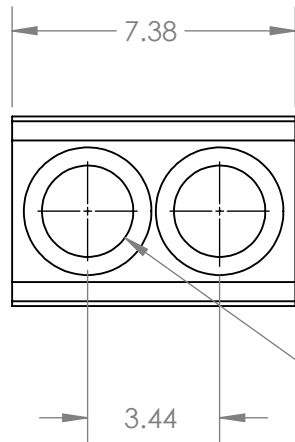
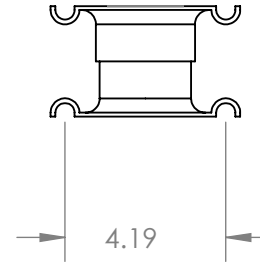
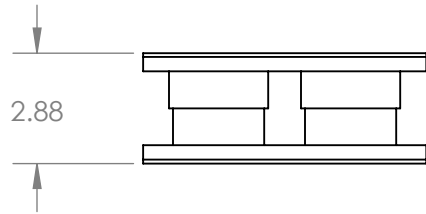
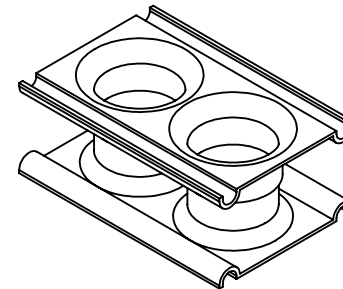


# T2A2-1010-2 7/8SW



Ø 2.38" HOLE FOR  
2" IPS CONDUIT



**PROPRIETARY AND CONFIDENTIAL**  
THE INFORMATION CONTAINED IN THIS DRAWING IS THE SOLE PROPERTY OF FORMEX MANUFACTURING. ANY REPRODUCTION IN PART OR AS A WHOLE WITHOUT THE WRITTEN PERMISSION OF FORMEX MANUFACTURING IS PROHIBITED.

UNLESS OTHERWISE SPECIFIED:

DIMENSIONS ARE IN INCHES  
TOLERANCES:  
FRACTIONAL  $\pm 1/32"$   
ANGULAR:  $\pm 2^\circ$   
TWO PLACE DECIMAL  $\pm 0.03"$   
THREE PLACE DECIMAL  $\pm 0.010"$

INTERPRET GEOMETRIC  
TOLERANCING PER:

MATERIAL  
ABS

FINISH  
GRAY / SMOOTH

DO NOT SCALE DRAWING

NAME

DATE

DRAWN HKF 6/28/2024

CHECKED

ENG APPR.

MFG APPR.

Q.A.

COMMENTS:

**Formex**<sup>®</sup>  
manufacturing, inc.

TITLE:

**TERMINATOR**

SIZE  
**A**

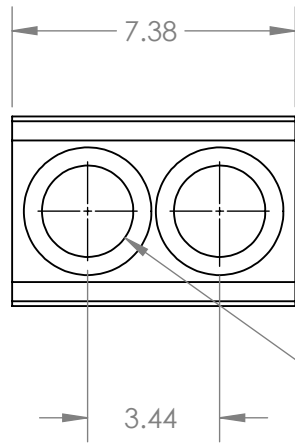
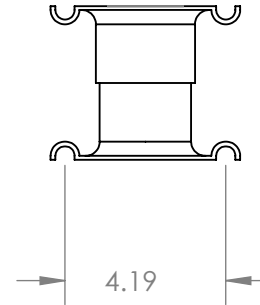
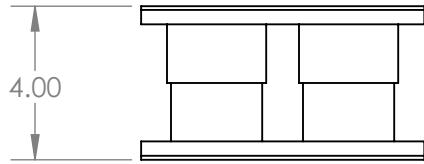
DWG. NO.  
FX-3753-A

REV  
**A**

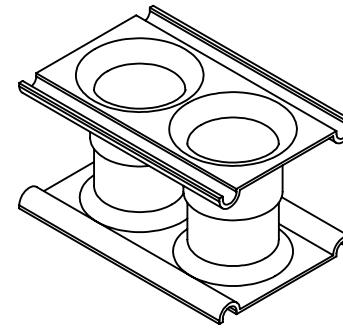
SCALE: 1:5

SHEET 1 OF 314

# T2A2-1010-4SW



Ø 2.38" HOLE FOR  
2" IPS CONDUIT



**PROPRIETARY AND CONFIDENTIAL**  
THE INFORMATION CONTAINED IN THIS DRAWING IS THE SOLE PROPERTY OF FORMEX MANUFACTURING. ANY REPRODUCTION IN PART OR AS A WHOLE WITHOUT THE WRITTEN PERMISSION OF FORMEX MANUFACTURING IS PROHIBITED.

UNLESS OTHERWISE SPECIFIED:		NAME	DATE
DIMENSIONS ARE IN INCHES TOLERANCES: FRACTIONAL $\pm 1/32"$ ANGULAR: $\pm 2^\circ$ TWO PLACE DECIMAL $\pm 0.03"$ THREE PLACE DECIMAL $\pm 0.010"$	DRAWN	HKF	6/28/2024
	CHECKED		
	ENG APPR.		
	MFG APPR.		
INTERPRET GEOMETRIC TOLERANCING PER:	Q.A.		
MATERIAL ABS	COMMENTS:		
FINISH GRAY / SMOOTH			
DO NOT SCALE DRAWING			

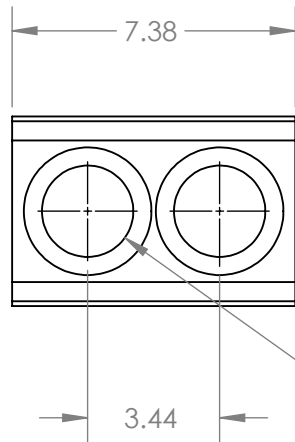
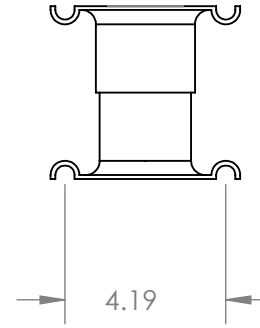
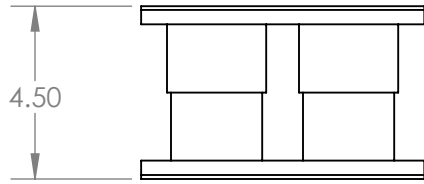
**Formex**<sup>®</sup>  
manufacturing, inc.

TITLE:  
**TERMINATOR**

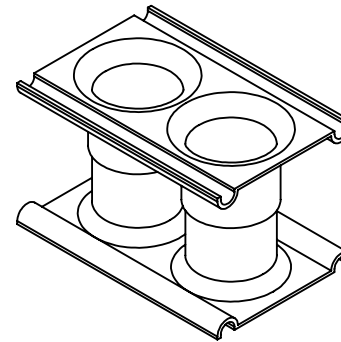
SIZE <b>A</b>	DWG. NO. FX-3753-A	REV <b>A</b>
------------------	-----------------------	-----------------

SCALE: 1:5 SHEET 2 OF 314

# T2A2-1010-4 1/2SW



Ø 2.38" HOLE FOR  
2" IPS CONDUIT



**PROPRIETARY AND CONFIDENTIAL**  
THE INFORMATION CONTAINED IN THIS DRAWING IS THE SOLE PROPERTY OF FORMEX MANUFACTURING. ANY REPRODUCTION IN PART OR AS A WHOLE WITHOUT THE WRITTEN PERMISSION OF FORMEX MANUFACTURING IS PROHIBITED.

UNLESS OTHERWISE SPECIFIED:		NAME	DATE
DIMENSIONS ARE IN INCHES	DRAWN	HKF	6/28/2024
TOLERANCES:	CHECKED		
FRACTIONAL ±1/32"	ENG APPR.		
ANGULAR: ±2°	MFG APPR.		
TWO PLACE DECIMAL ±0.03"	Q.A.		
THREE PLACE DECIMAL ±0.010"	COMMENTS:		
INTERPRET GEOMETRIC TOLERANCING PER:			
MATERIAL			
ABS			
FINISH			
GRAY / SMOOTH			
DO NOT SCALE DRAWING			

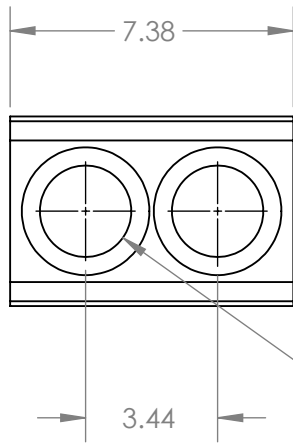
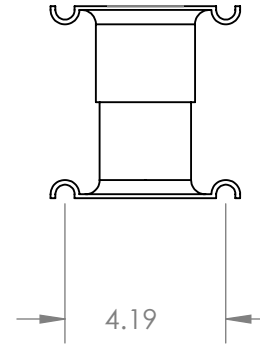
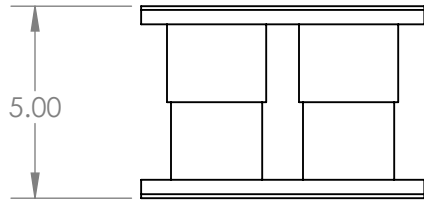
**Formex**<sup>®</sup>  
manufacturing, inc.

TITLE:  
**TERMINATOR**

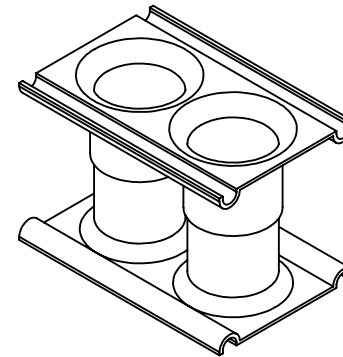
SIZE <b>A</b>	DWG. NO. FX-3753-A	REV <b>A</b>
------------------	-----------------------	-----------------

SCALE: 1:5 SHEET 3 OF 314

# T2A2-1010-5SW



Ø 2.38" HOLE FOR  
2" IPS CONDUIT



**PROPRIETARY AND CONFIDENTIAL**  
THE INFORMATION CONTAINED IN THIS DRAWING IS THE SOLE PROPERTY OF FORMEX MANUFACTURING. ANY REPRODUCTION IN PART OR AS A WHOLE WITHOUT THE WRITTEN PERMISSION OF FORMEX MANUFACTURING IS PROHIBITED.

UNLESS OTHERWISE SPECIFIED:

DIMENSIONS ARE IN INCHES  
TOLERANCES:  
FRACTIONAL  $\pm 1/32"$   
ANGULAR:  $\pm 2^\circ$   
TWO PLACE DECIMAL  $\pm 0.03"$   
THREE PLACE DECIMAL  $\pm 0.010"$

INTERPRET GEOMETRIC  
TOLERANCING PER:

MATERIAL  
ABS

FINISH  
GRAY / SMOOTH

DO NOT SCALE DRAWING

	NAME	DATE
DRAWN	HKF	6/28/2024
CHECKED		
ENG APPR.		
MFG APPR.		
Q.A.		
COMMENTS:		

**Formex**<sup>®</sup>  
manufacturing, inc.

TITLE:

**TERMINATOR**

SIZE  
**A**

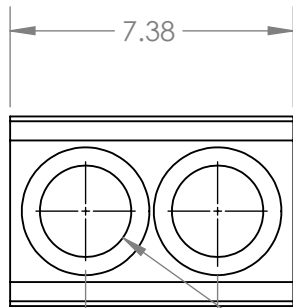
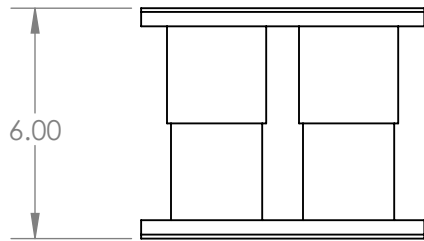
DWG. NO.  
FX-3753-A

REV  
**A**

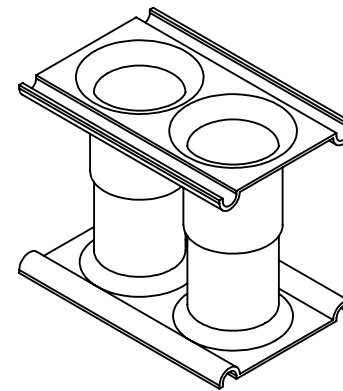
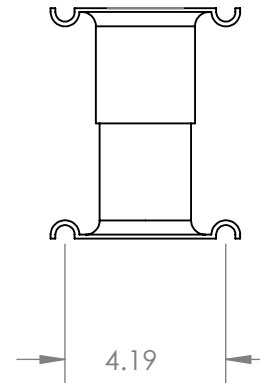
SCALE: 1:5

SHEET 4 OF 314

# T2A2-1010-6SW



Ø 2.38" HOLE FOR  
2" IPS CONDUIT



**PROPRIETARY AND CONFIDENTIAL**  
THE INFORMATION CONTAINED IN THIS DRAWING IS THE SOLE PROPERTY OF FORMEX MANUFACTURING. ANY REPRODUCTION IN PART OR AS A WHOLE WITHOUT THE WRITTEN PERMISSION OF FORMEX MANUFACTURING IS PROHIBITED.

UNLESS OTHERWISE SPECIFIED:

DIMENSIONS ARE IN INCHES  
TOLERANCES:  
FRACTIONAL  $\pm 1/32"$   
ANGULAR:  $\pm 2^\circ$   
TWO PLACE DECIMAL  $\pm 0.03"$   
THREE PLACE DECIMAL  $\pm 0.010"$

INTERPRET GEOMETRIC  
TOLERANCING PER:

MATERIAL  
ABS

FINISH  
GRAY / SMOOTH

DO NOT SCALE DRAWING

	NAME	DATE
DRAWN	HKF	6/28/2024
CHECKED		
ENG APPR.		
MFG APPR.		
Q.A.		
COMMENTS:		

**Formex**<sup>®</sup>  
manufacturing, inc.

TITLE:

**TERMINATOR**

SIZE  
**A**

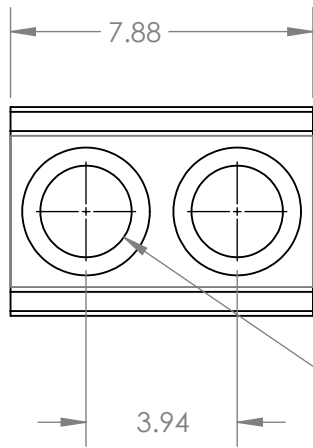
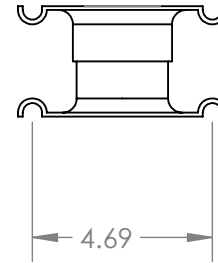
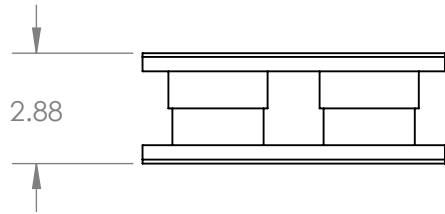
DWG. NO.  
FX-3753-A

REV  
**A**

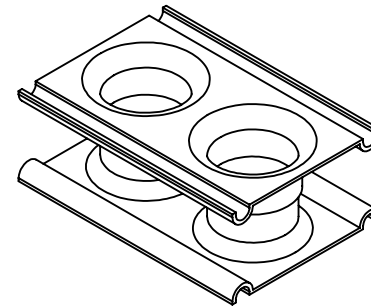
SCALE: 1:5

SHEET 5 OF 314

# T2A2-1515-2 7/8SW



Ø 2.38" HOLE FOR  
2" IPS CONDUIT



**PROPRIETARY AND CONFIDENTIAL**  
THE INFORMATION CONTAINED IN THIS DRAWING IS THE SOLE PROPERTY OF FORMEX MANUFACTURING. ANY REPRODUCTION IN PART OR AS A WHOLE WITHOUT THE WRITTEN PERMISSION OF FORMEX MANUFACTURING IS PROHIBITED.

UNLESS OTHERWISE SPECIFIED:		NAME	DATE
DIMENSIONS ARE IN INCHES	DRAWN	HKF	6/28/2024
TOLERANCES:	CHECKED		
FRACTIONAL ±1/32"	ENG APPR.		
ANGULAR: ±2°	MFG APPR.		
TWO PLACE DECIMAL ±0.03"	Q.A.		
THREE PLACE DECIMAL ±0.010"	COMMENTS:		
INTERPRET GEOMETRIC TOLERANCING PER:			
MATERIAL			
ABS			
FINISH			
GRAY / SMOOTH			
DO NOT SCALE DRAWING			

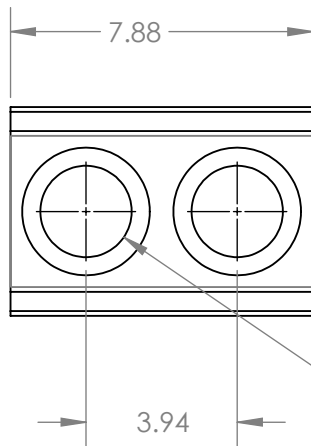
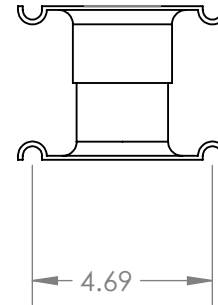
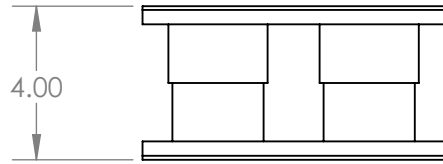
**Formex**<sup>®</sup>  
manufacturing, inc.

TITLE:  
**TERMINATOR**

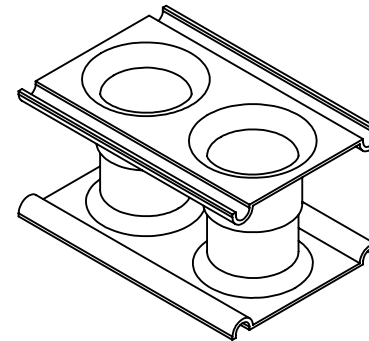
SIZE <b>A</b>	DWG. NO. FX-3753-A	REV <b>A</b>
------------------	-----------------------	-----------------

SCALE: 1:5 SHEET 6 OF 314

# T2A2-1515-4SW



Ø 2.38" HOLE FOR  
2" IPS CONDUIT



**PROPRIETARY AND CONFIDENTIAL**  
THE INFORMATION CONTAINED IN THIS DRAWING IS THE SOLE PROPERTY OF FORMEX MANUFACTURING. ANY REPRODUCTION IN PART OR AS A WHOLE WITHOUT THE WRITTEN PERMISSION OF FORMEX MANUFACTURING IS PROHIBITED.

UNLESS OTHERWISE SPECIFIED:		NAME	DATE
DIMENSIONS ARE IN INCHES TOLERANCES: FRACTIONAL ±1/32" ANGULAR: ±2° TWO PLACE DECIMAL ±0.03" THREE PLACE DECIMAL ±0.010"	DRAWN	HKF	6/28/2024
	CHECKED		
	ENG APPR.		
	MFG APPR.		
INTERPRET GEOMETRIC TOLERANCING PER:	Q.A.		
MATERIAL ABS	COMMENTS:		
FINISH GRAY / SMOOTH			
DO NOT SCALE DRAWING			

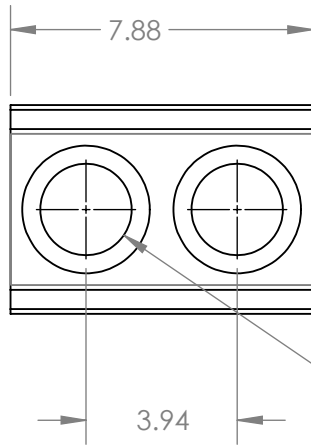
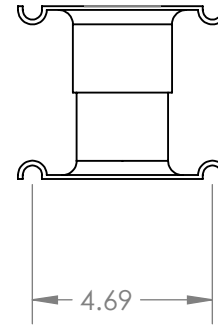
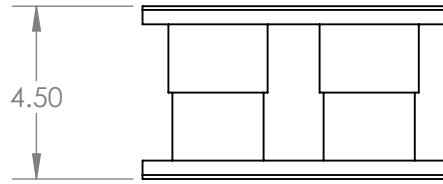
**Formex**<sup>®</sup>  
manufacturing, inc.

TITLE:  
**TERMINATOR**

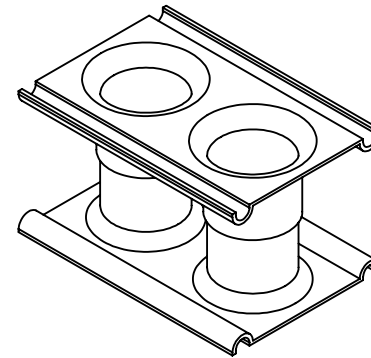
SIZE <b>A</b>	DWG. NO. FX-3753-A	REV <b>A</b>
------------------	-----------------------	-----------------

SCALE: 1:5 SHEET 7 OF 314

# T2A2-1515-4 1/2SW



Ø 2.38" HOLE FOR  
2" IPS CONDUIT



**PROPRIETARY AND CONFIDENTIAL**  
THE INFORMATION CONTAINED IN THIS DRAWING IS THE SOLE PROPERTY OF FORMEX MANUFACTURING. ANY REPRODUCTION IN PART OR AS A WHOLE WITHOUT THE WRITTEN PERMISSION OF FORMEX MANUFACTURING IS PROHIBITED.

UNLESS OTHERWISE SPECIFIED:		NAME	DATE
DIMENSIONS ARE IN INCHES TOLERANCES: FRACTIONAL ±1/32" ANGULAR: ±2° TWO PLACE DECIMAL ±0.03" THREE PLACE DECIMAL ±0.010"	DRAWN	HKF	6/28/2024
	CHECKED		
	ENG APPR.		
	MFG APPR.		
INTERPRET GEOMETRIC TOLERANCING PER:	Q.A.		
MATERIAL ABS	COMMENTS:		
FINISH GRAY / SMOOTH			
DO NOT SCALE DRAWING			

**Formex**<sup>®</sup>  
manufacturing, inc.

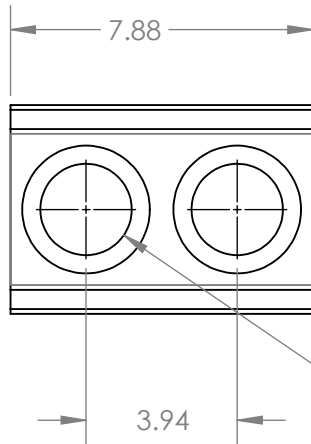
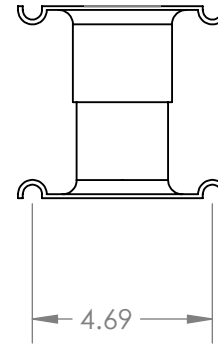
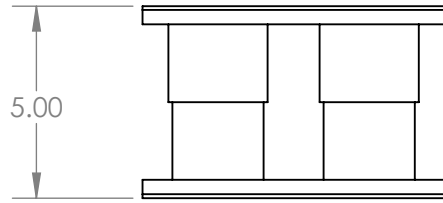
TITLE:  
**TERMINATOR**

SIZE <b>A</b>	DWG. NO. FX-3753-A	REV <b>A</b>
------------------	-----------------------	-----------------

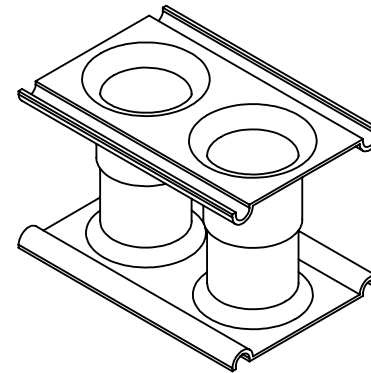
SCALE: 1:5 SHEET 8 OF 314



# T2A2-1515-5SW



Ø 2.38" HOLE FOR  
2" IPS CONDUIT



**PROPRIETARY AND CONFIDENTIAL**  
THE INFORMATION CONTAINED IN THIS DRAWING IS THE SOLE PROPERTY OF FORMEX MANUFACTURING. ANY REPRODUCTION IN PART OR AS A WHOLE WITHOUT THE WRITTEN PERMISSION OF FORMEX MANUFACTURING IS PROHIBITED.

UNLESS OTHERWISE SPECIFIED:		NAME	DATE
DIMENSIONS ARE IN INCHES	DRAWN	HKF	6/28/2024
TOLERANCES:	CHECKED		
FRACTIONAL ±1/32"	ENG APPR.		
ANGULAR: ±2°	MFG APPR.		
TWO PLACE DECIMAL ±0.03"	Q.A.		
THREE PLACE DECIMAL ±0.010"	COMMENTS:		
INTERPRET GEOMETRIC TOLERANCING PER:			
MATERIAL			
ABS			
FINISH			
GRAY / SMOOTH			
DO NOT SCALE DRAWING			

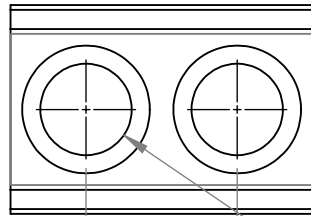
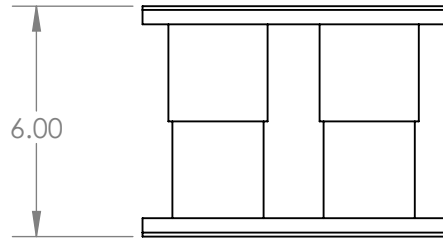
**Formex**<sup>®</sup>  
manufacturing, inc.

TITLE:  
**TERMINATOR**

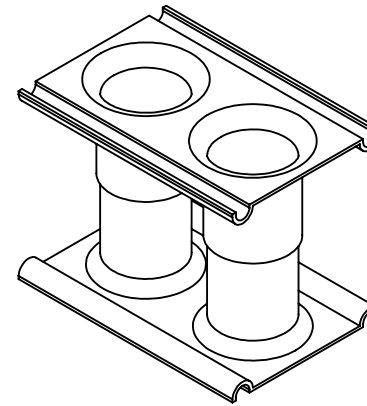
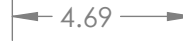
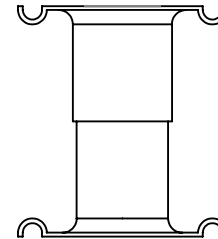
SIZE <b>A</b>	DWG. NO. FX-3753-A	REV <b>A</b>
------------------	-----------------------	-----------------

SCALE: 1:5 SHEET 9 OF 314

# T2A2-1515-5SW



Ø 2.38" HOLE FOR  
2" IPS CONDUIT



**PROPRIETARY AND CONFIDENTIAL**  
THE INFORMATION CONTAINED IN THIS DRAWING IS THE SOLE PROPERTY OF FORMEX MANUFACTURING. ANY REPRODUCTION IN PART OR AS A WHOLE WITHOUT THE WRITTEN PERMISSION OF FORMEX MANUFACTURING IS PROHIBITED.

UNLESS OTHERWISE SPECIFIED:		NAME	DATE
DIMENSIONS ARE IN INCHES TOLERANCES: FRACTIONAL ±1/32" ANGULAR: ±2° TWO PLACE DECIMAL ±0.03" THREE PLACE DECIMAL ±0.010"	DRAWN	HKF	6/28/2024
	CHECKED		
	ENG APPR.		
	MFG APPR.		
INTERPRET GEOMETRIC TOLERANCING PER:	Q.A.		
MATERIAL ABS	COMMENTS:		
FINISH GRAY / SMOOTH			
DO NOT SCALE DRAWING			

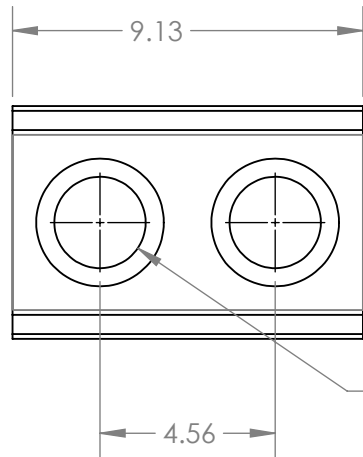
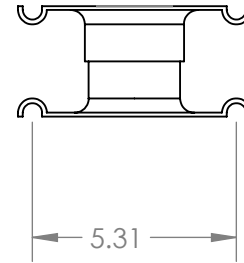
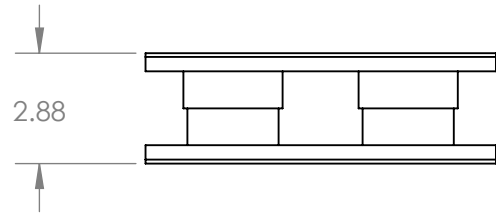
**Formex**<sup>®</sup>  
manufacturing, inc.

TITLE:  
**TERMINATOR**

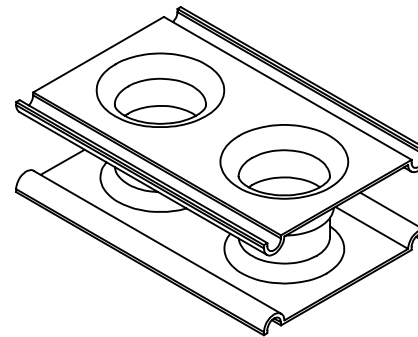
SIZE <b>A</b>	DWG. NO. FX-3753-A	REV <b>A</b>
------------------	-----------------------	-----------------

SCALE: 1:5 SHEET 10 OF 314

# T2A2-2020-2 7/8SW



Ø 2.38" HOLE FOR  
2" IPS CONDUIT



**PROPRIETARY AND CONFIDENTIAL**  
THE INFORMATION CONTAINED IN THIS DRAWING IS THE SOLE PROPERTY OF FORMEX MANUFACTURING. ANY REPRODUCTION IN PART OR AS A WHOLE WITHOUT THE WRITTEN PERMISSION OF FORMEX MANUFACTURING IS PROHIBITED.

UNLESS OTHERWISE SPECIFIED:		NAME	DATE
DIMENSIONS ARE IN INCHES	DRAWN	HKF	6/28/2024
TOLERANCES:	CHECKED		
FRACTIONAL ±1/32"	ENG APPR.		
ANGULAR: ±2°	MFG APPR.		
TWO PLACE DECIMAL ±0.03"	Q.A.		
THREE PLACE DECIMAL ±0.010"	COMMENTS:		
INTERPRET GEOMETRIC TOLERANCING PER:			
MATERIAL			
ABS			
FINISH			
GRAY / SMOOTH			
DO NOT SCALE DRAWING			

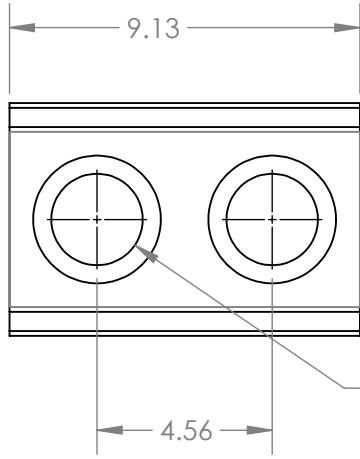
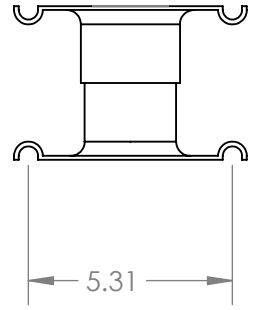
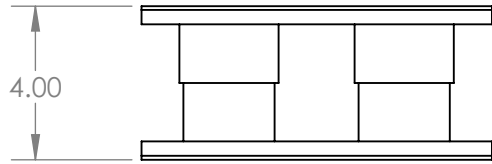
**Formex**<sup>®</sup>  
manufacturing, inc.

TITLE:  
**TERMINATOR**

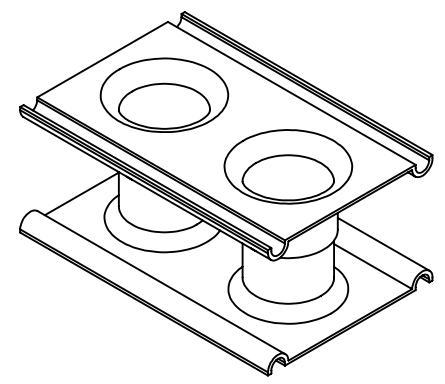
SIZE <b>A</b>	DWG. NO. FX-3753-A	REV <b>A</b>
------------------	-----------------------	-----------------

SCALE: 1:5 SHEET 11 OF 314

# T2A2-2020-4SW



Ø 2.38" HOLE FOR  
2" IPS CONDUIT



**PROPRIETARY AND CONFIDENTIAL**  
THE INFORMATION CONTAINED IN THIS DRAWING IS THE SOLE PROPERTY OF FORMEX MANUFACTURING. ANY REPRODUCTION IN PART OR AS A WHOLE WITHOUT THE WRITTEN PERMISSION OF FORMEX MANUFACTURING IS PROHIBITED.

UNLESS OTHERWISE SPECIFIED:	NAME	DATE
DIMENSIONS ARE IN INCHES	DRAWN	HKF 6/28/2024
TOLERANCES:	CHECKED	
FRACTIONAL ±1/32"	ENG APPR.	
ANGULAR: ±2°	MFG APPR.	
TWO PLACE DECIMAL ±0.03"	Q.A.	
THREE PLACE DECIMAL ±0.010"	COMMENTS:	
INTERPRET GEOMETRIC TOLERANCING PER:		
MATERIAL		
ABS		
FINISH		
GRAY / SMOOTH		
DO NOT SCALE DRAWING		

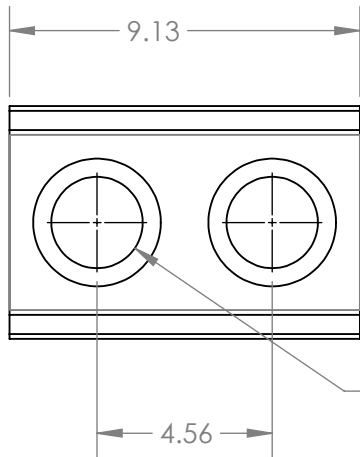
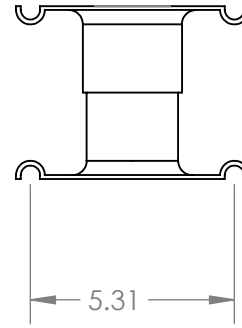
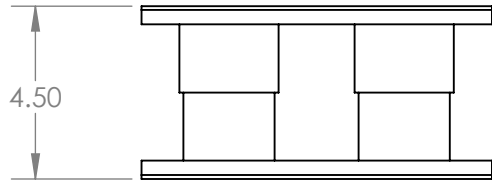
**Formex**<sup>®</sup>  
manufacturing, inc.

TITLE:  
**TERMINATOR**

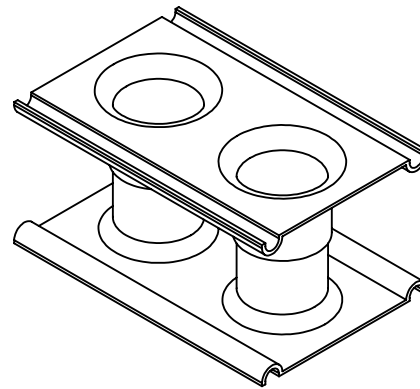
SIZE <b>A</b>	DWG. NO. FX-3753-A	REV <b>A</b>
------------------	-----------------------	-----------------

SCALE: 1:5 SHEET 12 OF 314

# T2A2-2020-4 1/2SW



Ø 2.38" HOLE FOR  
2" IPS CONDUIT



**PROPRIETARY AND CONFIDENTIAL**  
THE INFORMATION CONTAINED IN THIS DRAWING IS THE SOLE PROPERTY OF FORMEX MANUFACTURING. ANY REPRODUCTION IN PART OR AS A WHOLE WITHOUT THE WRITTEN PERMISSION OF FORMEX MANUFACTURING IS PROHIBITED.

UNLESS OTHERWISE SPECIFIED:		NAME	DATE
DIMENSIONS ARE IN INCHES TOLERANCES: FRACTIONAL ±1/32" ANGULAR: ±2° TWO PLACE DECIMAL ±0.03" THREE PLACE DECIMAL ±0.010"	DRAWN	HKF	6/28/2024
	CHECKED		
	ENG APPR.		
	MFG APPR.		
INTERPRET GEOMETRIC TOLERANCING PER:	Q.A.		
MATERIAL ABS	COMMENTS:		
FINISH GRAY / SMOOTH			
DO NOT SCALE DRAWING			

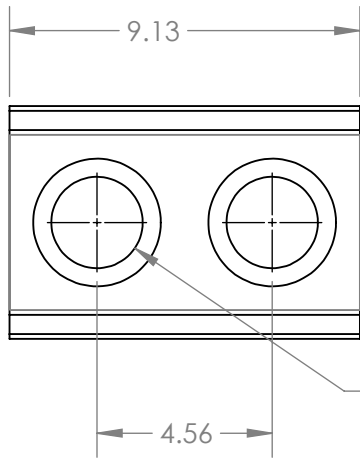
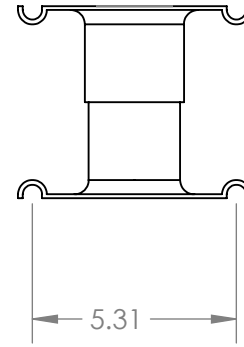
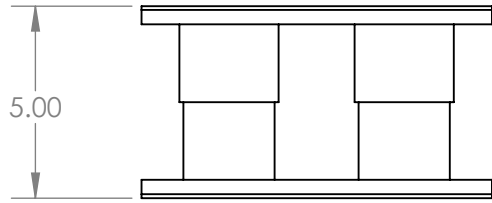
**Formex**<sup>®</sup>  
manufacturing, inc.

TITLE:  
**TERMINATOR**

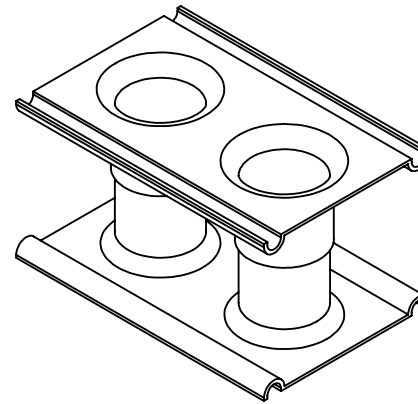
SIZE <b>A</b>	DWG. NO. FX-3753-A	REV <b>A</b>
------------------	-----------------------	-----------------

SCALE: 1:5 SHEET 13 OF 314

# T2A2-2020-5SW



Ø 2.38" HOLE FOR  
2" IPS CONDUIT



**PROPRIETARY AND CONFIDENTIAL**  
THE INFORMATION CONTAINED IN THIS DRAWING IS THE SOLE PROPERTY OF FORMEX MANUFACTURING. ANY REPRODUCTION IN PART OR AS A WHOLE WITHOUT THE WRITTEN PERMISSION OF FORMEX MANUFACTURING IS PROHIBITED.

UNLESS OTHERWISE SPECIFIED:		NAME	DATE
DIMENSIONS ARE IN INCHES TOLERANCES: FRACTIONAL $\pm 1/32"$ ANGULAR: $\pm 2^\circ$ TWO PLACE DECIMAL $\pm 0.03"$ THREE PLACE DECIMAL $\pm 0.010"$	DRAWN	HKF	6/28/2024
	CHECKED		
	ENG APPR.		
	MFG APPR.		
INTERPRET GEOMETRIC TOLERANCING PER:	Q.A.		
MATERIAL ABS	COMMENTS:		
FINISH GRAY / SMOOTH			
DO NOT SCALE DRAWING			

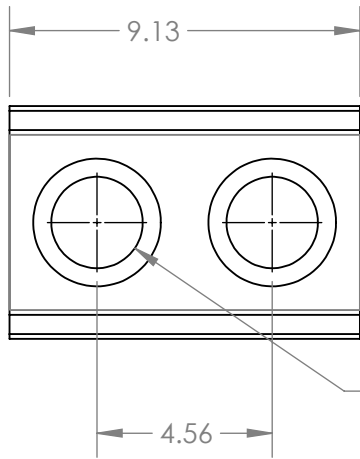
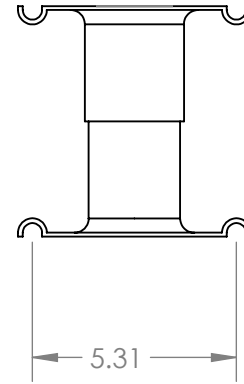
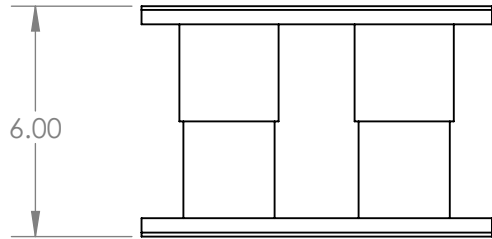
**Formex**<sup>®</sup>  
manufacturing, inc.

TITLE:  
**TERMINATOR**

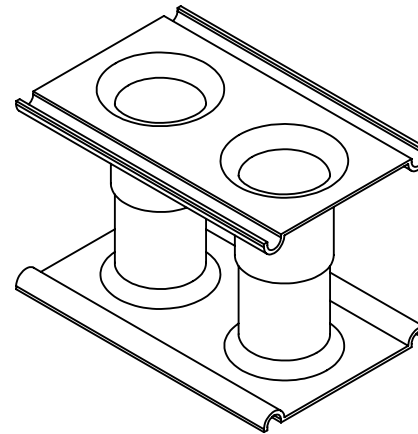
SIZE <b>A</b>	DWG. NO. FX-3753-A	REV <b>A</b>
------------------	-----------------------	-----------------

SCALE: 1:5 SHEET 14 OF 314

# T2A2-2020-6SW



Ø 2.38" HOLE FOR  
2" IPS CONDUIT



**PROPRIETARY AND CONFIDENTIAL**  
THE INFORMATION CONTAINED IN THIS DRAWING IS THE SOLE PROPERTY OF FORMEX MANUFACTURING. ANY REPRODUCTION IN PART OR AS A WHOLE WITHOUT THE WRITTEN PERMISSION OF FORMEX MANUFACTURING IS PROHIBITED.

UNLESS OTHERWISE SPECIFIED:		NAME	DATE
DIMENSIONS ARE IN INCHES TOLERANCES: FRACTIONAL ±1/32" ANGULAR: ±2° TWO PLACE DECIMAL ±0.03" THREE PLACE DECIMAL ±0.010"	DRAWN	HKF	6/28/2024
	CHECKED		
	ENG APPR.		
	MFG APPR.		
INTERPRET GEOMETRIC TOLERANCING PER:	Q.A.		
MATERIAL ABS	COMMENTS:		
FINISH GRAY / SMOOTH			
DO NOT SCALE DRAWING			

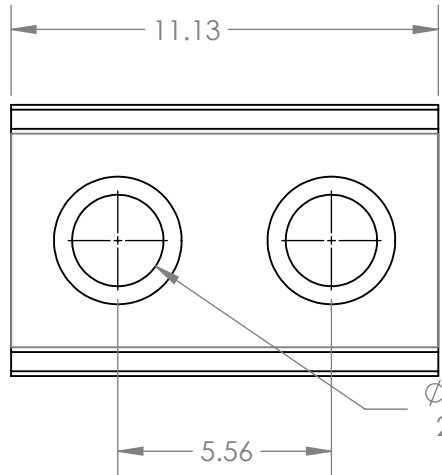
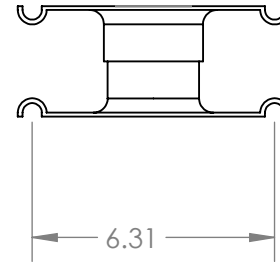
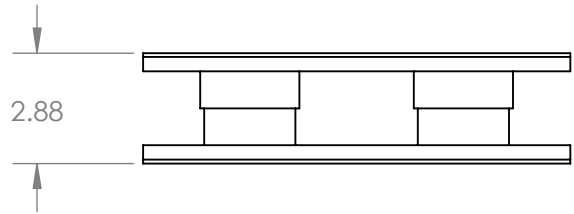
**Formex**<sup>®</sup>  
manufacturing, inc.

TITLE:  
**TERMINATOR**

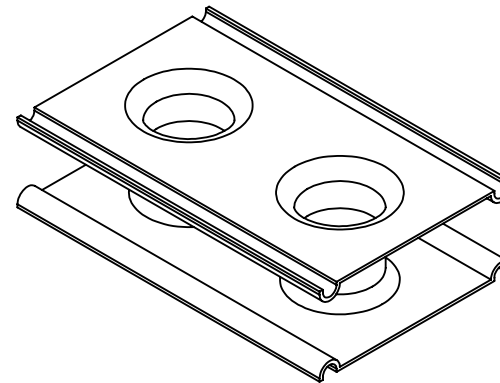
SIZE <b>A</b>	DWG. NO. FX-3753-A	REV <b>A</b>
------------------	-----------------------	-----------------

SCALE: 1:5 SHEET 15 OF 314

# T2A2-3030-2 7/8SW



Ø 2.38" HOLE FOR  
2" IPS CONDUIT



**PROPRIETARY AND CONFIDENTIAL**  
THE INFORMATION CONTAINED IN THIS DRAWING IS THE SOLE PROPERTY OF FORMEX MANUFACTURING. ANY REPRODUCTION IN PART OR AS A WHOLE WITHOUT THE WRITTEN PERMISSION OF FORMEX MANUFACTURING IS PROHIBITED.

UNLESS OTHERWISE SPECIFIED:		NAME	DATE
DIMENSIONS ARE IN INCHES	DRAWN	HKF	6/28/2024
TOLERANCES:	CHECKED		
FRACTIONAL ±1/32"	ENG APPR.		
ANGULAR: ±2°	MFG APPR.		
TWO PLACE DECIMAL ±0.03"	Q.A.		
THREE PLACE DECIMAL ±0.010"	COMMENTS:		
INTERPRET GEOMETRIC TOLERANCING PER:			
MATERIAL			
ABS			
FINISH			
GRAY / SMOOTH			
DO NOT SCALE DRAWING			

**Formex**<sup>®</sup>  
manufacturing, inc.

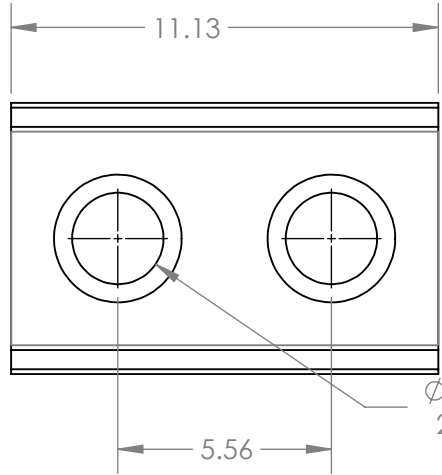
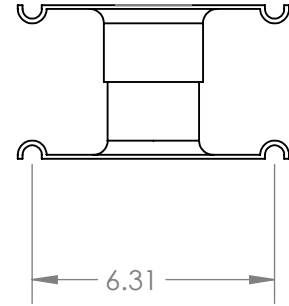
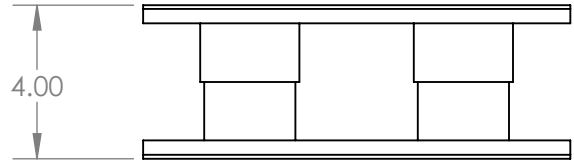
TITLE:  
**TERMINATOR**

SIZE <b>A</b>	DWG. NO. FX-3753-A	REV <b>A</b>
------------------	-----------------------	-----------------

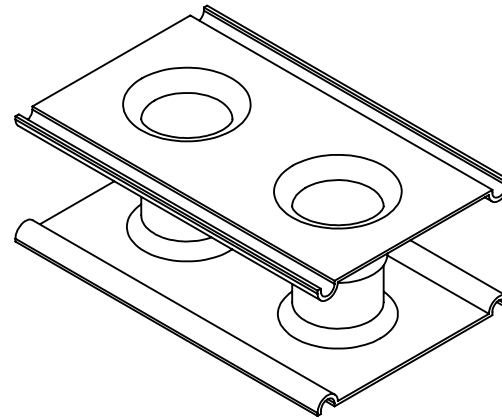
SCALE: 1:5 SHEET 16 OF 314



# T2A2-3030-4SW



Ø 2.38" HOLE FOR  
2" IPS CONDUIT



**PROPRIETARY AND CONFIDENTIAL**  
THE INFORMATION CONTAINED IN THIS DRAWING IS THE SOLE PROPERTY OF FORMEX MANUFACTURING. ANY REPRODUCTION IN PART OR AS A WHOLE WITHOUT THE WRITTEN PERMISSION OF FORMEX MANUFACTURING IS PROHIBITED.

UNLESS OTHERWISE SPECIFIED:		NAME	DATE
DIMENSIONS ARE IN INCHES TOLERANCES: FRACTIONAL $\pm 1/32"$ ANGULAR: $\pm 2^\circ$ TWO PLACE DECIMAL $\pm 0.03"$ THREE PLACE DECIMAL $\pm 0.010"$	DRAWN	HKF	6/28/2024
	CHECKED		
	ENG APPR.		
	MFG APPR.		
INTERPRET GEOMETRIC TOLERANCING PER:	Q.A.		
MATERIAL ABS	COMMENTS:		
FINISH GRAY / SMOOTH			
DO NOT SCALE DRAWING			

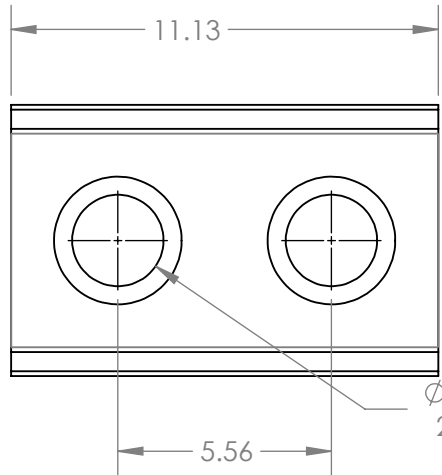
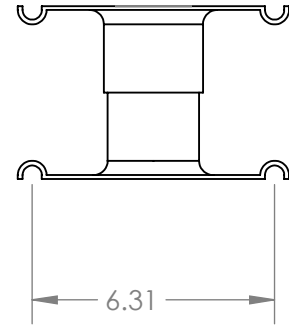
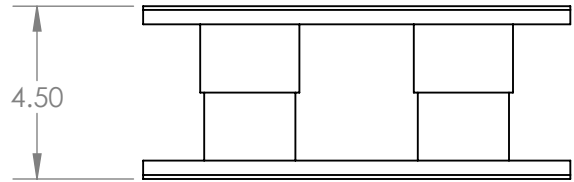
**Formex**<sup>®</sup>  
manufacturing, inc.

TITLE:  
**TERMINATOR**

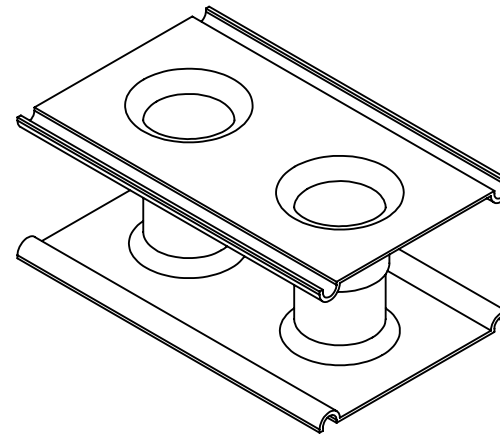
SIZE <b>A</b>	DWG. NO. FX-3753-A	REV <b>A</b>
------------------	-----------------------	-----------------

SCALE: 1:5 SHEET 17 OF 314

# T2A2-3030-4 1/2SW



Ø 2.38" HOLE FOR  
2" IPS CONDUIT



**PROPRIETARY AND CONFIDENTIAL**  
THE INFORMATION CONTAINED IN THIS DRAWING IS THE SOLE PROPERTY OF FORMEX MANUFACTURING. ANY REPRODUCTION IN PART OR AS A WHOLE WITHOUT THE WRITTEN PERMISSION OF FORMEX MANUFACTURING IS PROHIBITED.

UNLESS OTHERWISE SPECIFIED:		NAME	DATE
DIMENSIONS ARE IN INCHES	DRAWN	HKF	6/28/2024
TOLERANCES:	CHECKED		
FRACTIONAL ±1/32"	ENG APPR.		
ANGULAR: ±2°	MFG APPR.		
TWO PLACE DECIMAL ±0.03"	Q.A.		
THREE PLACE DECIMAL ±0.010"	COMMENTS:		
INTERPRET GEOMETRIC TOLERANCING PER:			
MATERIAL			
ABS			
FINISH			
GRAY / SMOOTH			
DO NOT SCALE DRAWING			

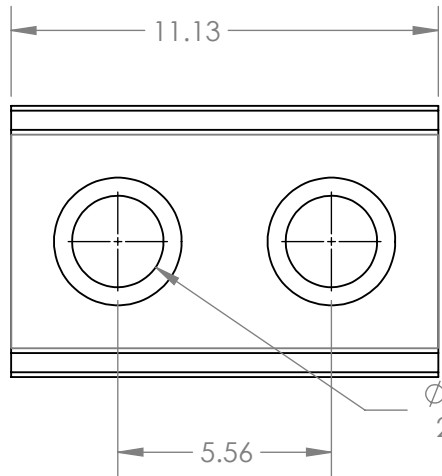
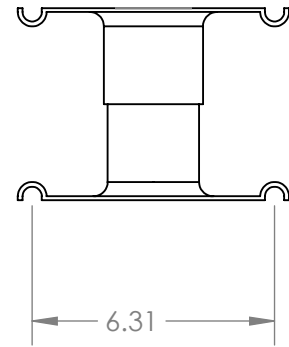
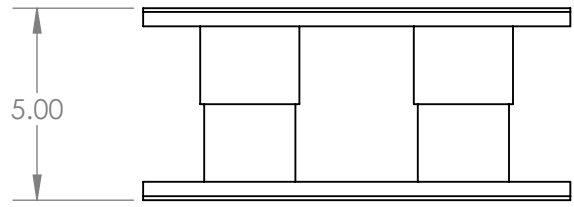
**Formex**<sup>®</sup>  
manufacturing, inc.

TITLE:  
**TERMINATOR**

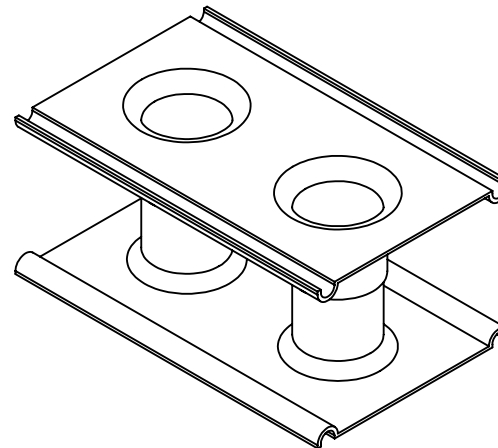
SIZE <b>A</b>	DWG. NO. FX-3753-A	REV <b>A</b>
------------------	-----------------------	-----------------

SCALE: 1:5 SHEET 18 OF 314

# T2A2-3030-5SW



Ø 2.38" HOLE FOR  
2" IPS CONDUIT



**PROPRIETARY AND CONFIDENTIAL**  
THE INFORMATION CONTAINED IN THIS DRAWING IS THE SOLE PROPERTY OF FORMEX MANUFACTURING. ANY REPRODUCTION IN PART OR AS A WHOLE WITHOUT THE WRITTEN PERMISSION OF FORMEX MANUFACTURING IS PROHIBITED.

UNLESS OTHERWISE SPECIFIED:		NAME	DATE
DIMENSIONS ARE IN INCHES	DRAWN	HKF	6/28/2024
TOLERANCES:	CHECKED		
FRACTIONAL ±1/32"	ENG APPR.		
ANGULAR: ±2°	MFG APPR.		
TWO PLACE DECIMAL ±0.03"	Q.A.		
THREE PLACE DECIMAL ±0.010"	COMMENTS:		
INTERPRET GEOMETRIC TOLERANCING PER:			
MATERIAL			
ABS			
FINISH			
GRAY / SMOOTH			
DO NOT SCALE DRAWING			

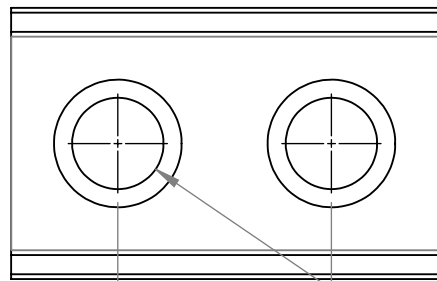
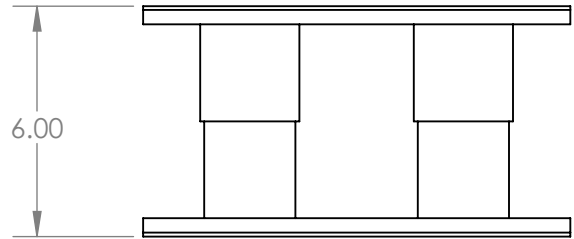
**Formex**<sup>®</sup>  
manufacturing, inc.

TITLE:  
**TERMINATOR**

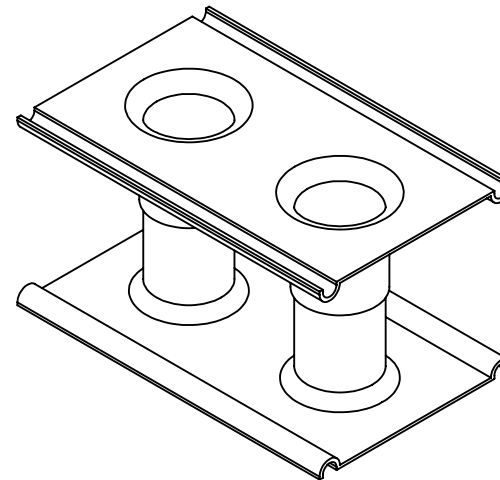
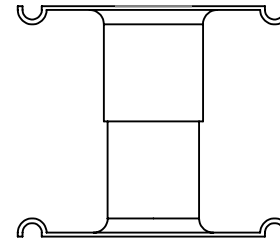
SIZE <b>A</b>	DWG. NO. FX-3753-A	REV <b>A</b>
------------------	-----------------------	-----------------

SCALE: 1:5 SHEET 19 OF 314

# T2A2-3030-6SW



Ø 2.38" HOLE FOR  
2" IPS CONDUIT



**PROPRIETARY AND CONFIDENTIAL**  
THE INFORMATION CONTAINED IN THIS DRAWING IS THE SOLE PROPERTY OF FORMEX MANUFACTURING. ANY REPRODUCTION IN PART OR AS A WHOLE WITHOUT THE WRITTEN PERMISSION OF FORMEX MANUFACTURING IS PROHIBITED.

UNLESS OTHERWISE SPECIFIED:		NAME	DATE
DIMENSIONS ARE IN INCHES TOLERANCES: FRACTIONAL ±1/32" ANGULAR: ±2° TWO PLACE DECIMAL ±0.03" THREE PLACE DECIMAL ±0.010"	DRAWN	HKF	6/28/2024
	CHECKED		
	ENG APPR.		
	MFG APPR.		
INTERPRET GEOMETRIC TOLERANCING PER:	Q.A.		
MATERIAL ABS	COMMENTS:		
FINISH GRAY / SMOOTH			
DO NOT SCALE DRAWING			

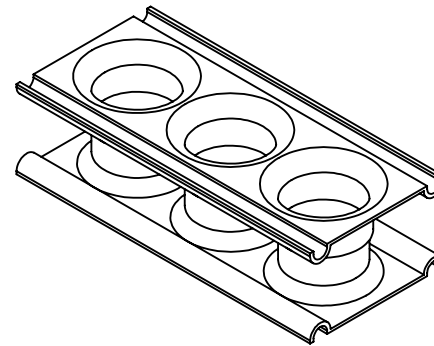
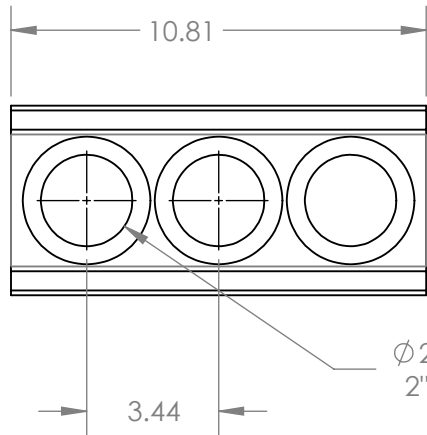
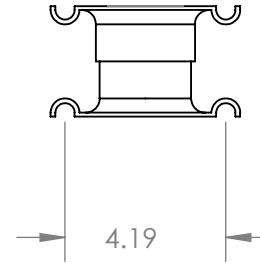
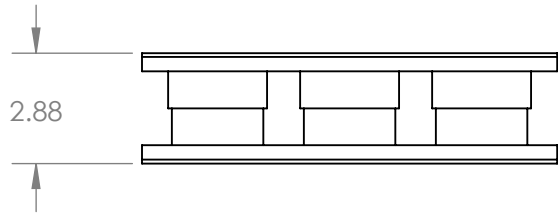
**Formex**<sup>®</sup>  
manufacturing, inc.

TITLE:  
**TERMINATOR**

SIZE <b>A</b>	DWG. NO. FX-3753-A	REV <b>A</b>
------------------	-----------------------	-----------------

SCALE: 1:5 SHEET 20 OF 314

# T2A3-1010-2 7/8SW



Ø2.38" HOLE FOR  
2" IPS CONDUIT

**PROPRIETARY AND CONFIDENTIAL**  
THE INFORMATION CONTAINED IN THIS DRAWING IS THE SOLE PROPERTY OF FORMEX MANUFACTURING. ANY REPRODUCTION IN PART OR AS A WHOLE WITHOUT THE WRITTEN PERMISSION OF FORMEX MANUFACTURING IS PROHIBITED.

UNLESS OTHERWISE SPECIFIED:		NAME	DATE
DIMENSIONS ARE IN INCHES TOLERANCES: FRACTIONAL $\pm 1/32"$ ANGULAR: $\pm 2^\circ$ TWO PLACE DECIMAL $\pm 0.03"$ THREE PLACE DECIMAL $\pm 0.010"$	DRAWN	HKF	6/28/2024
	CHECKED		
	ENG APPR.		
	MFG APPR.		
INTERPRET GEOMETRIC TOLERANCING PER:	Q.A.		
MATERIAL ABS	COMMENTS:		
FINISH GRAY / SMOOTH			
DO NOT SCALE DRAWING			

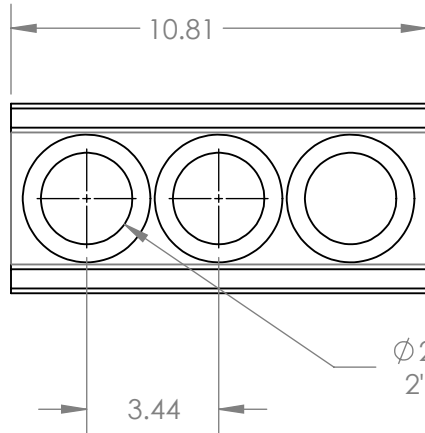
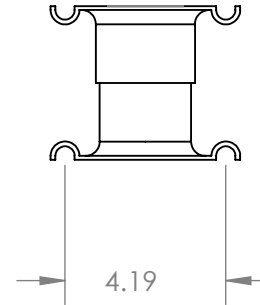
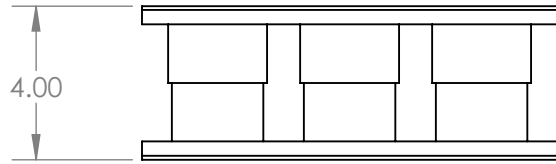
**Formex**<sup>®</sup>  
manufacturing, inc.

TITLE:  
**TERMINATOR**

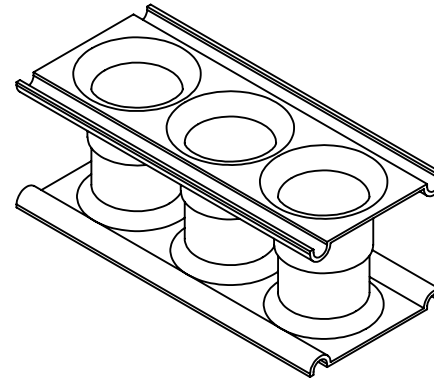
SIZE <b>A</b>	DWG. NO. FX-3753-A	REV <b>A</b>
------------------	-----------------------	-----------------

SCALE: 1:5 SHEET 21 OF 314

# T2A3-1010-4SW



Ø2.38" HOLE FOR  
2" IPS CONDUIT



**PROPRIETARY AND CONFIDENTIAL**  
THE INFORMATION CONTAINED IN THIS DRAWING IS THE SOLE PROPERTY OF FORMEX MANUFACTURING. ANY REPRODUCTION IN PART OR AS A WHOLE WITHOUT THE WRITTEN PERMISSION OF FORMEX MANUFACTURING IS PROHIBITED.

UNLESS OTHERWISE SPECIFIED:		NAME	DATE
DIMENSIONS ARE IN INCHES TOLERANCES: FRACTIONAL $\pm 1/32"$ ANGULAR: $\pm 2^\circ$ TWO PLACE DECIMAL $\pm 0.03"$ THREE PLACE DECIMAL $\pm 0.010"$	DRAWN	HKF	6/28/2024
	CHECKED		
	ENG APPR.		
	MFG APPR.		
INTERPRET GEOMETRIC TOLERANCING PER:	Q.A.		
MATERIAL ABS	COMMENTS:		
FINISH GRAY / SMOOTH			
DO NOT SCALE DRAWING			

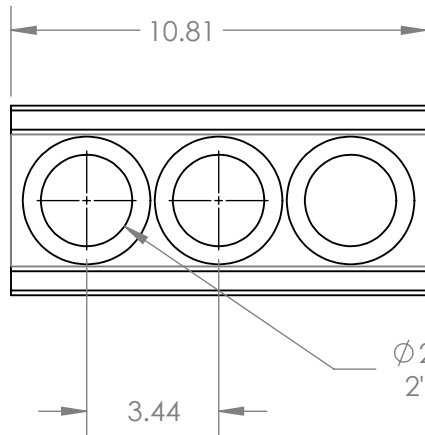
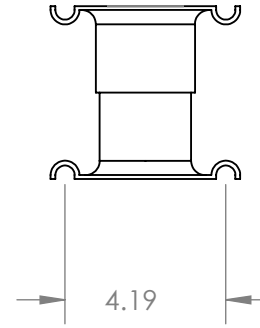
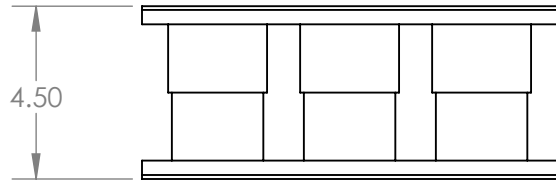
**Formex**<sup>®</sup>  
manufacturing, inc.

TITLE:  
**TERMINATOR**

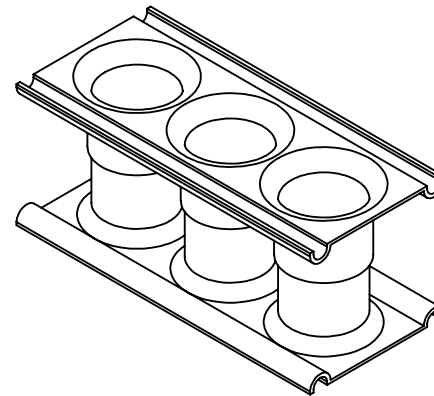
SIZE <b>A</b>	DWG. NO. FX-3753-A	REV <b>A</b>
------------------	-----------------------	-----------------

SCALE: 1:5 SHEET 22 OF 314

# T2A3-1010-4 1/2SW



Ø2.38" HOLE FOR  
2" IPS CONDUIT



**PROPRIETARY AND CONFIDENTIAL**  
THE INFORMATION CONTAINED IN THIS DRAWING IS THE SOLE PROPERTY OF FORMEX MANUFACTURING. ANY REPRODUCTION IN PART OR AS A WHOLE WITHOUT THE WRITTEN PERMISSION OF FORMEX MANUFACTURING IS PROHIBITED.

UNLESS OTHERWISE SPECIFIED:	NAME	DATE
DIMENSIONS ARE IN INCHES	DRAWN	HKF 6/28/2024
TOLERANCES:	CHECKED	
FRACTIONAL ±1/32"	ENG APPR.	
ANGULAR: ±2°	MFG APPR.	
TWO PLACE DECIMAL ±0.03"	Q.A.	
THREE PLACE DECIMAL ±0.010"	COMMENTS:	
INTERPRET GEOMETRIC TOLERANCING PER:		
MATERIAL		
ABS		
FINISH		
GRAY / SMOOTH		
DO NOT SCALE DRAWING		

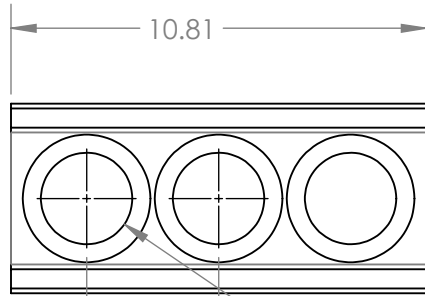
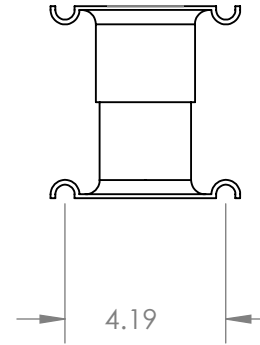
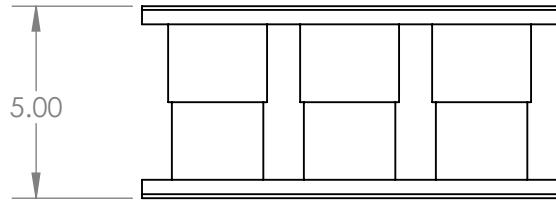
**Formex**<sup>®</sup>  
manufacturing, inc.

TITLE:  
**TERMINATOR**

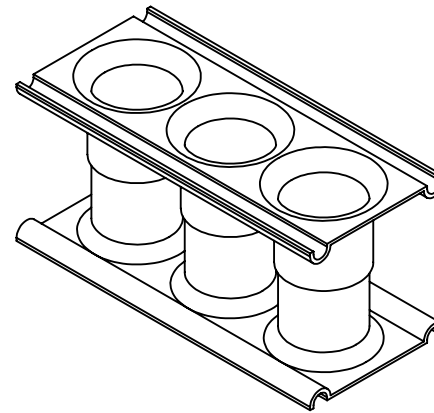
SIZE <b>A</b>	DWG. NO. FX-3753-A	REV <b>A</b>
------------------	-----------------------	-----------------

SCALE: 1:5 SHEET 23 OF 314

# T2A3-1010-5SW



Ø2.38" HOLE FOR  
2" IPS CONDUIT



**PROPRIETARY AND CONFIDENTIAL**  
THE INFORMATION CONTAINED IN THIS DRAWING IS THE SOLE PROPERTY OF FORMEX MANUFACTURING. ANY REPRODUCTION IN PART OR AS A WHOLE WITHOUT THE WRITTEN PERMISSION OF FORMEX MANUFACTURING IS PROHIBITED.

UNLESS OTHERWISE SPECIFIED:	NAME	DATE
DIMENSIONS ARE IN INCHES	DRAWN	HKF 6/28/2024
TOLERANCES:	CHECKED	
FRACTIONAL ±1/32"	ENG APPR.	
ANGULAR: ±2°	MFG APPR.	
TWO PLACE DECIMAL ±0.03"	Q.A.	
THREE PLACE DECIMAL ±0.010"	COMMENTS:	
INTERPRET GEOMETRIC TOLERANCING PER:		
MATERIAL		
ABS		
FINISH		
GRAY / SMOOTH		
DO NOT SCALE DRAWING		

**Formex**<sup>®</sup>  
manufacturing, inc.

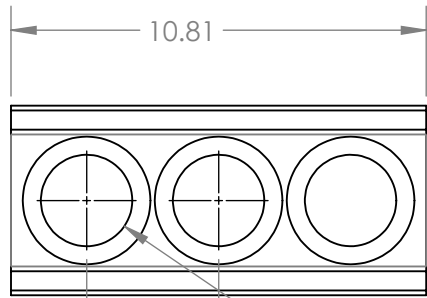
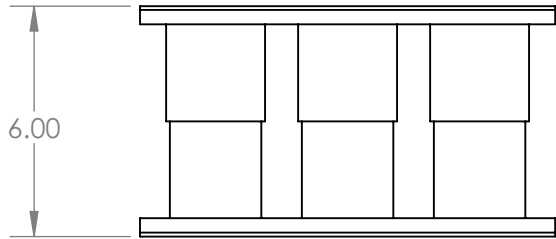
TITLE:  
**TERMINATOR**

SIZE <b>A</b>	DWG. NO. FX-3753-A	REV <b>A</b>
------------------	-----------------------	-----------------

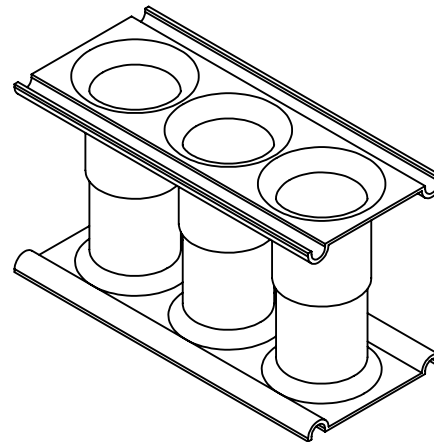
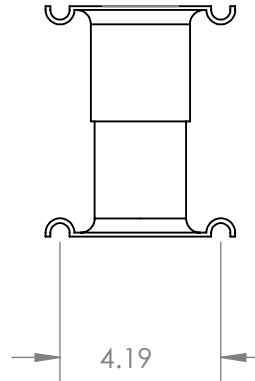
SCALE: 1:5 SHEET 24 OF 314



# T2A3-1010-6SW



Ø2.38" HOLE FOR  
2" IPS CONDUIT



**PROPRIETARY AND CONFIDENTIAL**  
THE INFORMATION CONTAINED IN THIS DRAWING IS THE SOLE PROPERTY OF FORMEX MANUFACTURING. ANY REPRODUCTION IN PART OR AS A WHOLE WITHOUT THE WRITTEN PERMISSION OF FORMEX MANUFACTURING IS PROHIBITED.

UNLESS OTHERWISE SPECIFIED:		NAME	DATE
DIMENSIONS ARE IN INCHES TOLERANCES: FRACTIONAL ±1/32" ANGULAR: ±2° TWO PLACE DECIMAL ±0.03" THREE PLACE DECIMAL ±0.010"	DRAWN	HKF	6/28/2024
	CHECKED		
	ENG APPR.		
	MFG APPR.		
INTERPRET GEOMETRIC TOLERANCING PER:	Q.A.		
MATERIAL ABS	COMMENTS:		
FINISH GRAY / SMOOTH			
DO NOT SCALE DRAWING			

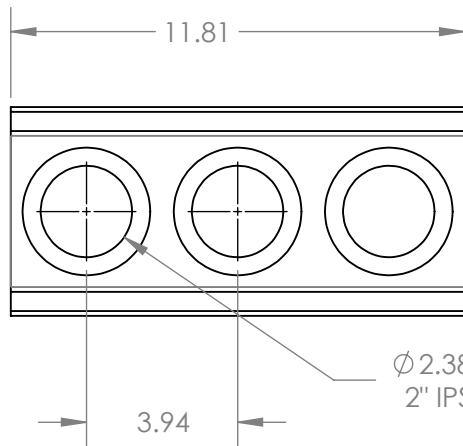
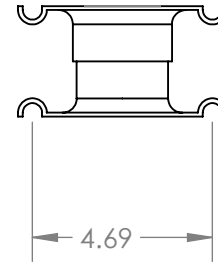
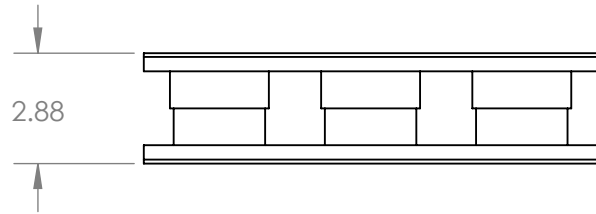
**Formex**<sup>®</sup>  
manufacturing, inc.

TITLE:  
**TERMINATOR**

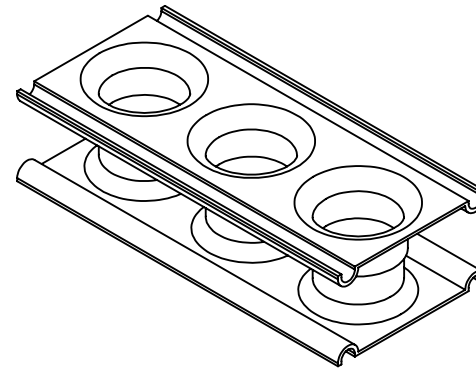
SIZE <b>A</b>	DWG. NO. FX-3753-A	REV <b>A</b>
------------------	-----------------------	-----------------

SCALE: 1:5 SHEET 25 OF 314

# T2A3-1515-2 7/8SW



Ø2.38" HOLE FOR  
2" IPS CONDUIT



**PROPRIETARY AND CONFIDENTIAL**  
THE INFORMATION CONTAINED IN THIS DRAWING IS THE SOLE PROPERTY OF FORMEX MANUFACTURING. ANY REPRODUCTION IN PART OR AS A WHOLE WITHOUT THE WRITTEN PERMISSION OF FORMEX MANUFACTURING IS PROHIBITED.

UNLESS OTHERWISE SPECIFIED:		NAME	DATE
DIMENSIONS ARE IN INCHES TOLERANCES: FRACTIONAL $\pm 1/32"$ ANGULAR: $\pm 2^\circ$ TWO PLACE DECIMAL $\pm 0.03"$ THREE PLACE DECIMAL $\pm 0.010"$	DRAWN	HKF	6/28/2024
	CHECKED		
	ENG APPR.		
	MFG APPR.		
INTERPRET GEOMETRIC TOLERANCING PER:	Q.A.		
MATERIAL ABS	COMMENTS:		
FINISH GRAY / SMOOTH			
DO NOT SCALE DRAWING			

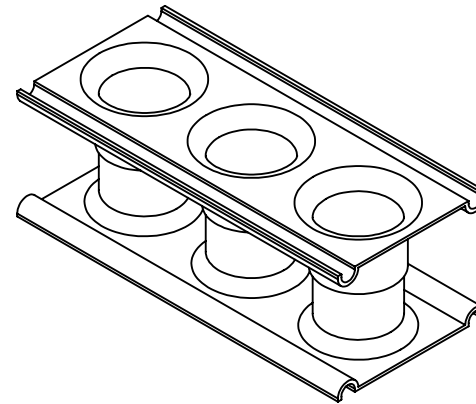
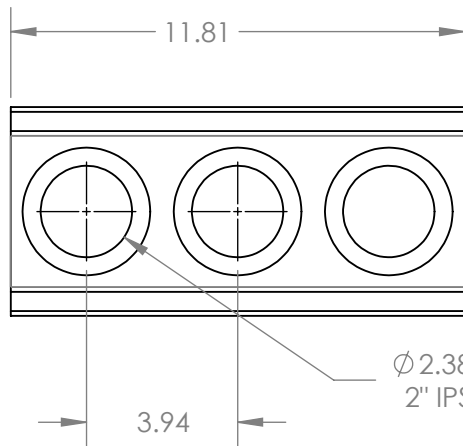
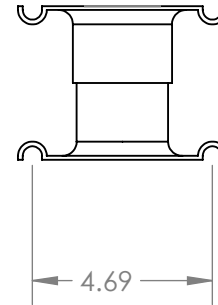
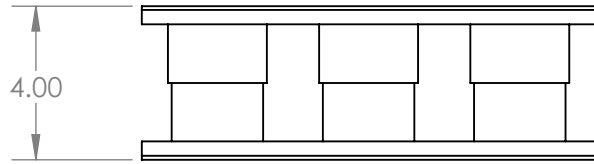
**Formex**<sup>®</sup>  
manufacturing, inc.

TITLE:  
**TERMINATOR**

SIZE <b>A</b>	DWG. NO. FX-3753-A	REV <b>A</b>
------------------	-----------------------	-----------------

SCALE: 1:5 SHEET 26 OF 314

# T2A3-1515-4SW



**PROPRIETARY AND CONFIDENTIAL**  
THE INFORMATION CONTAINED IN THIS DRAWING IS THE SOLE PROPERTY OF FORMEX MANUFACTURING. ANY REPRODUCTION IN PART OR AS A WHOLE WITHOUT THE WRITTEN PERMISSION OF FORMEX MANUFACTURING IS PROHIBITED.

UNLESS OTHERWISE SPECIFIED:		NAME	DATE
DIMENSIONS ARE IN INCHES TOLERANCES: FRACTIONAL ±1/32" ANGULAR: ±2° TWO PLACE DECIMAL ±0.03" THREE PLACE DECIMAL ±0.010"	DRAWN	HKF	6/28/2024
	CHECKED		
	ENG APPR.		
	MFG APPR.		
INTERPRET GEOMETRIC TOLERANCING PER:	Q.A.		
MATERIAL ABS	COMMENTS:		
FINISH GRAY / SMOOTH			
DO NOT SCALE DRAWING			

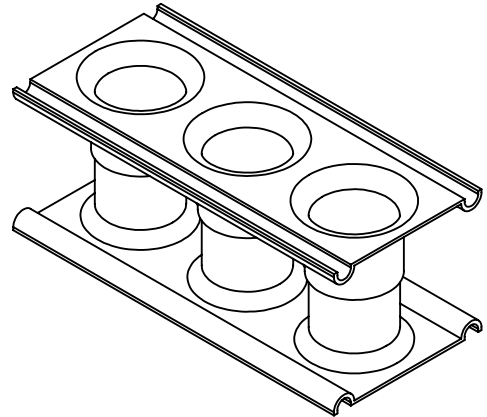
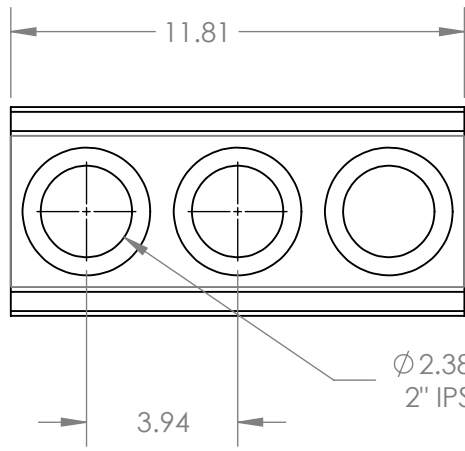
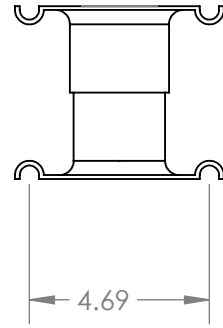
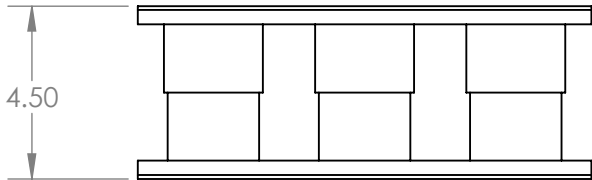
**Formex**<sup>®</sup>  
manufacturing, inc.

TITLE:  
**TERMINATOR**

SIZE <b>A</b>	DWG. NO. FX-3753-A	REV <b>A</b>
------------------	-----------------------	-----------------

SCALE: 1:5 SHEET 27 OF 314

# T2A3-1515-4 1/2SW



Ø2.38" HOLE FOR  
2" IPS CONDUIT

**PROPRIETARY AND CONFIDENTIAL**  
THE INFORMATION CONTAINED IN THIS DRAWING IS THE SOLE PROPERTY OF FORMEX MANUFACTURING. ANY REPRODUCTION IN PART OR AS A WHOLE WITHOUT THE WRITTEN PERMISSION OF FORMEX MANUFACTURING IS PROHIBITED.

UNLESS OTHERWISE SPECIFIED:	NAME	DATE
DIMENSIONS ARE IN INCHES	DRAWN	HKF 6/28/2024
TOLERANCES:	CHECKED	
FRACTIONAL ±1/32"	ENG APPR.	
ANGULAR: ±2°	MFG APPR.	
TWO PLACE DECIMAL ±0.03"	Q.A.	
THREE PLACE DECIMAL ±0.010"	COMMENTS:	
INTERPRET GEOMETRIC TOLERANCING PER:		
MATERIAL		
ABS		
FINISH		
GRAY / SMOOTH		
DO NOT SCALE DRAWING		

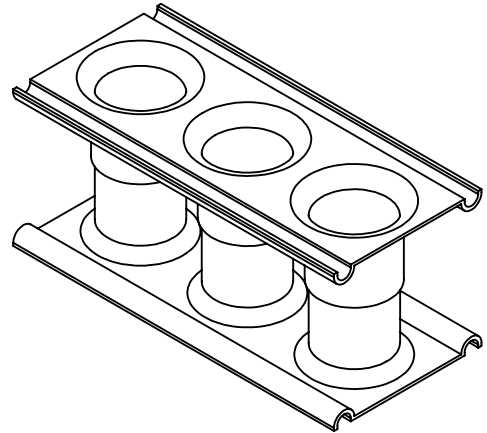
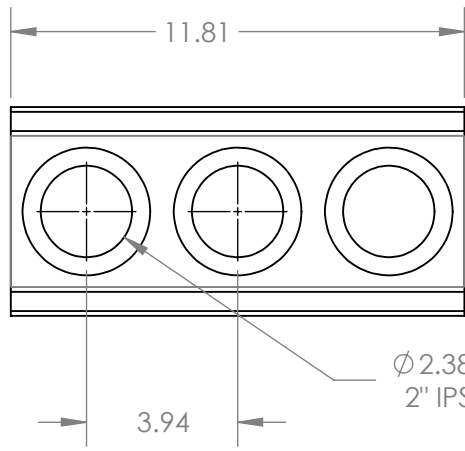
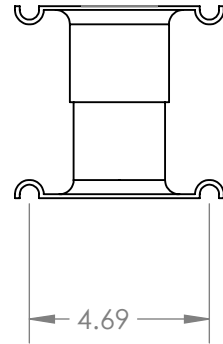
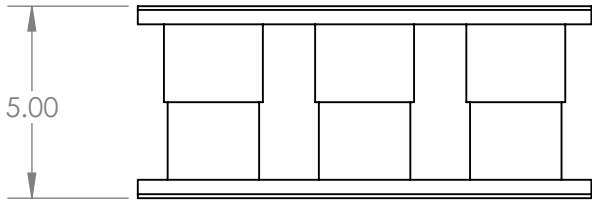
**Formex**<sup>®</sup>  
manufacturing, inc.

TITLE:  
**TERMINATOR**

SIZE <b>A</b>	DWG. NO. FX-3753-A	REV <b>A</b>
------------------	-----------------------	-----------------

SCALE: 1:5 SHEET 28 OF 314

# T2A3-1515-5SW



Ø2.38" HOLE FOR  
2" IPS CONDUIT

**PROPRIETARY AND CONFIDENTIAL**  
THE INFORMATION CONTAINED IN THIS DRAWING IS THE SOLE PROPERTY OF FORMEX MANUFACTURING. ANY REPRODUCTION IN PART OR AS A WHOLE WITHOUT THE WRITTEN PERMISSION OF FORMEX MANUFACTURING IS PROHIBITED.

UNLESS OTHERWISE SPECIFIED:	NAME	DATE
DIMENSIONS ARE IN INCHES	DRAWN	HKF 6/28/2024
TOLERANCES:	CHECKED	
FRACTIONAL ±1/32"	ENG APPR.	
ANGULAR: ±2°	MFG APPR.	
TWO PLACE DECIMAL ±0.03"	Q.A.	
THREE PLACE DECIMAL ±0.010"	COMMENTS:	
INTERPRET GEOMETRIC TOLERANCING PER:		
MATERIAL		
ABS		
FINISH		
GRAY / SMOOTH		
DO NOT SCALE DRAWING		

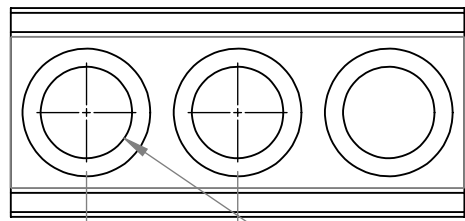
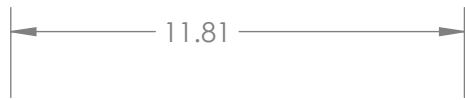
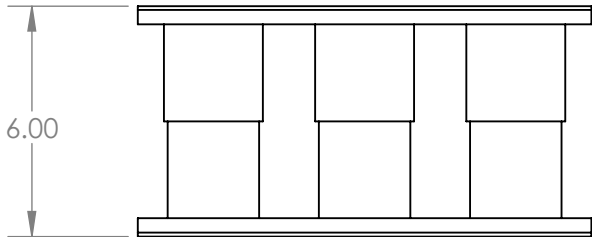
**Formex**<sup>®</sup>  
manufacturing, inc.

TITLE:  
**TERMINATOR**

SIZE <b>A</b>	DWG. NO. FX-3753-A	REV <b>A</b>
------------------	-----------------------	-----------------

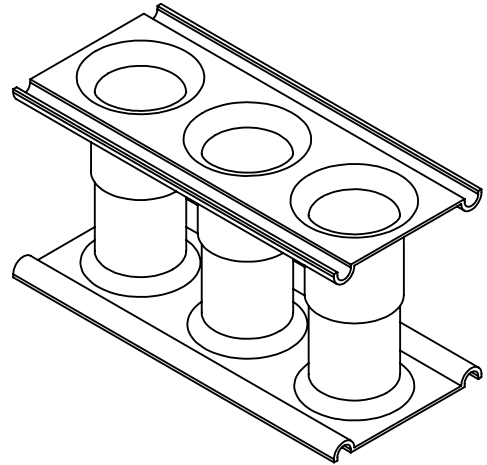
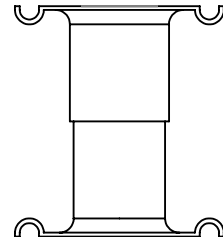
SCALE: 1:5 SHEET 29 OF 314

# T2A3-1515-6SW



3.94

Ø2.38" HOLE FOR  
2" IPS CONDUIT



**PROPRIETARY AND CONFIDENTIAL**  
THE INFORMATION CONTAINED IN THIS DRAWING IS THE SOLE PROPERTY OF FORMEX MANUFACTURING. ANY REPRODUCTION IN PART OR AS A WHOLE WITHOUT THE WRITTEN PERMISSION OF FORMEX MANUFACTURING IS PROHIBITED.

UNLESS OTHERWISE SPECIFIED:	NAME	DATE
DIMENSIONS ARE IN INCHES	DRAWN	HKF 6/28/2024
TOLERANCES:	CHECKED	
FRACTIONAL ±1/32"	ENG APPR.	
ANGULAR: ±2°	MFG APPR.	
TWO PLACE DECIMAL ±0.03"	Q.A.	
THREE PLACE DECIMAL ±0.010"	COMMENTS:	
INTERPRET GEOMETRIC TOLERANCING PER:		
MATERIAL		
ABS		
FINISH		
GRAY / SMOOTH		
DO NOT SCALE DRAWING		

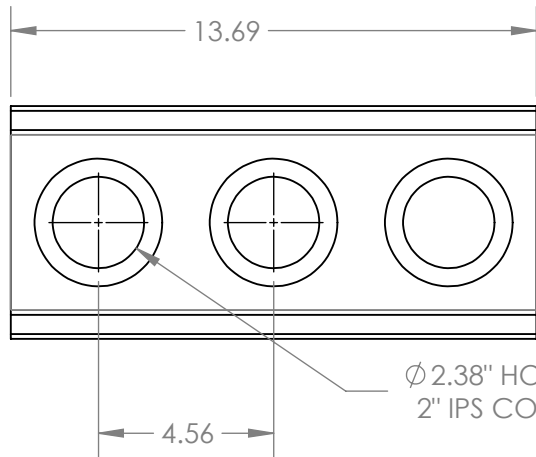
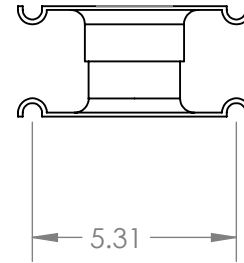
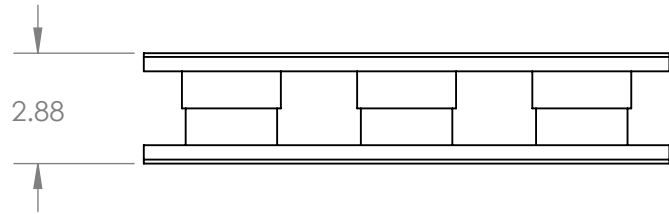
**Formex**<sup>®</sup>  
manufacturing, inc.

TITLE:  
**TERMINATOR**

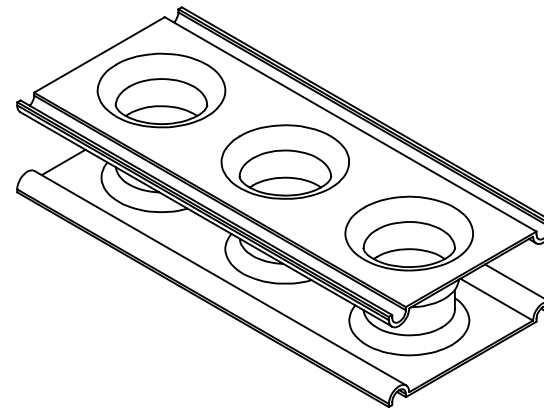
SIZE <b>A</b>	DWG. NO. FX-3753-A	REV <b>A</b>
------------------	-----------------------	-----------------

SCALE: 1:5 SHEET 30 OF 314

# T2A3-2020-2 7/8SW



Ø 2.38" HOLE FOR  
2" IPS CONDUIT



**PROPRIETARY AND CONFIDENTIAL**  
THE INFORMATION CONTAINED IN THIS DRAWING IS THE SOLE PROPERTY OF FORMEX MANUFACTURING. ANY REPRODUCTION IN PART OR AS A WHOLE WITHOUT THE WRITTEN PERMISSION OF FORMEX MANUFACTURING IS PROHIBITED.

UNLESS OTHERWISE SPECIFIED:		NAME	DATE
DIMENSIONS ARE IN INCHES TOLERANCES: FRACTIONAL $\pm 1/32"$ ANGULAR: $\pm 2^\circ$ TWO PLACE DECIMAL $\pm 0.03"$ THREE PLACE DECIMAL $\pm 0.010"$	DRAWN	HKF	6/28/2024
	CHECKED		
	ENG APPR.		
	MFG APPR.		
INTERPRET GEOMETRIC TOLERANCING PER:	Q.A.		
MATERIAL ABS	COMMENTS:		
FINISH GRAY / SMOOTH			
DO NOT SCALE DRAWING			

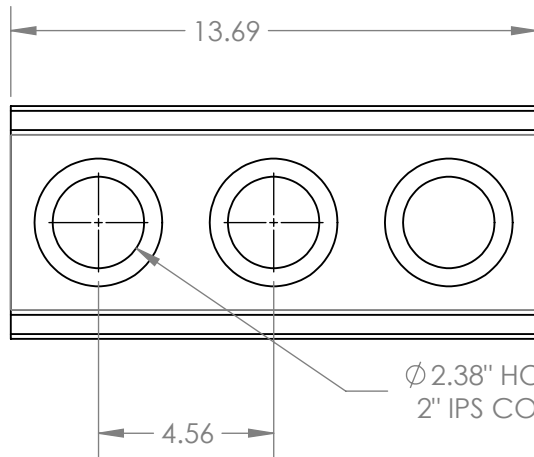
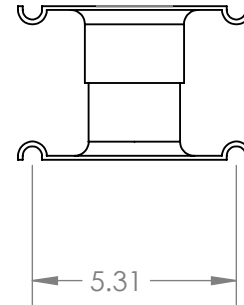
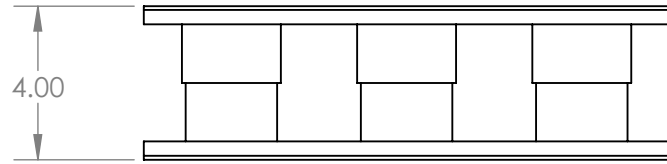
**Formex**<sup>®</sup>  
manufacturing, inc.

TITLE:  
**TERMINATOR**

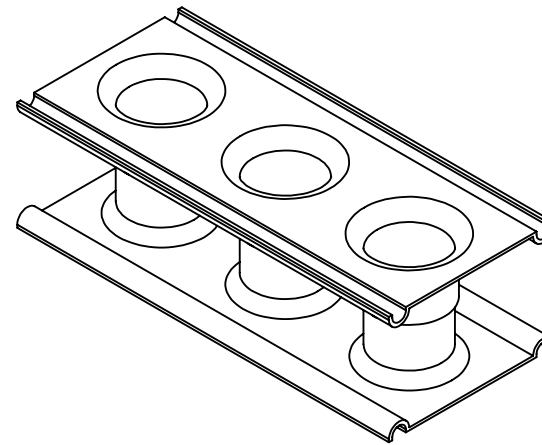
SIZE <b>A</b>	DWG. NO. FX-3753-A	REV <b>A</b>
------------------	-----------------------	-----------------

SCALE: 1:5 SHEET 31 OF 314

# T2A3-2020-4SW



Ø 2.38" HOLE FOR  
2" IPS CONDUIT



**PROPRIETARY AND CONFIDENTIAL**  
THE INFORMATION CONTAINED IN THIS DRAWING IS THE SOLE PROPERTY OF FORMEX MANUFACTURING. ANY REPRODUCTION IN PART OR AS A WHOLE WITHOUT THE WRITTEN PERMISSION OF FORMEX MANUFACTURING IS PROHIBITED.

UNLESS OTHERWISE SPECIFIED:		NAME	DATE
DIMENSIONS ARE IN INCHES TOLERANCES: FRACTIONAL ±1/32" ANGULAR: ±2° TWO PLACE DECIMAL ±0.03" THREE PLACE DECIMAL ±0.010"	DRAWN	HKF	6/28/2024
	CHECKED		
	ENG APPR.		
	MFG APPR.		
INTERPRET GEOMETRIC TOLERANCING PER:	Q.A.		
MATERIAL ABS	COMMENTS:		
FINISH GRAY / SMOOTH			
DO NOT SCALE DRAWING			

**Formex**<sup>®</sup>  
manufacturing, inc.

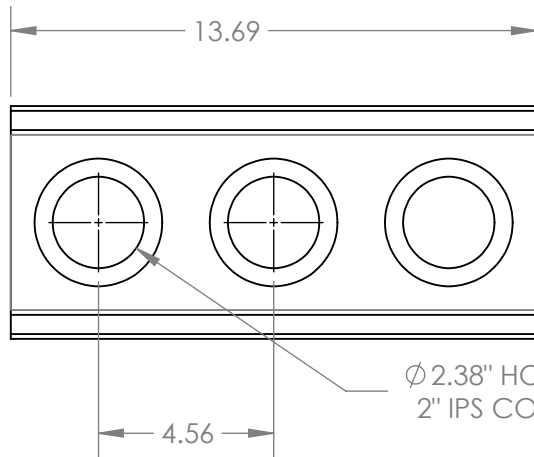
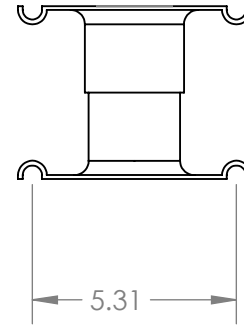
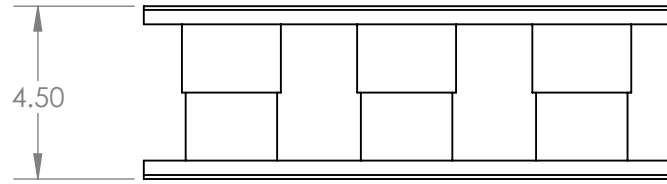
TITLE:  
**TERMINATOR**

SIZE <b>A</b>	DWG. NO. FX-3753-A	REV <b>A</b>
------------------	-----------------------	-----------------

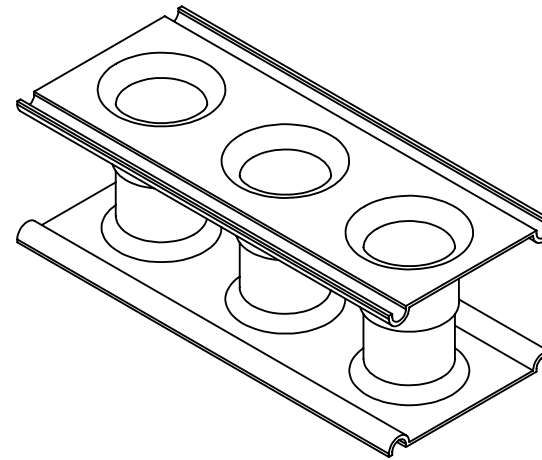
SCALE: 1:5 SHEET 32 OF 314



# T2A3-2020-4 1/2SW



Ø2.38" HOLE FOR  
2" IPS CONDUIT



**PROPRIETARY AND CONFIDENTIAL**  
THE INFORMATION CONTAINED IN THIS DRAWING IS THE SOLE PROPERTY OF FORMEX MANUFACTURING. ANY REPRODUCTION IN PART OR AS A WHOLE WITHOUT THE WRITTEN PERMISSION OF FORMEX MANUFACTURING IS PROHIBITED.

UNLESS OTHERWISE SPECIFIED:		NAME	DATE
DIMENSIONS ARE IN INCHES TOLERANCES: FRACTIONAL ±1/32" ANGULAR: ±2° TWO PLACE DECIMAL ±0.03" THREE PLACE DECIMAL ±0.010"	DRAWN	HKF	6/28/2024
	CHECKED		
	ENG APPR.		
	MFG APPR.		
INTERPRET GEOMETRIC TOLERANCING PER:	Q.A.		
MATERIAL ABS	COMMENTS:		
FINISH GRAY / SMOOTH			
DO NOT SCALE DRAWING			

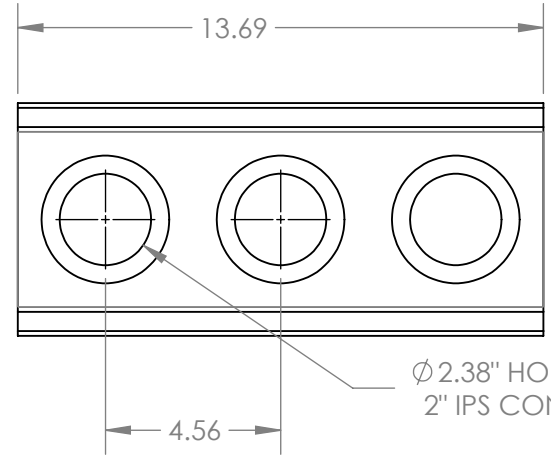
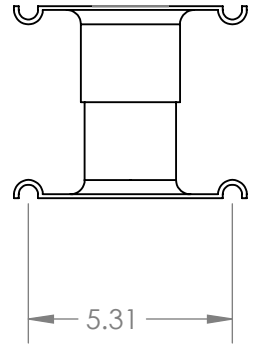
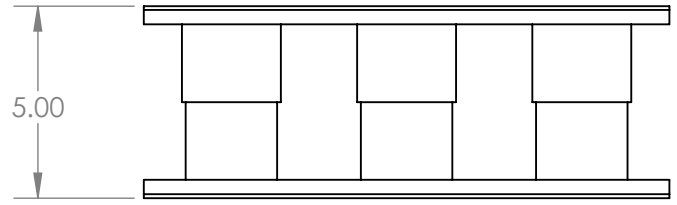
**Formex**<sup>®</sup>  
manufacturing, inc.

TITLE:  
**TERMINATOR**

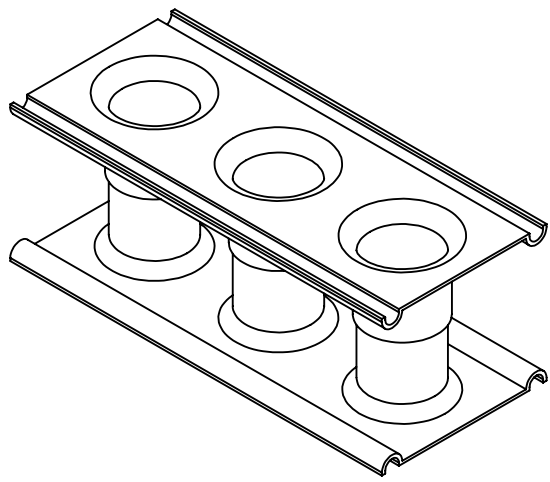
SIZE <b>A</b>	DWG. NO. FX-3753-A	REV <b>A</b>
------------------	-----------------------	-----------------

SCALE: 1:5 SHEET 33 OF 314

# T2A3-2020-5SW



Ø 2.38" HOLE FOR  
2" IPS CONDUIT



**PROPRIETARY AND CONFIDENTIAL**  
THE INFORMATION CONTAINED IN THIS DRAWING IS THE SOLE PROPERTY OF FORMEX MANUFACTURING. ANY REPRODUCTION IN PART OR AS A WHOLE WITHOUT THE WRITTEN PERMISSION OF FORMEX MANUFACTURING IS PROHIBITED.

UNLESS OTHERWISE SPECIFIED:	NAME	DATE
DIMENSIONS ARE IN INCHES	DRAWN	HKF 6/28/2024
TOLERANCES:	CHECKED	
FRACTIONAL ±1/32"	ENG APPR.	
ANGULAR: ±2°	MFG APPR.	
TWO PLACE DECIMAL ±0.03"	Q.A.	
THREE PLACE DECIMAL ±0.010"	COMMENTS:	
INTERPRET GEOMETRIC TOLERANCING PER:		
MATERIAL		
ABS		
FINISH		
GRAY / SMOOTH		
DO NOT SCALE DRAWING		

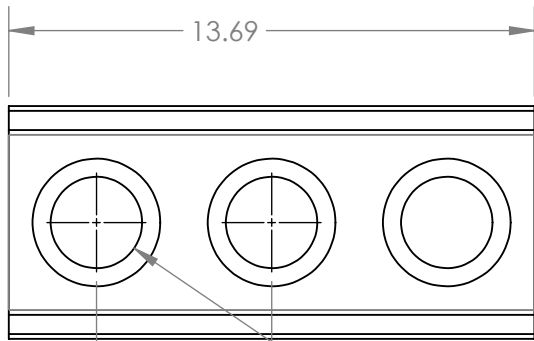
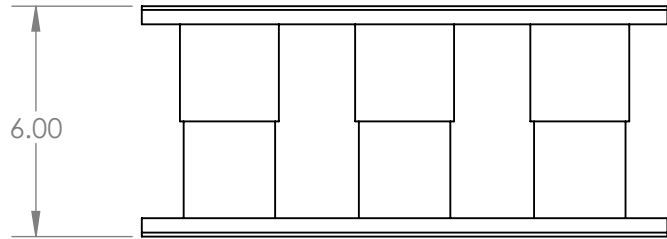
**Formex**<sup>®</sup>  
manufacturing, inc.

TITLE:  
**TERMINATOR**

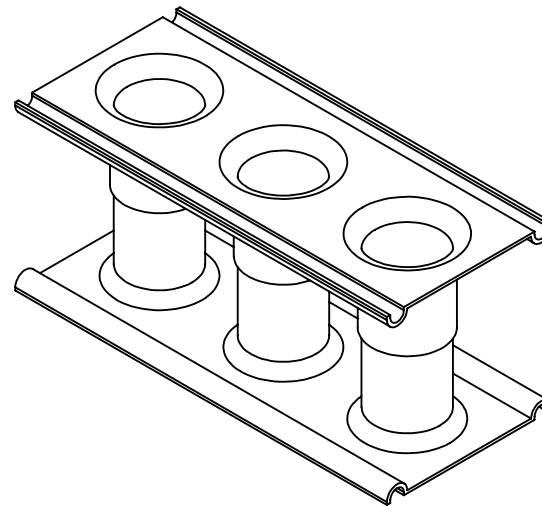
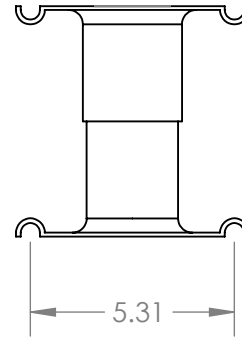
SIZE	DWG. NO.	REV
<b>A</b>	FX-3753-A	<b>A</b>

SCALE: 1:5 SHEET 34 OF 314

# T2A3-2020-6SW



4.56  
 $\varnothing 2.38$ " HOLE FOR  
 2" IPS CONDUIT



**PROPRIETARY AND CONFIDENTIAL**  
 THE INFORMATION CONTAINED IN THIS  
 DRAWING IS THE SOLE PROPERTY OF  
 FORMEX MANUFACTURING. ANY  
 REPRODUCTION IN PART OR AS A WHOLE  
 WITHOUT THE WRITTEN PERMISSION OF  
 FORMEX MANUFACTURING IS  
 PROHIBITED.

UNLESS OTHERWISE SPECIFIED:	NAME	DATE
DIMENSIONS ARE IN INCHES	DRAWN	HKF 6/28/2024
TOLERANCES:	CHECKED	
FRACTIONAL $\pm 1/32$ "	ENG APPR.	
ANGULAR: $\pm 2^\circ$	MFG APPR.	
TWO PLACE DECIMAL $\pm 0.03$ "	Q.A.	
THREE PLACE DECIMAL $\pm 0.010$ "	COMMENTS:	
INTERPRET GEOMETRIC TOLERANCING PER:		
MATERIAL		
ABS		
FINISH		
GRAY / SMOOTH		
DO NOT SCALE DRAWING		

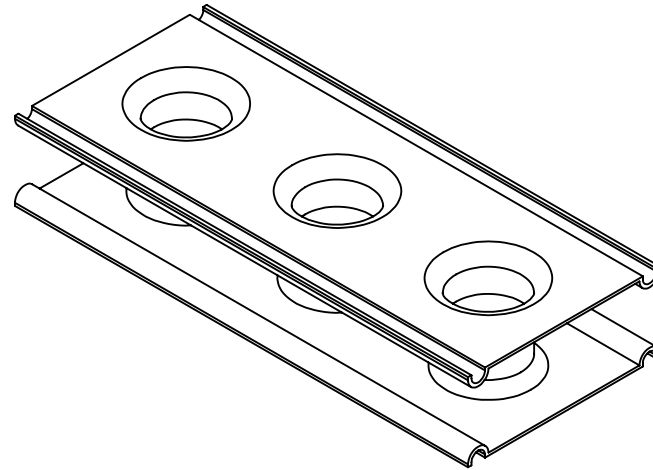
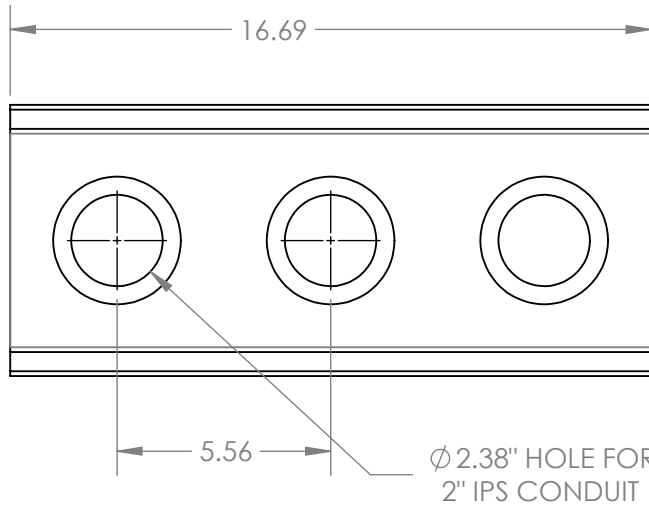
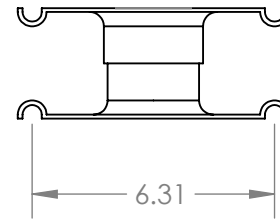
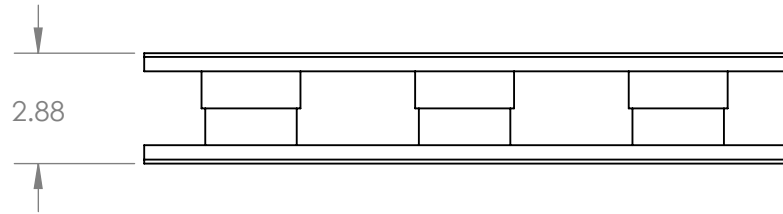
**Formex**<sup>®</sup>  
 manufacturing, inc.

TITLE:  
**TERMINATOR**

SIZE <b>A</b>	DWG. NO. FX-3753-A	REV <b>A</b>
------------------	-----------------------	-----------------

SCALE: 1:5 SHEET 35 OF 314

# T2A3-3030-2 7/8SW



**PROPRIETARY AND CONFIDENTIAL**  
 THE INFORMATION CONTAINED IN THIS DRAWING IS THE SOLE PROPERTY OF FORMEX MANUFACTURING. ANY REPRODUCTION IN PART OR AS A WHOLE WITHOUT THE WRITTEN PERMISSION OF FORMEX MANUFACTURING IS PROHIBITED.

UNLESS OTHERWISE SPECIFIED:		NAME	DATE
DIMENSIONS ARE IN INCHES TOLERANCES: FRACTIONAL ±1/32" ANGULAR: ±2° TWO PLACE DECIMAL ±0.03" THREE PLACE DECIMAL ±0.010"	DRAWN	HKF	6/28/2024
	CHECKED		
	ENG APPR.		
	MFG APPR.		
INTERPRET GEOMETRIC TOLERANCING PER:	Q.A.		
MATERIAL ABS	COMMENTS:		
FINISH GRAY / SMOOTH			
DO NOT SCALE DRAWING			

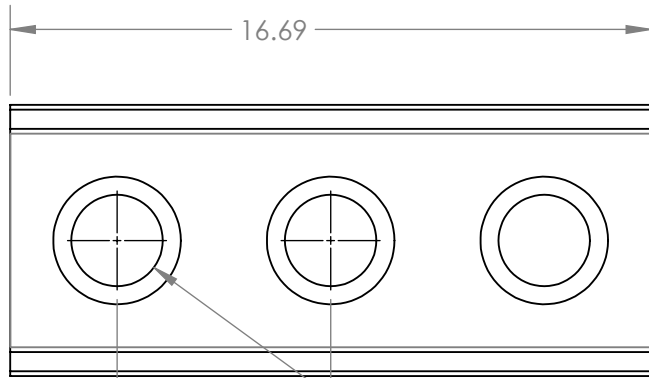
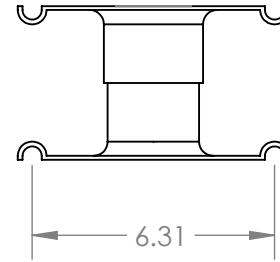
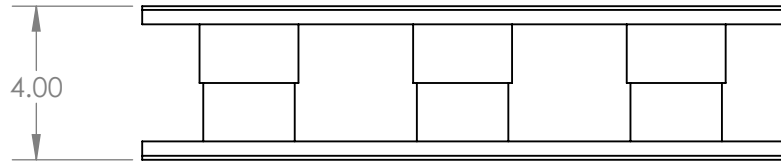
**Formex**<sup>®</sup>  
 manufacturing, inc.

TITLE:  
**TERMINATOR**

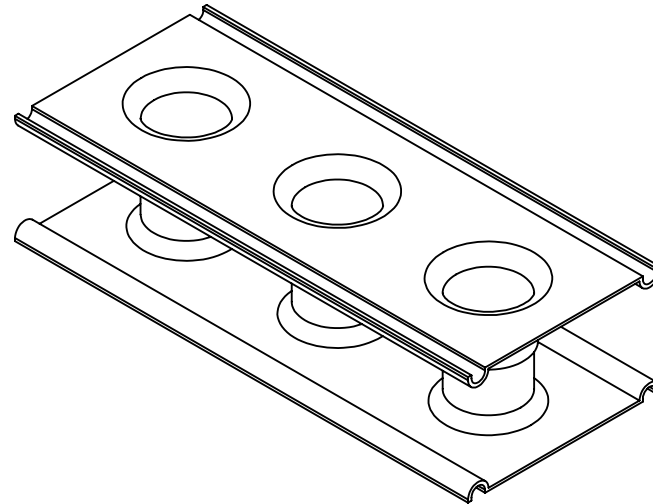
SIZE <b>A</b>	DWG. NO. FX-3753-A	REV <b>A</b>
------------------	-----------------------	-----------------

SCALE: 1:5 SHEET 36 OF 314

# T2A3-3030-4SW



5.56"  $\varnothing$  2.38" HOLE FOR 2" IPS CONDUIT



**PROPRIETARY AND CONFIDENTIAL**  
 THE INFORMATION CONTAINED IN THIS DRAWING IS THE SOLE PROPERTY OF FORMEX MANUFACTURING. ANY REPRODUCTION IN PART OR AS A WHOLE WITHOUT THE WRITTEN PERMISSION OF FORMEX MANUFACTURING IS PROHIBITED.

UNLESS OTHERWISE SPECIFIED:		NAME	DATE
DIMENSIONS ARE IN INCHES TOLERANCES: FRACTIONAL $\pm 1/32"$ ANGULAR: $\pm 2^\circ$ TWO PLACE DECIMAL $\pm 0.03"$ THREE PLACE DECIMAL $\pm 0.010"$	DRAWN	HKF	6/28/2024
	CHECKED		
	ENG APPR.		
	MFG APPR.		
INTERPRET GEOMETRIC TOLERANCING PER:	Q.A.		
MATERIAL	COMMENTS:		
ABS			
FINISH			
GRAY / SMOOTH			
DO NOT SCALE DRAWING			

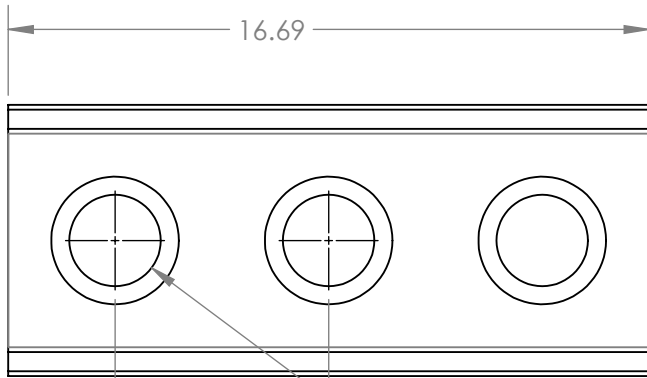
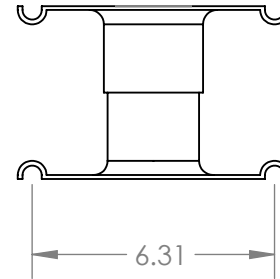
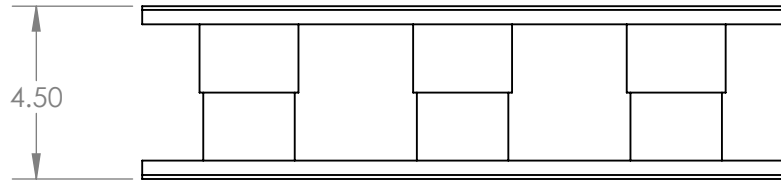
**Formex**<sup>®</sup>  
 manufacturing, inc.

TITLE:  
**TERMINATOR**

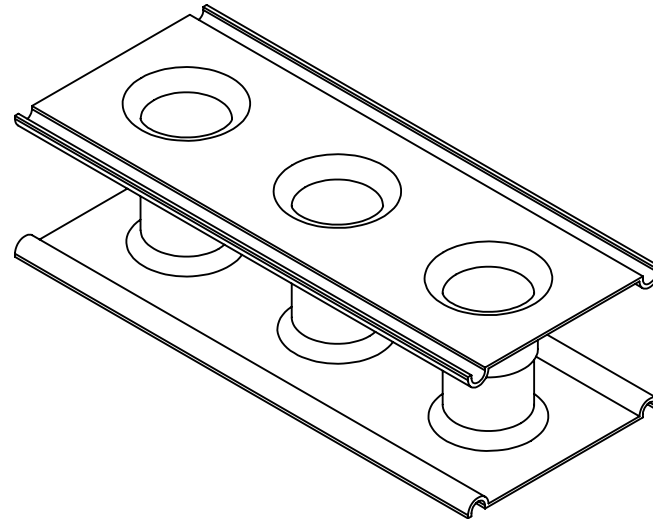
SIZE <b>A</b>	DWG. NO. FX-3753-A	REV <b>A</b>
------------------	-----------------------	-----------------

SCALE: 1:5 SHEET 37 OF 314

# T2A3-3030-4 1/2SW



5.56  $\varnothing$ 2.38" HOLE FOR 2" IPS CONDUIT



**PROPRIETARY AND CONFIDENTIAL**  
 THE INFORMATION CONTAINED IN THIS DRAWING IS THE SOLE PROPERTY OF FORMEX MANUFACTURING. ANY REPRODUCTION IN PART OR AS A WHOLE WITHOUT THE WRITTEN PERMISSION OF FORMEX MANUFACTURING IS PROHIBITED.

UNLESS OTHERWISE SPECIFIED:		NAME	DATE
DIMENSIONS ARE IN INCHES TOLERANCES: FRACTIONAL $\pm 1/32"$ ANGULAR: $\pm 2^\circ$ TWO PLACE DECIMAL $\pm 0.03"$ THREE PLACE DECIMAL $\pm 0.010"$	DRAWN	HKF	6/28/2024
	CHECKED		
	ENG APPR.		
	MFG APPR.		
INTERPRET GEOMETRIC TOLERANCING PER:	Q.A.		
MATERIAL ABS	COMMENTS:		
FINISH GRAY / SMOOTH			
DO NOT SCALE DRAWING			

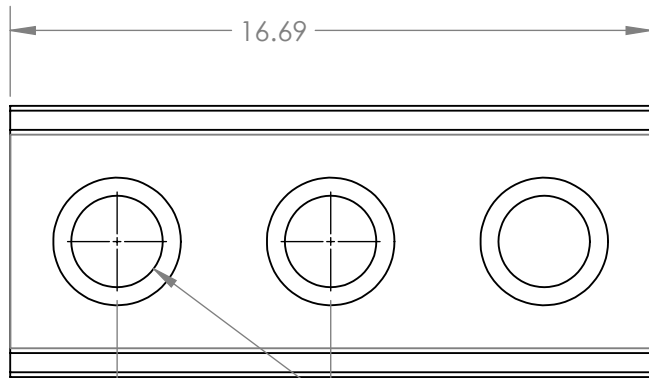
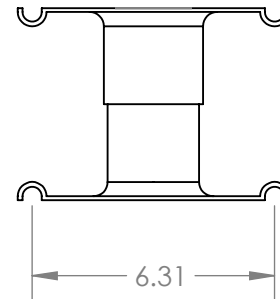
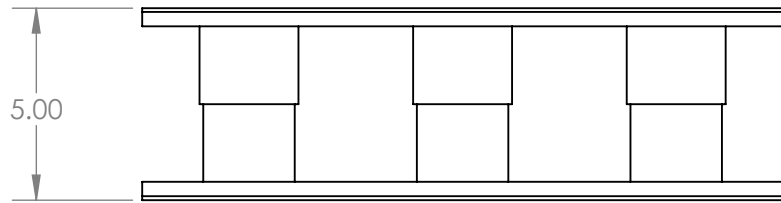
**Formex**<sup>®</sup>  
 manufacturing, inc.

TITLE:  
**TERMINATOR**

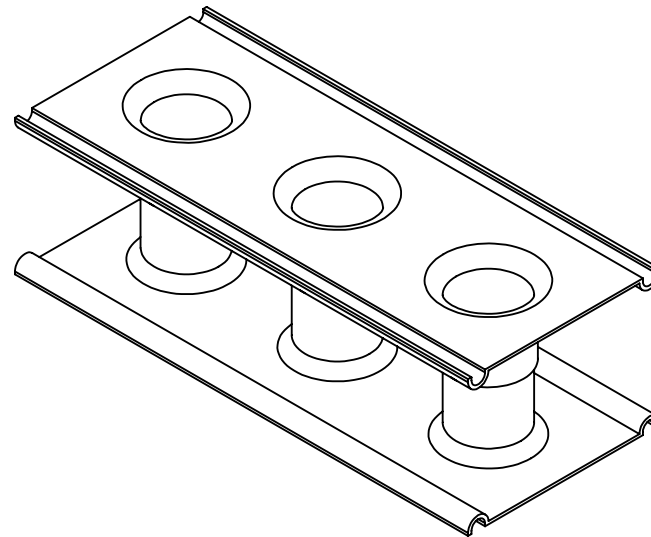
SIZE <b>A</b>	DWG. NO. FX-3753-A	REV <b>A</b>
------------------	-----------------------	-----------------

SCALE: 1:5 SHEET 38 OF 314

# T2A3-3030-5SW



5.56  $\varnothing$ 2.38" HOLE FOR 2" IPS CONDUIT



**PROPRIETARY AND CONFIDENTIAL**  
 THE INFORMATION CONTAINED IN THIS DRAWING IS THE SOLE PROPERTY OF FORMEX MANUFACTURING. ANY REPRODUCTION IN PART OR AS A WHOLE WITHOUT THE WRITTEN PERMISSION OF FORMEX MANUFACTURING IS PROHIBITED.

UNLESS OTHERWISE SPECIFIED:		NAME	DATE
DIMENSIONS ARE IN INCHES TOLERANCES: FRACTIONAL $\pm 1/32"$ ANGULAR: $\pm 2^\circ$ TWO PLACE DECIMAL $\pm 0.03"$ THREE PLACE DECIMAL $\pm 0.010"$	DRAWN	HKF	6/28/2024
	CHECKED		
	ENG APPR.		
	MFG APPR.		
INTERPRET GEOMETRIC TOLERANCING PER:	Q.A.		
MATERIAL ABS	COMMENTS:		
FINISH GRAY / SMOOTH			
DO NOT SCALE DRAWING			

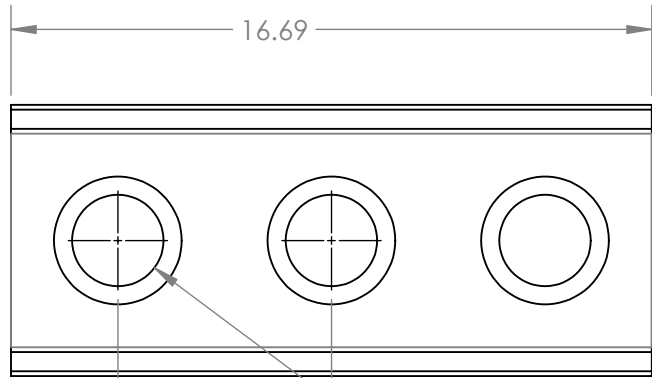
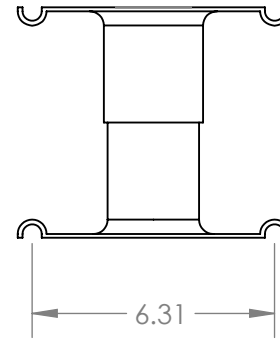
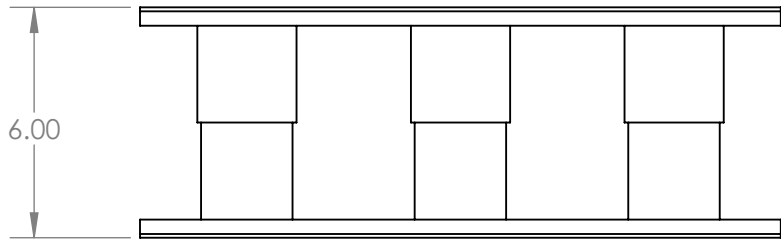
**Formex**<sup>®</sup>  
 manufacturing, inc.

TITLE:  
**TERMINATOR**

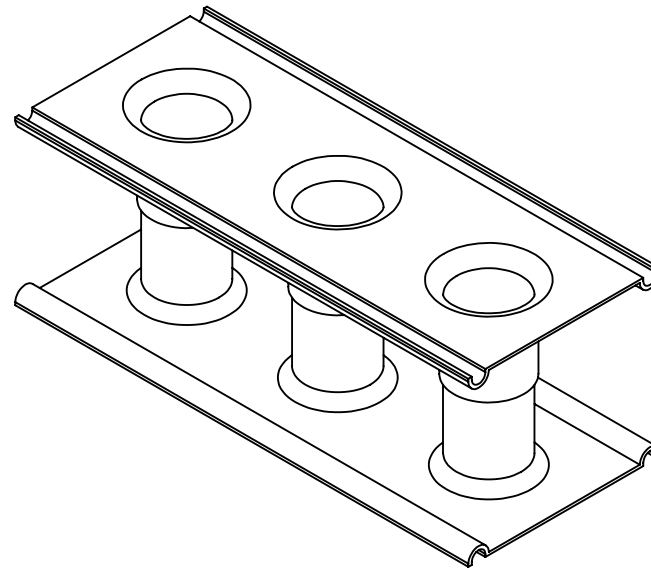
SIZE <b>A</b>	DWG. NO. FX-3753-A	REV <b>A</b>
------------------	-----------------------	-----------------

SCALE: 1:5 SHEET 39 OF 314

# T2A3-3030-6SW



5.56  
 $\varnothing 2.38$ " HOLE FOR  
 2" IPS CONDUIT



**PROPRIETARY AND CONFIDENTIAL**  
 THE INFORMATION CONTAINED IN THIS DRAWING IS THE SOLE PROPERTY OF FORMEX MANUFACTURING. ANY REPRODUCTION IN PART OR AS A WHOLE WITHOUT THE WRITTEN PERMISSION OF FORMEX MANUFACTURING IS PROHIBITED.

UNLESS OTHERWISE SPECIFIED:		NAME	DATE
DIMENSIONS ARE IN INCHES TOLERANCES: FRACTIONAL $\pm 1/32$ " ANGULAR: $\pm 2^\circ$ TWO PLACE DECIMAL $\pm 0.03$ " THREE PLACE DECIMAL $\pm 0.010$ "	DRAWN	HKF	6/28/2024
	CHECKED		
	ENG APPR.		
	MFG APPR.		
INTERPRET GEOMETRIC TOLERANCING PER:	Q.A.		
MATERIAL ABS	COMMENTS:		
FINISH GRAY / SMOOTH			
DO NOT SCALE DRAWING			

**Formex**<sup>®</sup>  
 manufacturing, inc.

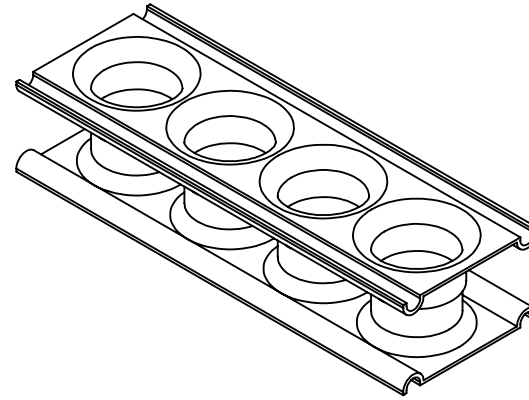
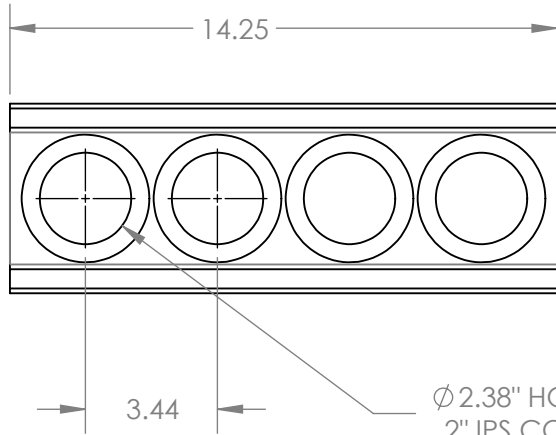
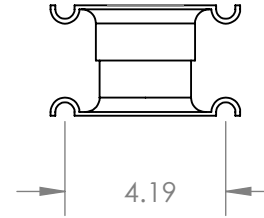
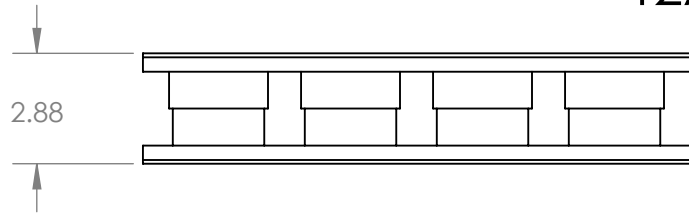
TITLE:  
**TERMINATOR**

SIZE <b>A</b>	DWG. NO. FX-3753-A	REV <b>A</b>
------------------	-----------------------	-----------------

SCALE: 1:5 SHEET 40 OF 314



# T2A4-1010-2 7/8SW



**PROPRIETARY AND CONFIDENTIAL**  
 THE INFORMATION CONTAINED IN THIS DRAWING IS THE SOLE PROPERTY OF FORMEX MANUFACTURING. ANY REPRODUCTION IN PART OR AS A WHOLE WITHOUT THE WRITTEN PERMISSION OF FORMEX MANUFACTURING IS PROHIBITED.

UNLESS OTHERWISE SPECIFIED:		NAME	DATE
DIMENSIONS ARE IN INCHES	DRAWN	HKF	6/28/2024
TOLERANCES:	CHECKED		
FRACTIONAL $\pm 1/32"$	ENG APPR.		
ANGULAR: $\pm 2^\circ$	MFG APPR.		
TWO PLACE DECIMAL $\pm 0.03"$	Q.A.		
THREE PLACE DECIMAL $\pm 0.010"$	COMMENTS:		
INTERPRET GEOMETRIC TOLERANCING PER:			
MATERIAL			
ABS			
FINISH			
GRAY / SMOOTH			
DO NOT SCALE DRAWING			

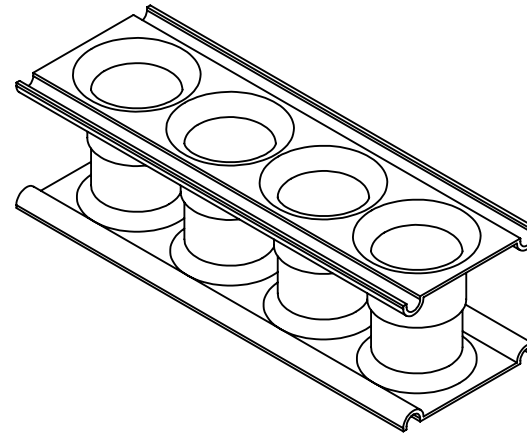
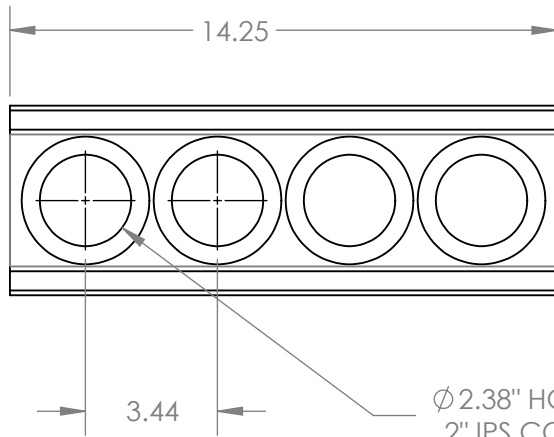
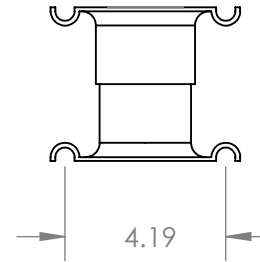
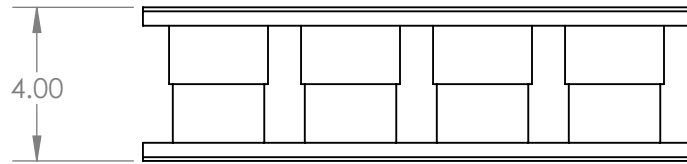
**Formex**<sup>®</sup>  
 manufacturing, inc.

TITLE:  
**TERMINATOR**

SIZE <b>A</b>	DWG. NO. FX-3753-A	REV <b>A</b>
------------------	-----------------------	-----------------

SCALE: 1:5 SHEET 41 OF 314

# T2A4-1010-4SW



**PROPRIETARY AND CONFIDENTIAL**  
 THE INFORMATION CONTAINED IN THIS DRAWING IS THE SOLE PROPERTY OF FORMEX MANUFACTURING. ANY REPRODUCTION IN PART OR AS A WHOLE WITHOUT THE WRITTEN PERMISSION OF FORMEX MANUFACTURING IS PROHIBITED.

UNLESS OTHERWISE SPECIFIED:		NAME	DATE
DIMENSIONS ARE IN INCHES TOLERANCES: FRACTIONAL $\pm 1/32"$ ANGULAR: $\pm 2^\circ$ TWO PLACE DECIMAL $\pm 0.03"$ THREE PLACE DECIMAL $\pm 0.010"$	DRAWN	HKF	6/28/2024
	CHECKED		
	ENG APPR.		
	MFG APPR.		
INTERPRET GEOMETRIC TOLERANCING PER:	Q.A.		
MATERIAL ABS	COMMENTS:		
FINISH GRAY / SMOOTH			
DO NOT SCALE DRAWING			

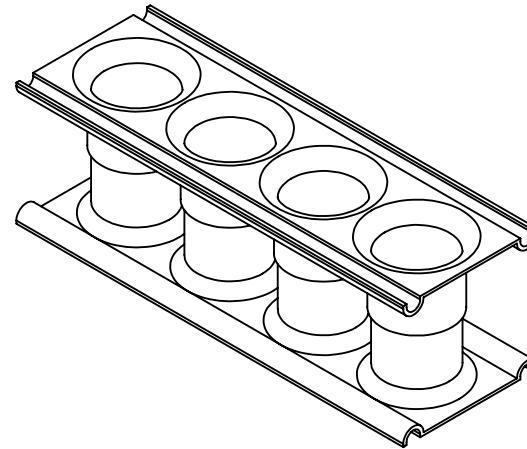
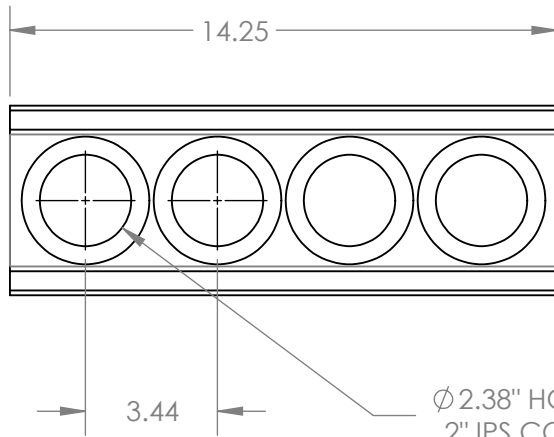
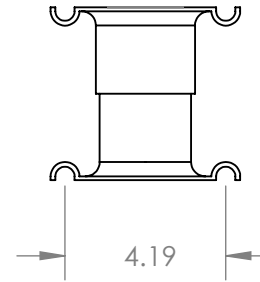
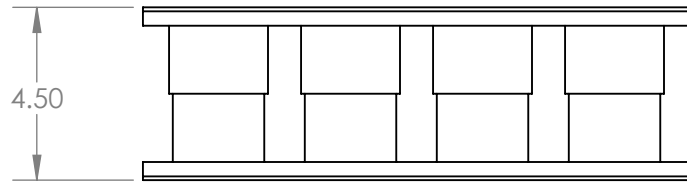
**Formex**<sup>®</sup>  
 manufacturing, inc.

TITLE:  
**TERMINATOR**

SIZE <b>A</b>	DWG. NO. FX-3753-A	REV <b>A</b>
------------------	-----------------------	-----------------

SCALE: 1:5 SHEET 42 OF 314

# T2A4-1010-4 1/2SW



**PROPRIETARY AND CONFIDENTIAL**  
 THE INFORMATION CONTAINED IN THIS DRAWING IS THE SOLE PROPERTY OF FORMEX MANUFACTURING. ANY REPRODUCTION IN PART OR AS A WHOLE WITHOUT THE WRITTEN PERMISSION OF FORMEX MANUFACTURING IS PROHIBITED.

UNLESS OTHERWISE SPECIFIED:		NAME	DATE
DIMENSIONS ARE IN INCHES	DRAWN	HKF	6/28/2024
TOLERANCES:	CHECKED		
FRACTIONAL $\pm 1/32"$	ENG APPR.		
ANGULAR: $\pm 2^\circ$	MFG APPR.		
TWO PLACE DECIMAL $\pm 0.03"$	Q.A.		
THREE PLACE DECIMAL $\pm 0.010"$	COMMENTS:		
INTERPRET GEOMETRIC TOLERANCING PER:			
MATERIAL			
ABS			
FINISH			
GRAY / SMOOTH			
DO NOT SCALE DRAWING			

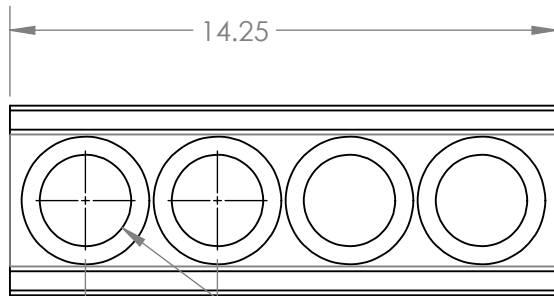
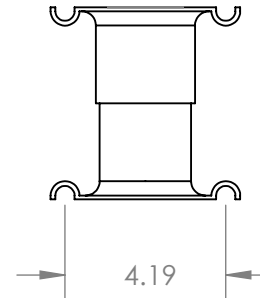
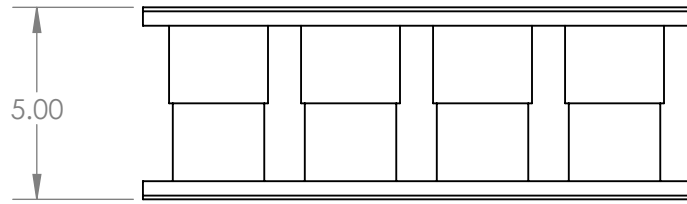
**Formex**<sup>®</sup>  
 manufacturing, inc.

TITLE:  
**TERMINATOR**

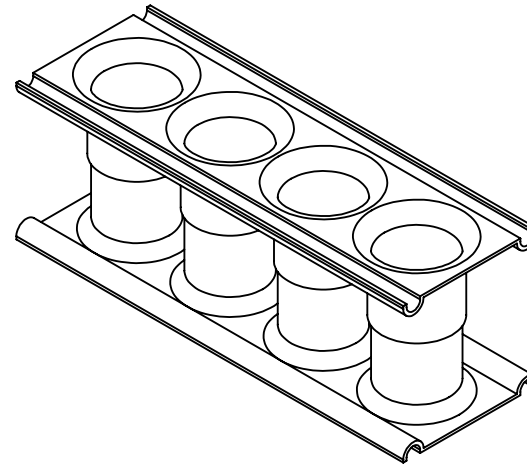
SIZE <b>A</b>	DWG. NO. FX-3753-A	REV <b>A</b>
------------------	-----------------------	-----------------

SCALE: 1:5 SHEET 43 OF 314

# T2A4-1010-5SW



3.44       $\varnothing 2.38$ " HOLE FOR  
2" IPS CONDUIT



**PROPRIETARY AND CONFIDENTIAL**  
THE INFORMATION CONTAINED IN THIS DRAWING IS THE SOLE PROPERTY OF FORMEX MANUFACTURING. ANY REPRODUCTION IN PART OR AS A WHOLE WITHOUT THE WRITTEN PERMISSION OF FORMEX MANUFACTURING IS PROHIBITED.

UNLESS OTHERWISE SPECIFIED:		NAME	DATE
DIMENSIONS ARE IN INCHES TOLERANCES: FRACTIONAL $\pm 1/32$ " ANGULAR: $\pm 2^\circ$ TWO PLACE DECIMAL $\pm 0.03$ " THREE PLACE DECIMAL $\pm 0.010$ "	DRAWN	HKF	6/28/2024
	CHECKED		
	ENG APPR.		
	MFG APPR.		
INTERPRET GEOMETRIC TOLERANCING PER:	Q.A.		
MATERIAL ABS	COMMENTS:		
FINISH GRAY / SMOOTH			
DO NOT SCALE DRAWING			

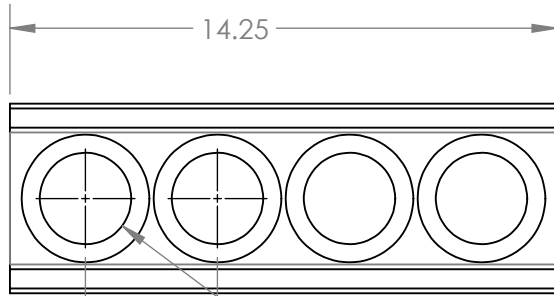
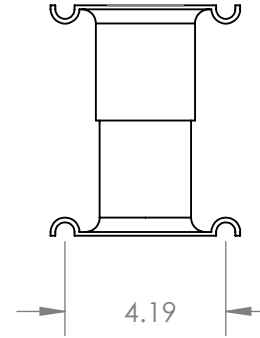
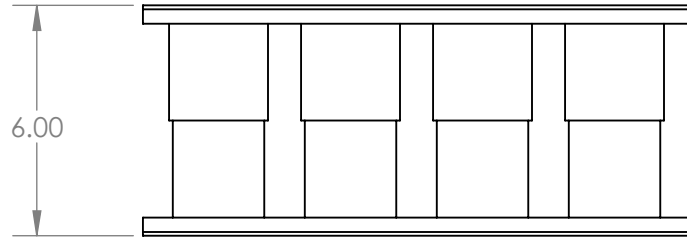
**Formex**<sup>®</sup>  
manufacturing, inc.

TITLE:  
**TERMINATOR**

SIZE <b>A</b>	DWG. NO. FX-3753-A	REV <b>A</b>
------------------	-----------------------	-----------------

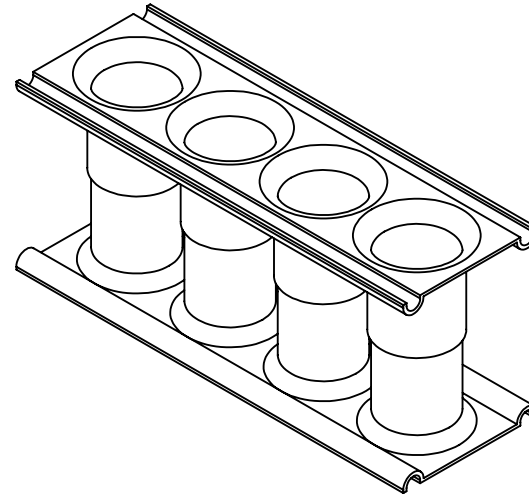
SCALE: 1:5      SHEET 44 OF 314

# T2A4-1010-6SW



3.44

Ø2.38" HOLE FOR  
2" IPS CONDUIT



**PROPRIETARY AND CONFIDENTIAL**  
THE INFORMATION CONTAINED IN THIS DRAWING IS THE SOLE PROPERTY OF FORMEX MANUFACTURING. ANY REPRODUCTION IN PART OR AS A WHOLE WITHOUT THE WRITTEN PERMISSION OF FORMEX MANUFACTURING IS PROHIBITED.

UNLESS OTHERWISE SPECIFIED:	NAME	DATE
DIMENSIONS ARE IN INCHES	DRAWN	HKF 6/28/2024
TOLERANCES:	CHECKED	
FRACTIONAL ±1/32"	ENG APPR.	
ANGULAR: ±2°	MFG APPR.	
TWO PLACE DECIMAL ±0.03"	Q.A.	
THREE PLACE DECIMAL ±0.010"	COMMENTS:	
INTERPRET GEOMETRIC TOLERANCING PER:		
MATERIAL		
ABS		
FINISH		
GRAY / SMOOTH		
DO NOT SCALE DRAWING		

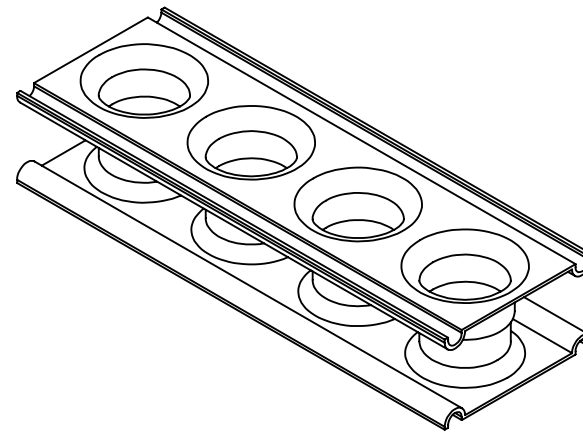
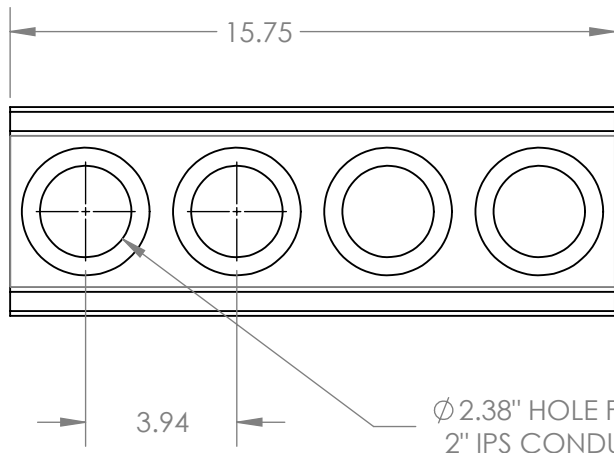
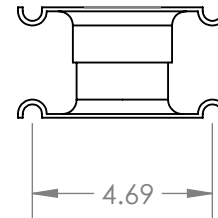
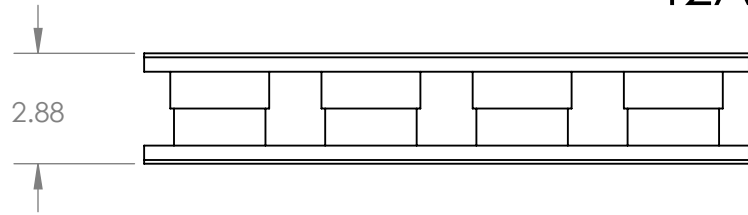
**Formex**<sup>®</sup>  
manufacturing, inc.

TITLE:  
**TERMINATOR**

SIZE <b>A</b>	DWG. NO. FX-3753-A	REV <b>A</b>
------------------	-----------------------	-----------------

SCALE: 1:5 SHEET 45 OF 314

# T2A4-1515-2 7/8SW



**PROPRIETARY AND CONFIDENTIAL**  
 THE INFORMATION CONTAINED IN THIS DRAWING IS THE SOLE PROPERTY OF FORMEX MANUFACTURING. ANY REPRODUCTION IN PART OR AS A WHOLE WITHOUT THE WRITTEN PERMISSION OF FORMEX MANUFACTURING IS PROHIBITED.

UNLESS OTHERWISE SPECIFIED:		NAME	DATE
DIMENSIONS ARE IN INCHES TOLERANCES: FRACTIONAL $\pm 1/32"$ ANGULAR: $\pm 2^\circ$ TWO PLACE DECIMAL $\pm 0.03"$ THREE PLACE DECIMAL $\pm 0.010"$	DRAWN	HKF	6/28/2024
	CHECKED		
	ENG APPR.		
	MFG APPR.		
INTERPRET GEOMETRIC TOLERANCING PER:	Q.A.		
MATERIAL ABS	COMMENTS:		
FINISH GRAY / SMOOTH			
DO NOT SCALE DRAWING			

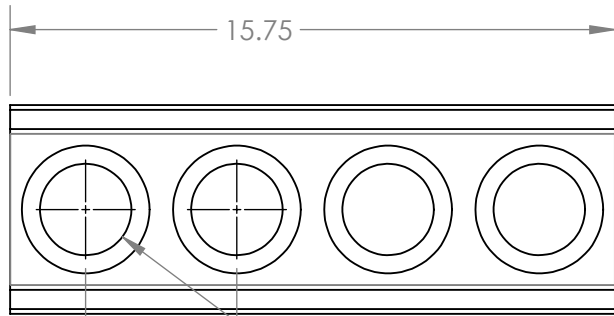
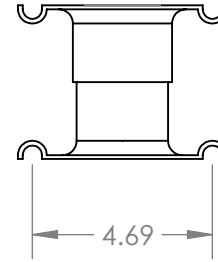
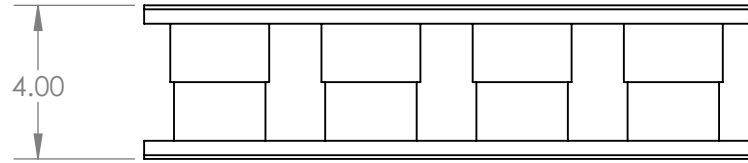
**Formex**<sup>®</sup>  
 manufacturing, inc.

TITLE:  
**TERMINATOR**

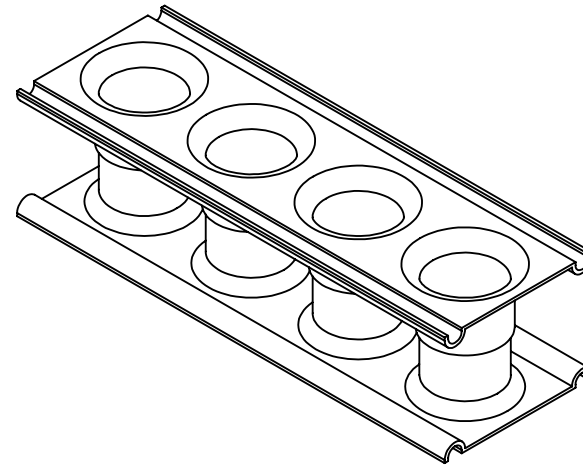
SIZE <b>A</b>	DWG. NO. FX-3753-A	REV <b>A</b>
------------------	-----------------------	-----------------

SCALE: 1:5 SHEET 46 OF 314

# T2A4-1515-4SW



3.94       $\varnothing$  2.38" HOLE FOR  
2" IPS CONDUIT



**PROPRIETARY AND CONFIDENTIAL**  
THE INFORMATION CONTAINED IN THIS DRAWING IS THE SOLE PROPERTY OF FORMEX MANUFACTURING. ANY REPRODUCTION IN PART OR AS A WHOLE WITHOUT THE WRITTEN PERMISSION OF FORMEX MANUFACTURING IS PROHIBITED.

UNLESS OTHERWISE SPECIFIED:		NAME	DATE
DIMENSIONS ARE IN INCHES TOLERANCES: FRACTIONAL $\pm 1/32"$ ANGULAR: $\pm 2^\circ$ TWO PLACE DECIMAL $\pm 0.03"$ THREE PLACE DECIMAL $\pm 0.010"$	DRAWN	HKF	6/28/2024
	CHECKED		
	ENG APPR.		
	MFG APPR.		
INTERPRET GEOMETRIC TOLERANCING PER:	Q.A.		
MATERIAL ABS	COMMENTS:		
FINISH GRAY / SMOOTH			
DO NOT SCALE DRAWING			

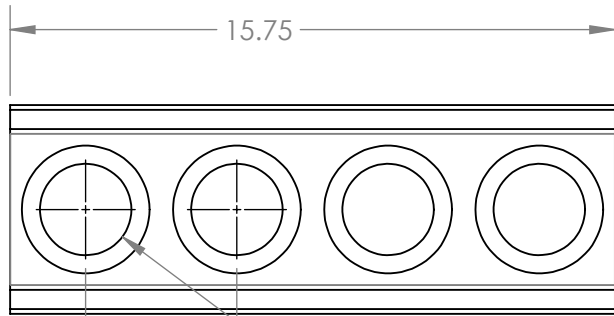
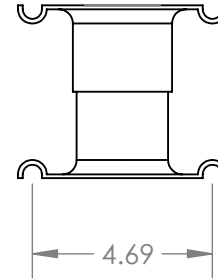
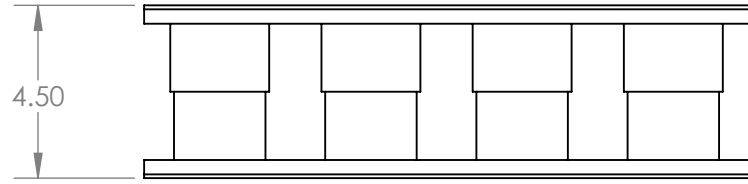
**Formex**<sup>®</sup>  
manufacturing, inc.

TITLE:  
**TERMINATOR**

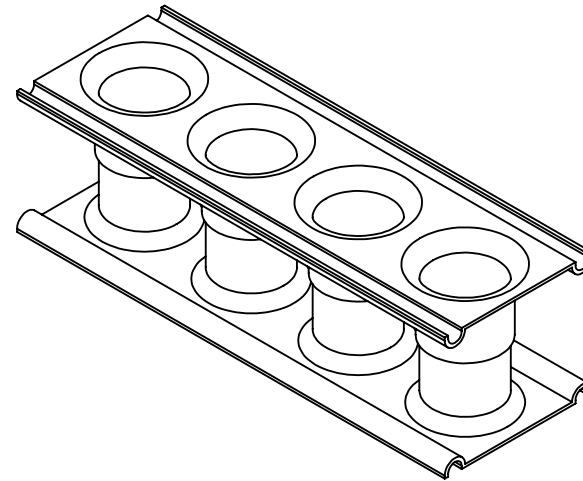
SIZE <b>A</b>	DWG. NO. FX-3753-A	REV <b>A</b>
------------------	-----------------------	-----------------

SCALE: 1:5      SHEET 47 OF 314

# T2A4-1515-4 1/2SW



3.94  
 Ø 2.38" HOLE FOR  
 2" IPS CONDUIT



**PROPRIETARY AND CONFIDENTIAL**  
 THE INFORMATION CONTAINED IN THIS DRAWING IS THE SOLE PROPERTY OF FORMEX MANUFACTURING. ANY REPRODUCTION IN PART OR AS A WHOLE WITHOUT THE WRITTEN PERMISSION OF FORMEX MANUFACTURING IS PROHIBITED.

UNLESS OTHERWISE SPECIFIED:	NAME	DATE
DIMENSIONS ARE IN INCHES	DRAWN	HKF 6/28/2024
TOLERANCES:	CHECKED	
FRACTIONAL ±1/32"	ENG APPR.	
ANGULAR: ±2°	MFG APPR.	
TWO PLACE DECIMAL ±0.03"	Q.A.	
THREE PLACE DECIMAL ±0.010"	COMMENTS:	
INTERPRET GEOMETRIC TOLERANCING PER:		
MATERIAL		
ABS		
FINISH		
GRAY / SMOOTH		
DO NOT SCALE DRAWING		

**Formex**<sup>®</sup>  
 manufacturing, inc.

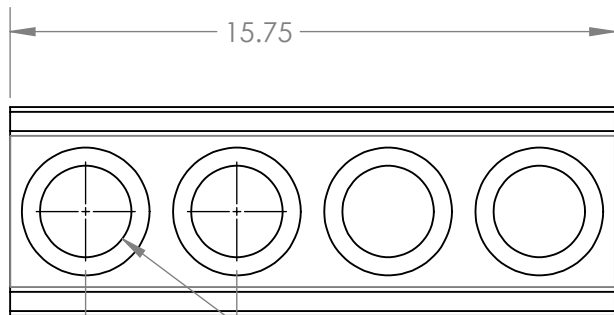
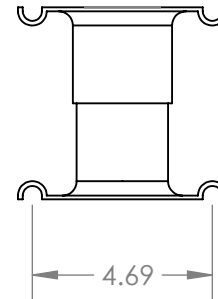
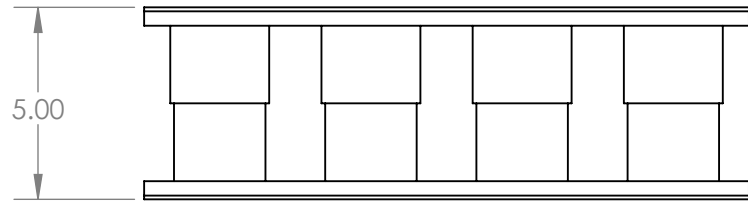
TITLE:  
**TERMINATOR**

SIZE <b>A</b>	DWG. NO. FX-3753-A	REV <b>A</b>
------------------	-----------------------	-----------------

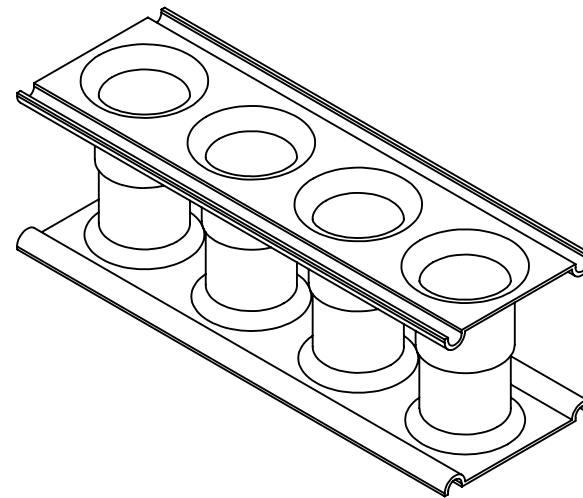
SCALE: 1:5 SHEET 48 OF 314



# T2A4-1515-5SW



3.94  $\varnothing$  2.38" HOLE FOR 2" IPS CONDUIT



**PROPRIETARY AND CONFIDENTIAL**  
 THE INFORMATION CONTAINED IN THIS DRAWING IS THE SOLE PROPERTY OF FORMEX MANUFACTURING. ANY REPRODUCTION IN PART OR AS A WHOLE WITHOUT THE WRITTEN PERMISSION OF FORMEX MANUFACTURING IS PROHIBITED.

UNLESS OTHERWISE SPECIFIED:	NAME	DATE
DIMENSIONS ARE IN INCHES	DRAWN	HKF 6/28/2024
TOLERANCES:	CHECKED	
FRACTIONAL $\pm 1/32"$	ENG APPR.	
ANGULAR: $\pm 2^\circ$	MFG APPR.	
TWO PLACE DECIMAL $\pm 0.03"$	Q.A.	
THREE PLACE DECIMAL $\pm 0.010"$	COMMENTS:	
INTERPRET GEOMETRIC TOLERANCING PER:		
MATERIAL		
ABS		
FINISH		
GRAY / SMOOTH		
DO NOT SCALE DRAWING		

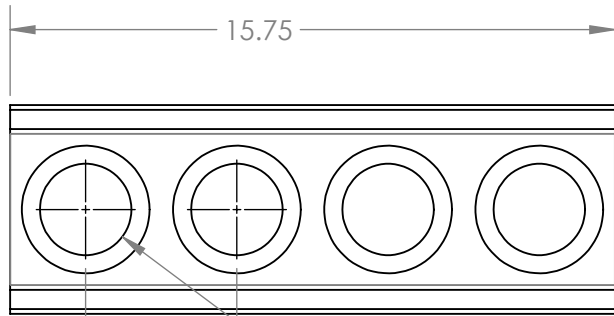
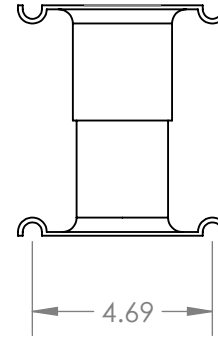
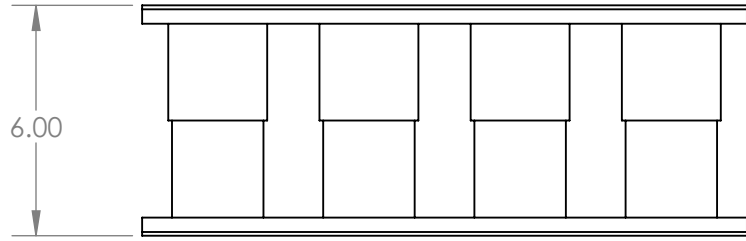
**Formex**<sup>®</sup>  
 manufacturing, inc.

TITLE:  
**TERMINATOR**

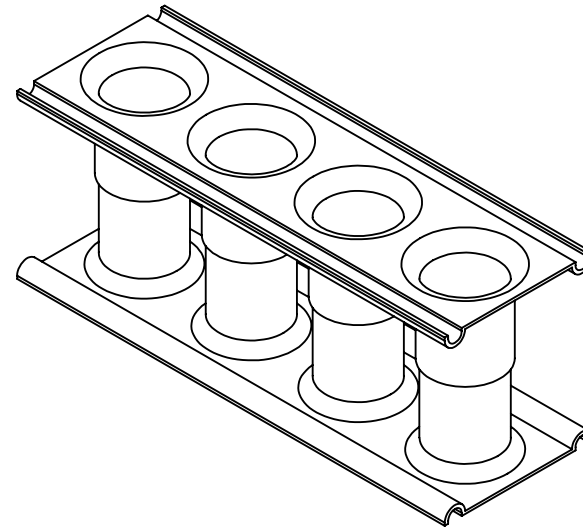
SIZE	DWG. NO.	REV
<b>A</b>	FX-3753-A	<b>A</b>

SCALE: 1:5 SHEET 49 OF 314

# T2A4-1515-6SW



3.94  
 $\varnothing$  2.38" HOLE FOR  
 2" IPS CONDUIT



**PROPRIETARY AND CONFIDENTIAL**  
 THE INFORMATION CONTAINED IN THIS  
 DRAWING IS THE SOLE PROPERTY OF  
 FORMEX MANUFACTURING. ANY  
 REPRODUCTION IN PART OR AS A WHOLE  
 WITHOUT THE WRITTEN PERMISSION OF  
 FORMEX MANUFACTURING IS  
 PROHIBITED.

UNLESS OTHERWISE SPECIFIED:	NAME	DATE
DIMENSIONS ARE IN INCHES	DRAWN	HKF 6/28/2024
TOLERANCES:	CHECKED	
FRACTIONAL $\pm 1/32"$	ENG APPR.	
ANGULAR: $\pm 2^\circ$	MFG APPR.	
TWO PLACE DECIMAL $\pm 0.03"$	Q.A.	
THREE PLACE DECIMAL $\pm 0.010"$	COMMENTS:	
INTERPRET GEOMETRIC TOLERANCING PER:		
MATERIAL		
ABS		
FINISH		
GRAY / SMOOTH		
DO NOT SCALE DRAWING		

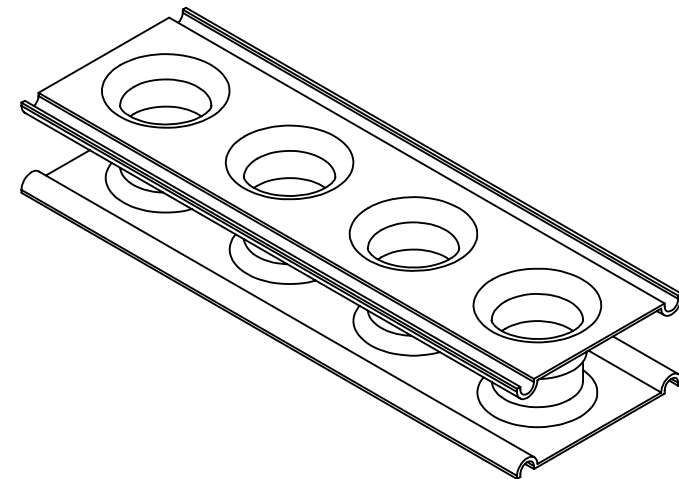
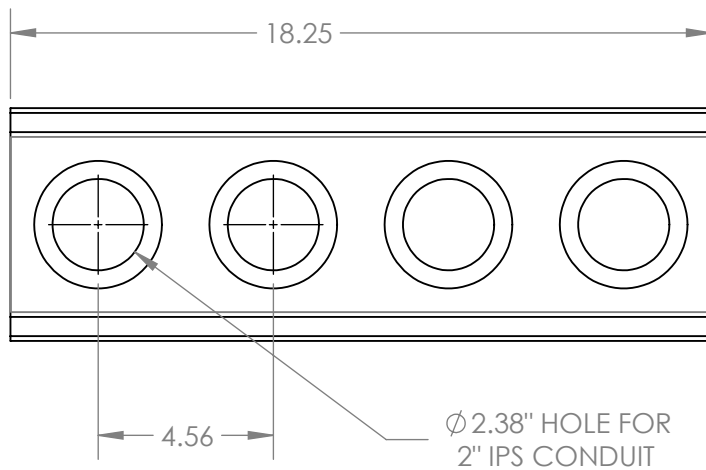
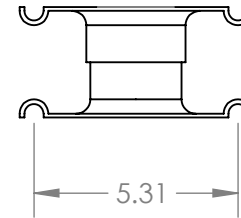
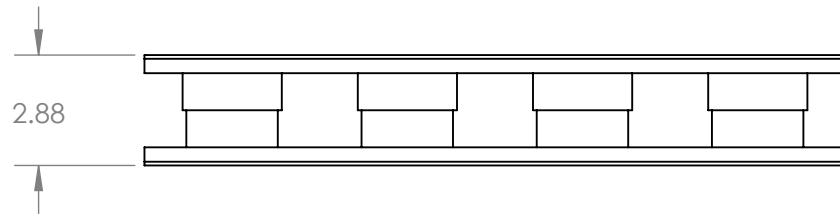
**Formex**<sup>®</sup>  
 manufacturing, inc.

TITLE:  
**TERMINATOR**

SIZE <b>A</b>	DWG. NO. FX-3753-A	REV <b>A</b>
------------------	-----------------------	-----------------

SCALE: 1:5 SHEET 50 OF 314

# T2A4-2020-2 7/8SW



**PROPRIETARY AND CONFIDENTIAL**  
THE INFORMATION CONTAINED IN THIS DRAWING IS THE SOLE PROPERTY OF FORMEX MANUFACTURING. ANY REPRODUCTION IN PART OR AS A WHOLE WITHOUT THE WRITTEN PERMISSION OF FORMEX MANUFACTURING IS PROHIBITED.

UNLESS OTHERWISE SPECIFIED:		NAME	DATE
DIMENSIONS ARE IN INCHES TOLERANCES: FRACTIONAL ±1/32" ANGULAR: ±2° TWO PLACE DECIMAL ±0.03" THREE PLACE DECIMAL ±0.010"	DRAWN	HKF	6/28/2024
	CHECKED		
	ENG APPR.		
	MFG APPR.		
INTERPRET GEOMETRIC TOLERANCING PER:	Q.A.		
MATERIAL ABS	COMMENTS:		
FINISH GRAY / SMOOTH			
DO NOT SCALE DRAWING			

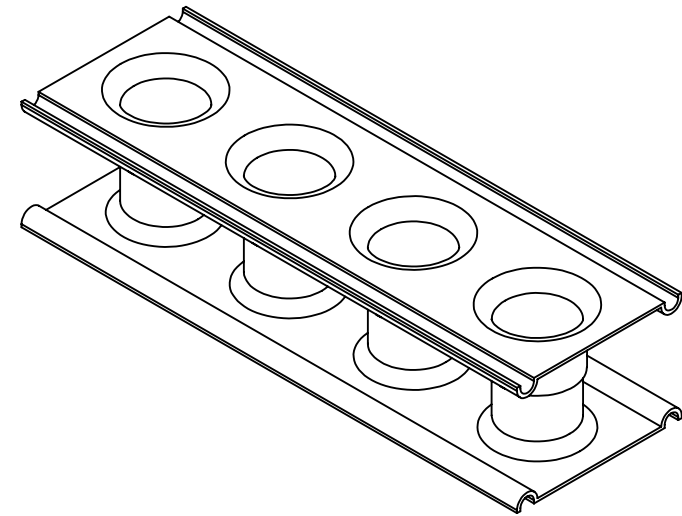
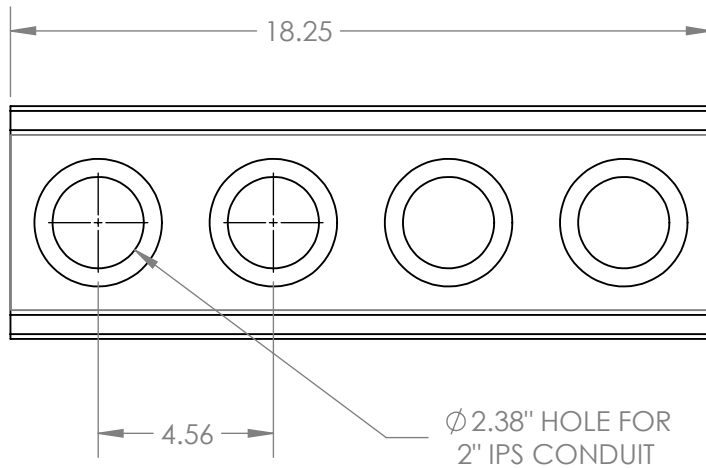
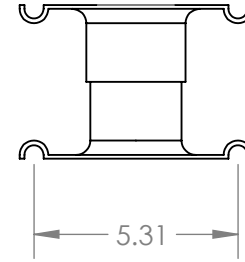
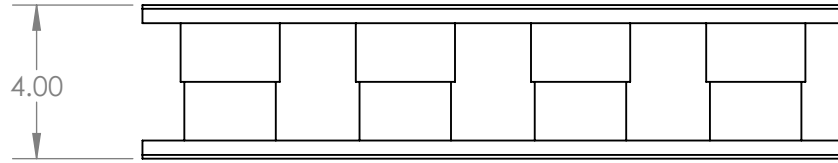
**Formex**<sup>®</sup>  
manufacturing, inc.

TITLE:  
**TERMINATOR**

SIZE <b>A</b>	DWG. NO. FX-3753-A	REV <b>A</b>
------------------	-----------------------	-----------------

SCALE: 1:5 SHEET 51 OF 314

# T2A4-2020-4SW



**PROPRIETARY AND CONFIDENTIAL**  
 THE INFORMATION CONTAINED IN THIS DRAWING IS THE SOLE PROPERTY OF FORMEX MANUFACTURING. ANY REPRODUCTION IN PART OR AS A WHOLE WITHOUT THE WRITTEN PERMISSION OF FORMEX MANUFACTURING IS PROHIBITED.

UNLESS OTHERWISE SPECIFIED:	NAME	DATE
DIMENSIONS ARE IN INCHES	DRAWN	HKF 6/28/2024
TOLERANCES:	CHECKED	
FRACTIONAL ±1/32"	ENG APPR.	
ANGULAR: ±2°	MFG APPR.	
TWO PLACE DECIMAL ±0.03"	Q.A.	
THREE PLACE DECIMAL ±0.010"	COMMENTS:	
INTERPRET GEOMETRIC TOLERANCING PER:		
MATERIAL		
ABS		
FINISH		
GRAY / SMOOTH		
DO NOT SCALE DRAWING		

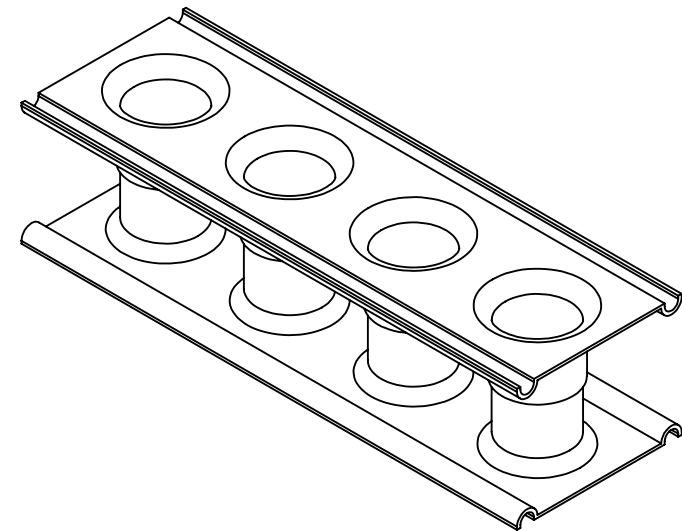
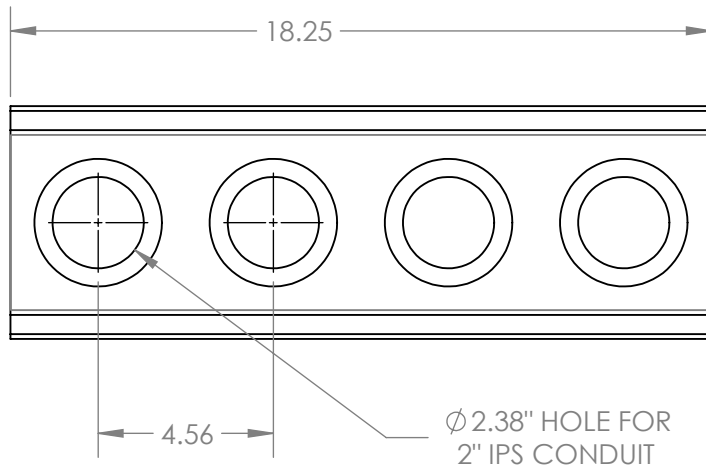
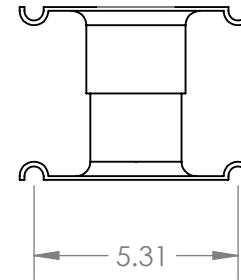
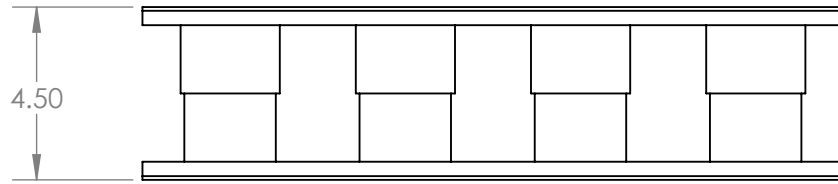
**Formex**<sup>®</sup>  
 manufacturing, inc.

TITLE:  
**TERMINATOR**

SIZE	DWG. NO.	REV
<b>A</b>	FX-3753-A	<b>A</b>

SCALE: 1:5 SHEET 52 OF 314

# T2A4-2020-4 1/2SW



**PROPRIETARY AND CONFIDENTIAL**  
 THE INFORMATION CONTAINED IN THIS DRAWING IS THE SOLE PROPERTY OF FORMEX MANUFACTURING. ANY REPRODUCTION IN PART OR AS A WHOLE WITHOUT THE WRITTEN PERMISSION OF FORMEX MANUFACTURING IS PROHIBITED.

UNLESS OTHERWISE SPECIFIED:		NAME	DATE
DIMENSIONS ARE IN INCHES TOLERANCES: FRACTIONAL $\pm 1/32"$ ANGULAR: $\pm 2^\circ$ TWO PLACE DECIMAL $\pm 0.03"$ THREE PLACE DECIMAL $\pm 0.010"$	DRAWN	HKF	6/28/2024
	CHECKED		
	ENG APPR.		
	MFG APPR.		
INTERPRET GEOMETRIC TOLERANCING PER:	Q.A.		
MATERIAL ABS	COMMENTS:		
FINISH GRAY / SMOOTH			
DO NOT SCALE DRAWING			

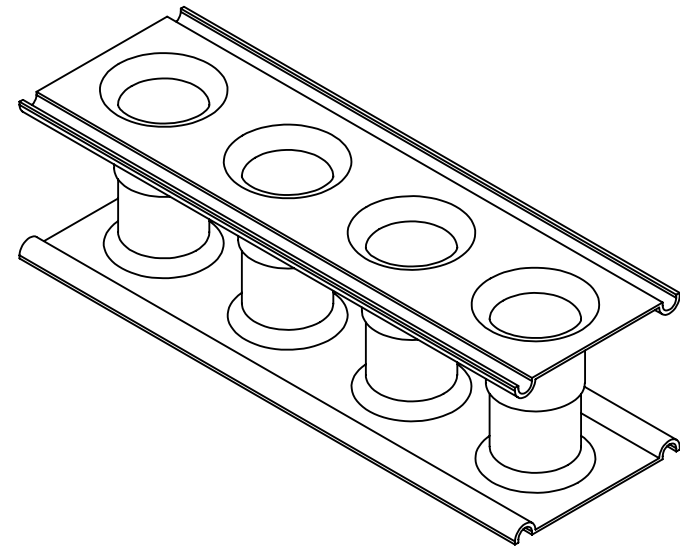
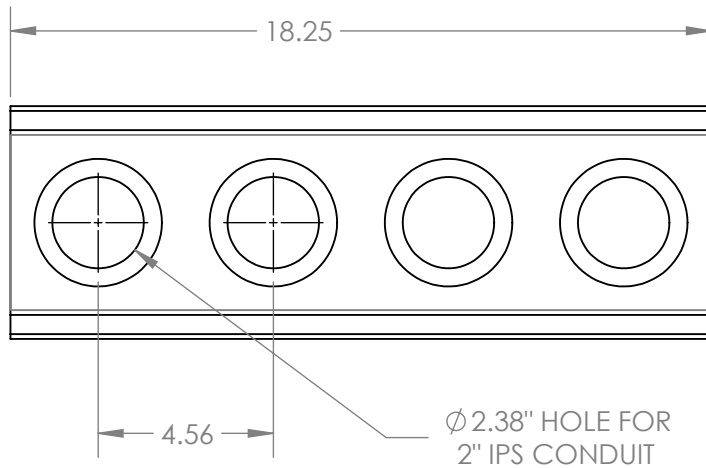
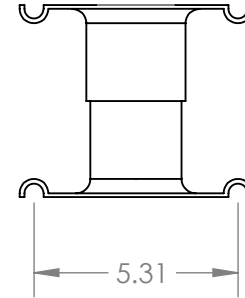
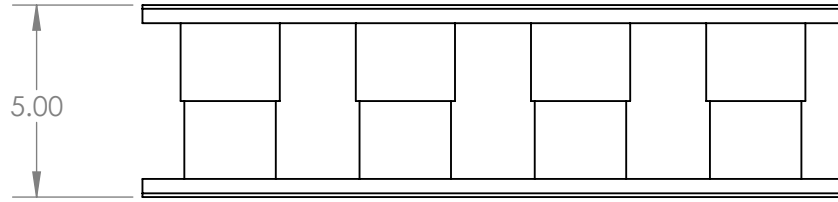
**Formex**<sup>®</sup>  
 manufacturing, inc.

TITLE:  
**TERMINATOR**

SIZE <b>A</b>	DWG. NO. FX-3753-A	REV <b>A</b>
------------------	-----------------------	-----------------

SCALE: 1:5 SHEET 53 OF 314

# T2A4-2020-5SW



**PROPRIETARY AND CONFIDENTIAL**  
 THE INFORMATION CONTAINED IN THIS DRAWING IS THE SOLE PROPERTY OF FORMEX MANUFACTURING. ANY REPRODUCTION IN PART OR AS A WHOLE WITHOUT THE WRITTEN PERMISSION OF FORMEX MANUFACTURING IS PROHIBITED.

UNLESS OTHERWISE SPECIFIED:		NAME	DATE
DIMENSIONS ARE IN INCHES TOLERANCES: FRACTIONAL $\pm 1/32"$ ANGULAR: $\pm 2^\circ$ TWO PLACE DECIMAL $\pm 0.03"$ THREE PLACE DECIMAL $\pm 0.010"$	DRAWN	HKF	6/28/2024
	CHECKED		
	ENG APPR.		
	MFG APPR.		
INTERPRET GEOMETRIC TOLERANCING PER:	Q.A.		
MATERIAL ABS	COMMENTS:		
FINISH GRAY / SMOOTH			
DO NOT SCALE DRAWING			

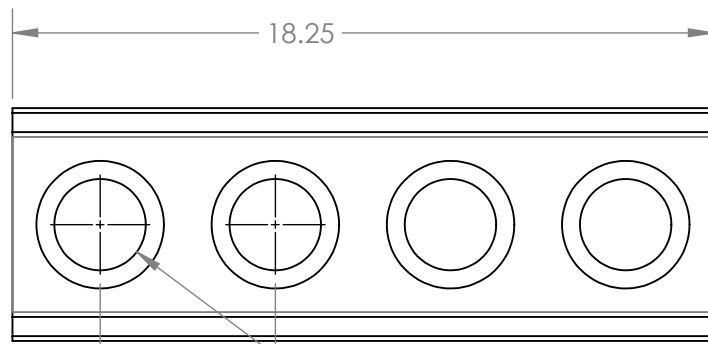
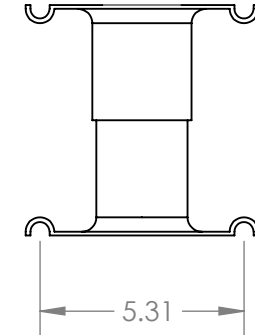
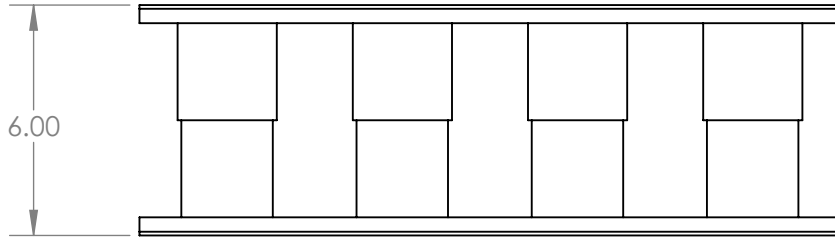
**Formex**<sup>®</sup>  
 manufacturing, inc.

TITLE:  
**TERMINATOR**

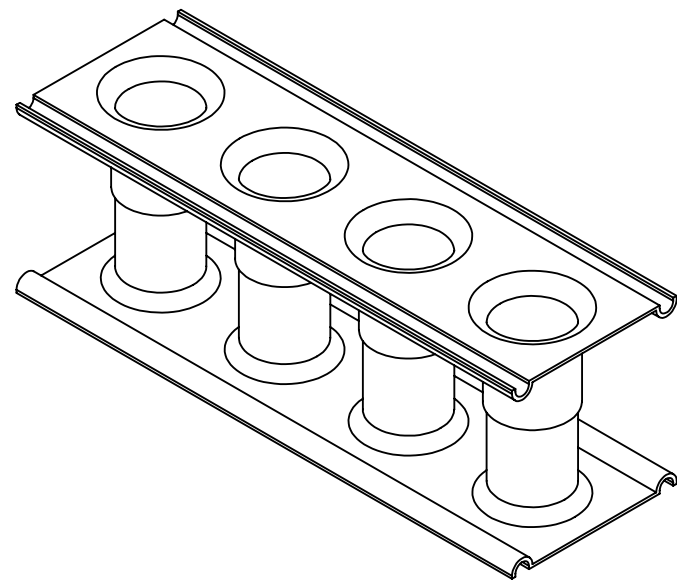
SIZE <b>A</b>	DWG. NO. FX-3753-A	REV <b>A</b>
------------------	-----------------------	-----------------

SCALE: 1:5 SHEET 54 OF 314

# T2A4-2020-6SW



Ø2.38" HOLE FOR  
2" IPS CONDUIT



**PROPRIETARY AND CONFIDENTIAL**  
THE INFORMATION CONTAINED IN THIS DRAWING IS THE SOLE PROPERTY OF FORMEX MANUFACTURING. ANY REPRODUCTION IN PART OR AS A WHOLE WITHOUT THE WRITTEN PERMISSION OF FORMEX MANUFACTURING IS PROHIBITED.

UNLESS OTHERWISE SPECIFIED:	NAME	DATE
DIMENSIONS ARE IN INCHES	DRAWN	HKF 6/28/2024
TOLERANCES:	CHECKED	
FRACTIONAL ±1/32"	ENG APPR.	
ANGULAR: ±2°	MFG APPR.	
TWO PLACE DECIMAL ±0.03"	Q.A.	
THREE PLACE DECIMAL ±0.010"	COMMENTS:	
INTERPRET GEOMETRIC TOLERANCING PER:		
MATERIAL		
ABS		
FINISH		
GRAY / SMOOTH		
DO NOT SCALE DRAWING		

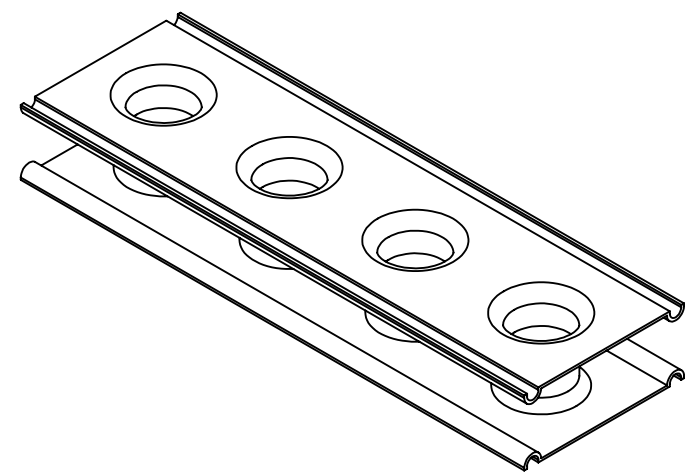
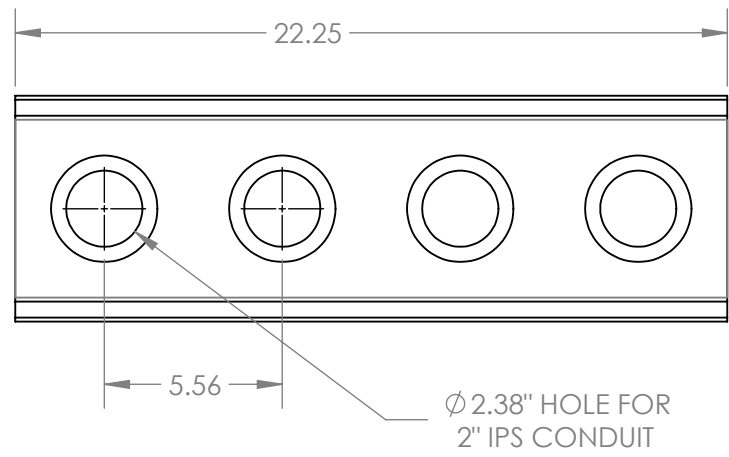
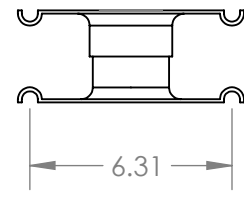
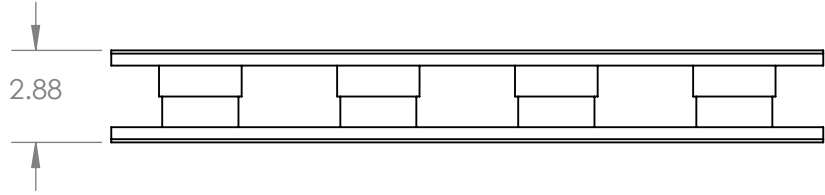
**Formex**<sup>®</sup>  
manufacturing, inc.

TITLE:  
**TERMINATOR**

SIZE <b>A</b>	DWG. NO. FX-3753-A	REV <b>A</b>
------------------	-----------------------	-----------------

SCALE: 1:5 SHEET 55 OF 314

# T2A4-3030-2 7/8SW



**PROPRIETARY AND CONFIDENTIAL**  
 THE INFORMATION CONTAINED IN THIS DRAWING IS THE SOLE PROPERTY OF FORMEX MANUFACTURING. ANY REPRODUCTION IN PART OR AS A WHOLE WITHOUT THE WRITTEN PERMISSION OF FORMEX MANUFACTURING IS PROHIBITED.

UNLESS OTHERWISE SPECIFIED:	NAME	DATE
DIMENSIONS ARE IN INCHES	DRAWN	HKF 6/28/2024
TOLERANCES:	CHECKED	
FRACTIONAL ±1/32"	ENG APPR.	
ANGULAR: ±2°	MFG APPR.	
TWO PLACE DECIMAL ±0.03"	Q.A.	
THREE PLACE DECIMAL ±0.010"	COMMENTS:	
INTERPRET GEOMETRIC TOLERANCING PER:		
MATERIAL		
ABS		
FINISH		
GRAY / SMOOTH		
DO NOT SCALE DRAWING		



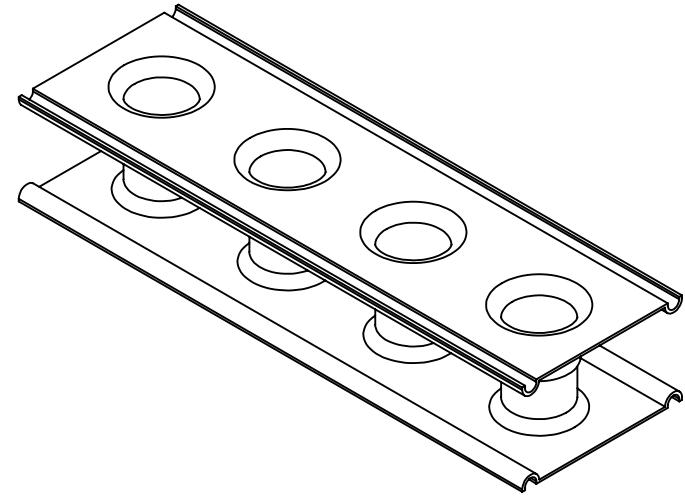
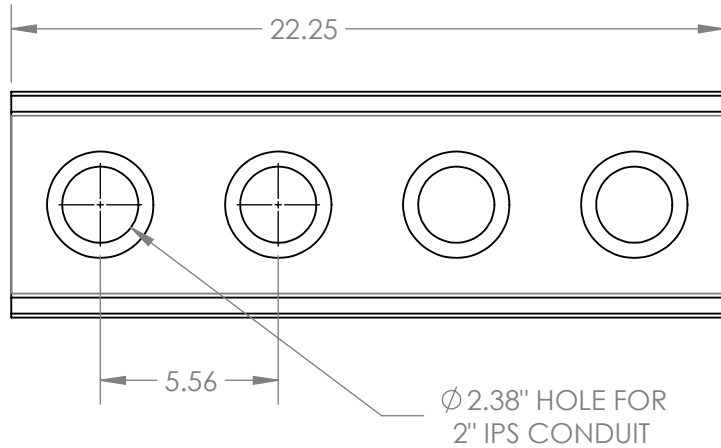
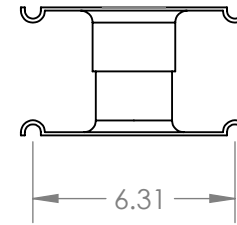
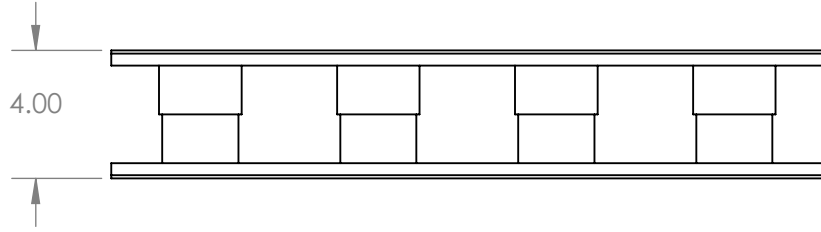
TITLE:  
**TERMINATOR**

SIZE	DWG. NO.	REV
<b>A</b>	FX-3753-A	<b>A</b>

SCALE: 1:6 SHEET 56 OF 314



# T2A4-3030-4SW



**PROPRIETARY AND CONFIDENTIAL**  
 THE INFORMATION CONTAINED IN THIS DRAWING IS THE SOLE PROPERTY OF FORMEX MANUFACTURING. ANY REPRODUCTION IN PART OR AS A WHOLE WITHOUT THE WRITTEN PERMISSION OF FORMEX MANUFACTURING IS PROHIBITED.

UNLESS OTHERWISE SPECIFIED:		NAME	DATE
DIMENSIONS ARE IN INCHES	DRAWN	HKF	6/28/2024
TOLERANCES:	CHECKED		
FRACTIONAL $\pm 1/32"$	ENG APPR.		
ANGULAR: $\pm 2^\circ$	MFG APPR.		
TWO PLACE DECIMAL $\pm 0.03"$	Q.A.		
THREE PLACE DECIMAL $\pm 0.010"$	COMMENTS:		
INTERPRET GEOMETRIC TOLERANCING PER:			
MATERIAL			
ABS			
FINISH			
GRAY / SMOOTH			
DO NOT SCALE DRAWING			

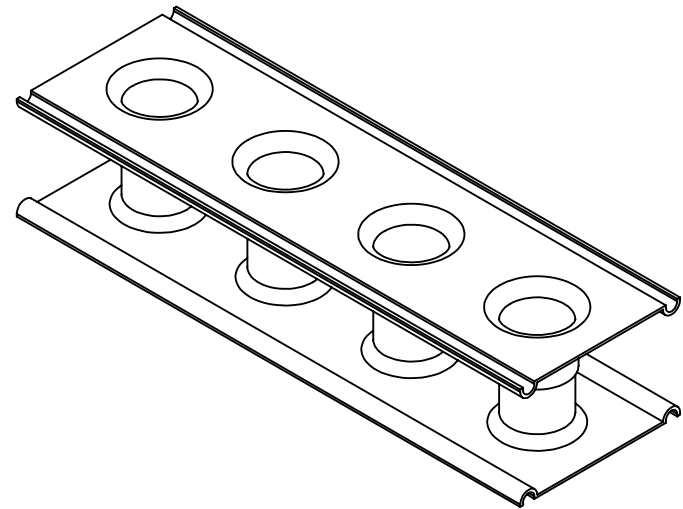
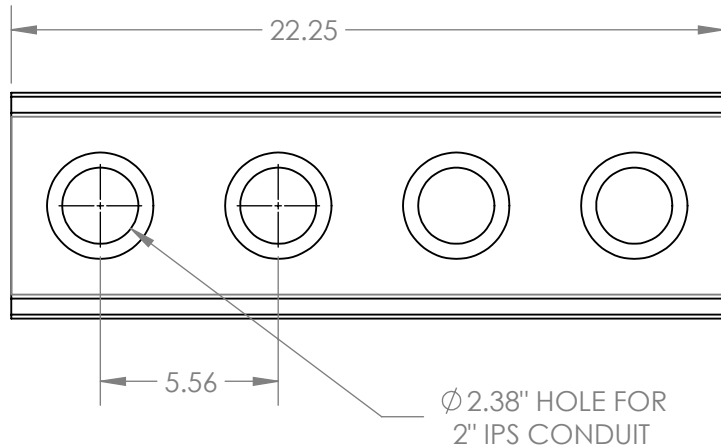
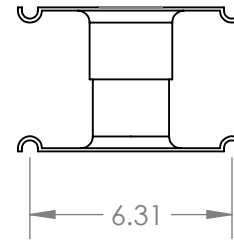
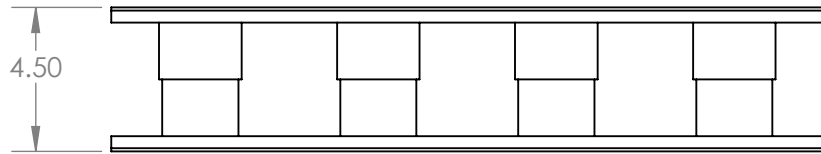
**Formex**<sup>®</sup>  
 manufacturing, inc.

TITLE:  
**TERMINATOR**

SIZE <b>A</b>	DWG. NO. FX-3753-A	REV <b>A</b>
------------------	-----------------------	-----------------

SCALE: 1:6 SHEET 57 OF 314

# T2A4-3030-4 1/2SW



**PROPRIETARY AND CONFIDENTIAL**  
 THE INFORMATION CONTAINED IN THIS DRAWING IS THE SOLE PROPERTY OF FORMEX MANUFACTURING. ANY REPRODUCTION IN PART OR AS A WHOLE WITHOUT THE WRITTEN PERMISSION OF FORMEX MANUFACTURING IS PROHIBITED.

UNLESS OTHERWISE SPECIFIED:		NAME	DATE
DIMENSIONS ARE IN INCHES	DRAWN	HKF	6/28/2024
TOLERANCES:	CHECKED		
FRACTIONAL ±1/32"	ENG APPR.		
ANGULAR: ±2°	MFG APPR.		
TWO PLACE DECIMAL ±0.03"	Q.A.		
THREE PLACE DECIMAL ±0.010"	COMMENTS:		
INTERPRET GEOMETRIC TOLERANCING PER:			
MATERIAL			
ABS			
FINISH			
GRAY / SMOOTH			
DO NOT SCALE DRAWING			

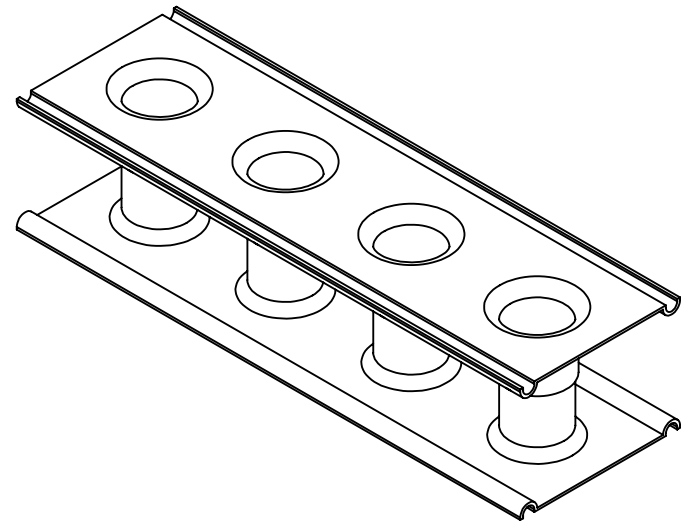
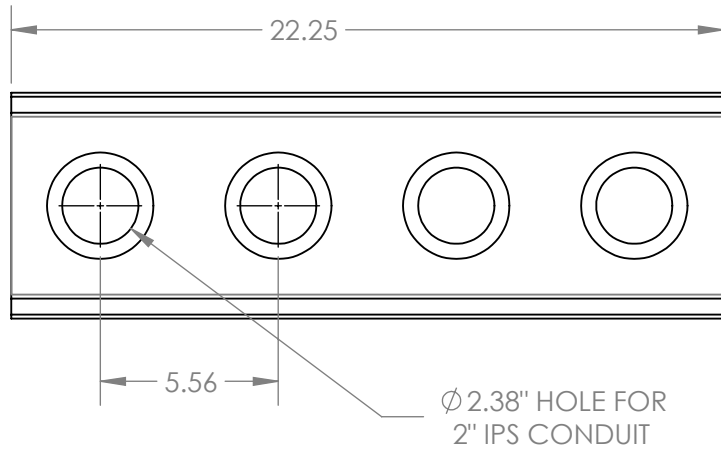
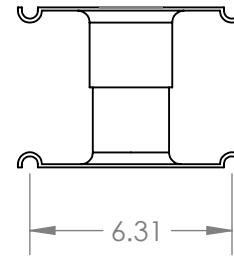
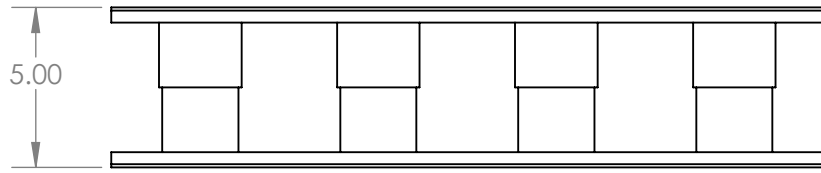
**Formex**<sup>®</sup>  
 manufacturing, inc.

TITLE:  
**TERMINATOR**

SIZE <b>A</b>	DWG. NO. FX-3753-A	REV <b>A</b>
------------------	-----------------------	-----------------

SCALE: 1:6 SHEET 58 OF 314

# T2A4-3030-5SW



**PROPRIETARY AND CONFIDENTIAL**  
 THE INFORMATION CONTAINED IN THIS DRAWING IS THE SOLE PROPERTY OF FORMEX MANUFACTURING. ANY REPRODUCTION IN PART OR AS A WHOLE WITHOUT THE WRITTEN PERMISSION OF FORMEX MANUFACTURING IS PROHIBITED.

UNLESS OTHERWISE SPECIFIED:	NAME	DATE
DIMENSIONS ARE IN INCHES	DRAWN	HKF 6/28/2024
TOLERANCES:	CHECKED	
FRACTIONAL ±1/32"	ENG APPR.	
ANGULAR: ±2°	MFG APPR.	
TWO PLACE DECIMAL ±0.03"	Q.A.	
THREE PLACE DECIMAL ±0.010"	COMMENTS:	
INTERPRET GEOMETRIC TOLERANCING PER:		
MATERIAL		
ABS		
FINISH		
GRAY / SMOOTH		
DO NOT SCALE DRAWING		

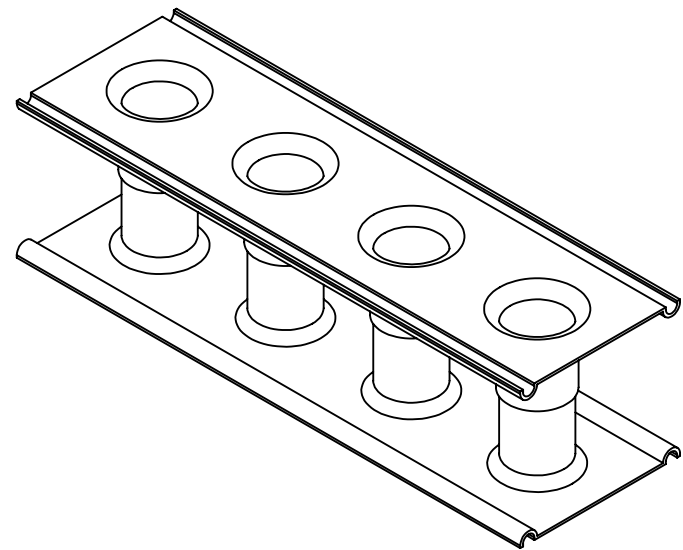
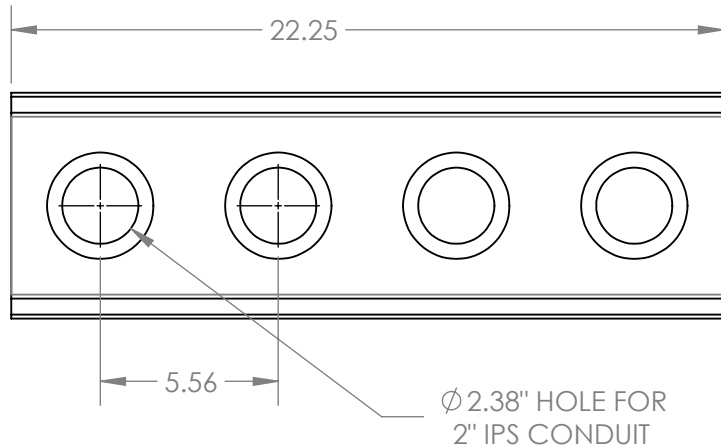
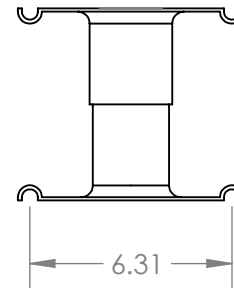
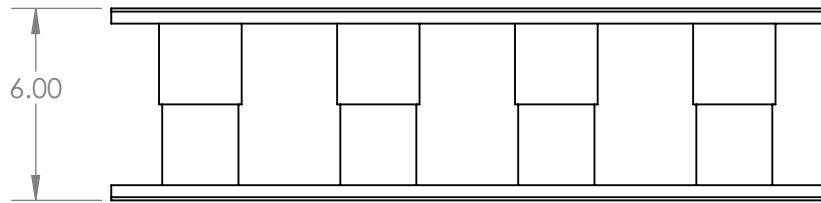
**Formex**<sup>®</sup>  
 manufacturing, inc.

TITLE:  
**TERMINATOR**

SIZE <b>A</b>	DWG. NO. FX-3753-A	REV <b>A</b>
------------------	-----------------------	-----------------

SCALE: 1:6 SHEET 59 OF 314

# T2A4-3030-6SW



**PROPRIETARY AND CONFIDENTIAL**  
 THE INFORMATION CONTAINED IN THIS DRAWING IS THE SOLE PROPERTY OF FORMEX MANUFACTURING. ANY REPRODUCTION IN PART OR AS A WHOLE WITHOUT THE WRITTEN PERMISSION OF FORMEX MANUFACTURING IS PROHIBITED.

UNLESS OTHERWISE SPECIFIED:	NAME	DATE
DIMENSIONS ARE IN INCHES	DRAWN	HKF 6/28/2024
TOLERANCES:	CHECKED	
FRACTIONAL ±1/32"	ENG APPR.	
ANGULAR: ±2°	MFG APPR.	
TWO PLACE DECIMAL ±0.03"	Q.A.	
THREE PLACE DECIMAL ±0.010"	COMMENTS:	
INTERPRET GEOMETRIC TOLERANCING PER:		
MATERIAL		
ABS		
FINISH		
GRAY / SMOOTH		
DO NOT SCALE DRAWING		

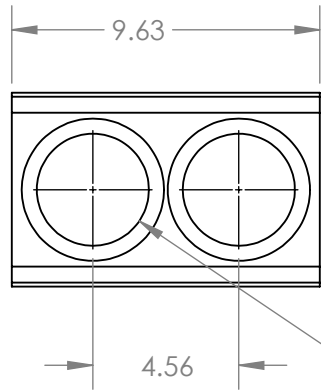
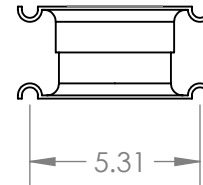
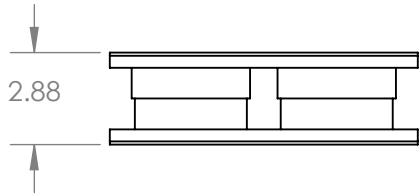
**Formex**<sup>®</sup>  
 manufacturing, inc.

TITLE:  
**TERMINATOR**

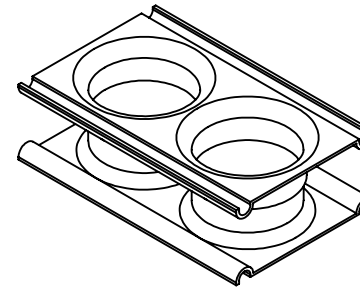
SIZE	DWG. NO.	REV
<b>A</b>	FX-3753-A	<b>A</b>

SCALE: 1:6 SHEET 60 OF 314

# T3A2-1010-2 7/8SW



Ø 3.50" HOLE FOR  
3" IPS CONDUIT



**PROPRIETARY AND CONFIDENTIAL**  
THE INFORMATION CONTAINED IN THIS DRAWING IS THE SOLE PROPERTY OF FORMEX MANUFACTURING. ANY REPRODUCTION IN PART OR AS A WHOLE WITHOUT THE WRITTEN PERMISSION OF FORMEX MANUFACTURING IS PROHIBITED.

UNLESS OTHERWISE SPECIFIED:		NAME	DATE
DIMENSIONS ARE IN INCHES TOLERANCES: FRACTIONAL ±1/32" ANGULAR: ±2° TWO PLACE DECIMAL ±0.03" THREE PLACE DECIMAL ±0.010"	DRAWN	HKF	6/28/2024
	CHECKED		
	ENG APPR.		
	MFG APPR.		
INTERPRET GEOMETRIC TOLERANCING PER:	Q.A.		
MATERIAL ABS	COMMENTS:		
FINISH GRAY / SMOOTH			
DO NOT SCALE DRAWING			

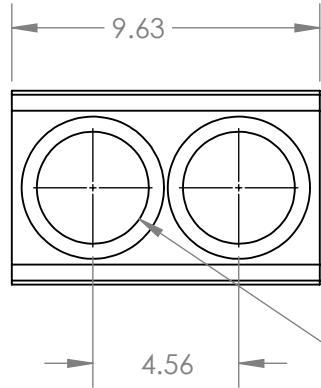
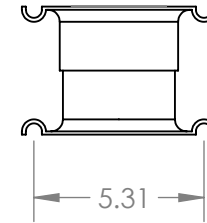
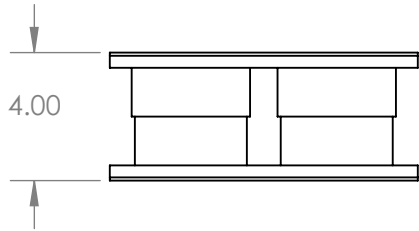
**Formex**<sup>®</sup>  
manufacturing, inc.

TITLE:  
**TERMINATOR**

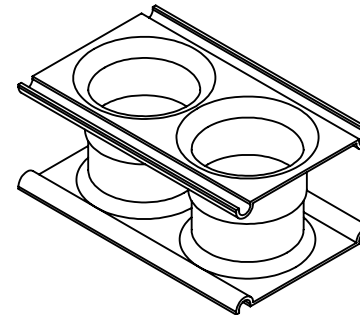
SIZE <b>A</b>	DWG. NO. FX-3753-A	REV <b>A</b>
------------------	-----------------------	-----------------

SCALE: 1:6 SHEET 61 OF 314

# T3A2-1010-4SW



Ø 3.50" HOLE FOR  
3" IPS CONDUIT



**PROPRIETARY AND CONFIDENTIAL**  
THE INFORMATION CONTAINED IN THIS DRAWING IS THE SOLE PROPERTY OF FORMEX MANUFACTURING. ANY REPRODUCTION IN PART OR AS A WHOLE WITHOUT THE WRITTEN PERMISSION OF FORMEX MANUFACTURING IS PROHIBITED.

UNLESS OTHERWISE SPECIFIED:		NAME	DATE
DIMENSIONS ARE IN INCHES TOLERANCES: FRACTIONAL ±1/32" ANGULAR: ±2° TWO PLACE DECIMAL ±0.03" THREE PLACE DECIMAL ±0.010"	DRAWN	HKF	6/28/2024
	CHECKED		
	ENG APPR.		
	MFG APPR.		
INTERPRET GEOMETRIC TOLERANCING PER:	Q.A.		
MATERIAL ABS	COMMENTS:		
FINISH GRAY / SMOOTH			
DO NOT SCALE DRAWING			

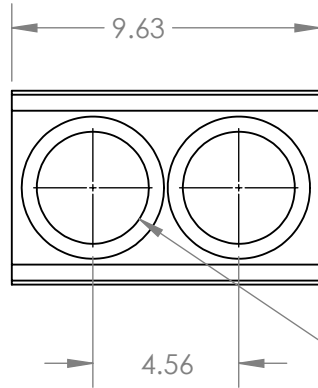
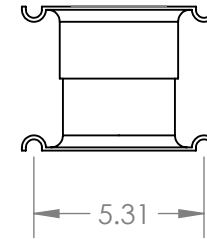
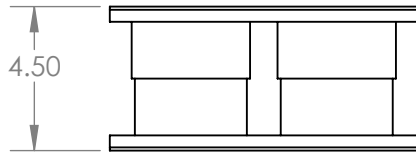
**Formex**<sup>®</sup>  
manufacturing, inc.

TITLE:  
**TERMINATOR**

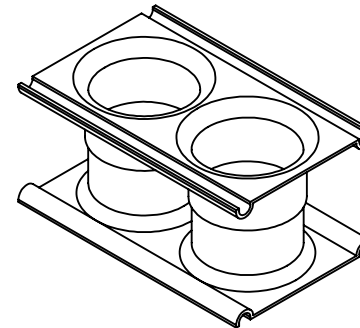
SIZE <b>A</b>	DWG. NO. FX-3753-A	REV <b>A</b>
------------------	-----------------------	-----------------

SCALE: 1:6 SHEET 62 OF 314

# T3A2-1010-4 1/2SW



Ø 3.50" HOLE FOR  
3" IPS CONDUIT



**PROPRIETARY AND CONFIDENTIAL**  
THE INFORMATION CONTAINED IN THIS DRAWING IS THE SOLE PROPERTY OF FORMEX MANUFACTURING. ANY REPRODUCTION IN PART OR AS A WHOLE WITHOUT THE WRITTEN PERMISSION OF FORMEX MANUFACTURING IS PROHIBITED.

UNLESS OTHERWISE SPECIFIED:		NAME	DATE
DIMENSIONS ARE IN INCHES TOLERANCES: FRACTIONAL ±1/32" ANGULAR: ±2° TWO PLACE DECIMAL ±0.03" THREE PLACE DECIMAL ±0.010"	DRAWN	HKF	6/28/2024
	CHECKED		
	ENG APPR.		
	MFG APPR.		
INTERPRET GEOMETRIC TOLERANCING PER:	Q.A.		
MATERIAL ABS	COMMENTS:		
FINISH GRAY / SMOOTH			
DO NOT SCALE DRAWING			

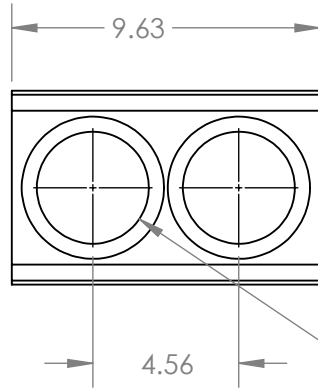
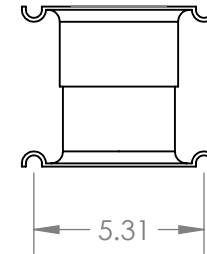
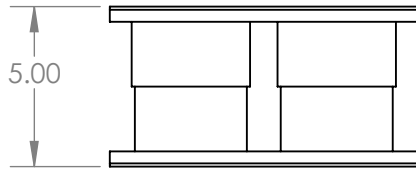
**Formex**<sup>®</sup>  
manufacturing, inc.

TITLE:  
**TERMINATOR**

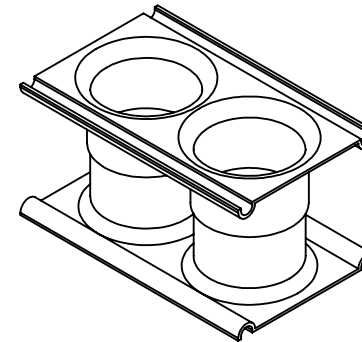
SIZE <b>A</b>	DWG. NO. FX-3753-A	REV <b>A</b>
------------------	-----------------------	-----------------

SCALE: 1:6 SHEET 63 OF 314

# T3A2-1010-5SW



Ø 3.50" HOLE FOR  
3" IPS CONDUIT



**PROPRIETARY AND CONFIDENTIAL**  
THE INFORMATION CONTAINED IN THIS DRAWING IS THE SOLE PROPERTY OF FORMEX MANUFACTURING. ANY REPRODUCTION IN PART OR AS A WHOLE WITHOUT THE WRITTEN PERMISSION OF FORMEX MANUFACTURING IS PROHIBITED.

UNLESS OTHERWISE SPECIFIED:		NAME	DATE
DIMENSIONS ARE IN INCHES TOLERANCES: FRACTIONAL ±1/32" ANGULAR: ±2° TWO PLACE DECIMAL ±0.03" THREE PLACE DECIMAL ±0.010"	DRAWN	HKF	6/28/2024
	CHECKED		
	ENG APPR.		
	MFG APPR.		
INTERPRET GEOMETRIC TOLERANCING PER:	Q.A.		
MATERIAL ABS	COMMENTS:		
FINISH GRAY / SMOOTH			
DO NOT SCALE DRAWING			

**Formex**<sup>®</sup>  
manufacturing, inc.

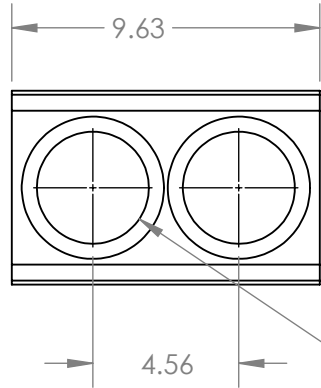
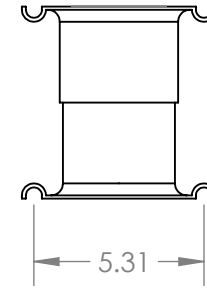
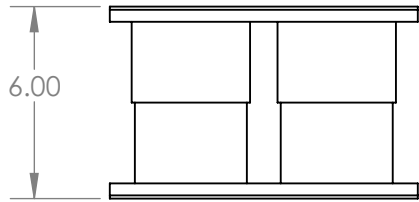
TITLE:  
**TERMINATOR**

SIZE <b>A</b>	DWG. NO. FX-3753-A	REV <b>A</b>
------------------	-----------------------	-----------------

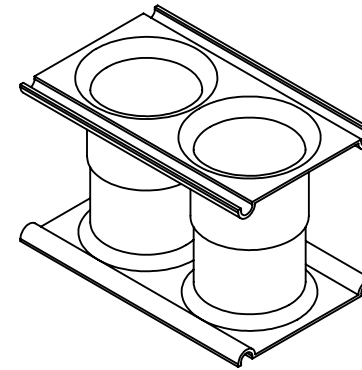
SCALE: 1:6 SHEET 64 OF 314



# T3A2-1010-6SW



Ø 3.50" HOLE FOR  
3" IPS CONDUIT



**PROPRIETARY AND CONFIDENTIAL**  
THE INFORMATION CONTAINED IN THIS DRAWING IS THE SOLE PROPERTY OF FORMEX MANUFACTURING. ANY REPRODUCTION IN PART OR AS A WHOLE WITHOUT THE WRITTEN PERMISSION OF FORMEX MANUFACTURING IS PROHIBITED.

UNLESS OTHERWISE SPECIFIED:		NAME	DATE
DIMENSIONS ARE IN INCHES TOLERANCES: FRACTIONAL $\pm 1/32"$ ANGULAR: $\pm 2^\circ$ TWO PLACE DECIMAL $\pm 0.03"$ THREE PLACE DECIMAL $\pm 0.010"$	DRAWN	HKF	6/28/2024
	CHECKED		
	ENG APPR.		
	MFG APPR.		
INTERPRET GEOMETRIC TOLERANCING PER:	Q.A.		
MATERIAL ABS	COMMENTS:		
FINISH GRAY / SMOOTH			
DO NOT SCALE DRAWING			

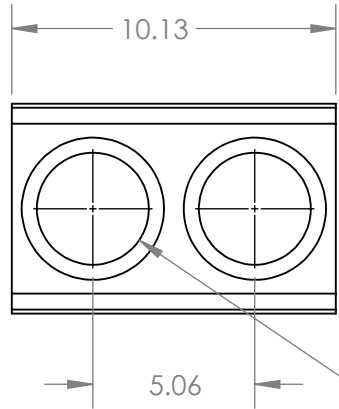
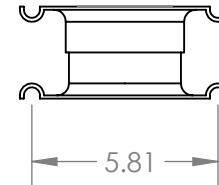
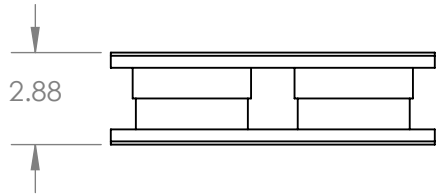
**Formex**<sup>®</sup>  
manufacturing, inc.

TITLE:  
**TERMINATOR**

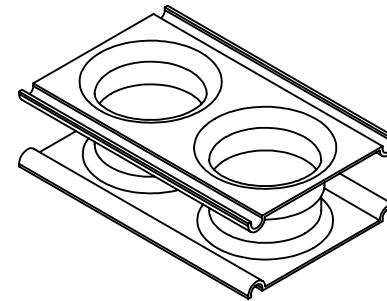
SIZE <b>A</b>	DWG. NO. FX-3753-A	REV <b>A</b>
------------------	-----------------------	-----------------

SCALE: 1:6 SHEET 65 OF 314

# T3A2-1515-2 7/8SW



Ø 3.50" HOLE FOR  
3" IPS CONDUIT



**PROPRIETARY AND CONFIDENTIAL**  
THE INFORMATION CONTAINED IN THIS DRAWING IS THE SOLE PROPERTY OF FORMEX MANUFACTURING. ANY REPRODUCTION IN PART OR AS A WHOLE WITHOUT THE WRITTEN PERMISSION OF FORMEX MANUFACTURING IS PROHIBITED.

UNLESS OTHERWISE SPECIFIED:		NAME	DATE
DIMENSIONS ARE IN INCHES	DRAWN	HKF	6/28/2024
TOLERANCES:	CHECKED		
FRACTIONAL ±1/32"	ENG APPR.		
ANGULAR: ±2°	MFG APPR.		
TWO PLACE DECIMAL ±0.03"	Q.A.		
THREE PLACE DECIMAL ±0.010"	COMMENTS:		
INTERPRET GEOMETRIC TOLERANCING PER:			
MATERIAL			
ABS			
FINISH			
GRAY / SMOOTH			
DO NOT SCALE DRAWING			

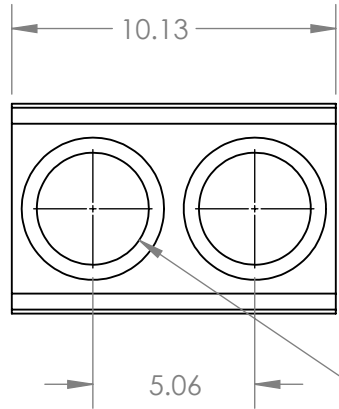
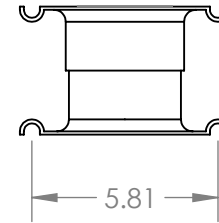
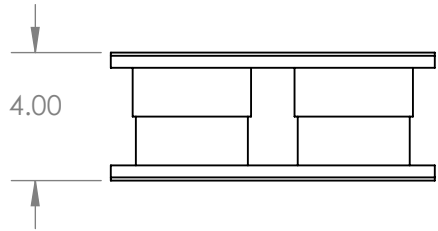
**Formex**<sup>®</sup>  
manufacturing, inc.

TITLE:  
**TERMINATOR**

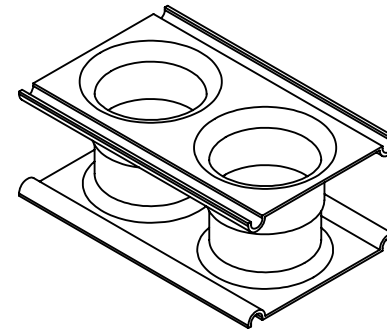
SIZE <b>A</b>	DWG. NO. FX-3753-A	REV <b>A</b>
------------------	-----------------------	-----------------

SCALE: 1:6 SHEET 66 OF 314

# T3A2-1515-4SW



Ø 3.50" HOLE FOR  
3" IPS CONDUIT



**PROPRIETARY AND CONFIDENTIAL**  
THE INFORMATION CONTAINED IN THIS DRAWING IS THE SOLE PROPERTY OF FORMEX MANUFACTURING. ANY REPRODUCTION IN PART OR AS A WHOLE WITHOUT THE WRITTEN PERMISSION OF FORMEX MANUFACTURING IS PROHIBITED.

UNLESS OTHERWISE SPECIFIED:	NAME	DATE
DIMENSIONS ARE IN INCHES	DRAWN	HKF 6/28/2024
TOLERANCES:	CHECKED	
FRACTIONAL ±1/32"	ENG APPR.	
ANGULAR: ±2°	MFG APPR.	
TWO PLACE DECIMAL ±0.03"	Q.A.	
THREE PLACE DECIMAL ±0.010"	COMMENTS:	
INTERPRET GEOMETRIC TOLERANCING PER:		
MATERIAL		
ABS		
FINISH		
GRAY / SMOOTH		
DO NOT SCALE DRAWING		

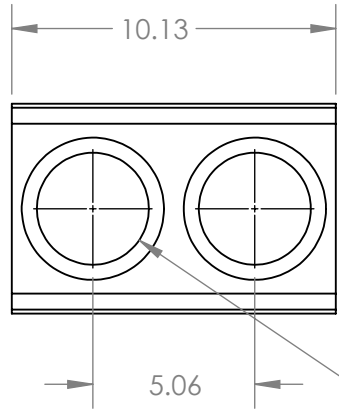
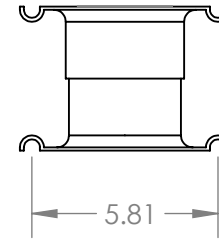
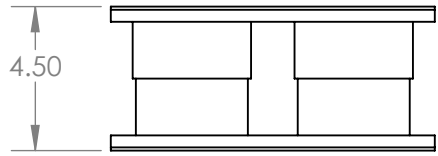
**Formex**<sup>®</sup>  
manufacturing, inc.

TITLE:  
**TERMINATOR**

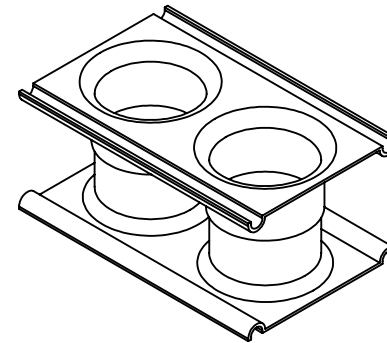
SIZE <b>A</b>	DWG. NO. FX-3753-A	REV <b>A</b>
------------------	-----------------------	-----------------

SCALE: 1:6 SHEET 67 OF 314

# T3A2-1515-4 1/2SW



Ø 3.50" HOLE FOR  
3" IPS CONDUIT



**PROPRIETARY AND CONFIDENTIAL**  
THE INFORMATION CONTAINED IN THIS DRAWING IS THE SOLE PROPERTY OF FORMEX MANUFACTURING. ANY REPRODUCTION IN PART OR AS A WHOLE WITHOUT THE WRITTEN PERMISSION OF FORMEX MANUFACTURING IS PROHIBITED.

UNLESS OTHERWISE SPECIFIED:	NAME	DATE
DIMENSIONS ARE IN INCHES	DRAWN	HKF 6/28/2024
TOLERANCES:	CHECKED	
FRACTIONAL ±1/32"	ENG APPR.	
ANGULAR: ±2°	MFG APPR.	
TWO PLACE DECIMAL ±0.03"	Q.A.	
THREE PLACE DECIMAL ±0.010"	COMMENTS:	
INTERPRET GEOMETRIC TOLERANCING PER:		
MATERIAL		
ABS		
FINISH		
GRAY / SMOOTH		
DO NOT SCALE DRAWING		

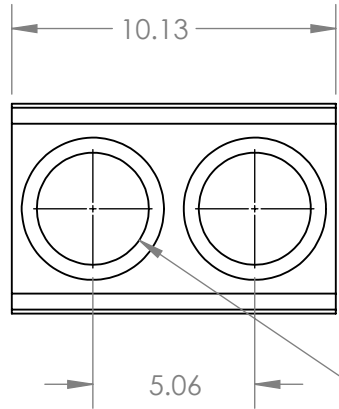
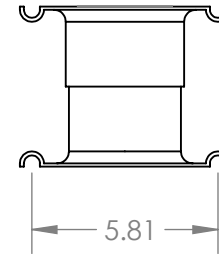
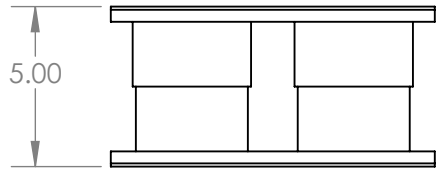
**Formex**<sup>®</sup>  
manufacturing, inc.

TITLE:  
**TERMINATOR**

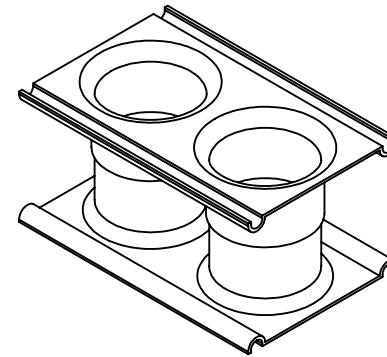
SIZE <b>A</b>	DWG. NO. FX-3753-A	REV <b>A</b>
------------------	-----------------------	-----------------

SCALE: 1:6 SHEET 68 OF 314

# T3A2-1515-5SW



Ø 3.50" HOLE FOR  
3" IPS CONDUIT



**PROPRIETARY AND CONFIDENTIAL**  
THE INFORMATION CONTAINED IN THIS DRAWING IS THE SOLE PROPERTY OF FORMEX MANUFACTURING. ANY REPRODUCTION IN PART OR AS A WHOLE WITHOUT THE WRITTEN PERMISSION OF FORMEX MANUFACTURING IS PROHIBITED.

UNLESS OTHERWISE SPECIFIED:	NAME	DATE
DIMENSIONS ARE IN INCHES	DRAWN	HKF 6/28/2024
TOLERANCES:	CHECKED	
FRACTIONAL ±1/32"	ENG APPR.	
ANGULAR: ±2°	MFG APPR.	
TWO PLACE DECIMAL ±0.03"	Q.A.	
THREE PLACE DECIMAL ±0.010"	COMMENTS:	
INTERPRET GEOMETRIC TOLERANCING PER:		
MATERIAL		
ABS		
FINISH		
GRAY / SMOOTH		
DO NOT SCALE DRAWING		

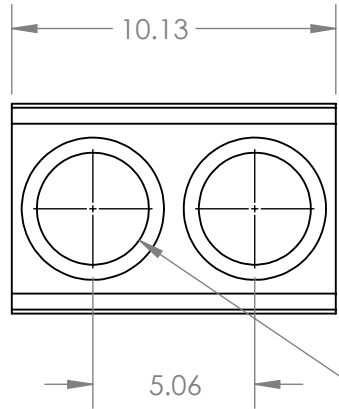
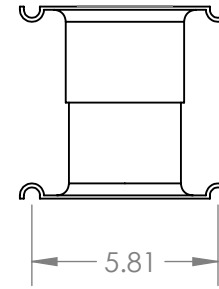
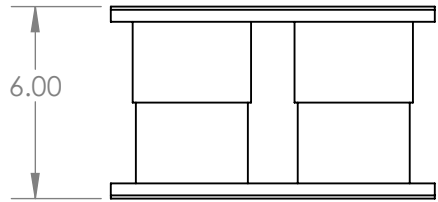
**Formex**<sup>®</sup>  
manufacturing, inc.

TITLE:  
**TERMINATOR**

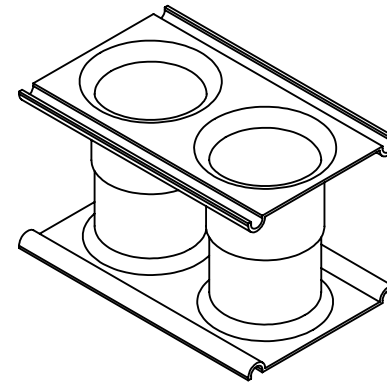
SIZE <b>A</b>	DWG. NO. FX-3753-A	REV <b>A</b>
------------------	-----------------------	-----------------

SCALE: 1:6 SHEET 69 OF 314

# T3A2-1515-6SW



Ø 3.50" HOLE FOR  
3" IPS CONDUIT



**PROPRIETARY AND CONFIDENTIAL**  
THE INFORMATION CONTAINED IN THIS DRAWING IS THE SOLE PROPERTY OF FORMEX MANUFACTURING. ANY REPRODUCTION IN PART OR AS A WHOLE WITHOUT THE WRITTEN PERMISSION OF FORMEX MANUFACTURING IS PROHIBITED.

UNLESS OTHERWISE SPECIFIED:	NAME	DATE
DIMENSIONS ARE IN INCHES	DRAWN	HKF 6/28/2024
TOLERANCES:	CHECKED	
FRACTIONAL ±1/32"	ENG APPR.	
ANGULAR: ±2°	MFG APPR.	
TWO PLACE DECIMAL ±0.03"	Q.A.	
THREE PLACE DECIMAL ±0.010"	COMMENTS:	
INTERPRET GEOMETRIC TOLERANCING PER:		
MATERIAL		
ABS		
FINISH		
GRAY / SMOOTH		
DO NOT SCALE DRAWING		

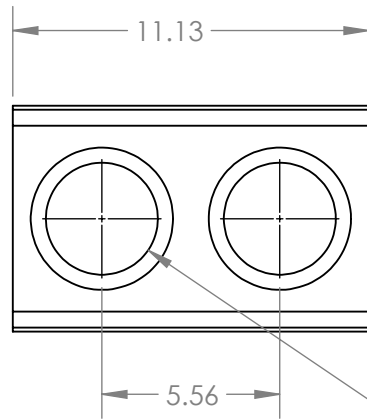
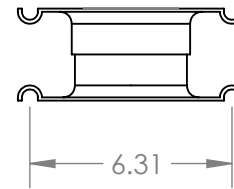
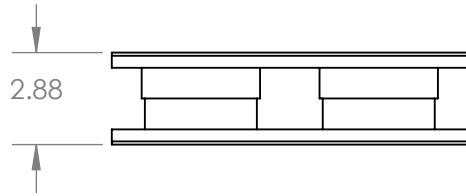
**Formex**<sup>®</sup>  
manufacturing, inc.

TITLE:  
**TERMINATOR**

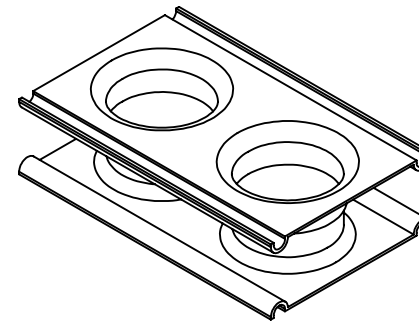
SIZE <b>A</b>	DWG. NO. FX-3753-A	REV <b>A</b>
------------------	-----------------------	-----------------

SCALE: 1:6 SHEET 70 OF 314

# T3A2-2020-2 7/8SW



Ø3.50" HOLE FOR  
3" IPS CONDUIT



**PROPRIETARY AND CONFIDENTIAL**  
THE INFORMATION CONTAINED IN THIS DRAWING IS THE SOLE PROPERTY OF FORMEX MANUFACTURING. ANY REPRODUCTION IN PART OR AS A WHOLE WITHOUT THE WRITTEN PERMISSION OF FORMEX MANUFACTURING IS PROHIBITED.

UNLESS OTHERWISE SPECIFIED:		NAME	DATE
DIMENSIONS ARE IN INCHES TOLERANCES: FRACTIONAL ±1/32" ANGULAR: ±2° TWO PLACE DECIMAL ±0.03" THREE PLACE DECIMAL ±0.010"	DRAWN	HKF	6/28/2024
	CHECKED		
	ENG APPR.		
	MFG APPR.		
INTERPRET GEOMETRIC TOLERANCING PER:	Q.A.		
MATERIAL ABS	COMMENTS:		
FINISH GRAY / SMOOTH			
DO NOT SCALE DRAWING			

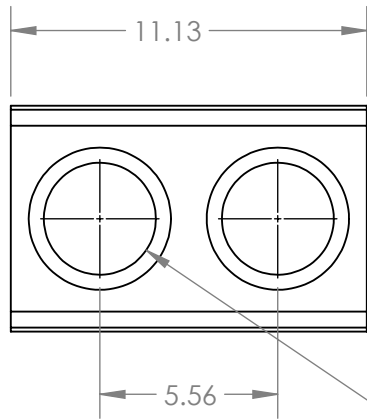
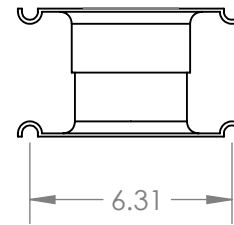
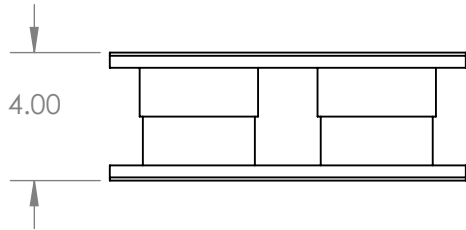
**Formex**<sup>®</sup>  
manufacturing, inc.

TITLE:  
**TERMINATOR**

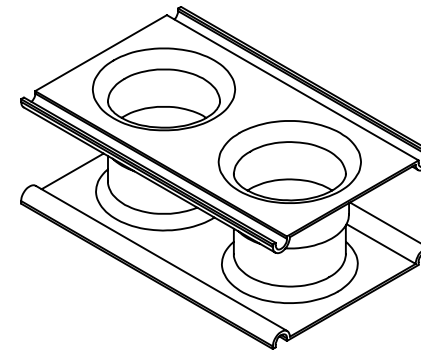
SIZE <b>A</b>	DWG. NO. FX-3753-A	REV <b>A</b>
------------------	-----------------------	-----------------

SCALE: 1:6 SHEET 71 OF 314

# T3A2-2020-4SW



Ø 3.50" HOLE FOR  
3" IPS CONDUIT



**PROPRIETARY AND CONFIDENTIAL**  
THE INFORMATION CONTAINED IN THIS DRAWING IS THE SOLE PROPERTY OF FORMEX MANUFACTURING. ANY REPRODUCTION IN PART OR AS A WHOLE WITHOUT THE WRITTEN PERMISSION OF FORMEX MANUFACTURING IS PROHIBITED.

UNLESS OTHERWISE SPECIFIED:	NAME	DATE
DIMENSIONS ARE IN INCHES	DRAWN	HKF 6/28/2024
TOLERANCES:	CHECKED	
FRACTIONAL: ±1/32"	ENG APPR.	
ANGULAR: ±2°	MFG APPR.	
TWO PLACE DECIMAL ±0.03"	Q.A.	
THREE PLACE DECIMAL ±0.010"	COMMENTS:	
INTERPRET GEOMETRIC TOLERANCING PER:		
MATERIAL		
ABS		
FINISH		
GRAY / SMOOTH		
DO NOT SCALE DRAWING		

**Formex**<sup>®</sup>  
manufacturing, inc.

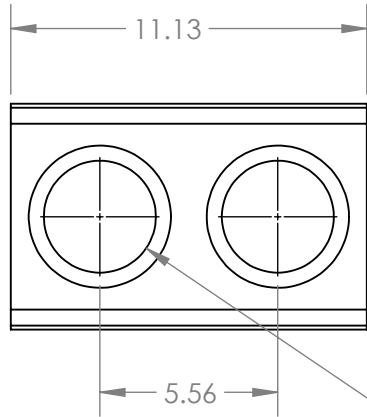
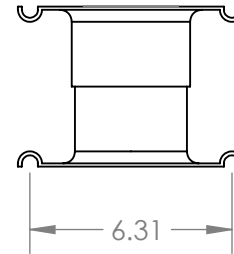
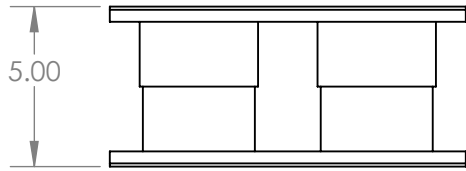
TITLE:  
**TERMINATOR**

SIZE	DWG. NO.	REV
<b>A</b>	FX-3753-A	<b>A</b>

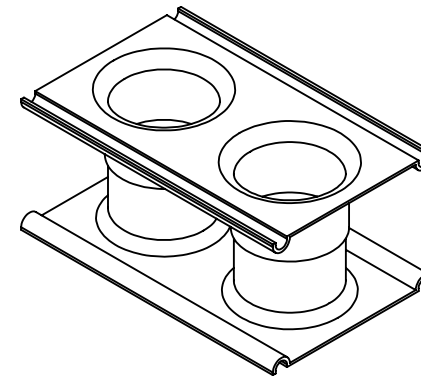
SCALE: 1:6 SHEET 72 OF 314



# T3A2-2020-5SW



Ø3.50" HOLE FOR  
3" IPS CONDUIT



**PROPRIETARY AND CONFIDENTIAL**  
THE INFORMATION CONTAINED IN THIS DRAWING IS THE SOLE PROPERTY OF FORMEX MANUFACTURING. ANY REPRODUCTION IN PART OR AS A WHOLE WITHOUT THE WRITTEN PERMISSION OF FORMEX MANUFACTURING IS PROHIBITED.

UNLESS OTHERWISE SPECIFIED:		NAME	DATE
DIMENSIONS ARE IN INCHES TOLERANCES: FRACTIONAL $\pm 1/32"$ ANGULAR: $\pm 2^\circ$ TWO PLACE DECIMAL $\pm 0.03"$ THREE PLACE DECIMAL $\pm 0.010"$	DRAWN	HKF	6/28/2024
	CHECKED		
	ENG APPR.		
	MFG APPR.		
	Q.A.		
INTERPRET GEOMETRIC TOLERANCING PER:	COMMENTS:		
MATERIAL ABS			
FINISH GRAY / SMOOTH			
DO NOT SCALE DRAWING			

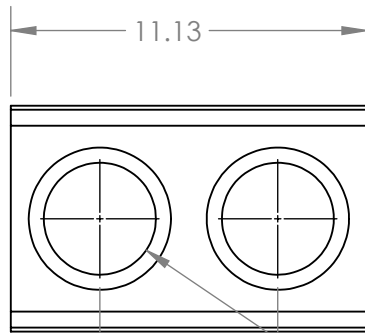
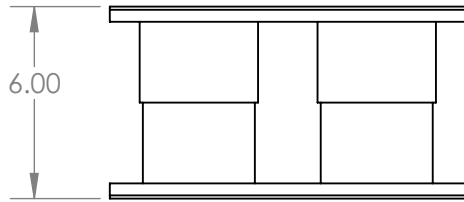
**Formex**<sup>®</sup>  
manufacturing, inc.

TITLE:  
**TERMINATOR**

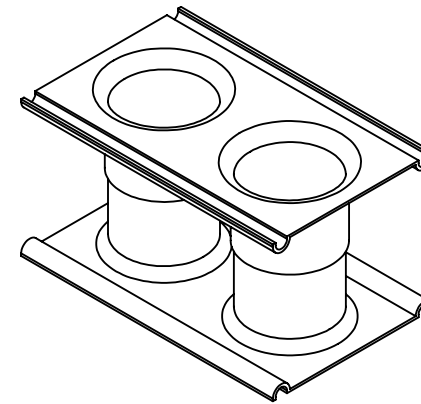
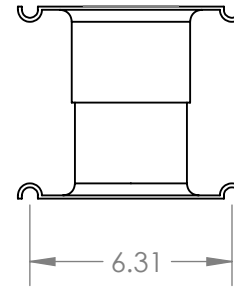
SIZE <b>A</b>	DWG. NO. FX-3753-A	REV <b>A</b>
------------------	-----------------------	-----------------

SCALE: 1:6 SHEET 73 OF 314

# T3A2-2020-6SW



5.56  
 $\varnothing 3.50$ " HOLE FOR  
 3" IPS CONDUIT



**PROPRIETARY AND CONFIDENTIAL**  
 THE INFORMATION CONTAINED IN THIS  
 DRAWING IS THE SOLE PROPERTY OF  
 FORMEX MANUFACTURING. ANY  
 REPRODUCTION IN PART OR AS A WHOLE  
 WITHOUT THE WRITTEN PERMISSION OF  
 FORMEX MANUFACTURING IS  
 PROHIBITED.

UNLESS OTHERWISE SPECIFIED:		NAME	DATE
DIMENSIONS ARE IN INCHES TOLERANCES: FRACTIONAL $\pm 1/32$ " ANGULAR: $\pm 2^\circ$ TWO PLACE DECIMAL $\pm 0.03$ " THREE PLACE DECIMAL $\pm 0.010$ "	DRAWN	HKF	6/28/2024
	CHECKED		
	ENG APPR.		
	MFG APPR.		
INTERPRET GEOMETRIC TOLERANCING PER:	Q.A.		
MATERIAL ABS	COMMENTS:		
FINISH GRAY / SMOOTH			
DO NOT SCALE DRAWING			

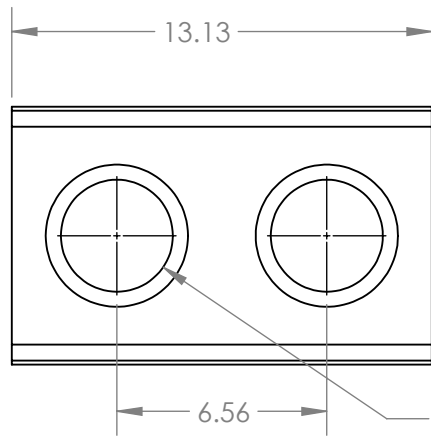
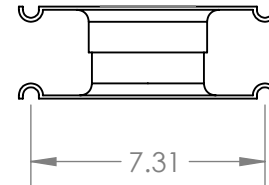
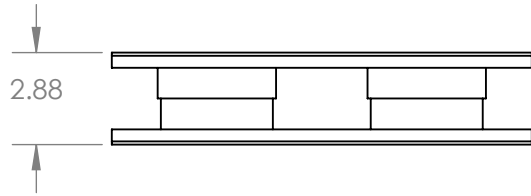
**Formex**<sup>®</sup>  
 manufacturing, inc.

TITLE:  
**TERMINATOR**

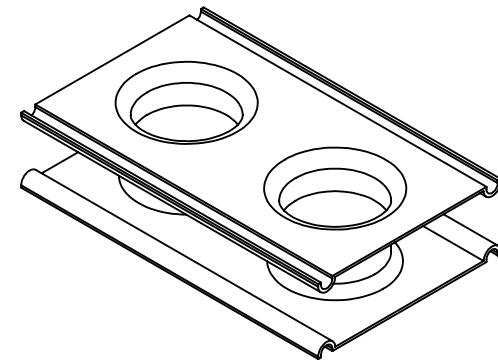
SIZE <b>A</b>	DWG. NO. FX-3753-A	REV <b>A</b>
------------------	-----------------------	-----------------

SCALE: 1:6 SHEET 74 OF 314

# T3A2-3030-2 7/8SW



Ø3.50" HOLE FOR  
3" IPS CONDUIT



**PROPRIETARY AND CONFIDENTIAL**  
THE INFORMATION CONTAINED IN THIS DRAWING IS THE SOLE PROPERTY OF FORMEX MANUFACTURING. ANY REPRODUCTION IN PART OR AS A WHOLE WITHOUT THE WRITTEN PERMISSION OF FORMEX MANUFACTURING IS PROHIBITED.

UNLESS OTHERWISE SPECIFIED:		NAME	DATE
DIMENSIONS ARE IN INCHES	DRAWN	HKF	6/28/2024
TOLERANCES:	CHECKED		
FRACTIONAL: ±1/32"	ENG APPR.		
ANGULAR: ±2°	MFG APPR.		
TWO PLACE DECIMAL ±0.03"	Q.A.		
THREE PLACE DECIMAL ±0.010"	COMMENTS:		
INTERPRET GEOMETRIC TOLERANCING PER:			
MATERIAL			
ABS			
FINISH			
GRAY / SMOOTH			
DO NOT SCALE DRAWING			

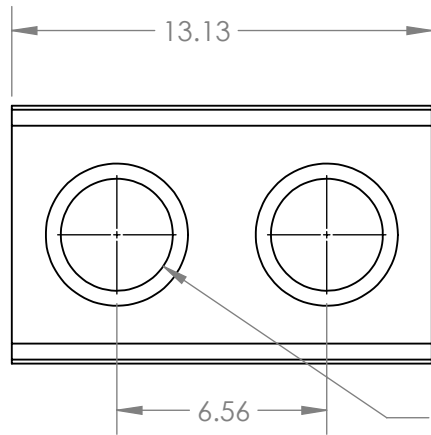
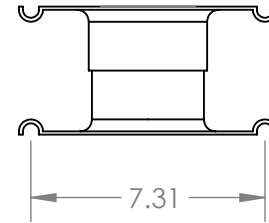
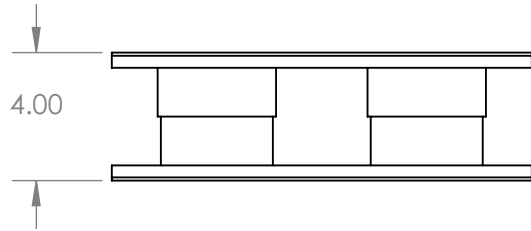
**Formex**<sup>®</sup>  
manufacturing, inc.

TITLE:  
**TERMINATOR**

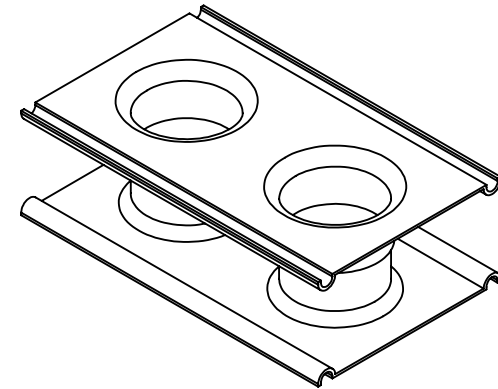
SIZE <b>A</b>	DWG. NO. FX-3753-A	REV <b>A</b>
------------------	-----------------------	-----------------

SCALE: 1:6 SHEET 75 OF 314

# T3A2-3030-4SW



Ø3.50" HOLE FOR  
3" IPS CONDUIT



**PROPRIETARY AND CONFIDENTIAL**  
THE INFORMATION CONTAINED IN THIS DRAWING IS THE SOLE PROPERTY OF FORMEX MANUFACTURING. ANY REPRODUCTION IN PART OR AS A WHOLE WITHOUT THE WRITTEN PERMISSION OF FORMEX MANUFACTURING IS PROHIBITED.

UNLESS OTHERWISE SPECIFIED:		NAME	DATE
DIMENSIONS ARE IN INCHES TOLERANCES: FRACTIONAL $\pm 1/32"$ ANGULAR: $\pm 2^\circ$ TWO PLACE DECIMAL $\pm 0.03"$ THREE PLACE DECIMAL $\pm 0.010"$	DRAWN	HKF	6/28/2024
	CHECKED		
	ENG APPR.		
	MFG APPR.		
INTERPRET GEOMETRIC TOLERANCING PER:	Q.A.		
MATERIAL ABS	COMMENTS:		
FINISH GRAY / SMOOTH			
DO NOT SCALE DRAWING			

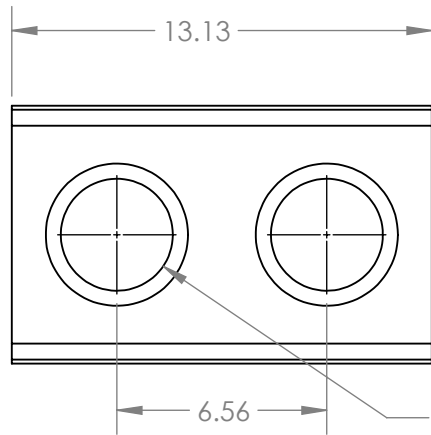
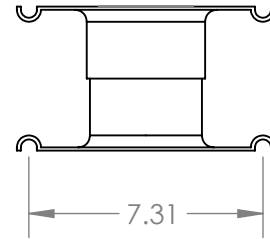
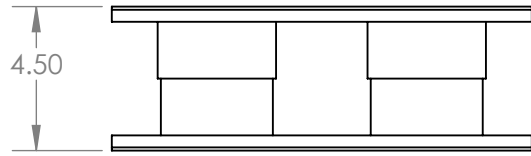
**Formex**<sup>®</sup>  
manufacturing, inc.

TITLE:  
**TERMINATOR**

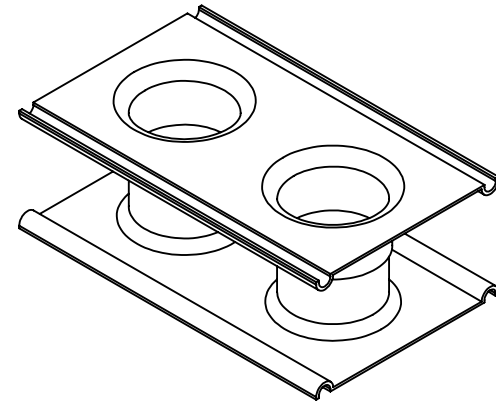
SIZE <b>A</b>	DWG. NO. FX-3753-A	REV <b>A</b>
------------------	-----------------------	-----------------

SCALE: 1:6 SHEET 76 OF 314

# T3A2-3030-4 1/2SW



Ø3.50" HOLE FOR  
3" IPS CONDUIT



**PROPRIETARY AND CONFIDENTIAL**  
THE INFORMATION CONTAINED IN THIS DRAWING IS THE SOLE PROPERTY OF FORMEX MANUFACTURING. ANY REPRODUCTION IN PART OR AS A WHOLE WITHOUT THE WRITTEN PERMISSION OF FORMEX MANUFACTURING IS PROHIBITED.

UNLESS OTHERWISE SPECIFIED:		NAME	DATE
DIMENSIONS ARE IN INCHES	DRAWN	HKF	6/28/2024
TOLERANCES:	CHECKED		
FRACTIONAL ±1/32"	ENG APPR.		
ANGULAR: ±2°	MFG APPR.		
TWO PLACE DECIMAL ±0.03"	Q.A.		
THREE PLACE DECIMAL ±0.010"	COMMENTS:		
INTERPRET GEOMETRIC TOLERANCING PER:			
MATERIAL			
ABS			
FINISH			
GRAY / SMOOTH			
DO NOT SCALE DRAWING			

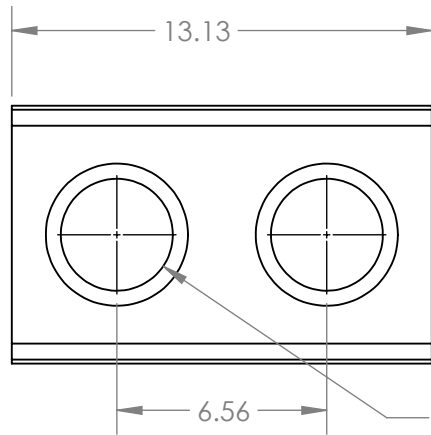
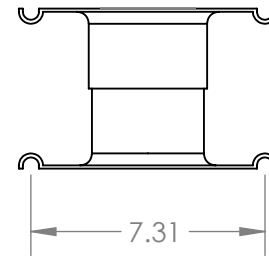
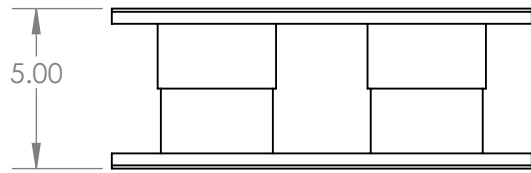
**Formex**<sup>®</sup>  
manufacturing, inc.

TITLE:  
**TERMINATOR**

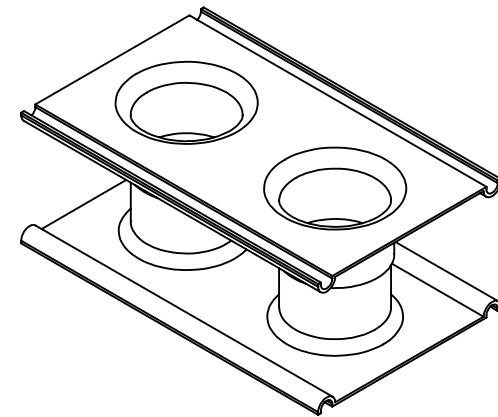
SIZE <b>A</b>	DWG. NO. FX-3753-A	REV <b>A</b>
------------------	-----------------------	-----------------

SCALE: 1:6 SHEET 77 OF 314

# T3A2-3030-5SW



Ø3.50" HOLE FOR  
3" IPS CONDUIT



**PROPRIETARY AND CONFIDENTIAL**  
THE INFORMATION CONTAINED IN THIS DRAWING IS THE SOLE PROPERTY OF FORMEX MANUFACTURING. ANY REPRODUCTION IN PART OR AS A WHOLE WITHOUT THE WRITTEN PERMISSION OF FORMEX MANUFACTURING IS PROHIBITED.

UNLESS OTHERWISE SPECIFIED:		NAME	DATE
DIMENSIONS ARE IN INCHES TOLERANCES: FRACTIONAL $\pm 1/32"$ ANGULAR: $\pm 2^\circ$ TWO PLACE DECIMAL $\pm 0.03"$ THREE PLACE DECIMAL $\pm 0.010"$	DRAWN	HKF	6/28/2024
	CHECKED		
	ENG APPR.		
	MFG APPR.		
INTERPRET GEOMETRIC TOLERANCING PER:	Q.A.		
MATERIAL ABS	COMMENTS:		
FINISH GRAY / SMOOTH			
DO NOT SCALE DRAWING			

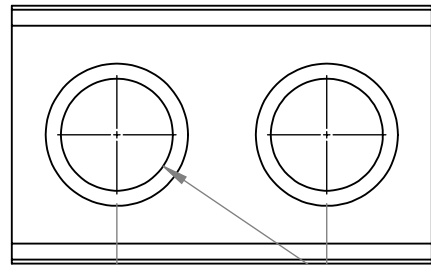
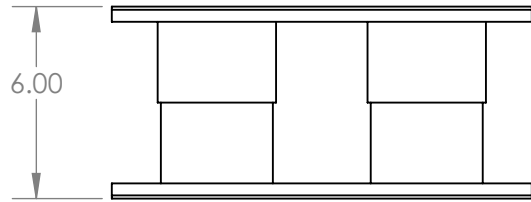
**Formex**<sup>®</sup>  
manufacturing, inc.

TITLE:  
**TERMINATOR**

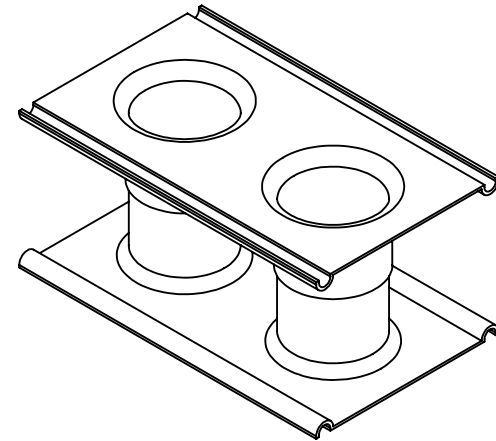
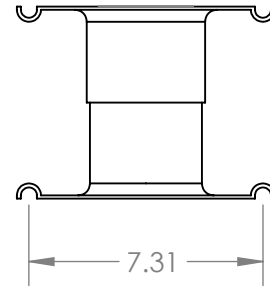
SIZE <b>A</b>	DWG. NO. FX-3753-A	REV <b>A</b>
------------------	-----------------------	-----------------

SCALE: 1:6 SHEET 78 OF 314

# T3A2-3030-6SW



Ø3.50" HOLE FOR  
3" IPS CONDUIT



**PROPRIETARY AND CONFIDENTIAL**  
THE INFORMATION CONTAINED IN THIS DRAWING IS THE SOLE PROPERTY OF FORMEX MANUFACTURING. ANY REPRODUCTION IN PART OR AS A WHOLE WITHOUT THE WRITTEN PERMISSION OF FORMEX MANUFACTURING IS PROHIBITED.

UNLESS OTHERWISE SPECIFIED:		NAME	DATE
DIMENSIONS ARE IN INCHES TOLERANCES: FRACTIONAL $\pm 1/32"$ ANGULAR: $\pm 2^\circ$ TWO PLACE DECIMAL $\pm 0.03"$ THREE PLACE DECIMAL $\pm 0.010"$	DRAWN	HKF	6/28/2024
	CHECKED		
	ENG APPR.		
	MFG APPR.		
INTERPRET GEOMETRIC TOLERANCING PER:	Q.A.		
MATERIAL ABS	COMMENTS:		
FINISH GRAY / SMOOTH			
DO NOT SCALE DRAWING			

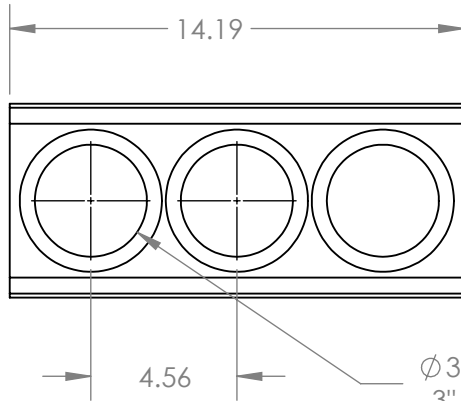
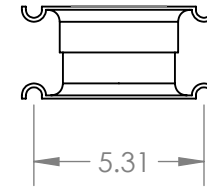
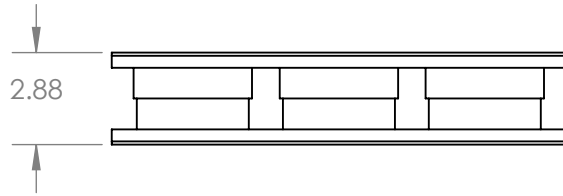
**Formex**<sup>®</sup>  
manufacturing, inc.

TITLE:  
**TERMINATOR**

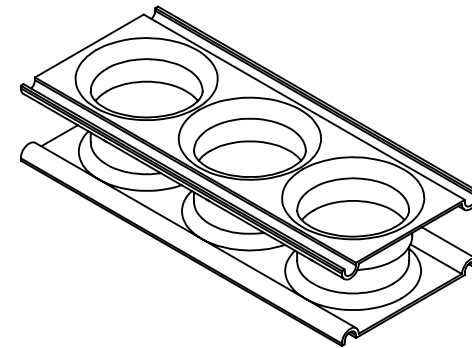
SIZE <b>A</b>	DWG. NO. FX-3753-A	REV <b>A</b>
------------------	-----------------------	-----------------

SCALE: 1:6 SHEET 79 OF 314

# T3A3-1010-2 7/8SW



Ø 3.50" HOLE FOR  
3" IPS CONDUIT



**PROPRIETARY AND CONFIDENTIAL**  
THE INFORMATION CONTAINED IN THIS DRAWING IS THE SOLE PROPERTY OF FORMEX MANUFACTURING. ANY REPRODUCTION IN PART OR AS A WHOLE WITHOUT THE WRITTEN PERMISSION OF FORMEX MANUFACTURING IS PROHIBITED.

UNLESS OTHERWISE SPECIFIED:	NAME	DATE
DIMENSIONS ARE IN INCHES	DRAWN	HKF 6/28/2024
TOLERANCES:	CHECKED	
FRACTIONAL ±1/32"	ENG APPR.	
ANGULAR: ±2°	MFG APPR.	
TWO PLACE DECIMAL ±0.03"	Q.A.	
THREE PLACE DECIMAL ±0.010"	COMMENTS:	
INTERPRET GEOMETRIC TOLERANCING PER:		
MATERIAL		
ABS		
FINISH		
GRAY / SMOOTH		
DO NOT SCALE DRAWING		

**Formex**<sup>®</sup>  
manufacturing, inc.

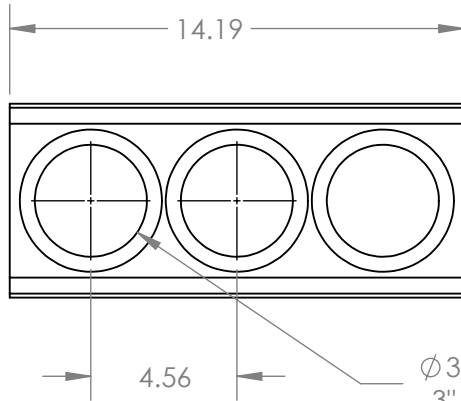
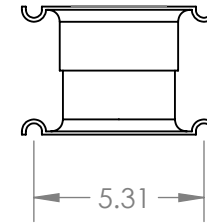
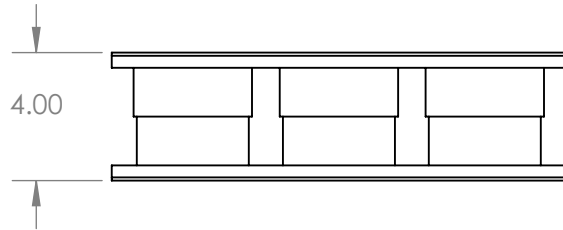
TITLE:  
**TERMINATOR**

SIZE	DWG. NO.	REV
<b>A</b>	FX-3753-A	<b>A</b>

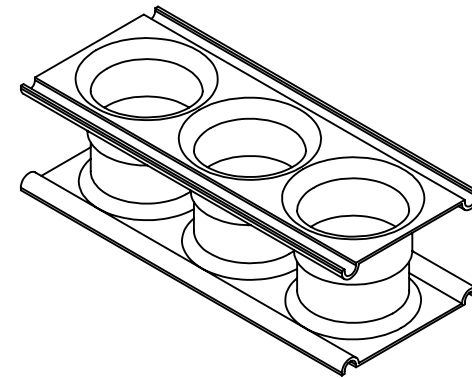
SCALE: 1:6 SHEET 80 OF 314



# T3A3-1010-4SW



Ø 3.50" HOLE FOR  
3" IPS CONDUIT



**PROPRIETARY AND CONFIDENTIAL**  
THE INFORMATION CONTAINED IN THIS DRAWING IS THE SOLE PROPERTY OF FORMEX MANUFACTURING. ANY REPRODUCTION IN PART OR AS A WHOLE WITHOUT THE WRITTEN PERMISSION OF FORMEX MANUFACTURING IS PROHIBITED.

UNLESS OTHERWISE SPECIFIED:		NAME	DATE
DIMENSIONS ARE IN INCHES	DRAWN	HKF	6/28/2024
TOLERANCES:	CHECKED		
FRACTIONAL ±1/32"	ENG APPR.		
ANGULAR: ±2°	MFG APPR.		
TWO PLACE DECIMAL ±0.03"	Q.A.		
THREE PLACE DECIMAL ±0.010"	COMMENTS:		
INTERPRET GEOMETRIC TOLERANCING PER:			
MATERIAL			
ABS			
FINISH			
GRAY / SMOOTH			
DO NOT SCALE DRAWING			

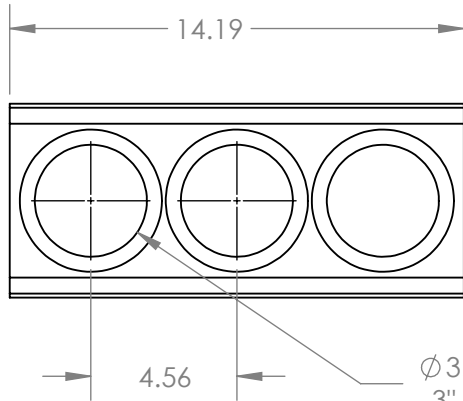
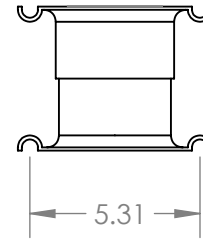
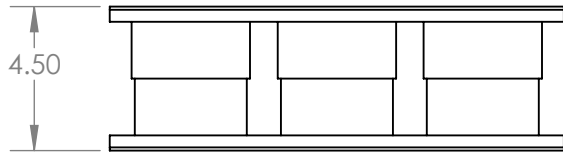
**Formex**<sup>®</sup>  
manufacturing, inc.

TITLE:  
**TERMINATOR**

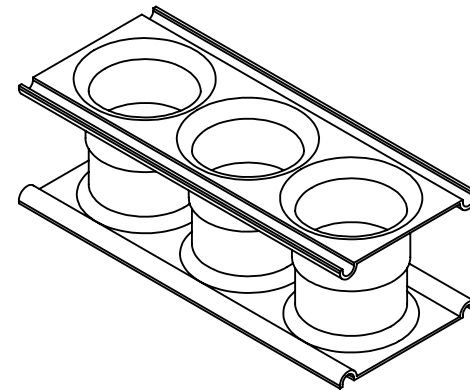
SIZE <b>A</b>	DWG. NO. FX-3753-A	REV <b>A</b>
------------------	-----------------------	-----------------

SCALE: 1:6 SHEET 81 OF 314

# T3A3-1010-4 1/2SW



Ø 3.50" HOLE FOR  
3" IPS CONDUIT



**PROPRIETARY AND CONFIDENTIAL**  
THE INFORMATION CONTAINED IN THIS DRAWING IS THE SOLE PROPERTY OF FORMEX MANUFACTURING. ANY REPRODUCTION IN PART OR AS A WHOLE WITHOUT THE WRITTEN PERMISSION OF FORMEX MANUFACTURING IS PROHIBITED.

UNLESS OTHERWISE SPECIFIED:	NAME	DATE
DIMENSIONS ARE IN INCHES	DRAWN	HKF 6/28/2024
TOLERANCES:	CHECKED	
FRACTIONAL ±1/32"	ENG APPR.	
ANGULAR: ±2°	MFG APPR.	
TWO PLACE DECIMAL ±0.03"	Q.A.	
THREE PLACE DECIMAL ±0.010"	COMMENTS:	
INTERPRET GEOMETRIC TOLERANCING PER:		
MATERIAL		
ABS		
FINISH		
GRAY / SMOOTH		
DO NOT SCALE DRAWING		

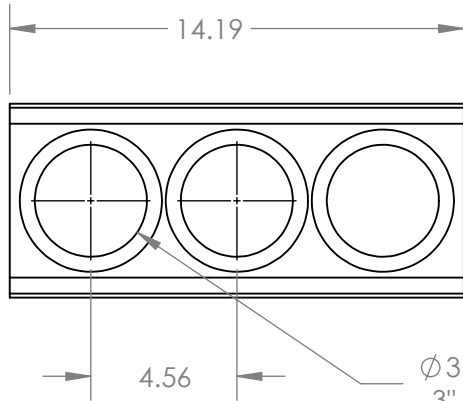
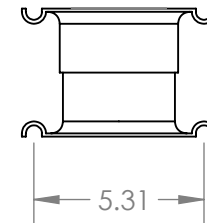
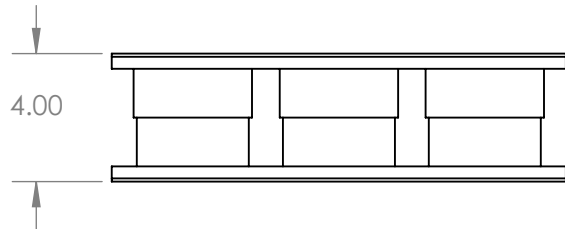
**Formex**<sup>®</sup>  
manufacturing, inc.

TITLE:  
**TERMINATOR**

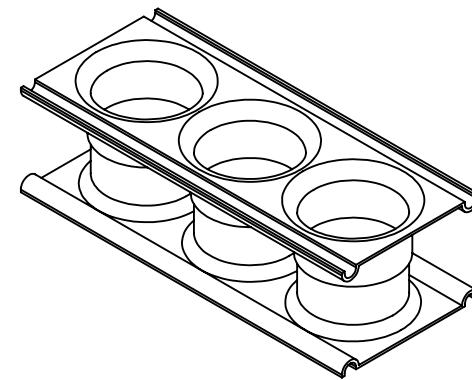
SIZE <b>A</b>	DWG. NO. FX-3753-A	REV <b>A</b>
------------------	-----------------------	-----------------

SCALE: 1:6 SHEET 82 OF 314

# T3A3-1010-5SW



Ø 3.50" HOLE FOR  
3" IPS CONDUIT



**PROPRIETARY AND CONFIDENTIAL**  
THE INFORMATION CONTAINED IN THIS DRAWING IS THE SOLE PROPERTY OF FORMEX MANUFACTURING. ANY REPRODUCTION IN PART OR AS A WHOLE WITHOUT THE WRITTEN PERMISSION OF FORMEX MANUFACTURING IS PROHIBITED.

UNLESS OTHERWISE SPECIFIED:		NAME	DATE
DIMENSIONS ARE IN INCHES	DRAWN	HKF	6/28/2024
TOLERANCES:	CHECKED		
FRACTIONAL ±1/32"	ENG APPR.		
ANGULAR: ±2°	MFG APPR.		
TWO PLACE DECIMAL ±0.03"	Q.A.		
THREE PLACE DECIMAL ±0.010"	COMMENTS:		
INTERPRET GEOMETRIC TOLERANCING PER:			
MATERIAL			
ABS			
FINISH			
GRAY / SMOOTH			
DO NOT SCALE DRAWING			

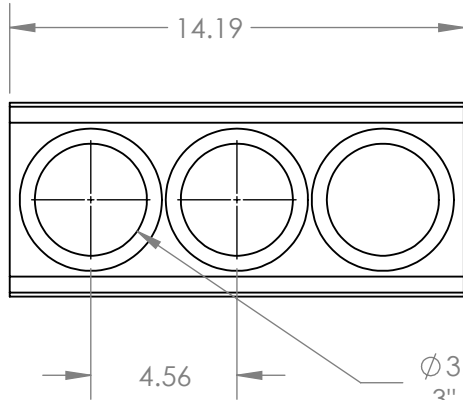
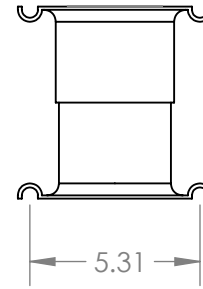
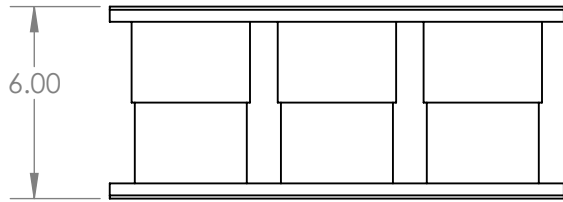
**Formex**<sup>®</sup>  
manufacturing, inc.

TITLE:  
**TERMINATOR**

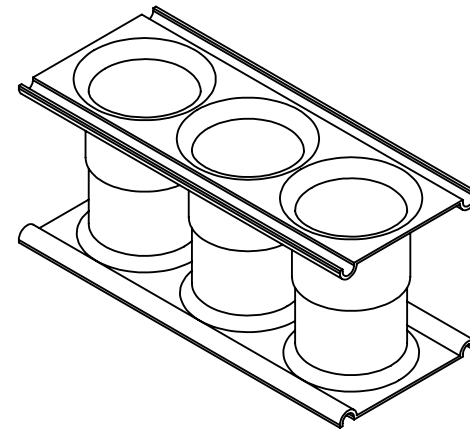
SIZE <b>A</b>	DWG. NO. FX-3753-A	REV <b>A</b>
------------------	-----------------------	-----------------

SCALE: 1:6 SHEET 83 OF 314

# T3A3-1010-6SW



Ø 3.50" HOLE FOR  
3" IPS CONDUIT



**PROPRIETARY AND CONFIDENTIAL**  
THE INFORMATION CONTAINED IN THIS DRAWING IS THE SOLE PROPERTY OF FORMEX MANUFACTURING. ANY REPRODUCTION IN PART OR AS A WHOLE WITHOUT THE WRITTEN PERMISSION OF FORMEX MANUFACTURING IS PROHIBITED.

UNLESS OTHERWISE SPECIFIED:		NAME	DATE
DIMENSIONS ARE IN INCHES TOLERANCES: FRACTIONAL ±1/32" ANGULAR: ±2° TWO PLACE DECIMAL ±0.03" THREE PLACE DECIMAL ±0.010"	DRAWN	HKF	6/28/2024
	CHECKED		
	ENG APPR.		
	MFG APPR.		
INTERPRET GEOMETRIC TOLERANCING PER:	Q.A.		
MATERIAL ABS	COMMENTS:		
FINISH GRAY / SMOOTH			
DO NOT SCALE DRAWING			

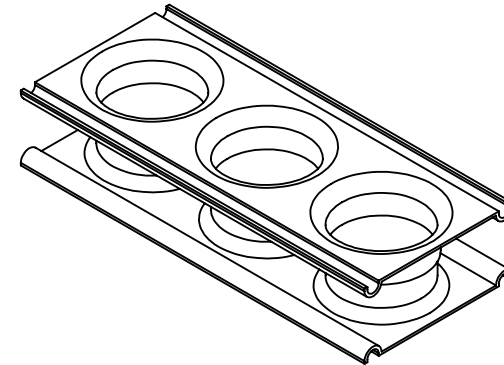
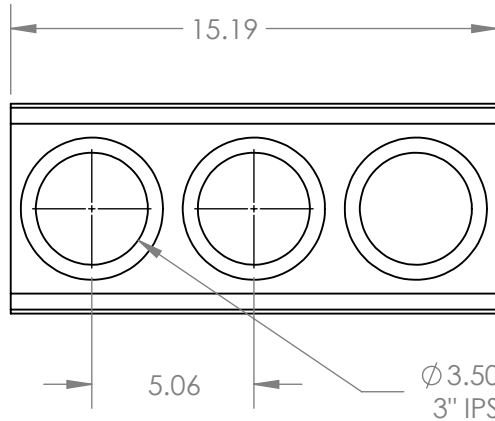
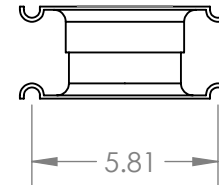
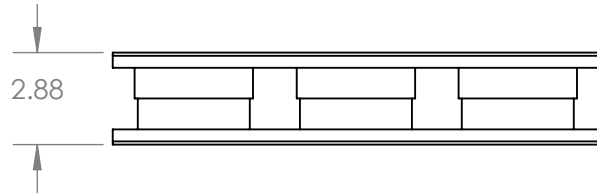
**Formex**<sup>®</sup>  
manufacturing, inc.

TITLE:  
**TERMINATOR**

SIZE <b>A</b>	DWG. NO. FX-3753-A	REV <b>A</b>
------------------	-----------------------	-----------------

SCALE: 1:6 SHEET 84 OF 314

# T3A3-1515-SW



**PROPRIETARY AND CONFIDENTIAL**  
THE INFORMATION CONTAINED IN THIS DRAWING IS THE SOLE PROPERTY OF FORMEX MANUFACTURING. ANY REPRODUCTION IN PART OR AS A WHOLE WITHOUT THE WRITTEN PERMISSION OF FORMEX MANUFACTURING IS PROHIBITED.

UNLESS OTHERWISE SPECIFIED:		NAME	DATE
DIMENSIONS ARE IN INCHES	DRAWN	HKF	6/28/2024
TOLERANCES:	CHECKED		
FRACTIONAL ±1/32"	ENG APPR.		
ANGULAR: ±2°	MFG APPR.		
TWO PLACE DECIMAL ±0.03"	Q.A.		
THREE PLACE DECIMAL ±0.010"	COMMENTS:		
INTERPRET GEOMETRIC TOLERANCING PER:			
MATERIAL			
ABS			
FINISH			
GRAY / SMOOTH			
DO NOT SCALE DRAWING			

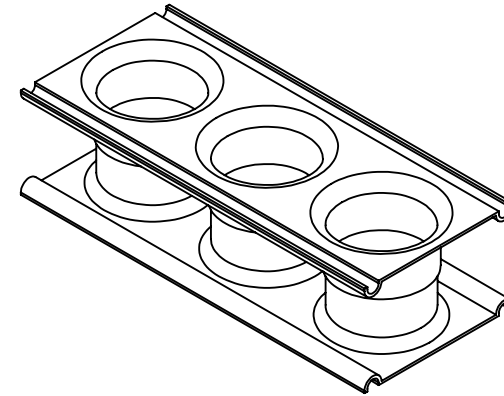
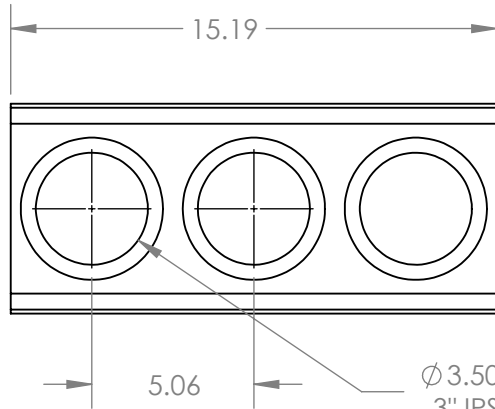
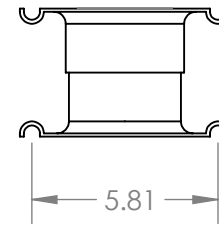
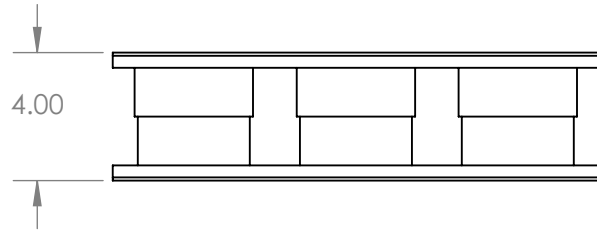
**Formex**<sup>®</sup>  
manufacturing, inc.

TITLE:  
**TERMINATOR**

SIZE <b>A</b>	DWG. NO. FX-3753-A	REV <b>A</b>
------------------	-----------------------	-----------------

SCALE: 1:6 SHEET 85 OF 314

# T3A3-1515-4SW



Ø 3.50" HOLE FOR  
3" IPS CONDUIT

**PROPRIETARY AND CONFIDENTIAL**  
THE INFORMATION CONTAINED IN THIS DRAWING IS THE SOLE PROPERTY OF FORMEX MANUFACTURING. ANY REPRODUCTION IN PART OR AS A WHOLE WITHOUT THE WRITTEN PERMISSION OF FORMEX MANUFACTURING IS PROHIBITED.

UNLESS OTHERWISE SPECIFIED:		NAME	DATE
DIMENSIONS ARE IN INCHES	DRAWN	HKF	6/28/2024
TOLERANCES:	CHECKED		
FRACTIONAL ±1/32"	ENG APPR.		
ANGULAR: ±2°	MFG APPR.		
TWO PLACE DECIMAL ±0.03"	Q.A.		
THREE PLACE DECIMAL ±0.010"	COMMENTS:		
INTERPRET GEOMETRIC TOLERANCING PER:			
MATERIAL			
ABS			
FINISH			
GRAY / SMOOTH			
DO NOT SCALE DRAWING			

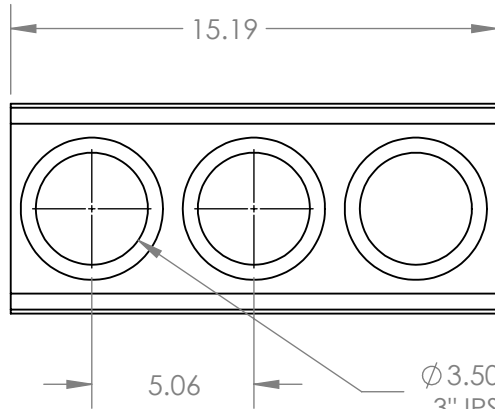
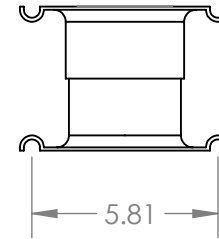
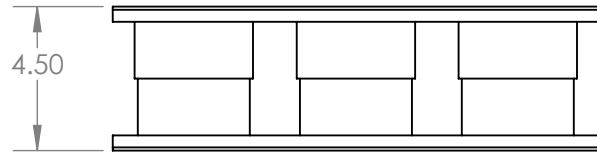
**Formex**<sup>®</sup>  
manufacturing, inc.

TITLE:  
**TERMINATOR**

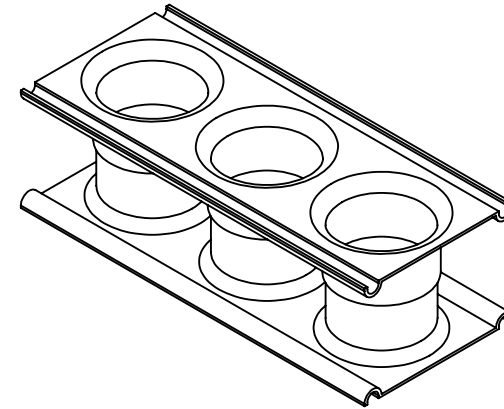
SIZE <b>A</b>	DWG. NO. FX-3753-A	REV <b>A</b>
------------------	-----------------------	-----------------

SCALE: 1:6 SHEET 86 OF 314

# T3A3-1515-4 1/2SW



Ø 3.50" HOLE FOR  
3" IPS CONDUIT



**PROPRIETARY AND CONFIDENTIAL**  
THE INFORMATION CONTAINED IN THIS DRAWING IS THE SOLE PROPERTY OF FORMEX MANUFACTURING. ANY REPRODUCTION IN PART OR AS A WHOLE WITHOUT THE WRITTEN PERMISSION OF FORMEX MANUFACTURING IS PROHIBITED.

UNLESS OTHERWISE SPECIFIED:		NAME	DATE
DIMENSIONS ARE IN INCHES	DRAWN	HKF	6/28/2024
TOLERANCES:	CHECKED		
FRACTIONAL ±1/32"	ENG APPR.		
ANGULAR: ±2°	MFG APPR.		
TWO PLACE DECIMAL ±0.03"	Q.A.		
THREE PLACE DECIMAL ±0.010"	COMMENTS:		
INTERPRET GEOMETRIC TOLERANCING PER:			
MATERIAL			
ABS			
FINISH			
GRAY / SMOOTH			
DO NOT SCALE DRAWING			

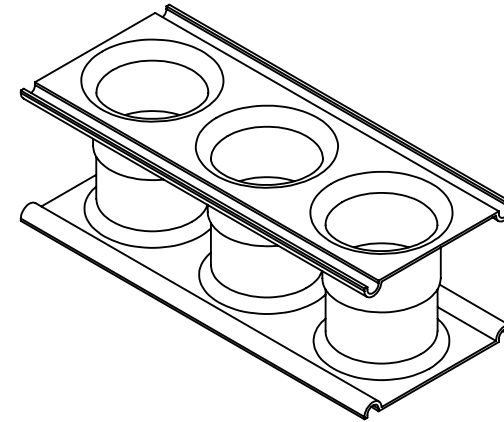
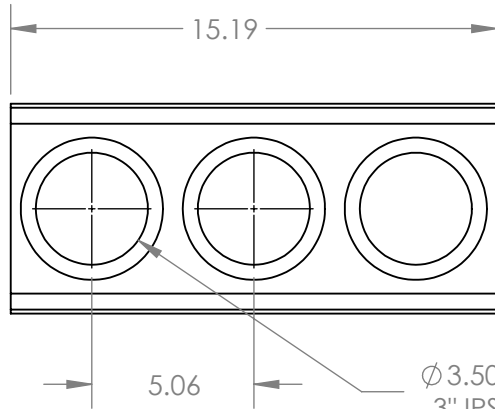
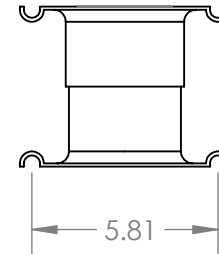
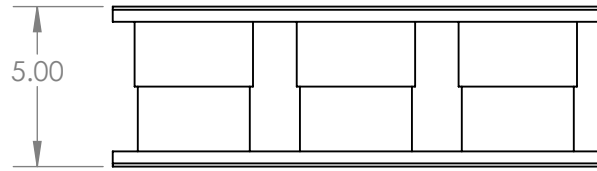
**Formex**<sup>®</sup>  
manufacturing, inc.

TITLE:  
**TERMINATOR**

SIZE <b>A</b>	DWG. NO. FX-3753-A	REV <b>A</b>
------------------	-----------------------	-----------------

SCALE: 1:6 SHEET 87 OF 314

# T3A3-1515-5SW



Ø 3.50" HOLE FOR  
3" IPS CONDUIT

**PROPRIETARY AND CONFIDENTIAL**  
THE INFORMATION CONTAINED IN THIS DRAWING IS THE SOLE PROPERTY OF FORMEX MANUFACTURING. ANY REPRODUCTION IN PART OR AS A WHOLE WITHOUT THE WRITTEN PERMISSION OF FORMEX MANUFACTURING IS PROHIBITED.

UNLESS OTHERWISE SPECIFIED:	NAME	DATE
DIMENSIONS ARE IN INCHES	DRAWN	HKF 6/28/2024
TOLERANCES:	CHECKED	
FRACTIONAL ±1/32"	ENG APPR.	
ANGULAR: ±2°	MFG APPR.	
TWO PLACE DECIMAL ±0.03"	Q.A.	
THREE PLACE DECIMAL ±0.010"	COMMENTS:	
INTERPRET GEOMETRIC TOLERANCING PER:		
MATERIAL		
ABS		
FINISH		
GRAY / SMOOTH		
DO NOT SCALE DRAWING		

**Formex**<sup>®</sup>  
manufacturing, inc.

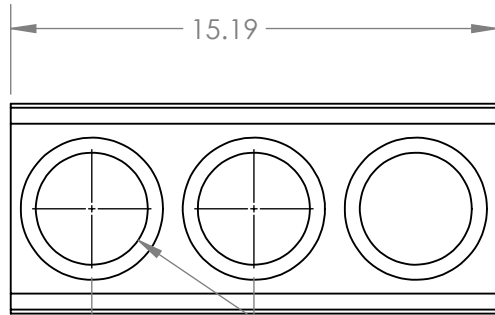
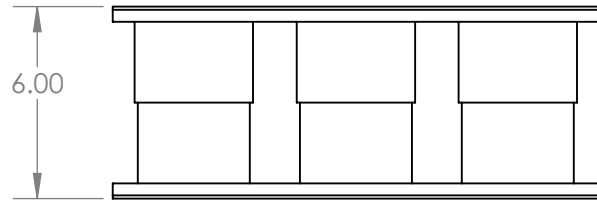
TITLE:  
**TERMINATOR**

SIZE <b>A</b>	DWG. NO. FX-3753-A	REV <b>A</b>
------------------	-----------------------	-----------------

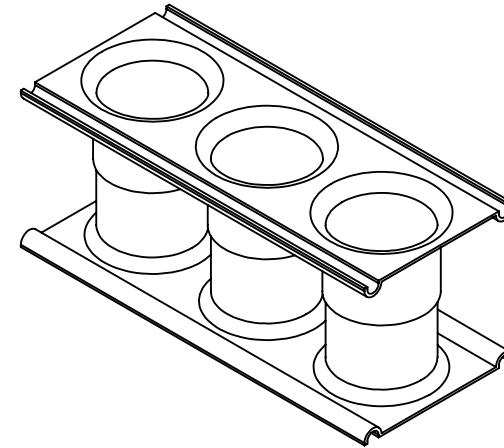
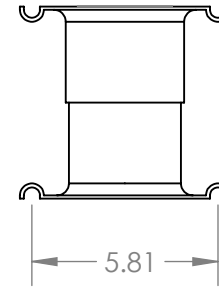
SCALE: 1:6 SHEET 88 OF 314



# T3A3-1515-6SW



5.06 → → →  $\varnothing$  3.50" HOLE FOR 3" IPS CONDUIT



**PROPRIETARY AND CONFIDENTIAL**  
 THE INFORMATION CONTAINED IN THIS DRAWING IS THE SOLE PROPERTY OF FORMEX MANUFACTURING. ANY REPRODUCTION IN PART OR AS A WHOLE WITHOUT THE WRITTEN PERMISSION OF FORMEX MANUFACTURING IS PROHIBITED.

UNLESS OTHERWISE SPECIFIED:		NAME	DATE
DIMENSIONS ARE IN INCHES	DRAWN	HKF	6/28/2024
TOLERANCES:	CHECKED		
FRACTIONAL $\pm 1/32"$	ENG APPR.		
ANGULAR: $\pm 2^\circ$	MFG APPR.		
TWO PLACE DECIMAL $\pm 0.03"$	Q.A.		
THREE PLACE DECIMAL $\pm 0.010"$	COMMENTS:		
INTERPRET GEOMETRIC TOLERANCING PER:			
MATERIAL			
ABS			
FINISH			
GRAY / SMOOTH			
DO NOT SCALE DRAWING			

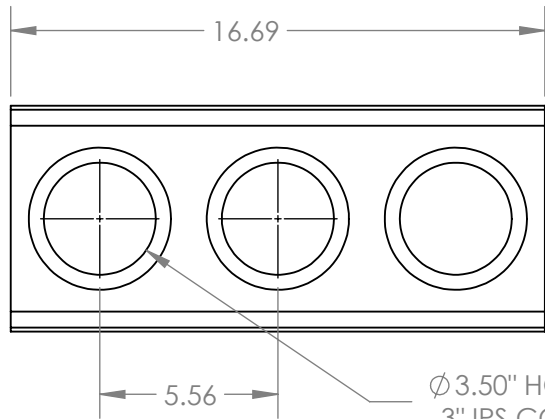
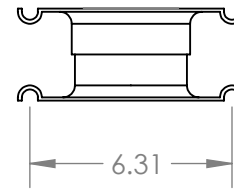
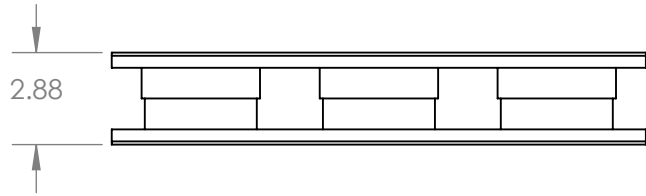
**Formex**<sup>®</sup>  
 manufacturing, inc.

TITLE:  
**TERMINATOR**

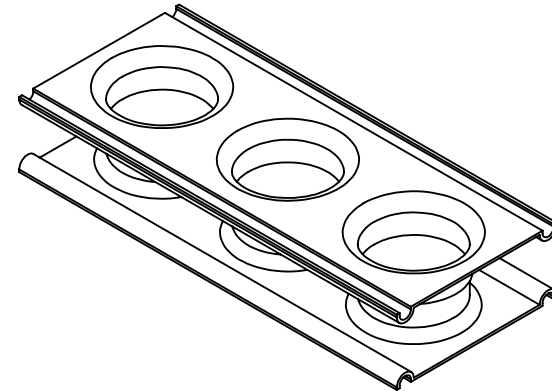
SIZE	DWG. NO.	REV
<b>A</b>	FX-3753-A	<b>A</b>

SCALE: 1:6 SHEET 89 OF 314

# T3A3-2020-2 7/8SW



Ø 3.50" HOLE FOR  
3" IPS CONDUIT



**PROPRIETARY AND CONFIDENTIAL**  
THE INFORMATION CONTAINED IN THIS DRAWING IS THE SOLE PROPERTY OF FORMEX MANUFACTURING. ANY REPRODUCTION IN PART OR AS A WHOLE WITHOUT THE WRITTEN PERMISSION OF FORMEX MANUFACTURING IS PROHIBITED.

UNLESS OTHERWISE SPECIFIED:		NAME	DATE
DIMENSIONS ARE IN INCHES TOLERANCES: FRACTIONAL $\pm 1/32"$ ANGULAR: $\pm 2^\circ$ TWO PLACE DECIMAL $\pm 0.03"$ THREE PLACE DECIMAL $\pm 0.010"$	DRAWN	HKF	6/28/2024
	CHECKED		
	ENG APPR.		
	MFG APPR.		
INTERPRET GEOMETRIC TOLERANCING PER:	Q.A.		
MATERIAL ABS	COMMENTS:		
FINISH GRAY / SMOOTH			
DO NOT SCALE DRAWING			

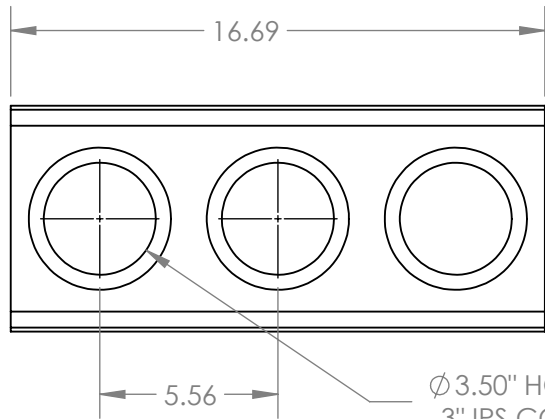
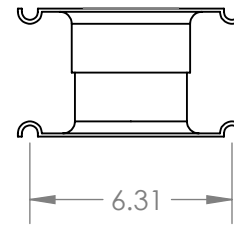
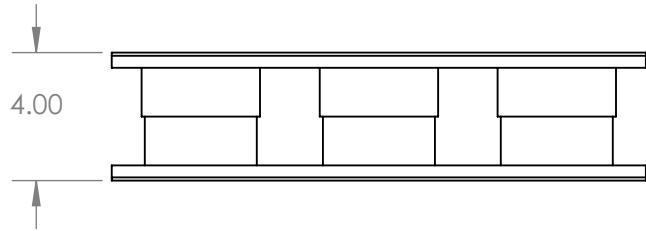
**Formex**<sup>®</sup>  
manufacturing, inc.

TITLE:  
**TERMINATOR**

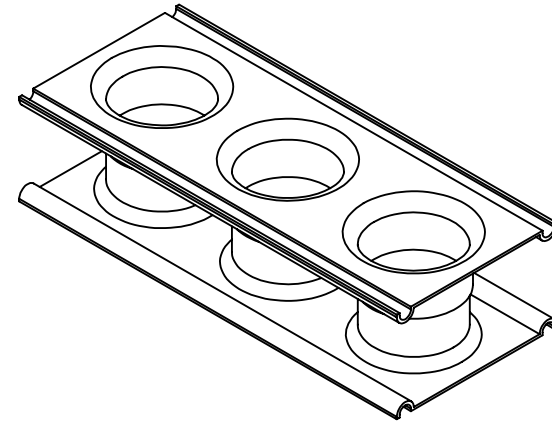
SIZE <b>A</b>	DWG. NO. FX-3753-A	REV <b>A</b>
------------------	-----------------------	-----------------

SCALE: 1:6 SHEET 90 OF 314

# T3A3-2020-4SW



Ø 3.50" HOLE FOR  
3" IPS CONDUIT



**PROPRIETARY AND CONFIDENTIAL**  
THE INFORMATION CONTAINED IN THIS DRAWING IS THE SOLE PROPERTY OF FORMEX MANUFACTURING. ANY REPRODUCTION IN PART OR AS A WHOLE WITHOUT THE WRITTEN PERMISSION OF FORMEX MANUFACTURING IS PROHIBITED.

UNLESS OTHERWISE SPECIFIED:		NAME	DATE
DIMENSIONS ARE IN INCHES TOLERANCES: FRACTIONAL $\pm 1/32"$ ANGULAR: $\pm 2^\circ$ TWO PLACE DECIMAL $\pm 0.03"$ THREE PLACE DECIMAL $\pm 0.010"$	DRAWN	HKF	6/28/2024
	CHECKED		
	ENG APPR.		
	MFG APPR.		
INTERPRET GEOMETRIC TOLERANCING PER:	Q.A.		
MATERIAL ABS	COMMENTS:		
FINISH GRAY / SMOOTH			
DO NOT SCALE DRAWING			

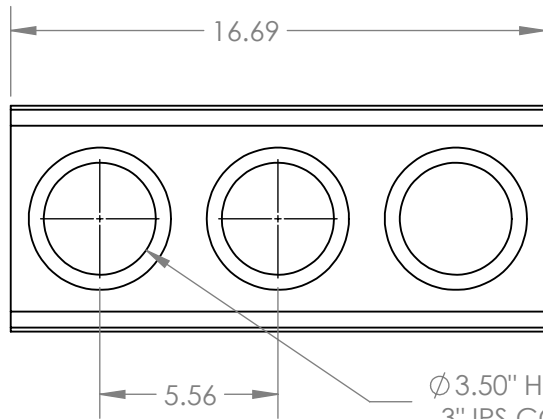
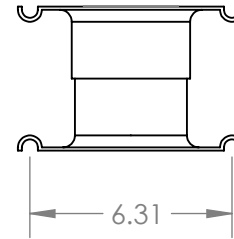
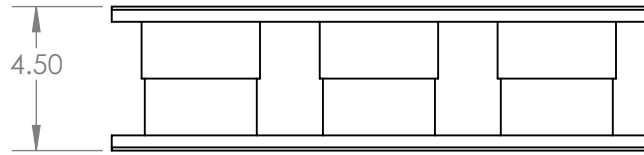
**Formex**<sup>®</sup>  
manufacturing, inc.

TITLE:  
**TERMINATOR**

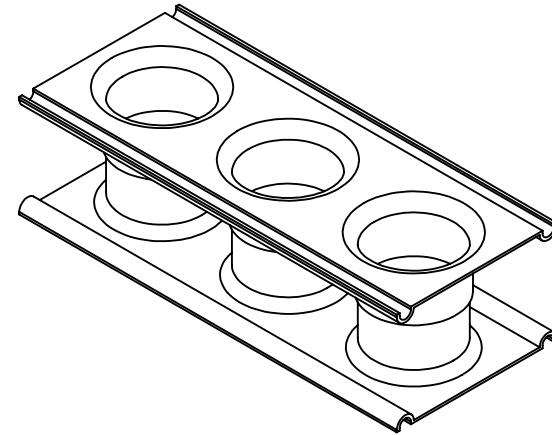
SIZE <b>A</b>	DWG. NO. FX-3753-A	REV <b>A</b>
------------------	-----------------------	-----------------

SCALE: 1:6 SHEET 91 OF 314

# T3A3-2020-4 1/2SW



Ø 3.50" HOLE FOR  
3" IPS CONDUIT



**PROPRIETARY AND CONFIDENTIAL**  
THE INFORMATION CONTAINED IN THIS DRAWING IS THE SOLE PROPERTY OF FORMEX MANUFACTURING. ANY REPRODUCTION IN PART OR AS A WHOLE WITHOUT THE WRITTEN PERMISSION OF FORMEX MANUFACTURING IS PROHIBITED.

UNLESS OTHERWISE SPECIFIED:		NAME	DATE
DIMENSIONS ARE IN INCHES	DRAWN	HKF	6/28/2024
TOLERANCES:	CHECKED		
FRACTIONAL ±1/32"	ENG APPR.		
ANGULAR: ±2°	MFG APPR.		
TWO PLACE DECIMAL ±0.03"	Q.A.		
THREE PLACE DECIMAL ±0.010"	COMMENTS:		
INTERPRET GEOMETRIC TOLERANCING PER:			
MATERIAL			
ABS			
FINISH			
GRAY / SMOOTH			
DO NOT SCALE DRAWING			

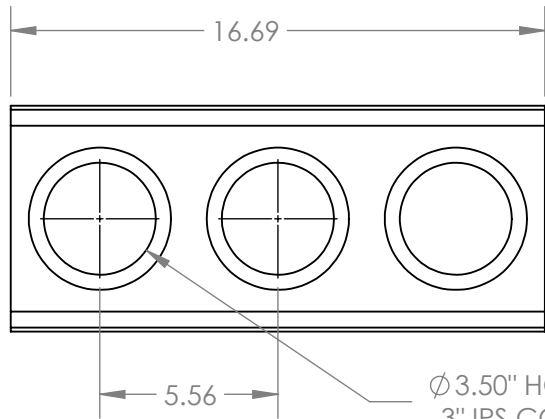
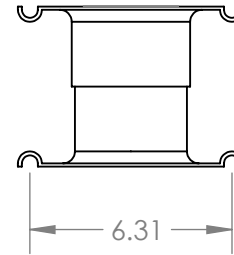
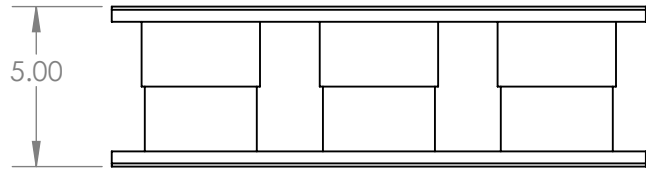
**Formex**<sup>®</sup>  
manufacturing, inc.

TITLE:  
**TERMINATOR**

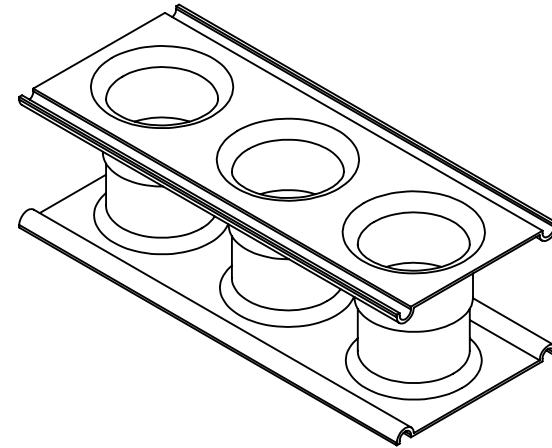
SIZE <b>A</b>	DWG. NO. FX-3753-A	REV <b>A</b>
------------------	-----------------------	-----------------

SCALE: 1:6 SHEET 92 OF 314

# T3A3-2020-5SW



Ø 3.50" HOLE FOR  
3" IPS CONDUIT



**PROPRIETARY AND CONFIDENTIAL**  
THE INFORMATION CONTAINED IN THIS DRAWING IS THE SOLE PROPERTY OF FORMEX MANUFACTURING. ANY REPRODUCTION IN PART OR AS A WHOLE WITHOUT THE WRITTEN PERMISSION OF FORMEX MANUFACTURING IS PROHIBITED.

UNLESS OTHERWISE SPECIFIED:		NAME	DATE
DIMENSIONS ARE IN INCHES TOLERANCES: FRACTIONAL $\pm 1/32"$ ANGULAR: $\pm 2^\circ$ TWO PLACE DECIMAL $\pm 0.03"$ THREE PLACE DECIMAL $\pm 0.010"$	DRAWN	HKF	6/28/2024
	CHECKED		
	ENG APPR.		
	MFG APPR.		
INTERPRET GEOMETRIC TOLERANCING PER:	Q.A.		
MATERIAL ABS	COMMENTS:		
FINISH GRAY / SMOOTH			
DO NOT SCALE DRAWING			

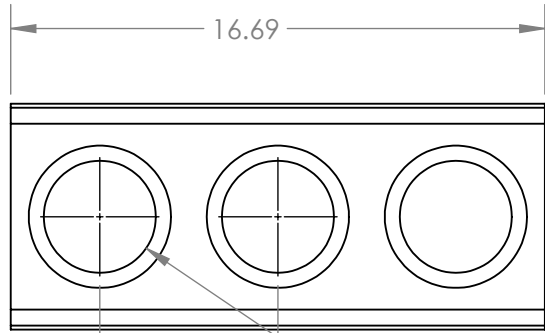
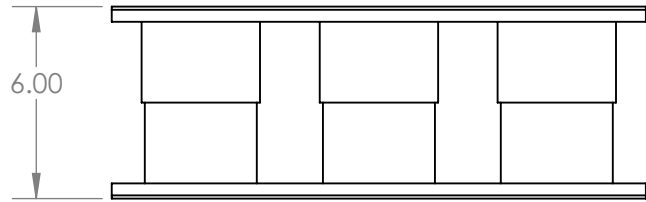
**Formex**<sup>®</sup>  
manufacturing, inc.

TITLE:  
**TERMINATOR**

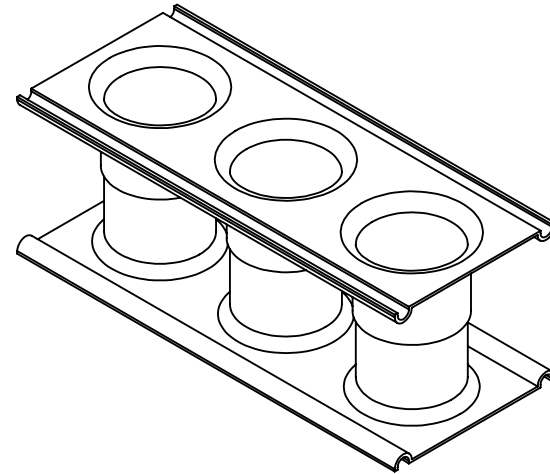
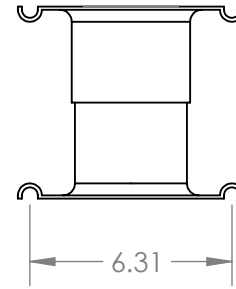
SIZE <b>A</b>	DWG. NO. FX-3753-A	REV <b>A</b>
------------------	-----------------------	-----------------

SCALE: 1:6 SHEET 93 OF 314

# T3A3-2020-6SW



5.56 →  $\varnothing$  3.50" HOLE FOR 3" IPS CONDUIT



**PROPRIETARY AND CONFIDENTIAL**  
 THE INFORMATION CONTAINED IN THIS DRAWING IS THE SOLE PROPERTY OF FORMEX MANUFACTURING. ANY REPRODUCTION IN PART OR AS A WHOLE WITHOUT THE WRITTEN PERMISSION OF FORMEX MANUFACTURING IS PROHIBITED.

UNLESS OTHERWISE SPECIFIED:	NAME	DATE
DIMENSIONS ARE IN INCHES	DRAWN	HKF 6/28/2024
TOLERANCES:	CHECKED	
FRACTIONAL $\pm 1/32"$	ENG APPR.	
ANGULAR: $\pm 2^\circ$	MFG APPR.	
TWO PLACE DECIMAL $\pm 0.03"$	Q.A.	
THREE PLACE DECIMAL $\pm 0.010"$	COMMENTS:	
INTERPRET GEOMETRIC TOLERANCING PER:		
MATERIAL		
ABS		
FINISH		
GRAY / SMOOTH		
DO NOT SCALE DRAWING		

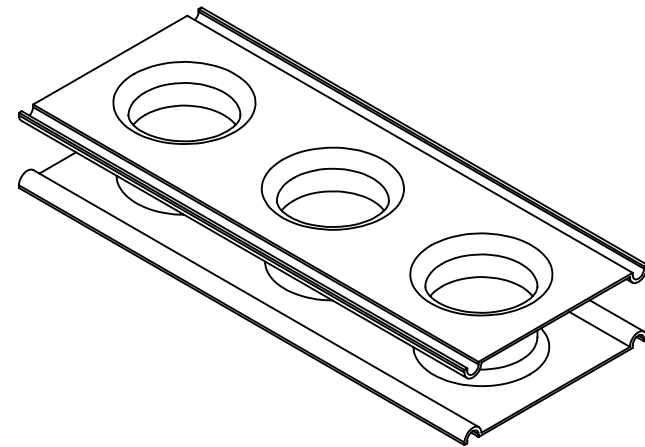
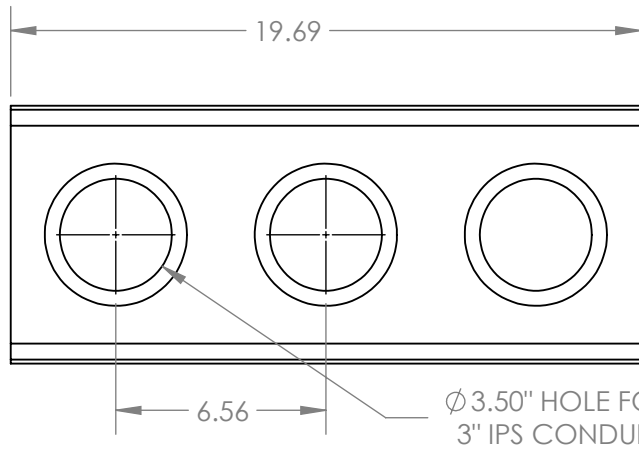
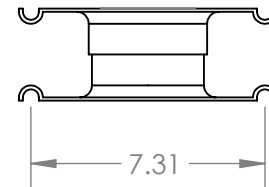
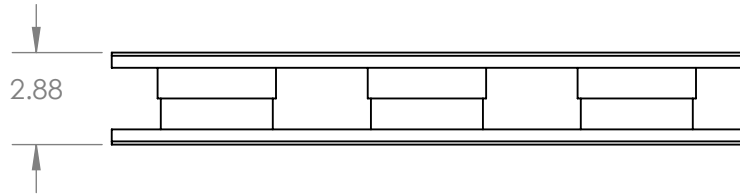
**Formex**<sup>®</sup>  
 manufacturing, inc.

TITLE:  
**TERMINATOR**

SIZE	DWG. NO.	REV
<b>A</b>	FX-3753-A	<b>A</b>

SCALE: 1:6 SHEET 94 OF 314

# T3A3-3030-2 7/8SW



**PROPRIETARY AND CONFIDENTIAL**  
THE INFORMATION CONTAINED IN THIS DRAWING IS THE SOLE PROPERTY OF FORMEX MANUFACTURING. ANY REPRODUCTION IN PART OR AS A WHOLE WITHOUT THE WRITTEN PERMISSION OF FORMEX MANUFACTURING IS PROHIBITED.

UNLESS OTHERWISE SPECIFIED:		NAME	DATE
DIMENSIONS ARE IN INCHES TOLERANCES: FRACTIONAL $\pm 1/32"$ ANGULAR: $\pm 2^\circ$ TWO PLACE DECIMAL $\pm 0.03"$ THREE PLACE DECIMAL $\pm 0.010"$	DRAWN	HKF	6/28/2024
	CHECKED		
	ENG APPR.		
	MFG APPR.		
INTERPRET GEOMETRIC TOLERANCING PER:	Q.A.		
MATERIAL ABS	COMMENTS:		
FINISH GRAY / SMOOTH			
DO NOT SCALE DRAWING			

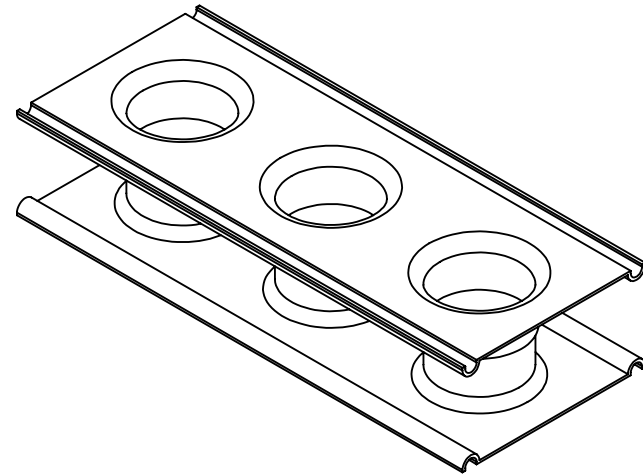
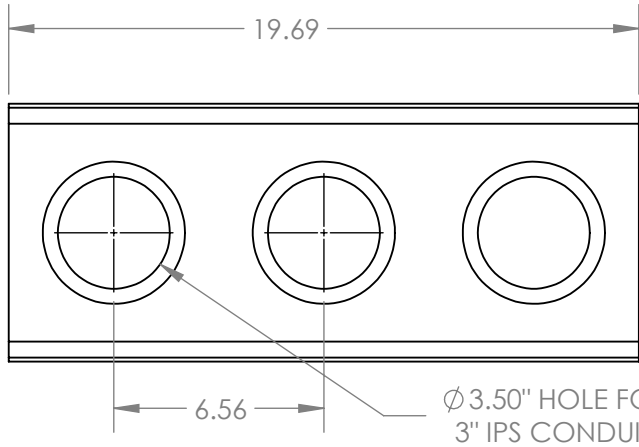
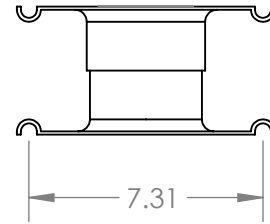
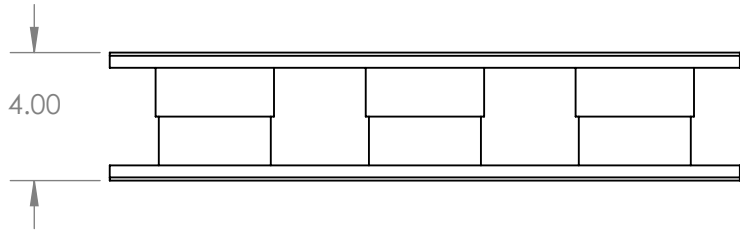
**Formex**<sup>®</sup>  
manufacturing, inc.

TITLE:  
**TERMINATOR**

SIZE <b>A</b>	DWG. NO. FX-3753-A	REV <b>A</b>
------------------	-----------------------	-----------------

SCALE: 1:6 SHEET 95 OF 314

# T3A3-3030-4SW



**PROPRIETARY AND CONFIDENTIAL**  
THE INFORMATION CONTAINED IN THIS DRAWING IS THE SOLE PROPERTY OF FORMEX MANUFACTURING. ANY REPRODUCTION IN PART OR AS A WHOLE WITHOUT THE WRITTEN PERMISSION OF FORMEX MANUFACTURING IS PROHIBITED.

UNLESS OTHERWISE SPECIFIED:		NAME	DATE
DIMENSIONS ARE IN INCHES TOLERANCES: FRACTIONAL ±1/32" ANGULAR: ±2° TWO PLACE DECIMAL ±0.03" THREE PLACE DECIMAL ±0.010"	DRAWN	HKF	6/28/2024
	CHECKED		
	ENG APPR.		
	MFG APPR.		
INTERPRET GEOMETRIC TOLERANCING PER:	Q.A.		
MATERIAL ABS	COMMENTS:		
FINISH GRAY / SMOOTH			
DO NOT SCALE DRAWING			

**Formex**<sup>®</sup>  
manufacturing, inc.

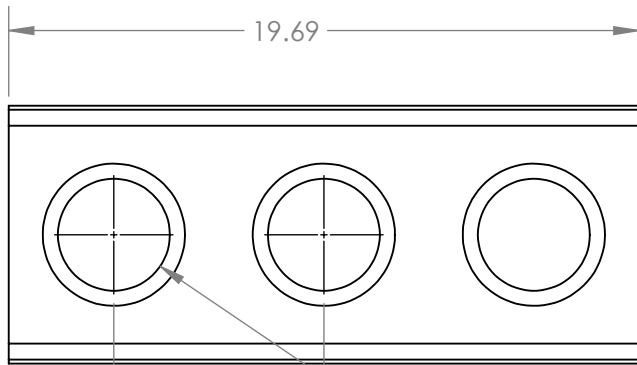
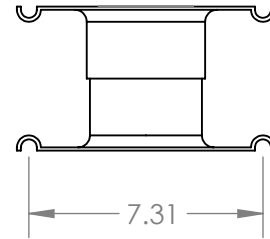
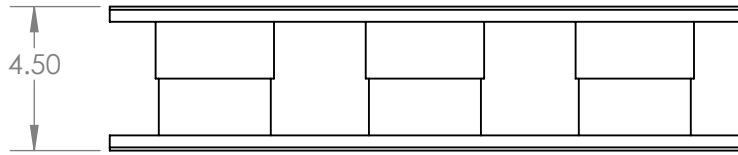
TITLE:  
**TERMINATOR**

SIZE <b>A</b>	DWG. NO. FX-3753-A	REV <b>A</b>
------------------	-----------------------	-----------------

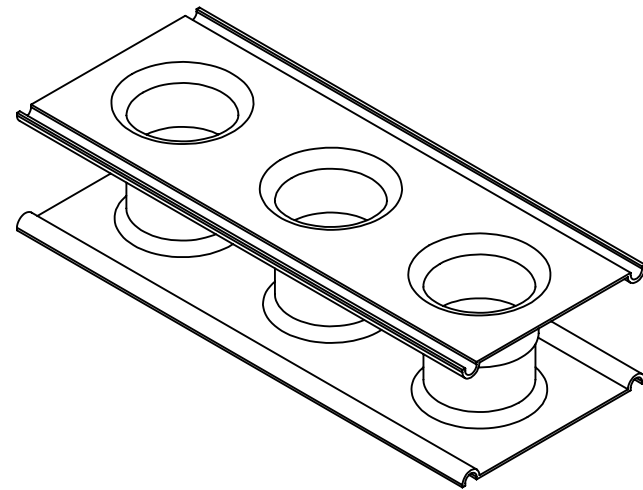
SCALE: 1:6 SHEET 96 OF 314



# T3A3-3030-4 1/2SW



6.56  $\varnothing$  3.50" HOLE FOR 3" IPS CONDUIT



**PROPRIETARY AND CONFIDENTIAL**  
 THE INFORMATION CONTAINED IN THIS DRAWING IS THE SOLE PROPERTY OF FORMEX MANUFACTURING. ANY REPRODUCTION IN PART OR AS A WHOLE WITHOUT THE WRITTEN PERMISSION OF FORMEX MANUFACTURING IS PROHIBITED.

UNLESS OTHERWISE SPECIFIED:	NAME	DATE
DIMENSIONS ARE IN INCHES	DRAWN	HKF 6/28/2024
TOLERANCES:	CHECKED	
FRACTIONAL $\pm 1/32"$	ENG APPR.	
ANGULAR: $\pm 2^\circ$	MFG APPR.	
TWO PLACE DECIMAL $\pm 0.03"$	Q.A.	
THREE PLACE DECIMAL $\pm 0.010"$	COMMENTS:	
INTERPRET GEOMETRIC TOLERANCING PER:		
MATERIAL		
ABS		
FINISH		
GRAY / SMOOTH		
DO NOT SCALE DRAWING		

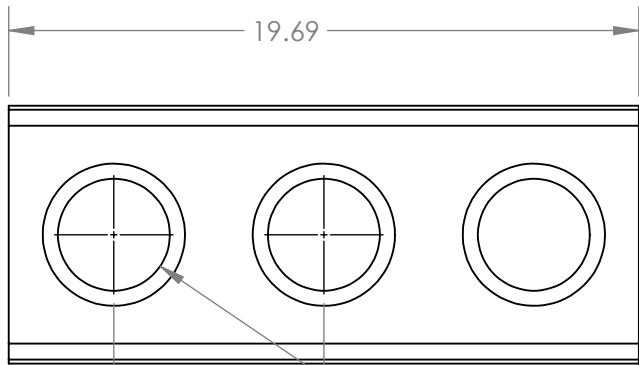
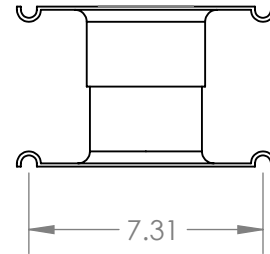
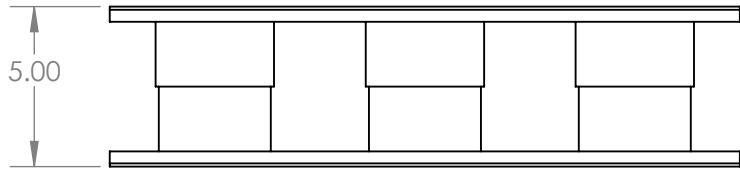
**Formex**<sup>®</sup>  
 manufacturing, inc.

TITLE:  
**TERMINATOR**

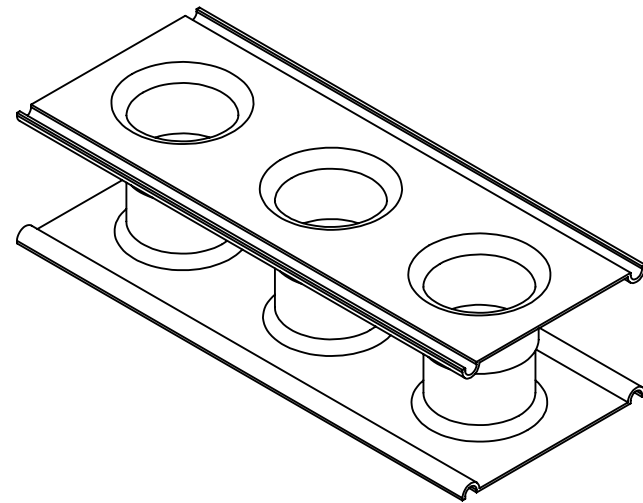
SIZE	DWG. NO.	REV
<b>A</b>	FX-3753-A	<b>A</b>

SCALE: 1:6 SHEET 97 OF 314

# T3A3-3030-5SW



6.56  $\varnothing$  3.50" HOLE FOR 3" IPS CONDUIT



**PROPRIETARY AND CONFIDENTIAL**  
 THE INFORMATION CONTAINED IN THIS DRAWING IS THE SOLE PROPERTY OF FORMEX MANUFACTURING. ANY REPRODUCTION IN PART OR AS A WHOLE WITHOUT THE WRITTEN PERMISSION OF FORMEX MANUFACTURING IS PROHIBITED.

UNLESS OTHERWISE SPECIFIED:		NAME	DATE
DIMENSIONS ARE IN INCHES TOLERANCES: FRACTIONAL $\pm 1/32"$ ANGULAR: $\pm 2^\circ$ TWO PLACE DECIMAL $\pm 0.03"$ THREE PLACE DECIMAL $\pm 0.010"$	DRAWN	HKF	6/28/2024
	CHECKED		
	ENG APPR.		
	MFG APPR.		
INTERPRET GEOMETRIC TOLERANCING PER:	Q.A.		
MATERIAL ABS	COMMENTS:		
FINISH GRAY / SMOOTH			
DO NOT SCALE DRAWING			

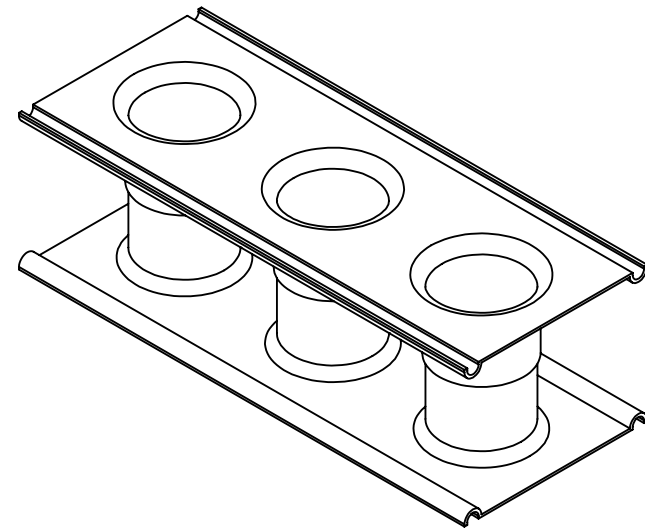
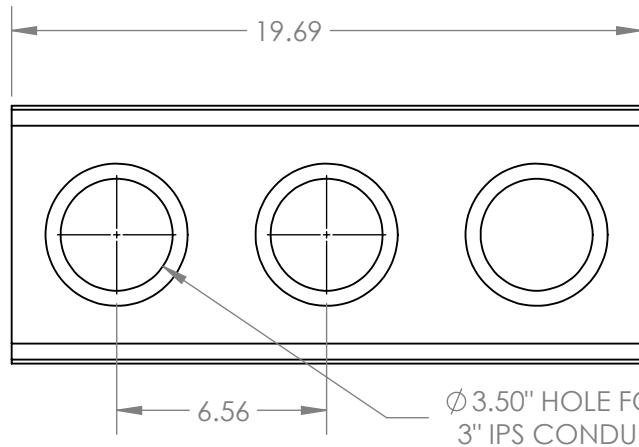
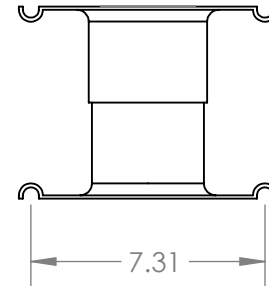
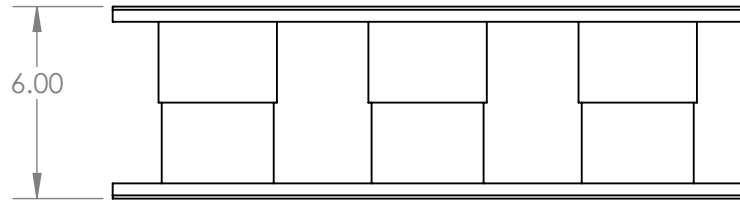
**Formex**<sup>®</sup>  
 manufacturing, inc.

TITLE:  
**TERMINATOR**

SIZE <b>A</b>	DWG. NO. FX-3753-A	REV <b>A</b>
------------------	-----------------------	-----------------

SCALE: 1:6 SHEET 98 OF 314

# T3A3-3030-6SW



**PROPRIETARY AND CONFIDENTIAL**  
THE INFORMATION CONTAINED IN THIS DRAWING IS THE SOLE PROPERTY OF FORMEX MANUFACTURING. ANY REPRODUCTION IN PART OR AS A WHOLE WITHOUT THE WRITTEN PERMISSION OF FORMEX MANUFACTURING IS PROHIBITED.

UNLESS OTHERWISE SPECIFIED:		NAME	DATE
DIMENSIONS ARE IN INCHES TOLERANCES: FRACTIONAL $\pm 1/32"$ ANGULAR: $\pm 2^\circ$ TWO PLACE DECIMAL $\pm 0.03"$ THREE PLACE DECIMAL $\pm 0.010"$	DRAWN	HKF	6/28/2024
	CHECKED		
	ENG APPR.		
	MFG APPR.		
INTERPRET GEOMETRIC TOLERANCING PER:	Q.A.		
MATERIAL ABS	COMMENTS:		
FINISH GRAY / SMOOTH			
DO NOT SCALE DRAWING			

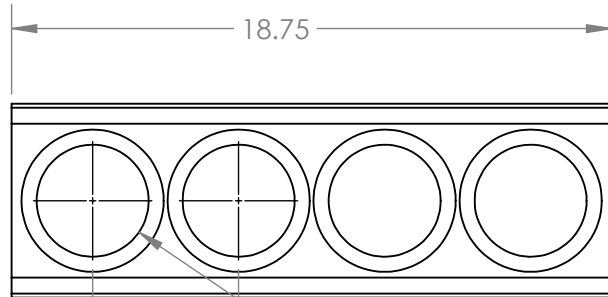
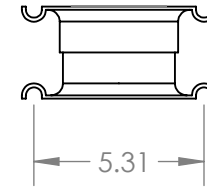
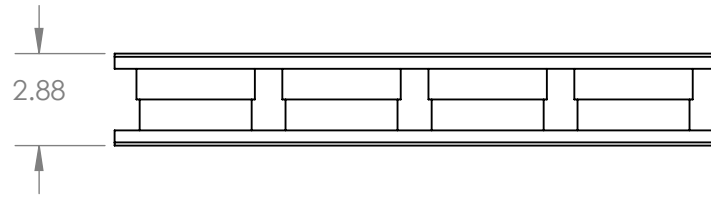
**Formex**<sup>®</sup>  
manufacturing, inc.

TITLE:  
**TERMINATOR**

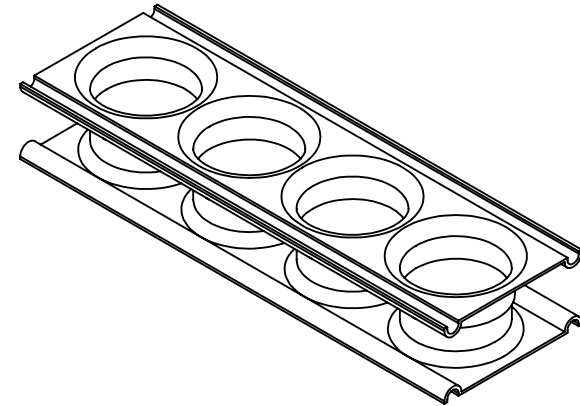
SIZE <b>A</b>	DWG. NO. FX-3753-A	REV <b>A</b>
------------------	-----------------------	-----------------

SCALE: 1:6 SHEET 99 OF 314

# T3A4-1010-2 7/8SW



4.56  $\varnothing$  3.50" HOLE FOR 3" IPS CONDUIT



**PROPRIETARY AND CONFIDENTIAL**  
 THE INFORMATION CONTAINED IN THIS DRAWING IS THE SOLE PROPERTY OF FORMEX MANUFACTURING. ANY REPRODUCTION IN PART OR AS A WHOLE WITHOUT THE WRITTEN PERMISSION OF FORMEX MANUFACTURING IS PROHIBITED.

UNLESS OTHERWISE SPECIFIED:		NAME	DATE
DIMENSIONS ARE IN INCHES TOLERANCES: FRACTIONAL $\pm 1/32"$ ANGULAR: $\pm 2^\circ$ TWO PLACE DECIMAL $\pm 0.03"$ THREE PLACE DECIMAL $\pm 0.010"$	DRAWN	HKF	6/28/2024
	CHECKED		
	ENG APPR.		
	MFG APPR.		
INTERPRET GEOMETRIC TOLERANCING PER:	Q.A.		
MATERIAL ABS	COMMENTS:		
FINISH GRAY / SMOOTH			
DO NOT SCALE DRAWING			

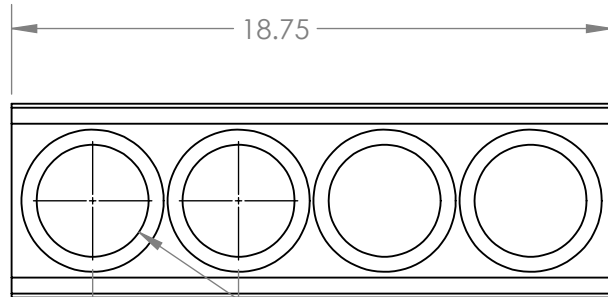
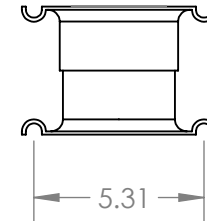
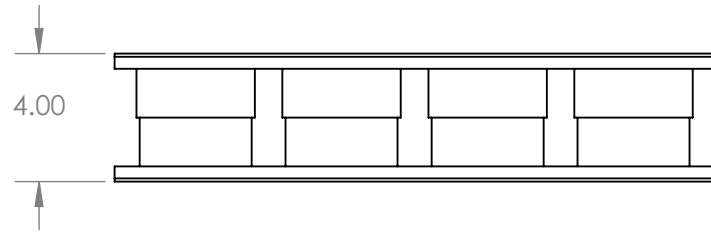
**Formex**<sup>®</sup>  
 manufacturing, inc.

TITLE:  
**TERMINATOR**

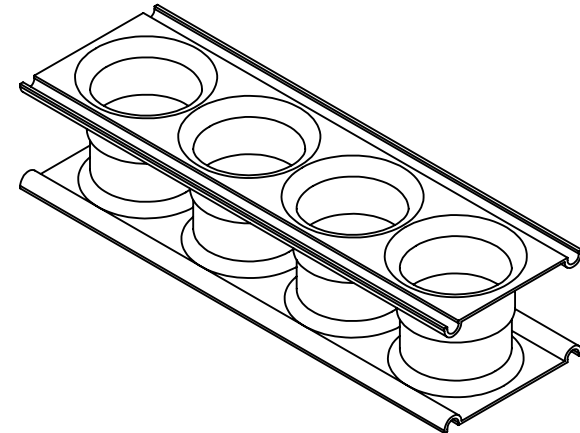
SIZE <b>A</b>	DWG. NO. FX-3753-A	REV <b>A</b>
------------------	-----------------------	-----------------

SCALE: 1:6 SHEET 100 OF 314

# T3A4-1010-4SW



4.56  $\varnothing$  3.50" HOLE FOR 3" IPS CONDUIT



**PROPRIETARY AND CONFIDENTIAL**  
 THE INFORMATION CONTAINED IN THIS DRAWING IS THE SOLE PROPERTY OF FORMEX MANUFACTURING. ANY REPRODUCTION IN PART OR AS A WHOLE WITHOUT THE WRITTEN PERMISSION OF FORMEX MANUFACTURING IS PROHIBITED.

UNLESS OTHERWISE SPECIFIED:		NAME	DATE
DIMENSIONS ARE IN INCHES TOLERANCES: FRACTIONAL $\pm 1/32"$ ANGULAR: $\pm 2^\circ$ TWO PLACE DECIMAL $\pm 0.03"$ THREE PLACE DECIMAL $\pm 0.010"$	DRAWN	HKF	6/28/2024
	CHECKED		
	ENG APPR.		
	MFG APPR.		
INTERPRET GEOMETRIC TOLERANCING PER:	Q.A.		
MATERIAL ABS	COMMENTS:		
FINISH GRAY / SMOOTH			
DO NOT SCALE DRAWING			

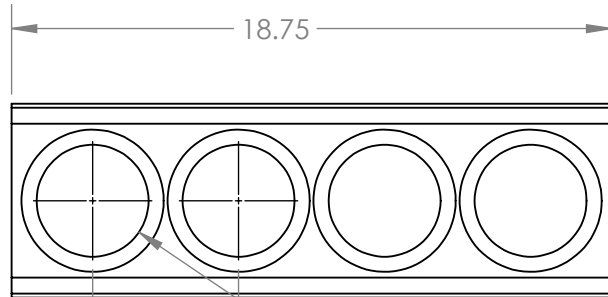
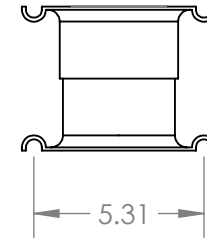
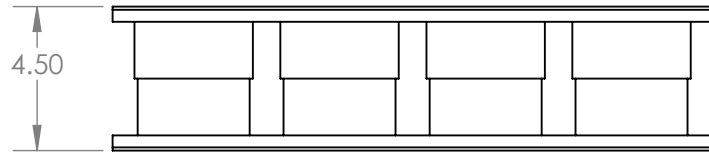
**Formex**<sup>®</sup>  
 manufacturing, inc.

TITLE:  
**TERMINATOR**

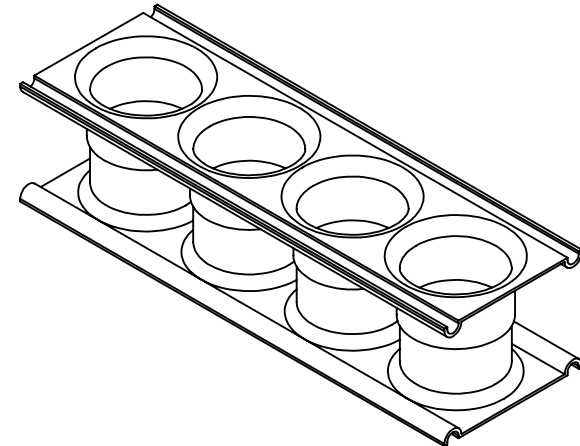
SIZE <b>A</b>	DWG. NO. FX-3753-A	REV <b>A</b>
------------------	-----------------------	-----------------

SCALE: 1:6 SHEET 101 OF 314

# T3A4-1010-4 1/2SW



4.56  $\varnothing$  3.50" HOLE FOR 3" IPS CONDUIT



**PROPRIETARY AND CONFIDENTIAL**  
 THE INFORMATION CONTAINED IN THIS DRAWING IS THE SOLE PROPERTY OF FORMEX MANUFACTURING. ANY REPRODUCTION IN PART OR AS A WHOLE WITHOUT THE WRITTEN PERMISSION OF FORMEX MANUFACTURING IS PROHIBITED.

UNLESS OTHERWISE SPECIFIED:	NAME	DATE
DIMENSIONS ARE IN INCHES	DRAWN	HKF 6/28/2024
TOLERANCES:	CHECKED	
FRACTIONAL $\pm 1/32"$	ENG APPR.	
ANGULAR: $\pm 2^\circ$	MFG APPR.	
TWO PLACE DECIMAL $\pm 0.03"$	Q.A.	
THREE PLACE DECIMAL $\pm 0.010"$	COMMENTS:	
INTERPRET GEOMETRIC TOLERANCING PER:		
MATERIAL		
ABS		
FINISH		
GRAY / SMOOTH		
DO NOT SCALE DRAWING		

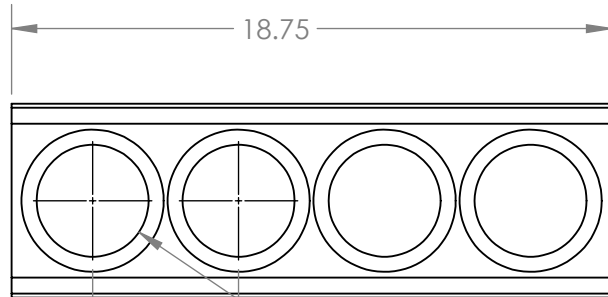
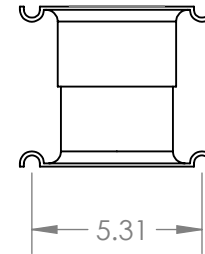
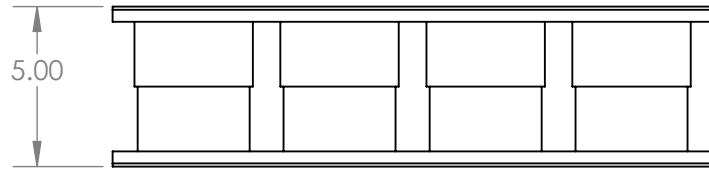
**Formex**<sup>®</sup>  
 manufacturing, inc.

TITLE:  
**TERMINATOR**

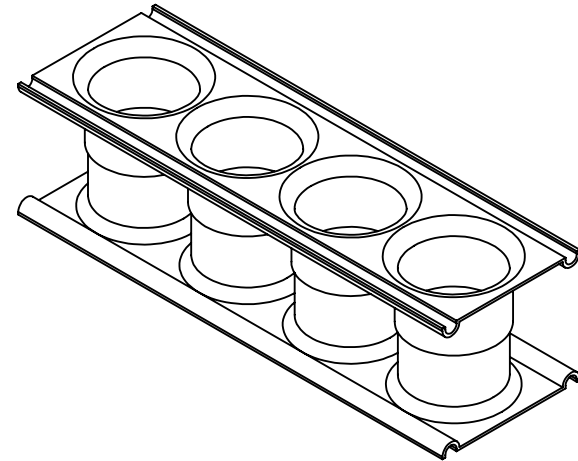
SIZE	DWG. NO.	REV
<b>A</b>	FX-3753-A	<b>A</b>

SCALE: 1:6 SHEET 102 OF 314

# T3A4-1010-5SW



4.56  $\varnothing$  3.50" HOLE FOR 3" IPS CONDUIT



**PROPRIETARY AND CONFIDENTIAL**  
 THE INFORMATION CONTAINED IN THIS DRAWING IS THE SOLE PROPERTY OF FORMEX MANUFACTURING. ANY REPRODUCTION IN PART OR AS A WHOLE WITHOUT THE WRITTEN PERMISSION OF FORMEX MANUFACTURING IS PROHIBITED.

UNLESS OTHERWISE SPECIFIED:		NAME	DATE
DIMENSIONS ARE IN INCHES TOLERANCES: FRACTIONAL $\pm 1/32"$ ANGULAR: $\pm 2^\circ$ TWO PLACE DECIMAL $\pm 0.03"$ THREE PLACE DECIMAL $\pm 0.010"$	DRAWN	HKF	6/28/2024
	CHECKED		
	ENG APPR.		
	MFG APPR.		
INTERPRET GEOMETRIC TOLERANCING PER:	Q.A.		
MATERIAL ABS	COMMENTS:		
FINISH GRAY / SMOOTH			
DO NOT SCALE DRAWING			

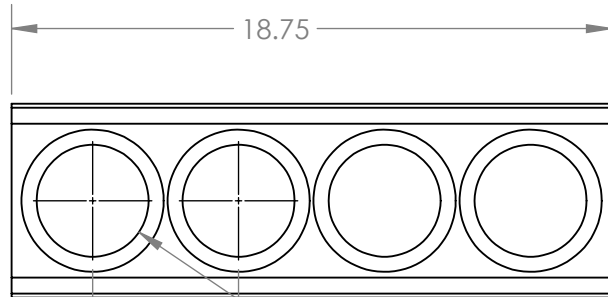
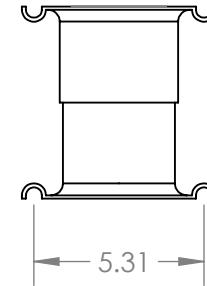
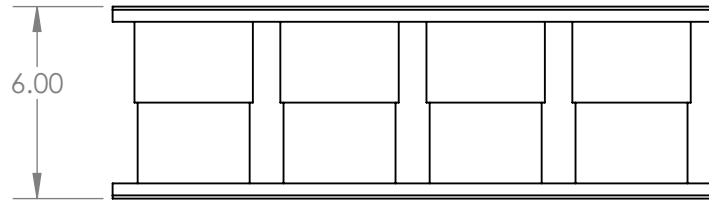
**Formex**<sup>®</sup>  
 manufacturing, inc.

TITLE:  
**TERMINATOR**

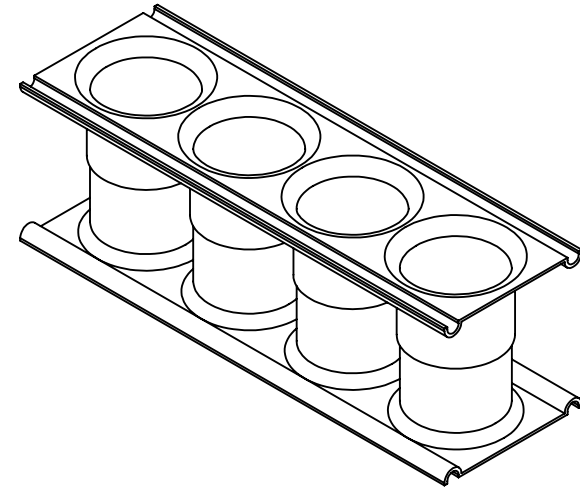
SIZE <b>A</b>	DWG. NO. FX-3753-A	REV <b>A</b>
------------------	-----------------------	-----------------

SCALE: 1:6 SHEET 103 OF 314

# T3A4-1010-6SW



4.56  $\varnothing$  3.50" HOLE FOR 3" IPS CONDUIT



**PROPRIETARY AND CONFIDENTIAL**  
 THE INFORMATION CONTAINED IN THIS DRAWING IS THE SOLE PROPERTY OF FORMEX MANUFACTURING. ANY REPRODUCTION IN PART OR AS A WHOLE WITHOUT THE WRITTEN PERMISSION OF FORMEX MANUFACTURING IS PROHIBITED.

UNLESS OTHERWISE SPECIFIED:	NAME	DATE
DIMENSIONS ARE IN INCHES	DRAWN	HKF 6/28/2024
TOLERANCES:	CHECKED	
FRACTIONAL $\pm 1/32"$	ENG APPR.	
ANGULAR: $\pm 2^\circ$	MFG APPR.	
TWO PLACE DECIMAL $\pm 0.03"$	Q.A.	
THREE PLACE DECIMAL $\pm 0.010"$	COMMENTS:	
INTERPRET GEOMETRIC TOLERANCING PER:		
MATERIAL		
ABS		
FINISH		
GRAY / SMOOTH		
DO NOT SCALE DRAWING		

**Formex**<sup>®</sup>  
 manufacturing, inc.

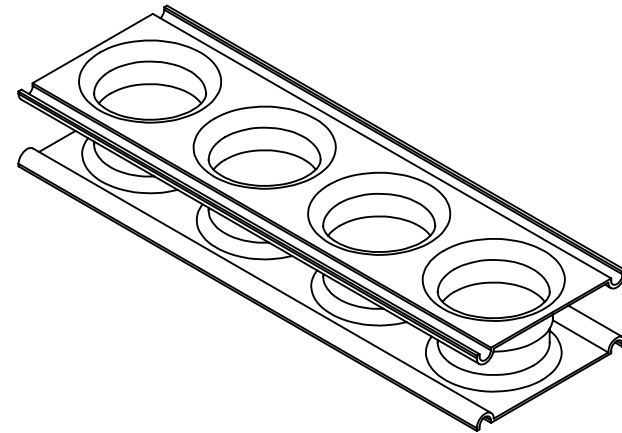
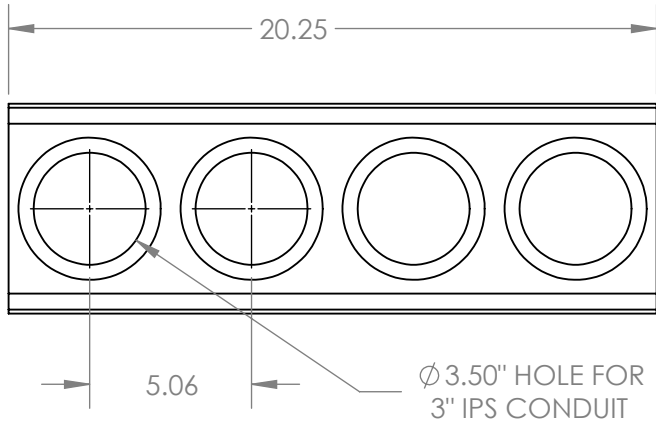
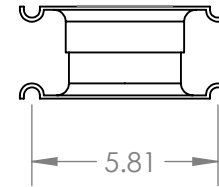
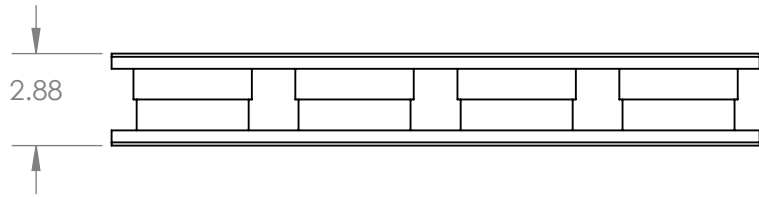
TITLE:  
**TERMINATOR**

SIZE <b>A</b>	DWG. NO. FX-3753-A	REV <b>A</b>
------------------	-----------------------	-----------------

SCALE: 1:6 SHEET 104 OF 314



# T3A4-1515-2 7/8SW



**PROPRIETARY AND CONFIDENTIAL**  
 THE INFORMATION CONTAINED IN THIS DRAWING IS THE SOLE PROPERTY OF FORMEX MANUFACTURING. ANY REPRODUCTION IN PART OR AS A WHOLE WITHOUT THE WRITTEN PERMISSION OF FORMEX MANUFACTURING IS PROHIBITED.

UNLESS OTHERWISE SPECIFIED:	NAME	DATE
DIMENSIONS ARE IN INCHES	DRAWN	HKF 6/28/2024
TOLERANCES:	CHECKED	
FRACTIONAL $\pm 1/32"$	ENG APPR.	
ANGULAR: $\pm 2^\circ$	MFG APPR.	
TWO PLACE DECIMAL $\pm 0.03"$	Q.A.	
THREE PLACE DECIMAL $\pm 0.010"$	COMMENTS:	
INTERPRET GEOMETRIC TOLERANCING PER:		
MATERIAL		
ABS		
FINISH		
GRAY / SMOOTH		
DO NOT SCALE DRAWING		

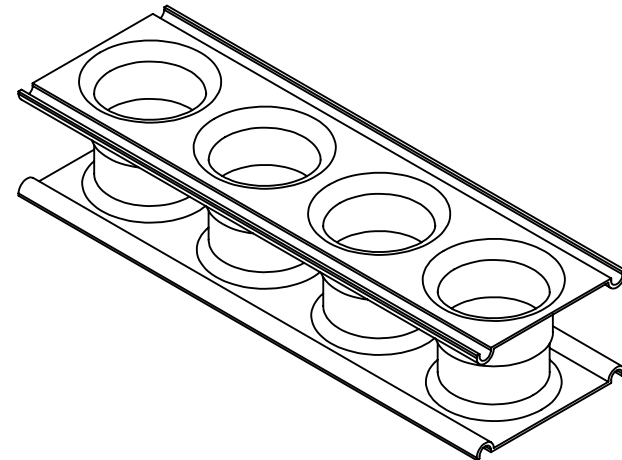
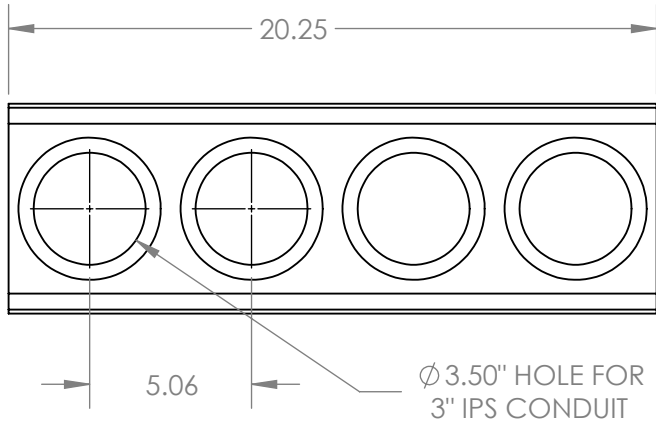
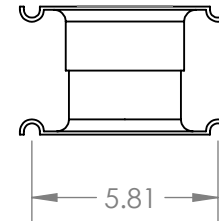
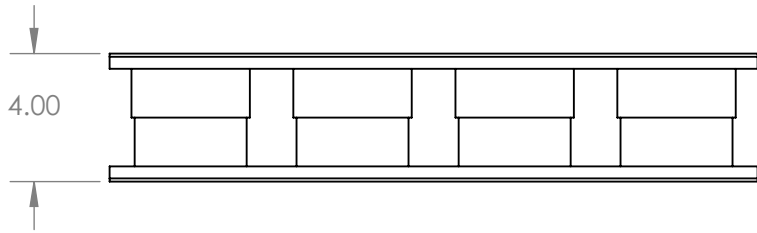
**Formex**<sup>®</sup>  
 manufacturing, inc.

TITLE:  
**TERMINATOR**

SIZE <b>A</b>	DWG. NO. FX-3753-A	REV <b>A</b>
------------------	-----------------------	-----------------

SCALE: 1:6 SHEET 105 OF 314

# T3A4-1515-4SW



**PROPRIETARY AND CONFIDENTIAL**  
 THE INFORMATION CONTAINED IN THIS DRAWING IS THE SOLE PROPERTY OF FORMEX MANUFACTURING. ANY REPRODUCTION IN PART OR AS A WHOLE WITHOUT THE WRITTEN PERMISSION OF FORMEX MANUFACTURING IS PROHIBITED.

UNLESS OTHERWISE SPECIFIED:	NAME	DATE
DIMENSIONS ARE IN INCHES	DRAWN	HKF 6/28/2024
TOLERANCES:	CHECKED	
FRACTIONAL $\pm 1/32"$	ENG APPR.	
ANGULAR: $\pm 2^\circ$	MFG APPR.	
TWO PLACE DECIMAL $\pm 0.03"$	Q.A.	
THREE PLACE DECIMAL $\pm 0.010"$	COMMENTS:	
INTERPRET GEOMETRIC TOLERANCING PER:		
MATERIAL		
ABS		
FINISH		
GRAY / SMOOTH		
DO NOT SCALE DRAWING		

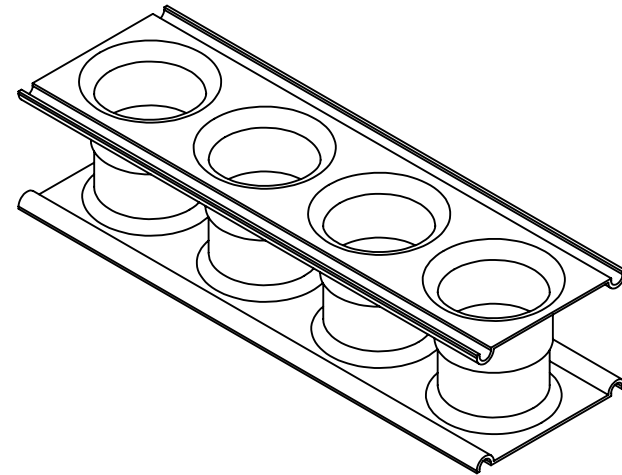
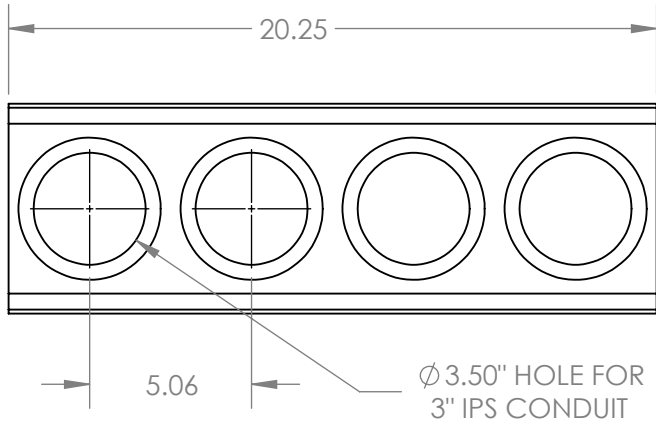
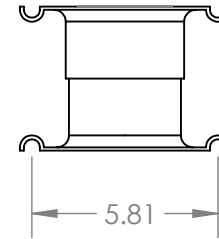
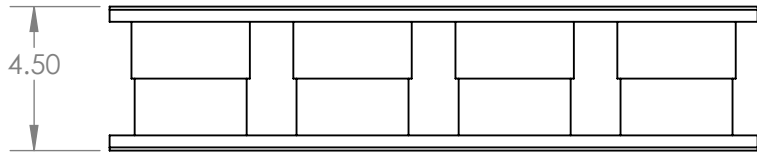
**Formex**<sup>®</sup>  
 manufacturing, inc.

TITLE:  
**TERMINATOR**

SIZE	DWG. NO.	REV
<b>A</b>	FX-3753-A	<b>A</b>

SCALE: 1:6 SHEET 106 OF 314

# T3A4-1515-4 1/2SW



**PROPRIETARY AND CONFIDENTIAL**  
 THE INFORMATION CONTAINED IN THIS DRAWING IS THE SOLE PROPERTY OF FORMEX MANUFACTURING. ANY REPRODUCTION IN PART OR AS A WHOLE WITHOUT THE WRITTEN PERMISSION OF FORMEX MANUFACTURING IS PROHIBITED.

UNLESS OTHERWISE SPECIFIED:	NAME	DATE
DIMENSIONS ARE IN INCHES	DRAWN	HKF 6/28/2024
TOLERANCES:	CHECKED	
FRACTIONAL $\pm 1/32"$	ENG APPR.	
ANGULAR: $\pm 2^\circ$	MFG APPR.	
TWO PLACE DECIMAL $\pm 0.03"$	Q.A.	
THREE PLACE DECIMAL $\pm 0.010"$	COMMENTS:	
INTERPRET GEOMETRIC TOLERANCING PER:		
MATERIAL		
ABS		
FINISH		
GRAY / SMOOTH		
DO NOT SCALE DRAWING		

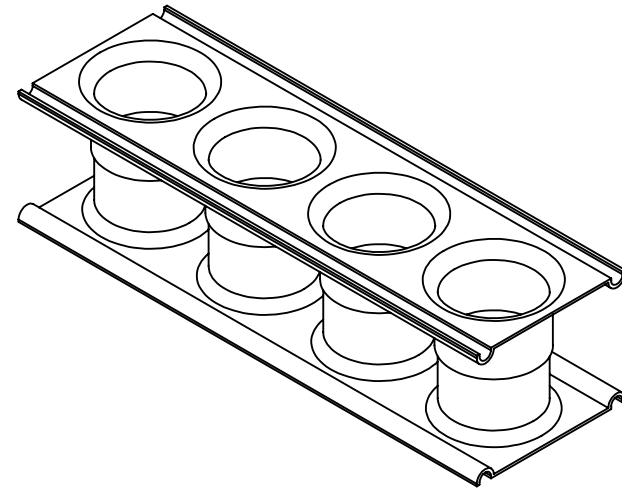
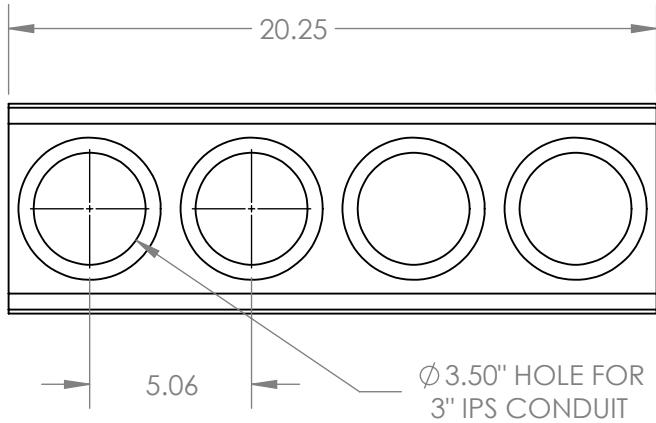
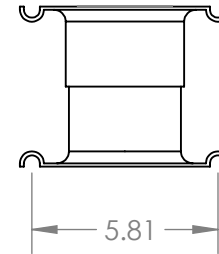
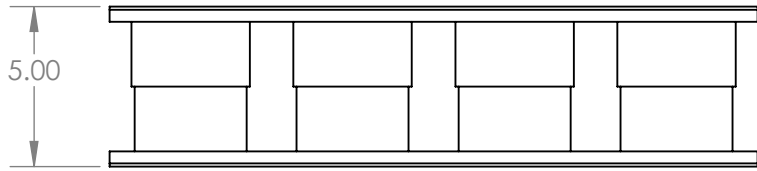
**Formex**<sup>®</sup>  
 manufacturing, inc.

TITLE:  
**TERMINATOR**

SIZE	DWG. NO.	REV
<b>A</b>	FX-3753-A	<b>A</b>

SCALE: 1:6 SHEET 107 OF 314

# T3A4-1515-5SW



**PROPRIETARY AND CONFIDENTIAL**  
 THE INFORMATION CONTAINED IN THIS DRAWING IS THE SOLE PROPERTY OF FORMEX MANUFACTURING. ANY REPRODUCTION IN PART OR AS A WHOLE WITHOUT THE WRITTEN PERMISSION OF FORMEX MANUFACTURING IS PROHIBITED.

UNLESS OTHERWISE SPECIFIED:	NAME	DATE
DIMENSIONS ARE IN INCHES	DRAWN	HKF 6/28/2024
TOLERANCES:	CHECKED	
FRACTIONAL $\pm 1/32"$	ENG APPR.	
ANGULAR: $\pm 2^\circ$	MFG APPR.	
TWO PLACE DECIMAL $\pm 0.03"$	Q.A.	
THREE PLACE DECIMAL $\pm 0.010"$	COMMENTS:	
INTERPRET GEOMETRIC TOLERANCING PER:		
MATERIAL		
ABS		
FINISH		
GRAY / SMOOTH		
DO NOT SCALE DRAWING		

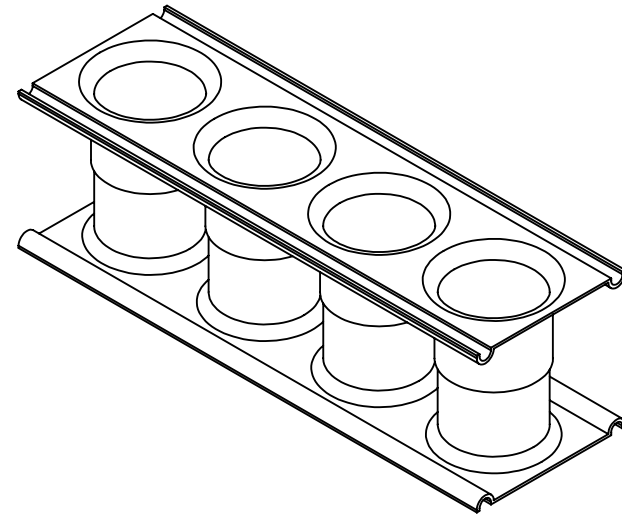
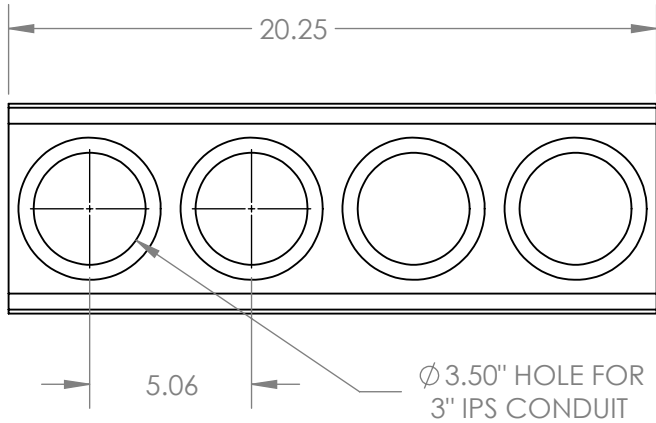
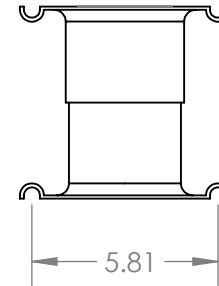
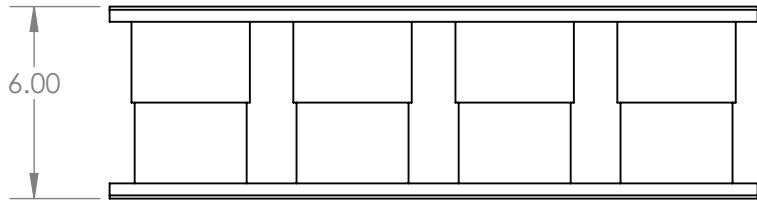
**Formex**<sup>®</sup>  
 manufacturing, inc.

TITLE:  
**TERMINATOR**

SIZE	DWG. NO.	REV
<b>A</b>	FX-3753-A	<b>A</b>

SCALE: 1:6 SHEET 108 OF 314

# T3A4-1515-6SW



**PROPRIETARY AND CONFIDENTIAL**  
 THE INFORMATION CONTAINED IN THIS DRAWING IS THE SOLE PROPERTY OF FORMEX MANUFACTURING. ANY REPRODUCTION IN PART OR AS A WHOLE WITHOUT THE WRITTEN PERMISSION OF FORMEX MANUFACTURING IS PROHIBITED.

UNLESS OTHERWISE SPECIFIED:	NAME	DATE
DIMENSIONS ARE IN INCHES	DRAWN	HKF 6/28/2024
TOLERANCES:	CHECKED	
FRACTIONAL $\pm 1/32"$	ENG APPR.	
ANGULAR: $\pm 2^\circ$	MFG APPR.	
TWO PLACE DECIMAL $\pm 0.03"$	Q.A.	
THREE PLACE DECIMAL $\pm 0.010"$	COMMENTS:	
INTERPRET GEOMETRIC TOLERANCING PER:		
MATERIAL		
ABS		
FINISH		
GRAY / SMOOTH		
DO NOT SCALE DRAWING		

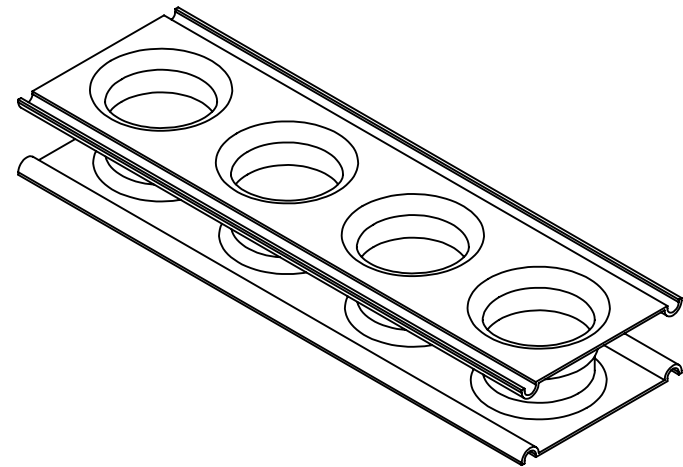
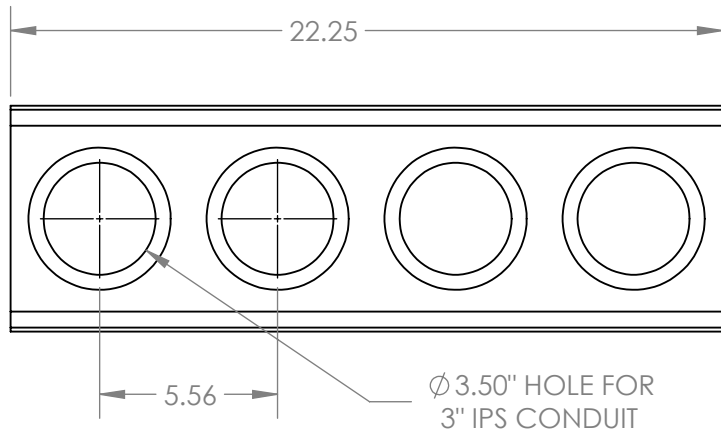
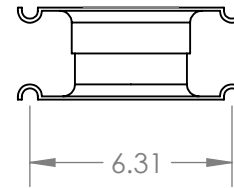
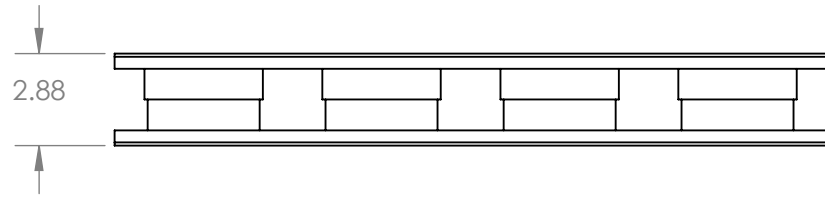
**Formex**<sup>®</sup>  
 manufacturing, inc.

TITLE:  
**TERMINATOR**

SIZE <b>A</b>	DWG. NO. FX-3753-A	REV <b>A</b>
------------------	-----------------------	-----------------

SCALE: 1:6 SHEET 109 OF 314

# T3A4-2020-2 7/8SW



**PROPRIETARY AND CONFIDENTIAL**  
 THE INFORMATION CONTAINED IN THIS DRAWING IS THE SOLE PROPERTY OF FORMEX MANUFACTURING. ANY REPRODUCTION IN PART OR AS A WHOLE WITHOUT THE WRITTEN PERMISSION OF FORMEX MANUFACTURING IS PROHIBITED.

UNLESS OTHERWISE SPECIFIED:	NAME	DATE
DIMENSIONS ARE IN INCHES	DRAWN	HKF 6/28/2024
TOLERANCES:	CHECKED	
FRACTIONAL ±1/32"	ENG APPR.	
ANGULAR: ±2°	MFG APPR.	
TWO PLACE DECIMAL ±0.03"	Q.A.	
THREE PLACE DECIMAL ±0.010"	COMMENTS:	
INTERPRET GEOMETRIC TOLERANCING PER:		
MATERIAL		
ABS		
FINISH		
GRAY / SMOOTH		
DO NOT SCALE DRAWING		

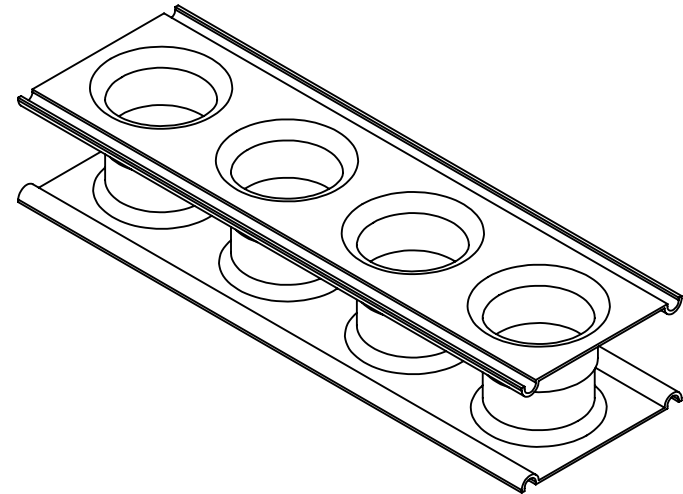
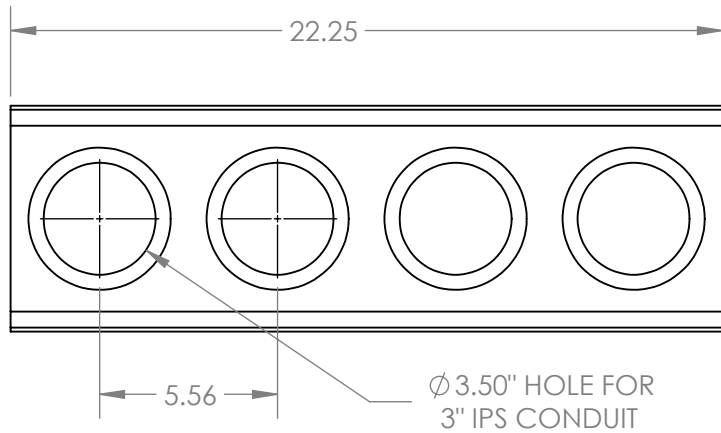
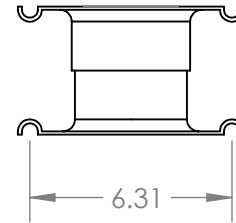
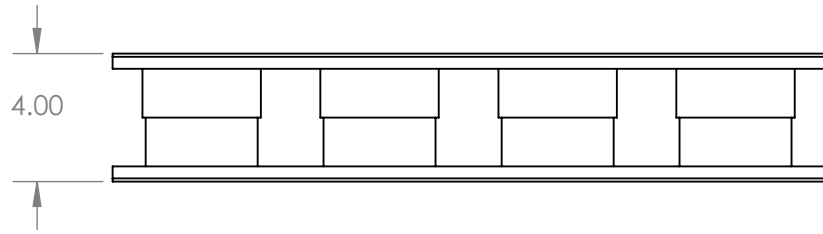
**Formex**<sup>®</sup>  
 manufacturing, inc.

TITLE:  
**TERMINATOR**

SIZE	DWG. NO.	REV
<b>A</b>	FX-3753-A	<b>A</b>

SCALE: 1:6 SHEET 110 OF 314

# T3A4-2020-4SW



**PROPRIETARY AND CONFIDENTIAL**  
 THE INFORMATION CONTAINED IN THIS DRAWING IS THE SOLE PROPERTY OF FORMEX MANUFACTURING. ANY REPRODUCTION IN PART OR AS A WHOLE WITHOUT THE WRITTEN PERMISSION OF FORMEX MANUFACTURING IS PROHIBITED.

UNLESS OTHERWISE SPECIFIED:	NAME	DATE
DIMENSIONS ARE IN INCHES	DRAWN	HKF 6/28/2024
TOLERANCES:	CHECKED	
FRACTIONAL ±1/32"	ENG APPR.	
ANGULAR: ±2°	MFG APPR.	
TWO PLACE DECIMAL ±0.03"	Q.A.	
THREE PLACE DECIMAL ±0.010"	COMMENTS:	
INTERPRET GEOMETRIC TOLERANCING PER:		
MATERIAL		
ABS		
FINISH		
GRAY / SMOOTH		
DO NOT SCALE DRAWING		

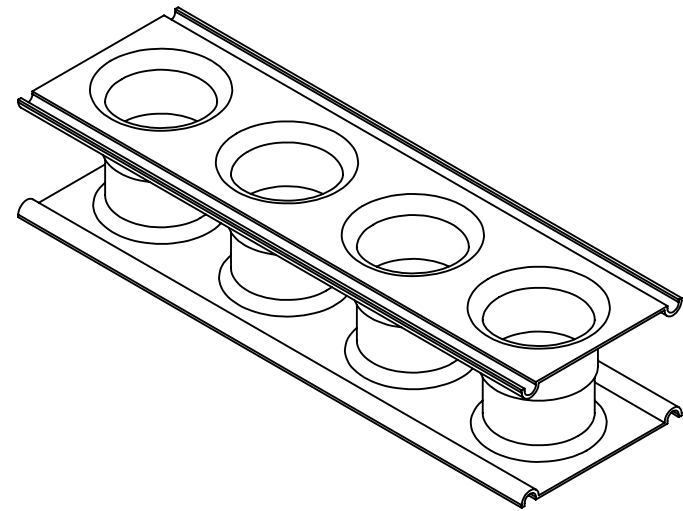
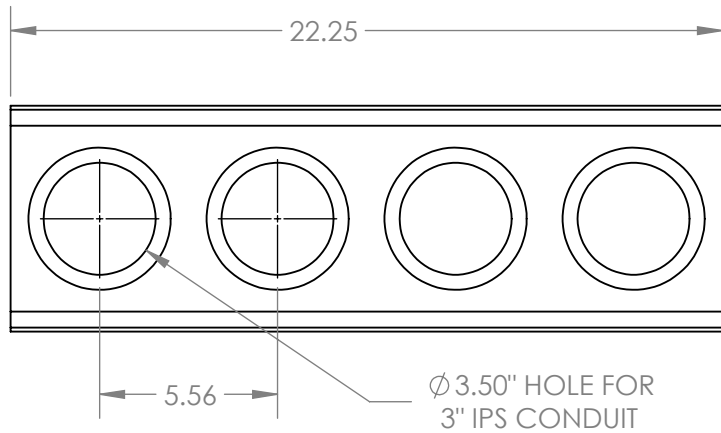
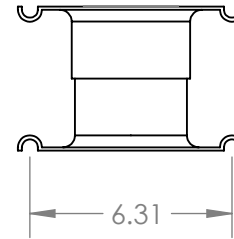
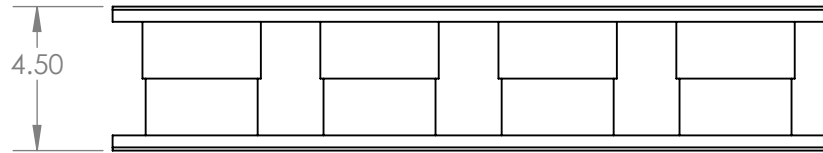
**Formex**<sup>®</sup>  
 manufacturing, inc.

TITLE:  
**TERMINATOR**

SIZE	DWG. NO.	REV
<b>A</b>	FX-3753-A	<b>A</b>

SCALE: 1:6 SHEET 111 OF 314

# T3A4-2020-4 1/2SW



**PROPRIETARY AND CONFIDENTIAL**  
 THE INFORMATION CONTAINED IN THIS DRAWING IS THE SOLE PROPERTY OF FORMEX MANUFACTURING. ANY REPRODUCTION IN PART OR AS A WHOLE WITHOUT THE WRITTEN PERMISSION OF FORMEX MANUFACTURING IS PROHIBITED.

UNLESS OTHERWISE SPECIFIED:	NAME	DATE
DIMENSIONS ARE IN INCHES	DRAWN	HKF 6/28/2024
TOLERANCES:	CHECKED	
FRACTIONAL ±1/32"	ENG APPR.	
ANGULAR: ±2°	MFG APPR.	
TWO PLACE DECIMAL ±0.03"	Q.A.	
THREE PLACE DECIMAL ±0.010"	COMMENTS:	
INTERPRET GEOMETRIC TOLERANCING PER:		
MATERIAL		
ABS		
FINISH		
GRAY / SMOOTH		
DO NOT SCALE DRAWING		

**Formex**<sup>®</sup>  
 manufacturing, inc.

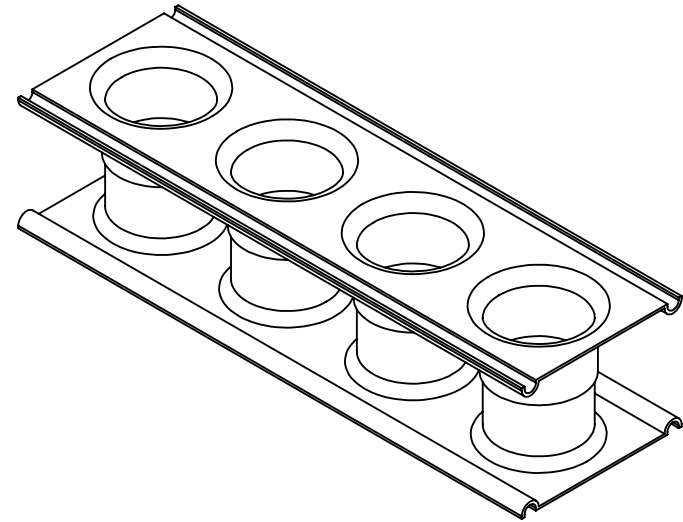
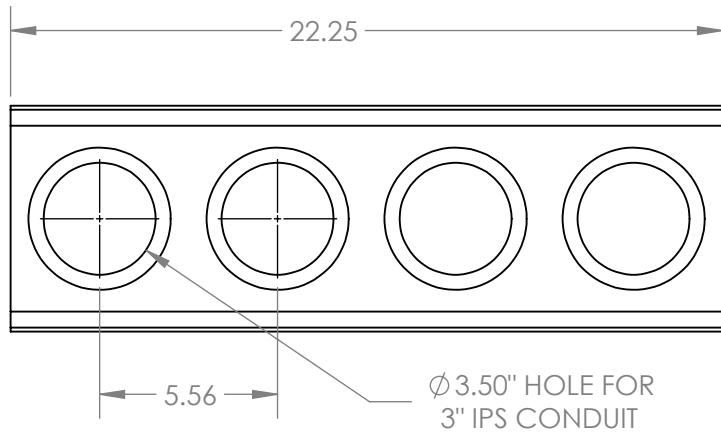
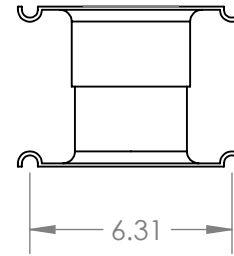
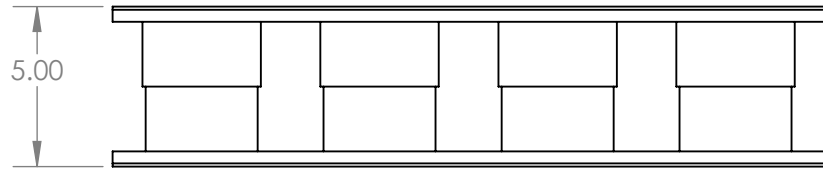
TITLE:  
**TERMINATOR**

SIZE	DWG. NO.	REV
<b>A</b>	FX-3753-A	<b>A</b>

SCALE: 1:6 SHEET 112 OF 314



# T3A4-2020-5SW



**PROPRIETARY AND CONFIDENTIAL**  
 THE INFORMATION CONTAINED IN THIS DRAWING IS THE SOLE PROPERTY OF FORMEX MANUFACTURING. ANY REPRODUCTION IN PART OR AS A WHOLE WITHOUT THE WRITTEN PERMISSION OF FORMEX MANUFACTURING IS PROHIBITED.

UNLESS OTHERWISE SPECIFIED:	NAME	DATE
DIMENSIONS ARE IN INCHES	DRAWN	HKF 6/28/2024
TOLERANCES:	CHECKED	
FRACTIONAL ±1/32"	ENG APPR.	
ANGULAR: ±2°	MFG APPR.	
TWO PLACE DECIMAL ±0.03"	Q.A.	
THREE PLACE DECIMAL ±0.010"	COMMENTS:	
INTERPRET GEOMETRIC TOLERANCING PER:		
MATERIAL		
ABS		
FINISH		
GRAY / SMOOTH		
DO NOT SCALE DRAWING		

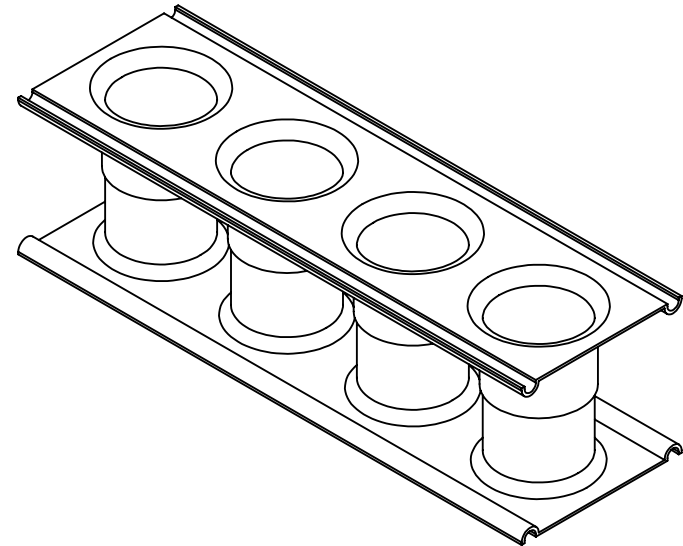
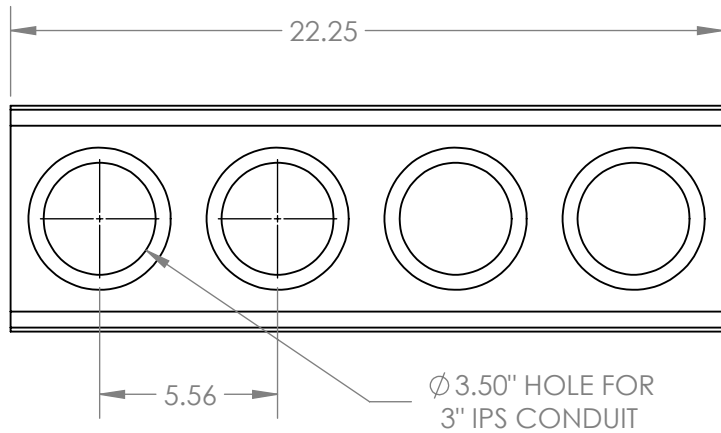
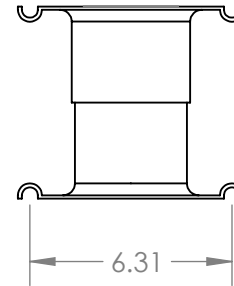
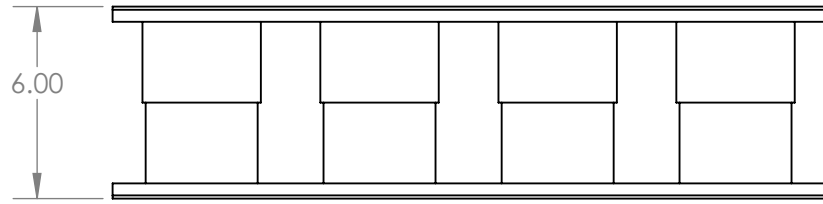
**Formex**<sup>®</sup>  
 manufacturing, inc.

TITLE:  
**TERMINATOR**

SIZE	DWG. NO.	REV
<b>A</b>	FX-3753-A	<b>A</b>

SCALE: 1:6 SHEET 113 OF 314

# T3A4-2020-6SW



**PROPRIETARY AND CONFIDENTIAL**  
 THE INFORMATION CONTAINED IN THIS DRAWING IS THE SOLE PROPERTY OF FORMEX MANUFACTURING. ANY REPRODUCTION IN PART OR AS A WHOLE WITHOUT THE WRITTEN PERMISSION OF FORMEX MANUFACTURING IS PROHIBITED.

UNLESS OTHERWISE SPECIFIED:	NAME	DATE
DIMENSIONS ARE IN INCHES	DRAWN	HKF 6/28/2024
TOLERANCES:	CHECKED	
FRACTIONAL $\pm 1/32"$	ENG APPR.	
ANGULAR: $\pm 2^\circ$	MFG APPR.	
TWO PLACE DECIMAL $\pm 0.03"$	Q.A.	
THREE PLACE DECIMAL $\pm 0.010"$	COMMENTS:	
INTERPRET GEOMETRIC TOLERANCING PER:		
MATERIAL		
ABS		
FINISH		
GRAY / SMOOTH		
DO NOT SCALE DRAWING		

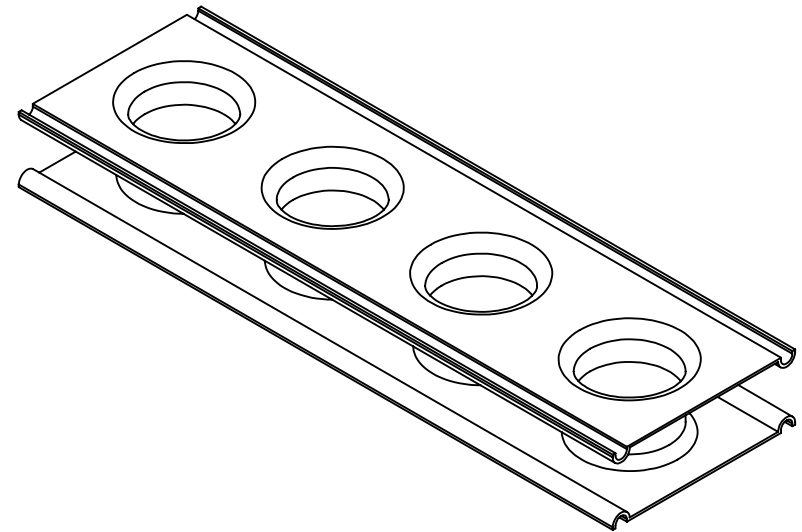
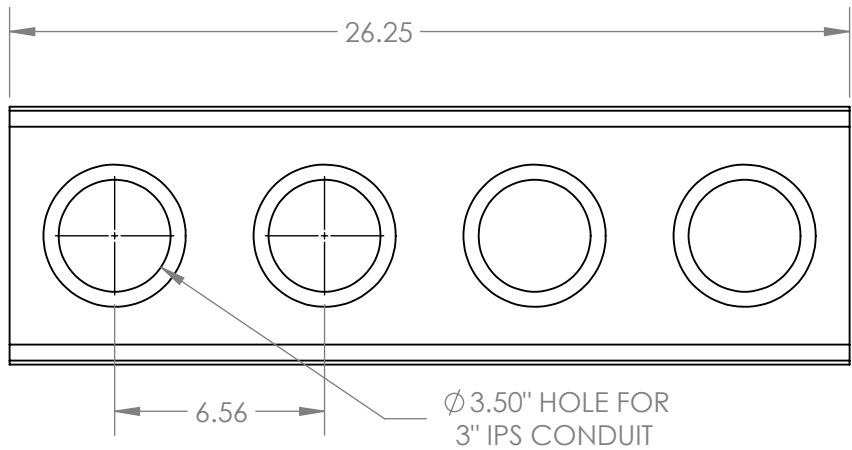
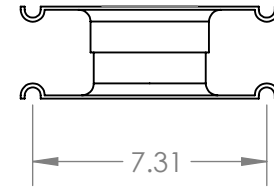
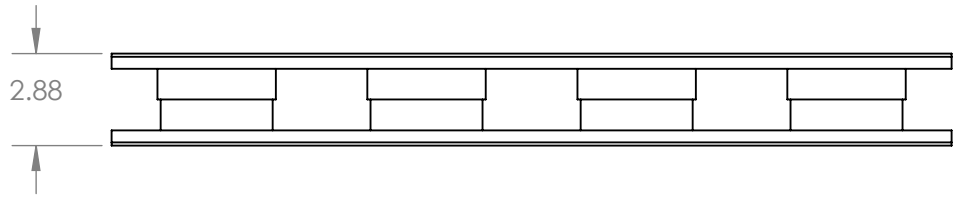
**Formex**<sup>®</sup>  
 manufacturing, inc.

TITLE:  
**TERMINATOR**

SIZE <b>A</b>	DWG. NO. FX-3753-A	REV <b>A</b>
------------------	-----------------------	-----------------

SCALE: 1:6 SHEET 114 OF 314

# T3A4-3030-2 7/8SW



**PROPRIETARY AND CONFIDENTIAL**  
 THE INFORMATION CONTAINED IN THIS DRAWING IS THE SOLE PROPERTY OF FORMEX MANUFACTURING. ANY REPRODUCTION IN PART OR AS A WHOLE WITHOUT THE WRITTEN PERMISSION OF FORMEX MANUFACTURING IS PROHIBITED.

UNLESS OTHERWISE SPECIFIED:		NAME	DATE
DIMENSIONS ARE IN INCHES	DRAWN	HKF	6/28/2024
TOLERANCES:	CHECKED		
FRACTIONAL $\pm 1/32"$	ENG APPR.		
ANGULAR: $\pm 2^\circ$	MFG APPR.		
TWO PLACE DECIMAL $\pm 0.03"$	Q.A.		
THREE PLACE DECIMAL $\pm 0.010"$	COMMENTS:		
INTERPRET GEOMETRIC TOLERANCING PER:			
MATERIAL			
ABS			
FINISH			
GRAY / SMOOTH			
DO NOT SCALE DRAWING			

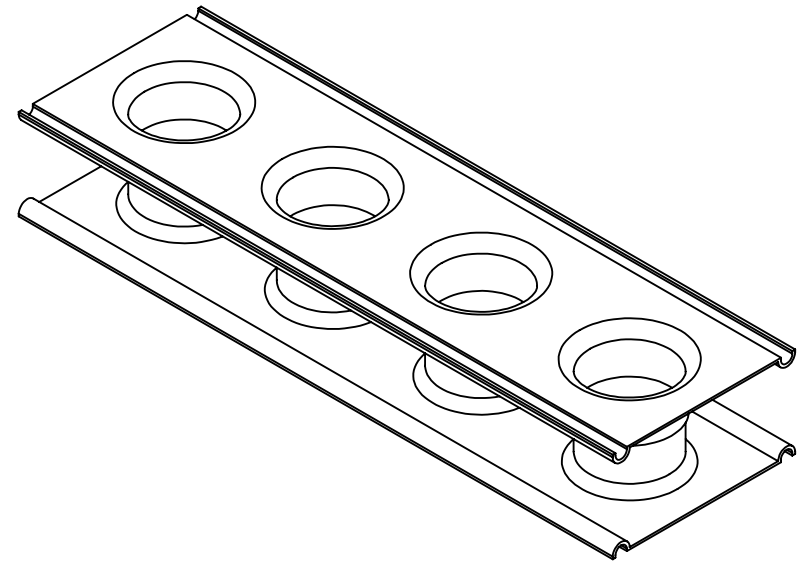
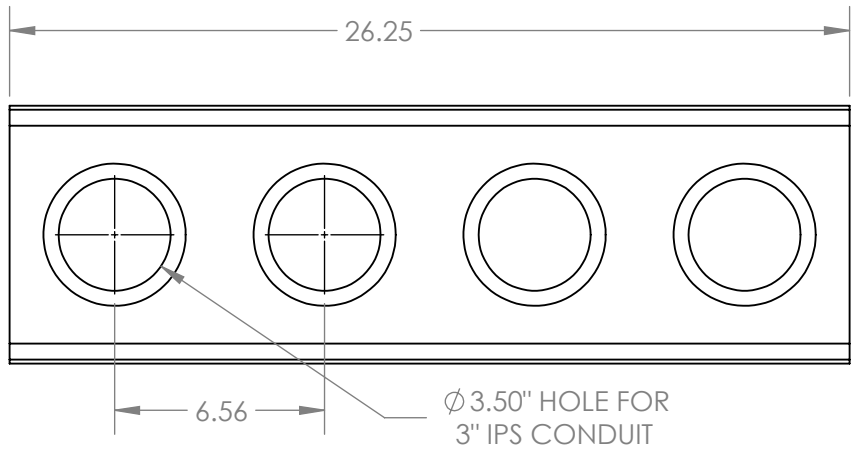
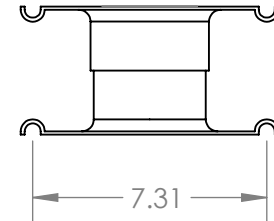
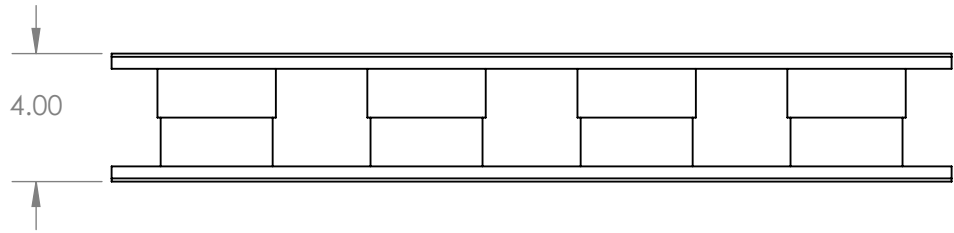
**Formex**<sup>®</sup>  
 manufacturing, inc.

TITLE:  
**TERMINATOR**

SIZE	DWG. NO.	REV
<b>A</b>	FX-3753-A	<b>A</b>

SCALE: 1:6 SHEET 115 OF 314

# T3A4-3030-4SW



**PROPRIETARY AND CONFIDENTIAL**  
 THE INFORMATION CONTAINED IN THIS DRAWING IS THE SOLE PROPERTY OF FORMEX MANUFACTURING. ANY REPRODUCTION IN PART OR AS A WHOLE WITHOUT THE WRITTEN PERMISSION OF FORMEX MANUFACTURING IS PROHIBITED.

UNLESS OTHERWISE SPECIFIED:		NAME	DATE
DIMENSIONS ARE IN INCHES TOLERANCES: FRACTIONAL ±1/32" ANGULAR: ±2° TWO PLACE DECIMAL ±0.03" THREE PLACE DECIMAL ±0.010"	DRAWN	HKF	6/28/2024
	CHECKED		
	ENG APPR.		
	MFG APPR.		
INTERPRET GEOMETRIC TOLERANCING PER:	Q.A.		
MATERIAL ABS	COMMENTS:		
FINISH GRAY / SMOOTH			
DO NOT SCALE DRAWING			

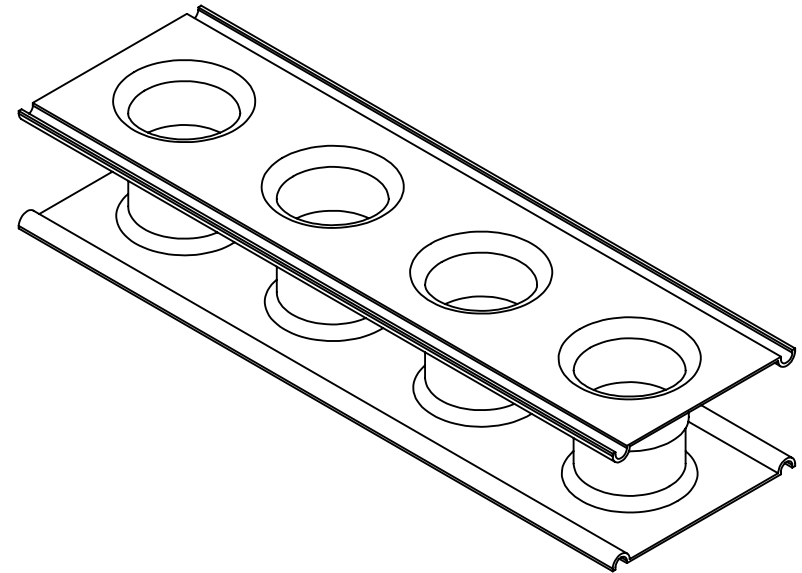
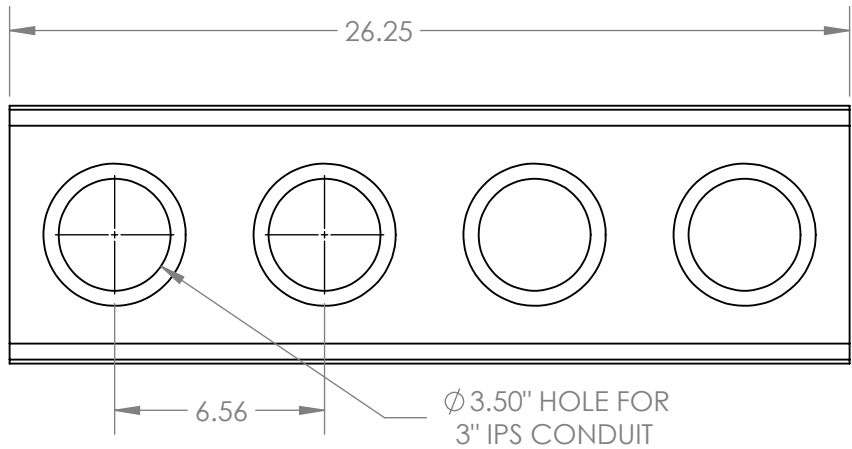
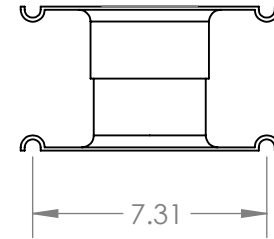
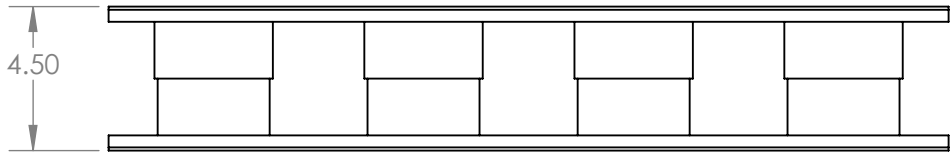
**Formex**<sup>®</sup>  
 manufacturing, inc.

TITLE:  
**TERMINATOR**

SIZE <b>A</b>	DWG. NO. FX-3753-A	REV <b>A</b>
------------------	-----------------------	-----------------

SCALE: 1:6 SHEET 116 OF 314

# T3A4-3030-4 1/2SW



**PROPRIETARY AND CONFIDENTIAL**  
 THE INFORMATION CONTAINED IN THIS DRAWING IS THE SOLE PROPERTY OF FORMEX MANUFACTURING. ANY REPRODUCTION IN PART OR AS A WHOLE WITHOUT THE WRITTEN PERMISSION OF FORMEX MANUFACTURING IS PROHIBITED.

UNLESS OTHERWISE SPECIFIED:		NAME	DATE
DIMENSIONS ARE IN INCHES TOLERANCES: FRACTIONAL ±1/32" ANGULAR: ±2° TWO PLACE DECIMAL ±0.03" THREE PLACE DECIMAL ±0.010"	DRAWN	HKF	6/28/2024
	CHECKED		
	ENG APPR.		
	MFG APPR.		
INTERPRET GEOMETRIC TOLERANCING PER:	Q.A.		
MATERIAL ABS	COMMENTS:		
FINISH GRAY / SMOOTH			
DO NOT SCALE DRAWING			

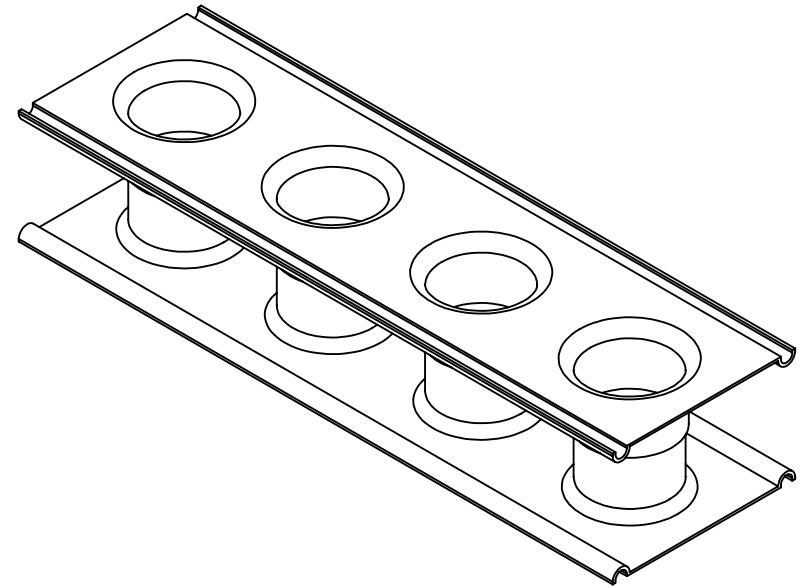
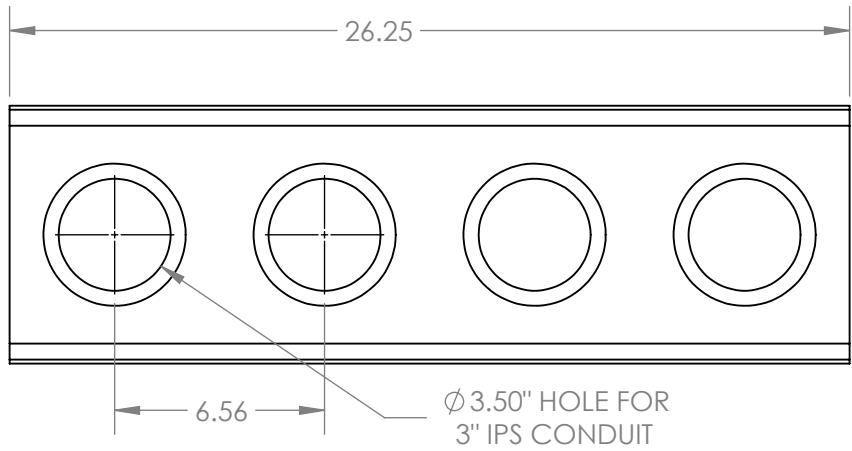
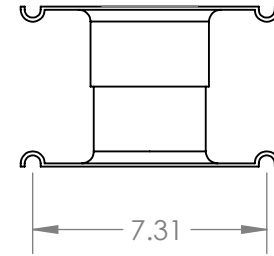
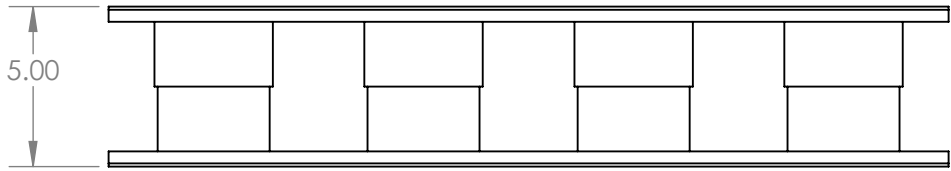
**Formex**<sup>®</sup>  
 manufacturing, inc.

TITLE:  
**TERMINATOR**

SIZE <b>A</b>	DWG. NO. FX-3753-A	REV <b>A</b>
------------------	-----------------------	-----------------

SCALE: 1:6 SHEET 117 OF 314

# T3A4-3030-5SW



**PROPRIETARY AND CONFIDENTIAL**  
 THE INFORMATION CONTAINED IN THIS DRAWING IS THE SOLE PROPERTY OF FORMEX MANUFACTURING. ANY REPRODUCTION IN PART OR AS A WHOLE WITHOUT THE WRITTEN PERMISSION OF FORMEX MANUFACTURING IS PROHIBITED.

UNLESS OTHERWISE SPECIFIED:		NAME	DATE
DIMENSIONS ARE IN INCHES TOLERANCES: FRACTIONAL $\pm 1/32"$ ANGULAR: $\pm 2^\circ$ TWO PLACE DECIMAL $\pm 0.03"$ THREE PLACE DECIMAL $\pm 0.010"$	DRAWN	HKF	6/28/2024
	CHECKED		
	ENG APPR.		
	MFG APPR.		
INTERPRET GEOMETRIC TOLERANCING PER:	Q.A.		
MATERIAL ABS	COMMENTS:		
FINISH GRAY / SMOOTH			
DO NOT SCALE DRAWING			

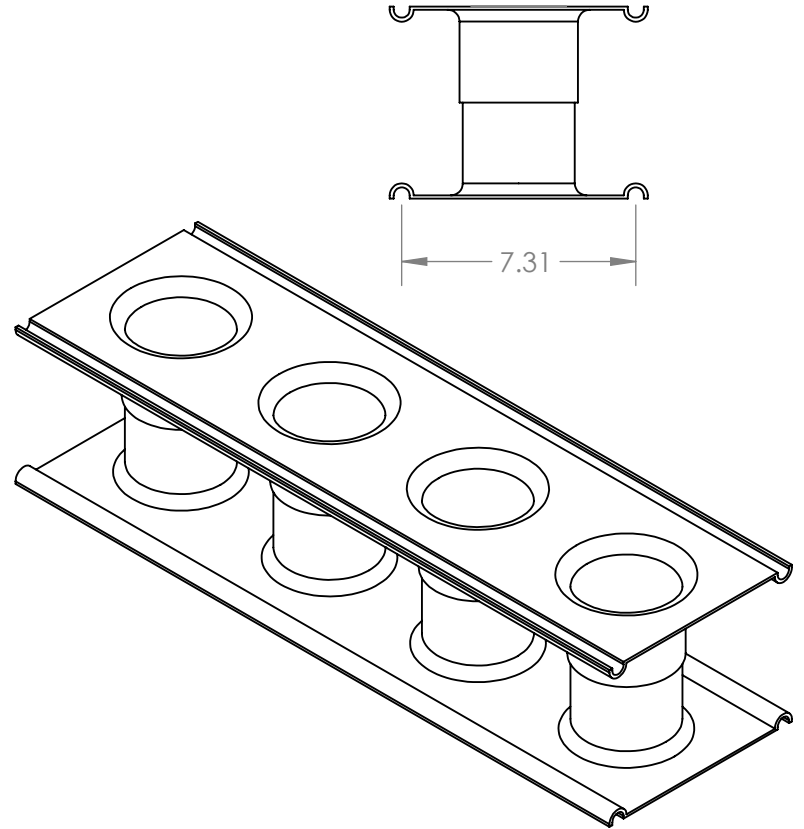
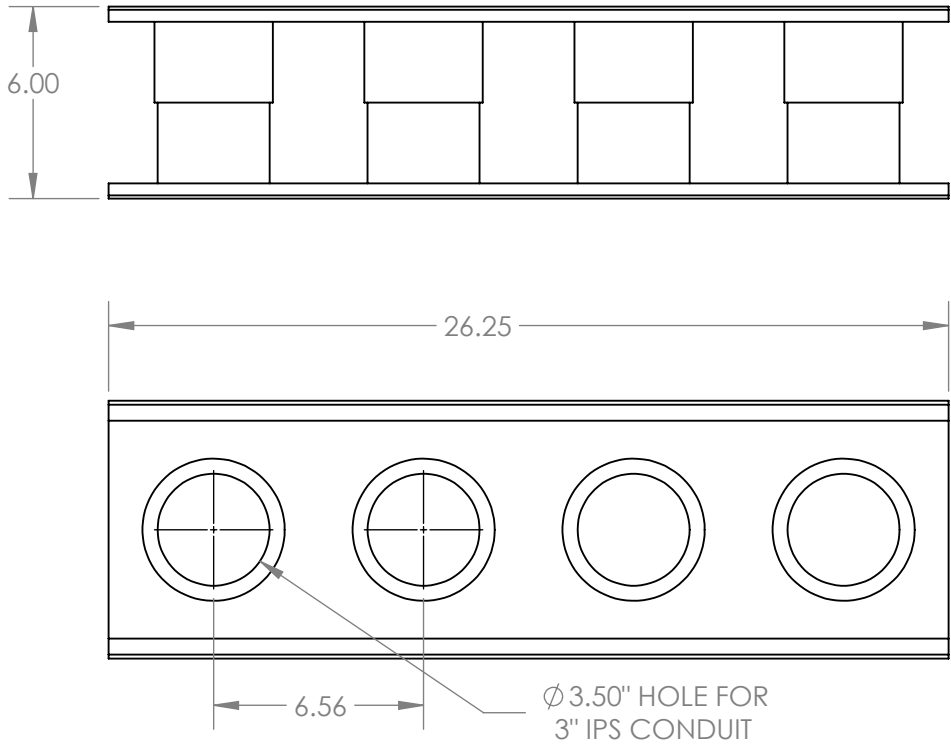
**Formex**<sup>®</sup>  
 manufacturing, inc.

TITLE:  
**TERMINATOR**

SIZE <b>A</b>	DWG. NO. FX-3753-A	REV <b>A</b>
------------------	-----------------------	-----------------

SCALE: 1:6 SHEET 118 OF 314

# T3A4-3030-6SW



**PROPRIETARY AND CONFIDENTIAL**  
 THE INFORMATION CONTAINED IN THIS DRAWING IS THE SOLE PROPERTY OF FORMEX MANUFACTURING. ANY REPRODUCTION IN PART OR AS A WHOLE WITHOUT THE WRITTEN PERMISSION OF FORMEX MANUFACTURING IS PROHIBITED.

UNLESS OTHERWISE SPECIFIED:		NAME	DATE
DIMENSIONS ARE IN INCHES	DRAWN	HKF	6/28/2024
TOLERANCES:	CHECKED		
FRACTIONAL $\pm 1/32"$	ENG APPR.		
ANGULAR: $\pm 2^\circ$	MFG APPR.		
TWO PLACE DECIMAL $\pm 0.03"$	Q.A.		
THREE PLACE DECIMAL $\pm 0.010"$	COMMENTS:		
INTERPRET GEOMETRIC TOLERANCING PER:			
MATERIAL			
ABS			
FINISH			
GRAY / SMOOTH			
DO NOT SCALE DRAWING			

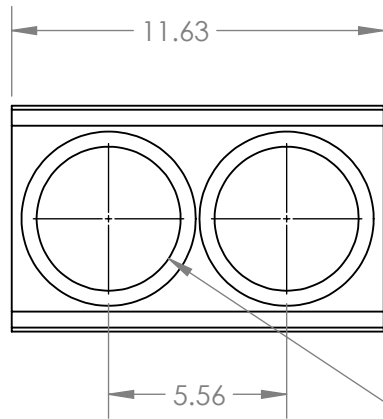
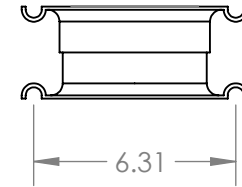
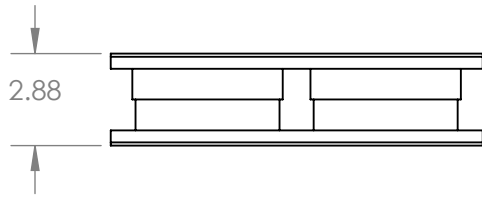
**Formex**<sup>®</sup>  
 manufacturing, inc.

TITLE:  
**TERMINATOR**

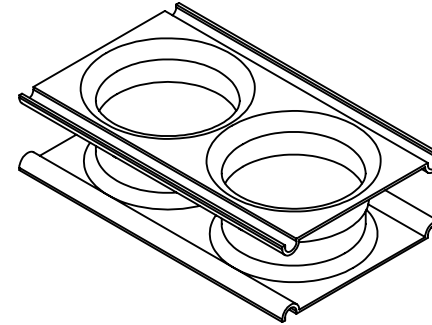
SIZE	DWG. NO.	REV
<b>A</b>	FX-3753-A	<b>A</b>

SCALE: 1:6 SHEET 119 OF 314

# T4A2-1010-2 7/8SW



Ø 4.50" HOLE FOR  
4" IPS CONDUIT



**PROPRIETARY AND CONFIDENTIAL**  
THE INFORMATION CONTAINED IN THIS DRAWING IS THE SOLE PROPERTY OF FORMEX MANUFACTURING. ANY REPRODUCTION IN PART OR AS A WHOLE WITHOUT THE WRITTEN PERMISSION OF FORMEX MANUFACTURING IS PROHIBITED.

UNLESS OTHERWISE SPECIFIED:		NAME	DATE
DIMENSIONS ARE IN INCHES	DRAWN	HKF	6/28/2024
TOLERANCES:	CHECKED		
FRACTIONAL ±1/32"	ENG APPR.		
ANGULAR: ±2°	MFG APPR.		
TWO PLACE DECIMAL ±0.03"	Q.A.		
THREE PLACE DECIMAL ±0.010"	COMMENTS:		
INTERPRET GEOMETRIC TOLERANCING PER:			
MATERIAL			
ABS			
FINISH			
GRAY / SMOOTH			
DO NOT SCALE DRAWING			

**Formex**<sup>®</sup>  
manufacturing, inc.

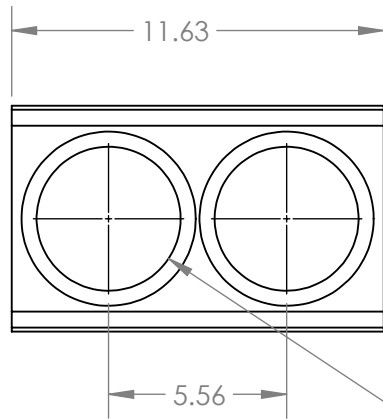
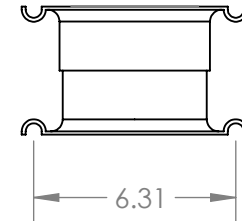
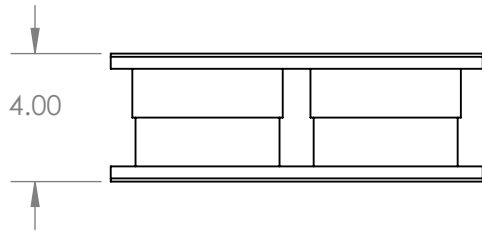
TITLE:  
**TERMINATOR**

SIZE <b>A</b>	DWG. NO. FX-3753-A	REV <b>A</b>
------------------	-----------------------	-----------------

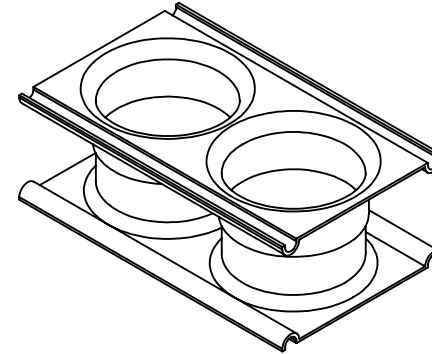
SCALE: 1:6 SHEET 120 OF 314



# T4A2-1010-4SW



Ø 4.50" HOLE FOR  
4" IPS CONDUIT



**PROPRIETARY AND CONFIDENTIAL**  
THE INFORMATION CONTAINED IN THIS DRAWING IS THE SOLE PROPERTY OF FORMEX MANUFACTURING. ANY REPRODUCTION IN PART OR AS A WHOLE WITHOUT THE WRITTEN PERMISSION OF FORMEX MANUFACTURING IS PROHIBITED.

UNLESS OTHERWISE SPECIFIED:	NAME	DATE
DIMENSIONS ARE IN INCHES	DRAWN	HKF 6/28/2024
TOLERANCES:	CHECKED	
FRACTIONAL ±1/32"	ENG APPR.	
ANGULAR: ±2°	MFG APPR.	
TWO PLACE DECIMAL ±0.03"	Q.A.	
THREE PLACE DECIMAL ±0.010"	COMMENTS:	
INTERPRET GEOMETRIC TOLERANCING PER:		
MATERIAL		
ABS		
FINISH		
GRAY / SMOOTH		
DO NOT SCALE DRAWING		

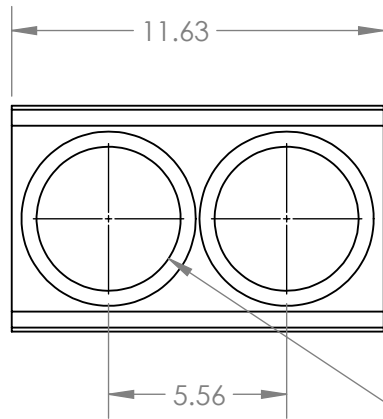
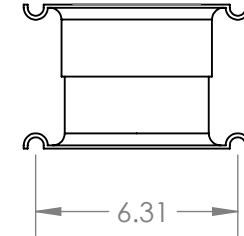
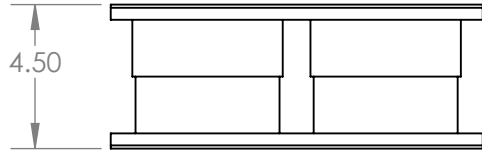
**Formex**<sup>®</sup>  
manufacturing, inc.

TITLE:  
**TERMINATOR**

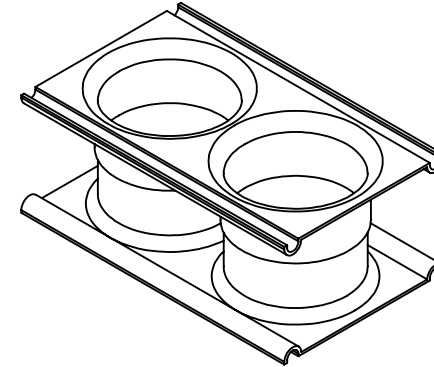
SIZE <b>A</b>	DWG. NO. FX-3753-A	REV <b>A</b>
------------------	-----------------------	-----------------

SCALE: 1:6 SHEET 121 OF 314

# T4A2-1010-4 1/2SW



Ø 4.50" HOLE FOR  
4" IPS CONDUIT



**PROPRIETARY AND CONFIDENTIAL**  
THE INFORMATION CONTAINED IN THIS DRAWING IS THE SOLE PROPERTY OF FORMEX MANUFACTURING. ANY REPRODUCTION IN PART OR AS A WHOLE WITHOUT THE WRITTEN PERMISSION OF FORMEX MANUFACTURING IS PROHIBITED.

UNLESS OTHERWISE SPECIFIED:		NAME	DATE
DIMENSIONS ARE IN INCHES	DRAWN	HKF	6/28/2024
TOLERANCES:	CHECKED		
FRACTIONAL ±1/32"	ENG APPR.		
ANGULAR: ±2°	MFG APPR.		
TWO PLACE DECIMAL ±0.03"	Q.A.		
THREE PLACE DECIMAL ±0.010"	COMMENTS:		
INTERPRET GEOMETRIC TOLERANCING PER:			
MATERIAL			
ABS			
FINISH			
GRAY / SMOOTH			
DO NOT SCALE DRAWING			

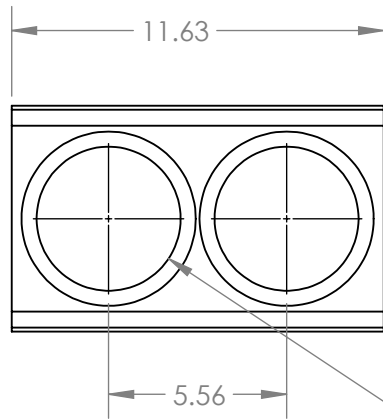
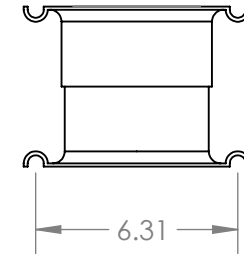
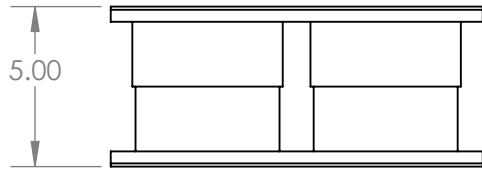
**Formex**<sup>®</sup>  
manufacturing, inc.

TITLE:  
**TERMINATOR**

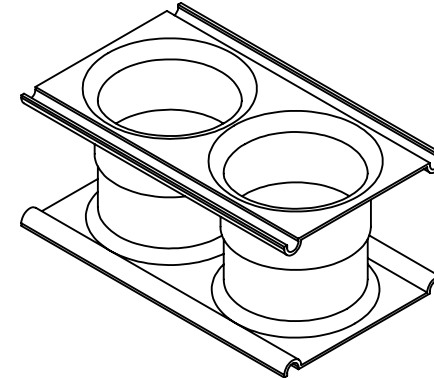
SIZE <b>A</b>	DWG. NO. FX-3753-A	REV <b>A</b>
------------------	-----------------------	-----------------

SCALE: 1:6 SHEET 122 OF 314

# T4A2-1010-5SW



Ø 4.50" HOLE FOR  
4" IPS CONDUIT



**PROPRIETARY AND CONFIDENTIAL**  
THE INFORMATION CONTAINED IN THIS DRAWING IS THE SOLE PROPERTY OF FORMEX MANUFACTURING. ANY REPRODUCTION IN PART OR AS A WHOLE WITHOUT THE WRITTEN PERMISSION OF FORMEX MANUFACTURING IS PROHIBITED.

UNLESS OTHERWISE SPECIFIED:	NAME	DATE
DIMENSIONS ARE IN INCHES	DRAWN	HKF 6/28/2024
TOLERANCES:	CHECKED	
FRACTIONAL ±1/32"	ENG APPR.	
ANGULAR: ±2°	MFG APPR.	
TWO PLACE DECIMAL ±0.03"	Q.A.	
THREE PLACE DECIMAL ±0.010"	COMMENTS:	
INTERPRET GEOMETRIC TOLERANCING PER:		
MATERIAL		
ABS		
FINISH		
GRAY / SMOOTH		
DO NOT SCALE DRAWING		

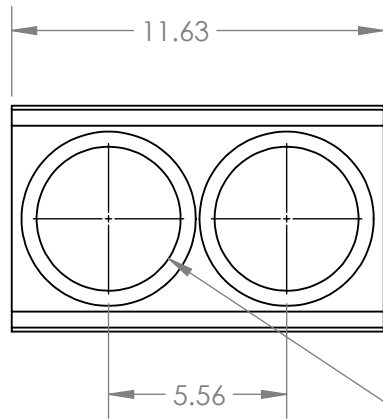
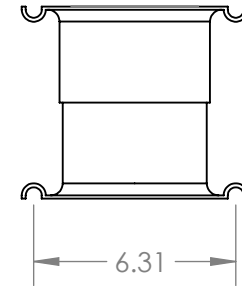
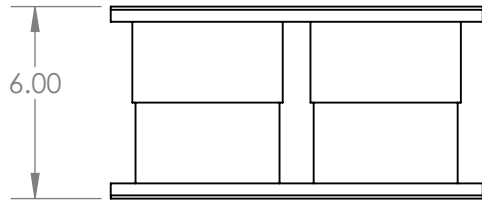
**Formex**<sup>®</sup>  
manufacturing, inc.

TITLE:  
**TERMINATOR**

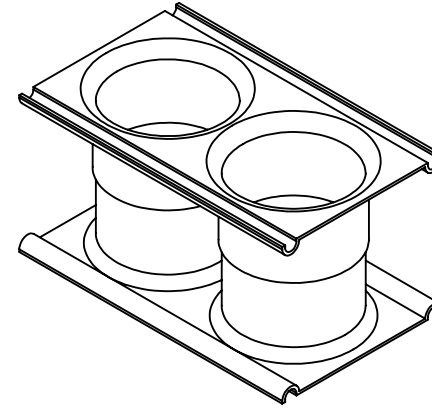
SIZE <b>A</b>	DWG. NO. FX-3753-A	REV <b>A</b>
------------------	-----------------------	-----------------

SCALE: 1:6 SHEET 123 OF 314

# T4A2-1010-6SW



Ø 4.50" HOLE FOR  
4" IPS CONDUIT



**PROPRIETARY AND CONFIDENTIAL**  
THE INFORMATION CONTAINED IN THIS DRAWING IS THE SOLE PROPERTY OF FORMEX MANUFACTURING. ANY REPRODUCTION IN PART OR AS A WHOLE WITHOUT THE WRITTEN PERMISSION OF FORMEX MANUFACTURING IS PROHIBITED.

UNLESS OTHERWISE SPECIFIED:	NAME	DATE
DIMENSIONS ARE IN INCHES	DRAWN	HKF 6/28/2024
TOLERANCES:	CHECKED	
FRACTIONAL ±1/32"	ENG APPR.	
ANGULAR: ±2°	MFG APPR.	
TWO PLACE DECIMAL ±0.03"	Q.A.	
THREE PLACE DECIMAL ±0.010"	COMMENTS:	
INTERPRET GEOMETRIC TOLERANCING PER:		
MATERIAL		
ABS		
FINISH		
GRAY / SMOOTH		
DO NOT SCALE DRAWING		

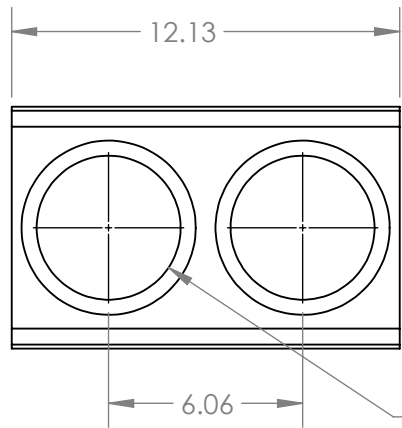
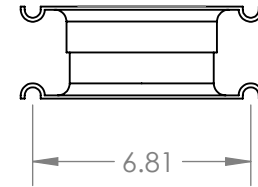
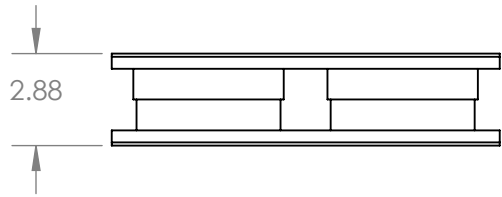
**Formex**<sup>®</sup>  
manufacturing, inc.

TITLE:  
**TERMINATOR**

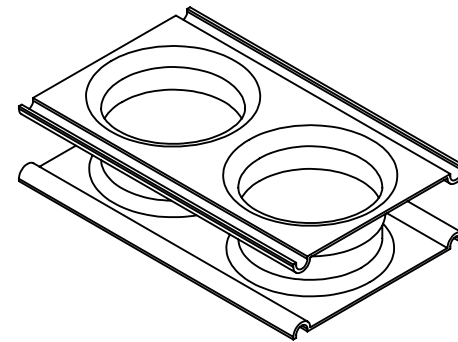
SIZE <b>A</b>	DWG. NO. FX-3753-A	REV <b>A</b>
------------------	-----------------------	-----------------

SCALE: 1:6 SHEET 124 OF 314

# T4A2-1515-2 7/8SW



Ø 4.50" HOLE FOR  
4" IPS CONDUIT



**PROPRIETARY AND CONFIDENTIAL**  
THE INFORMATION CONTAINED IN THIS DRAWING IS THE SOLE PROPERTY OF FORMEX MANUFACTURING. ANY REPRODUCTION IN PART OR AS A WHOLE WITHOUT THE WRITTEN PERMISSION OF FORMEX MANUFACTURING IS PROHIBITED.

UNLESS OTHERWISE SPECIFIED:		NAME	DATE
DIMENSIONS ARE IN INCHES TOLERANCES: FRACTIONAL $\pm 1/32"$ ANGULAR: $\pm 2^\circ$ TWO PLACE DECIMAL $\pm 0.03"$ THREE PLACE DECIMAL $\pm 0.010"$	DRAWN	HKF	6/28/2024
	CHECKED		
	ENG APPR.		
	MFG APPR.		
INTERPRET GEOMETRIC TOLERANCING PER:	Q.A.		
MATERIAL ABS	COMMENTS:		
FINISH GRAY / SMOOTH			
DO NOT SCALE DRAWING			

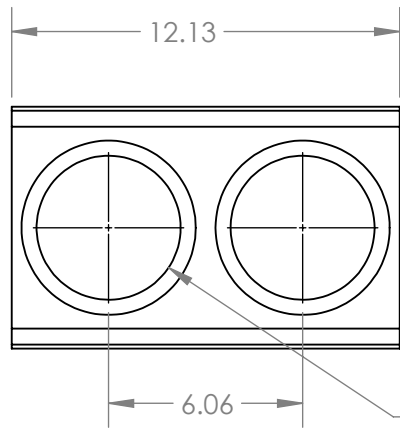
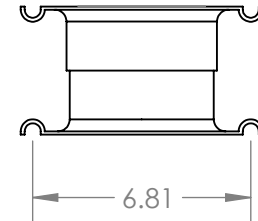
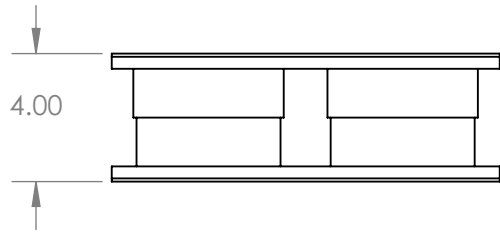
**Formex**<sup>®</sup>  
manufacturing, inc.

TITLE:  
**TERMINATOR**

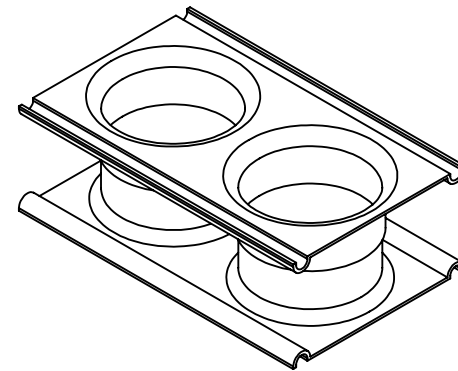
SIZE <b>A</b>	DWG. NO. FX-3753-A	REV <b>A</b>
------------------	-----------------------	-----------------

SCALE: 1:6 SHEET 125 OF 314

# T4A2-1515-4SW



Ø 4.50" HOLE FOR  
4" IPS CONDUIT



**PROPRIETARY AND CONFIDENTIAL**  
THE INFORMATION CONTAINED IN THIS DRAWING IS THE SOLE PROPERTY OF FORMEX MANUFACTURING. ANY REPRODUCTION IN PART OR AS A WHOLE WITHOUT THE WRITTEN PERMISSION OF FORMEX MANUFACTURING IS PROHIBITED.

UNLESS OTHERWISE SPECIFIED:		NAME	DATE
DIMENSIONS ARE IN INCHES TOLERANCES: FRACTIONAL $\pm 1/32"$ ANGULAR: $\pm 2^\circ$ TWO PLACE DECIMAL $\pm 0.03"$ THREE PLACE DECIMAL $\pm 0.010"$	DRAWN	HKF	6/28/2024
	CHECKED		
	ENG APPR.		
	MFG APPR.		
INTERPRET GEOMETRIC TOLERANCING PER:	Q.A.		
MATERIAL ABS	COMMENTS:		
FINISH GRAY / SMOOTH			
DO NOT SCALE DRAWING			

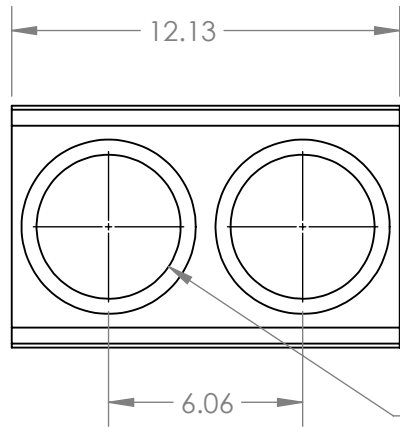
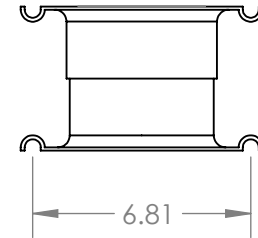
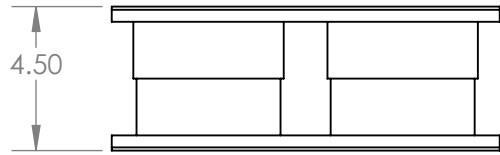
**Formex**<sup>®</sup>  
manufacturing, inc.

TITLE:  
**TERMINATOR**

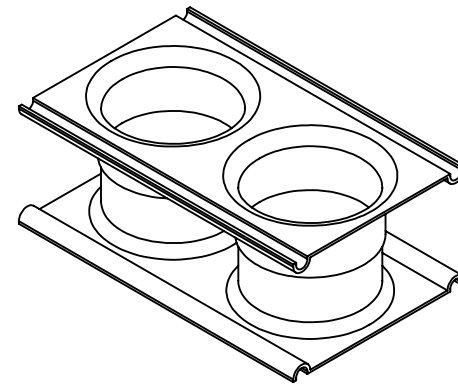
SIZE <b>A</b>	DWG. NO. FX-3753-A	REV <b>A</b>
------------------	-----------------------	-----------------

SCALE: 1:6 SHEET 126 OF 314

# T4A2-1515-4 1/2SW



Ø 4.50" HOLE FOR  
4" IPS CONDUIT



**PROPRIETARY AND CONFIDENTIAL**  
THE INFORMATION CONTAINED IN THIS DRAWING IS THE SOLE PROPERTY OF FORMEX MANUFACTURING. ANY REPRODUCTION IN PART OR AS A WHOLE WITHOUT THE WRITTEN PERMISSION OF FORMEX MANUFACTURING IS PROHIBITED.

UNLESS OTHERWISE SPECIFIED:		NAME	DATE
DIMENSIONS ARE IN INCHES TOLERANCES: FRACTIONAL ±1/32" ANGULAR: ±2° TWO PLACE DECIMAL ±0.03" THREE PLACE DECIMAL ±0.010"	DRAWN	HKF	6/28/2024
	CHECKED		
	ENG APPR.		
	MFG APPR.		
INTERPRET GEOMETRIC TOLERANCING PER:	Q.A.		
MATERIAL ABS	COMMENTS:		
FINISH GRAY / SMOOTH			
DO NOT SCALE DRAWING			

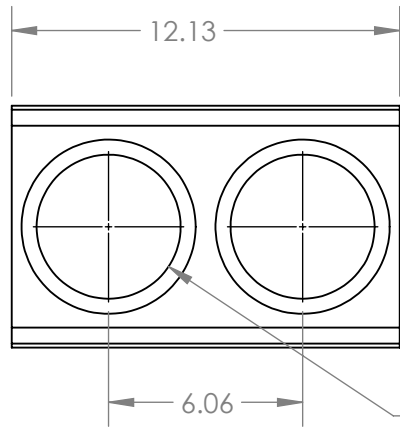
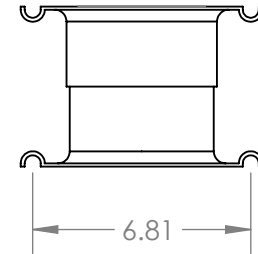
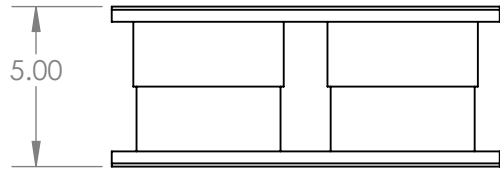
**Formex**<sup>®</sup>  
manufacturing, inc.

TITLE:  
**TERMINATOR**

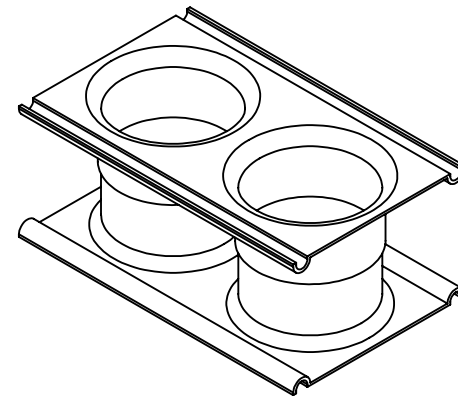
SIZE <b>A</b>	DWG. NO. FX-3753-A	REV <b>A</b>
------------------	-----------------------	-----------------

SCALE: 1:6 SHEET 127 OF 314

# T4A2-1515-5SW



Ø 4.50" HOLE FOR  
4" IPS CONDUIT



**PROPRIETARY AND CONFIDENTIAL**  
THE INFORMATION CONTAINED IN THIS DRAWING IS THE SOLE PROPERTY OF FORMEX MANUFACTURING. ANY REPRODUCTION IN PART OR AS A WHOLE WITHOUT THE WRITTEN PERMISSION OF FORMEX MANUFACTURING IS PROHIBITED.

UNLESS OTHERWISE SPECIFIED:	NAME	DATE
DIMENSIONS ARE IN INCHES	DRAWN	HKF 6/28/2024
TOLERANCES:	CHECKED	
FRACTIONAL ±1/32"	ENG APPR.	
ANGULAR: ±2°	MFG APPR.	
TWO PLACE DECIMAL ±0.03"	Q.A.	
THREE PLACE DECIMAL ±0.010"	COMMENTS:	
INTERPRET GEOMETRIC TOLERANCING PER:		
MATERIAL		
ABS		
FINISH		
GRAY / SMOOTH		
DO NOT SCALE DRAWING		

**Formex**<sup>®</sup>  
manufacturing, inc.

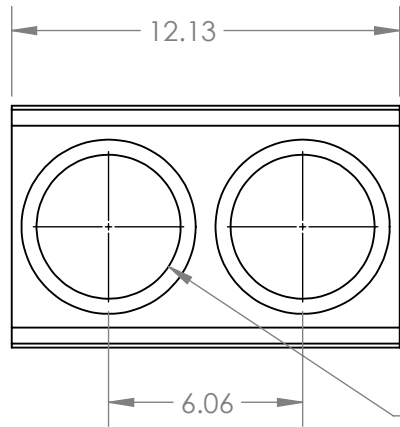
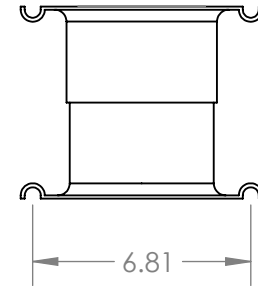
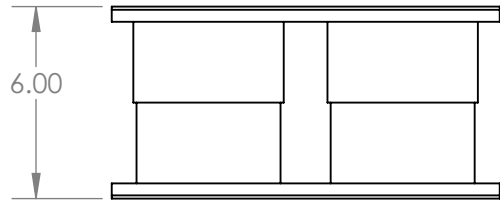
TITLE:  
**TERMINATOR**

SIZE <b>A</b>	DWG. NO. FX-3753-A	REV <b>A</b>
------------------	-----------------------	-----------------

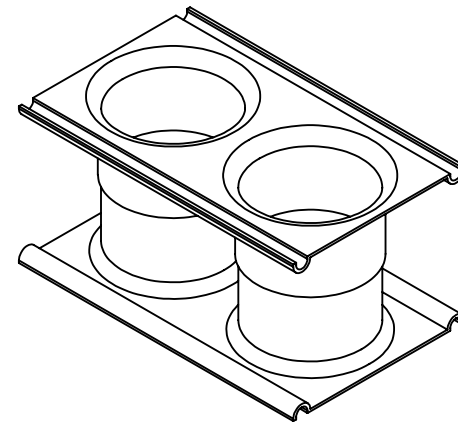
SCALE: 1:6 SHEET 128 OF 314



# T4A2-1515-6SW



Ø 4.50" HOLE FOR  
4" IPS CONDUIT



**PROPRIETARY AND CONFIDENTIAL**  
THE INFORMATION CONTAINED IN THIS DRAWING IS THE SOLE PROPERTY OF FORMEX MANUFACTURING. ANY REPRODUCTION IN PART OR AS A WHOLE WITHOUT THE WRITTEN PERMISSION OF FORMEX MANUFACTURING IS PROHIBITED.

UNLESS OTHERWISE SPECIFIED:		NAME	DATE
DIMENSIONS ARE IN INCHES TOLERANCES: FRACTIONAL ±1/32" ANGULAR: ±2° TWO PLACE DECIMAL ±0.03" THREE PLACE DECIMAL ±0.010"	DRAWN	HKF	6/28/2024
	CHECKED		
	ENG APPR.		
	MFG APPR.		
	Q.A.		
INTERPRET GEOMETRIC TOLERANCING PER:	COMMENTS:		
MATERIAL	ABS		
FINISH	GRAY / SMOOTH		
DO NOT SCALE DRAWING			

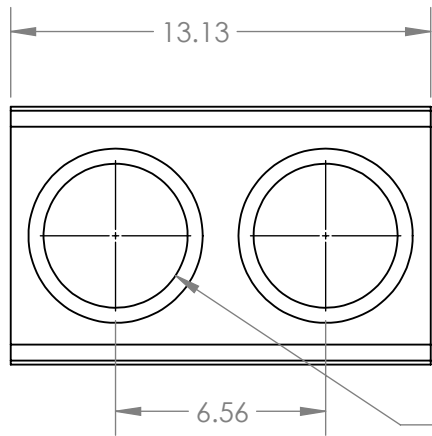
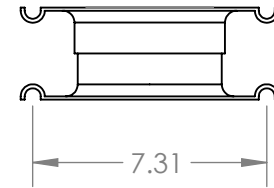
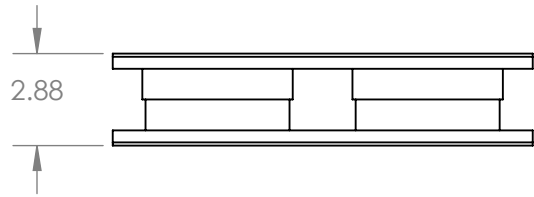
**Formex**<sup>®</sup>  
manufacturing, inc.

TITLE:  
**TERMINATOR**

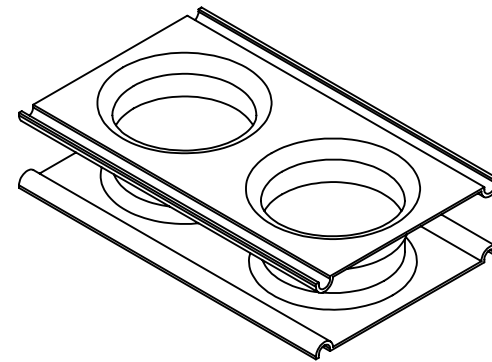
SIZE <b>A</b>	DWG. NO. FX-3753-A	REV <b>A</b>
------------------	-----------------------	-----------------

SCALE: 1:6 SHEET 129 OF 314

# T4A2-2020-2 7/8SW



Ø 4.50" HOLE FOR  
4" IPS CONDUIT



**PROPRIETARY AND CONFIDENTIAL**  
THE INFORMATION CONTAINED IN THIS DRAWING IS THE SOLE PROPERTY OF FORMEX MANUFACTURING. ANY REPRODUCTION IN PART OR AS A WHOLE WITHOUT THE WRITTEN PERMISSION OF FORMEX MANUFACTURING IS PROHIBITED.

UNLESS OTHERWISE SPECIFIED:		NAME	DATE
DIMENSIONS ARE IN INCHES	DRAWN	HKF	6/28/2024
TOLERANCES:	CHECKED		
FRACTIONAL ±1/32"	ENG APPR.		
ANGULAR: ±2°	MFG APPR.		
TWO PLACE DECIMAL ±0.03"	Q.A.		
THREE PLACE DECIMAL ±0.010"	COMMENTS:		
INTERPRET GEOMETRIC TOLERANCING PER:			
MATERIAL			
ABS			
FINISH			
GRAY / SMOOTH			
DO NOT SCALE DRAWING			

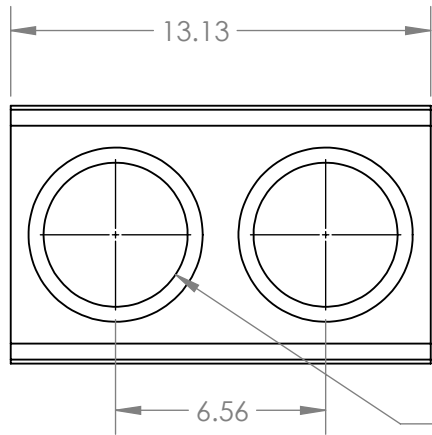
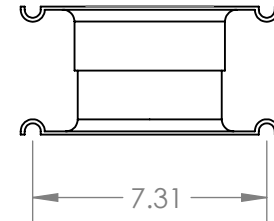
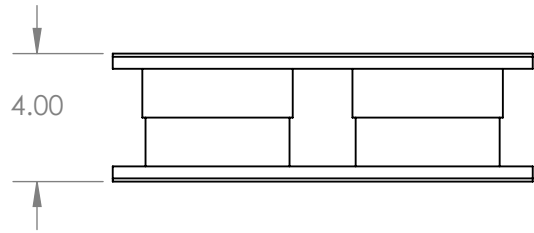
**Formex**<sup>®</sup>  
manufacturing, inc.

TITLE:  
**TERMINATOR**

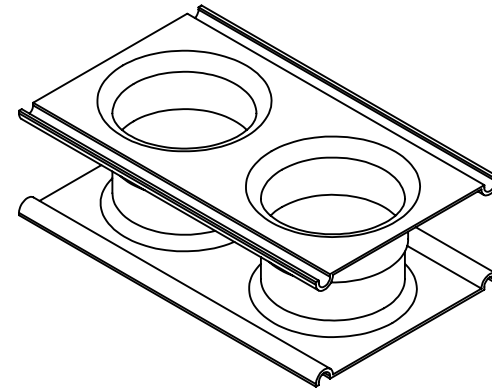
SIZE <b>A</b>	DWG. NO. FX-3753-A	REV <b>A</b>
------------------	-----------------------	-----------------

SCALE: 1:6 SHEET 130 OF 314

# T4A2-2020-4SW



Ø 4.50" HOLE FOR  
4" IPS CONDUIT



**PROPRIETARY AND CONFIDENTIAL**  
THE INFORMATION CONTAINED IN THIS DRAWING IS THE SOLE PROPERTY OF FORMEX MANUFACTURING. ANY REPRODUCTION IN PART OR AS A WHOLE WITHOUT THE WRITTEN PERMISSION OF FORMEX MANUFACTURING IS PROHIBITED.

UNLESS OTHERWISE SPECIFIED:		NAME	DATE
DIMENSIONS ARE IN INCHES TOLERANCES: FRACTIONAL $\pm 1/32"$ ANGULAR: $\pm 2^\circ$ TWO PLACE DECIMAL $\pm 0.03"$ THREE PLACE DECIMAL $\pm 0.010"$	DRAWN	HKF	6/28/2024
	CHECKED		
	ENG APPR.		
	MFG APPR.		
INTERPRET GEOMETRIC TOLERANCING PER:	Q.A.		
MATERIAL ABS	COMMENTS:		
FINISH GRAY / SMOOTH			
DO NOT SCALE DRAWING			

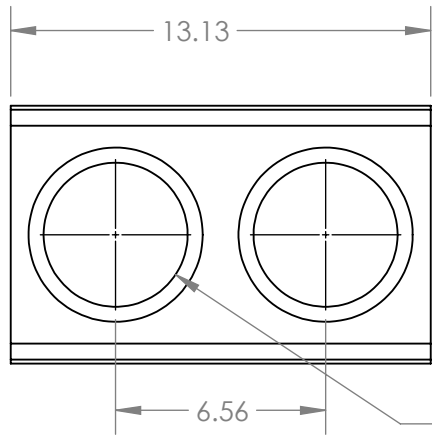
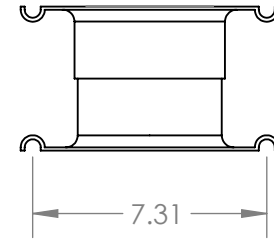
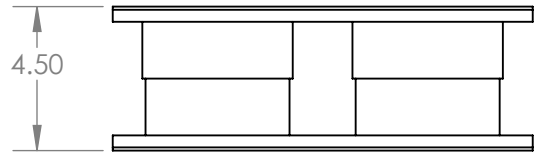
**Formex**<sup>®</sup>  
manufacturing, inc.

TITLE:  
**TERMINATOR**

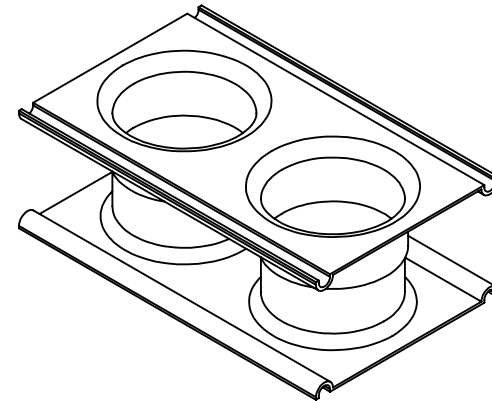
SIZE <b>A</b>	DWG. NO. FX-3753-A	REV <b>A</b>
------------------	-----------------------	-----------------

SCALE: 1:6 SHEET 131 OF 314

# T4A2-2020-4 1/2SW



Ø 4.50" HOLE FOR  
4" IPS CONDUIT



**PROPRIETARY AND CONFIDENTIAL**  
THE INFORMATION CONTAINED IN THIS DRAWING IS THE SOLE PROPERTY OF FORMEX MANUFACTURING. ANY REPRODUCTION IN PART OR AS A WHOLE WITHOUT THE WRITTEN PERMISSION OF FORMEX MANUFACTURING IS PROHIBITED.

UNLESS OTHERWISE SPECIFIED:	NAME	DATE
DIMENSIONS ARE IN INCHES	DRAWN	HKF 6/28/2024
TOLERANCES:	CHECKED	
FRACTIONAL ±1/32"	ENG APPR.	
ANGULAR: ±2°	MFG APPR.	
TWO PLACE DECIMAL ±0.03"	Q.A.	
THREE PLACE DECIMAL ±0.010"	COMMENTS:	
INTERPRET GEOMETRIC TOLERANCING PER:		
MATERIAL		
ABS		
FINISH		
GRAY / SMOOTH		
DO NOT SCALE DRAWING		

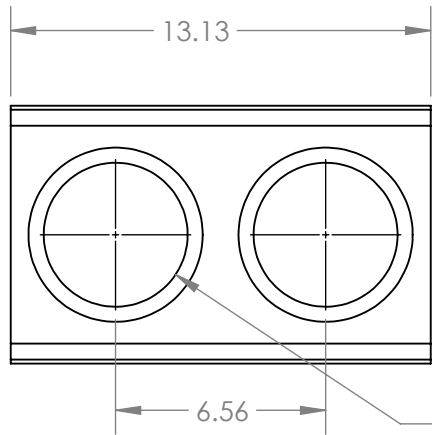
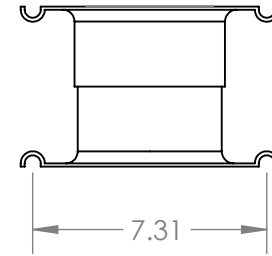
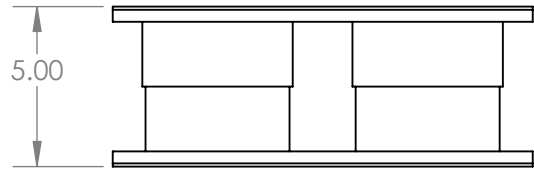
**Formex**<sup>®</sup>  
manufacturing, inc.

TITLE:  
**TERMINATOR**

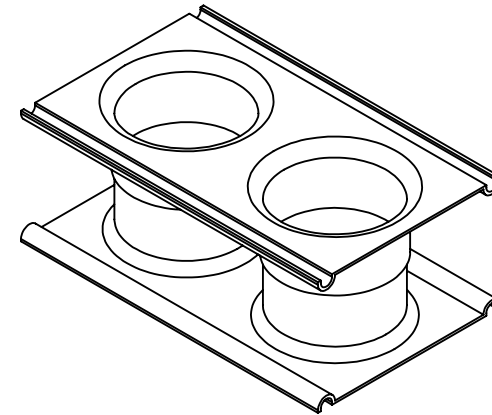
SIZE <b>A</b>	DWG. NO. FX-3753-A	REV <b>A</b>
------------------	-----------------------	-----------------

SCALE: 1:6 SHEET 132 OF 314

# T4A2-2020-5SW



Ø 4.50" HOLE FOR  
4" IPS CONDUIT



**PROPRIETARY AND CONFIDENTIAL**  
THE INFORMATION CONTAINED IN THIS DRAWING IS THE SOLE PROPERTY OF FORMEX MANUFACTURING. ANY REPRODUCTION IN PART OR AS A WHOLE WITHOUT THE WRITTEN PERMISSION OF FORMEX MANUFACTURING IS PROHIBITED.

UNLESS OTHERWISE SPECIFIED:		NAME	DATE
DIMENSIONS ARE IN INCHES TOLERANCES: FRACTIONAL $\pm 1/32"$ ANGULAR: $\pm 2^\circ$ TWO PLACE DECIMAL $\pm 0.03"$ THREE PLACE DECIMAL $\pm 0.010"$	DRAWN	HKF	6/28/2024
	CHECKED		
	ENG APPR.		
	MFG APPR.		
INTERPRET GEOMETRIC TOLERANCING PER:	Q.A.		
MATERIAL ABS	COMMENTS:		
FINISH GRAY / SMOOTH			
DO NOT SCALE DRAWING			

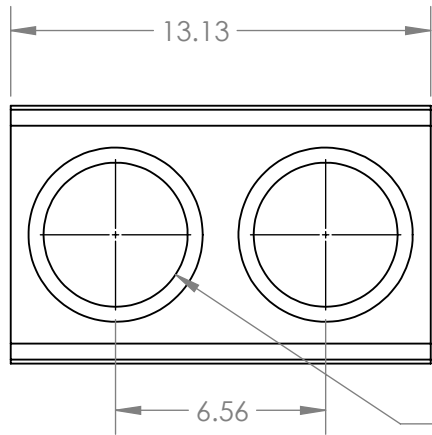
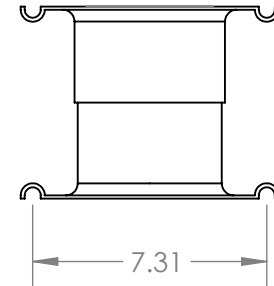
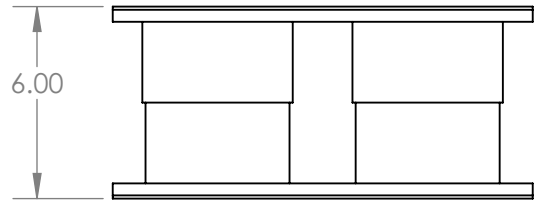
**Formex**<sup>®</sup>  
manufacturing, inc.

TITLE:  
**TERMINATOR**

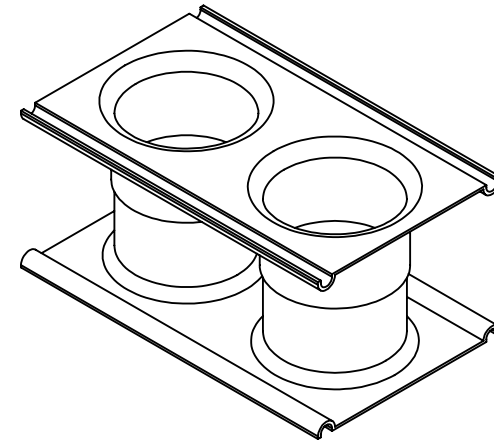
SIZE <b>A</b>	DWG. NO. FX-3753-A	REV <b>A</b>
------------------	-----------------------	-----------------

SCALE: 1:6 SHEET 133 OF 314

# T4A2-2020-6SW



Ø 4.50" HOLE FOR  
4" IPS CONDUIT



**PROPRIETARY AND CONFIDENTIAL**  
THE INFORMATION CONTAINED IN THIS DRAWING IS THE SOLE PROPERTY OF FORMEX MANUFACTURING. ANY REPRODUCTION IN PART OR AS A WHOLE WITHOUT THE WRITTEN PERMISSION OF FORMEX MANUFACTURING IS PROHIBITED.

UNLESS OTHERWISE SPECIFIED:		NAME	DATE
DIMENSIONS ARE IN INCHES TOLERANCES: FRACTIONAL ±1/32" ANGULAR: ±2° TWO PLACE DECIMAL ±0.03" THREE PLACE DECIMAL ±0.010"	DRAWN	HKF	6/28/2024
	CHECKED		
	ENG APPR.		
	MFG APPR.		
	Q.A.		
INTERPRET GEOMETRIC TOLERANCING PER:	COMMENTS:		
MATERIAL	ABS		
FINISH	GRAY / SMOOTH		
DO NOT SCALE DRAWING			

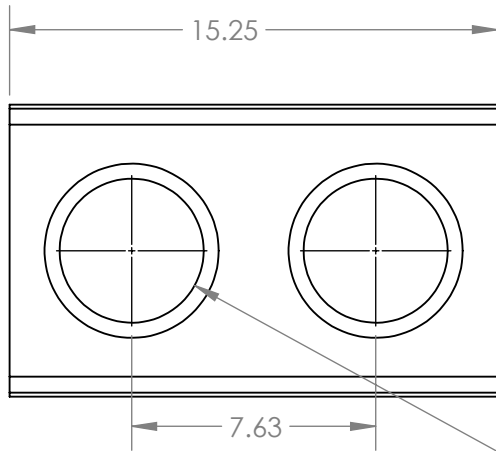
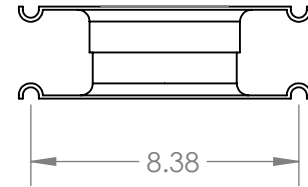
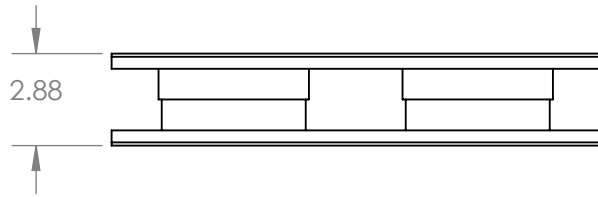
**Formex**<sup>®</sup>  
manufacturing, inc.

TITLE:  
**TERMINATOR**

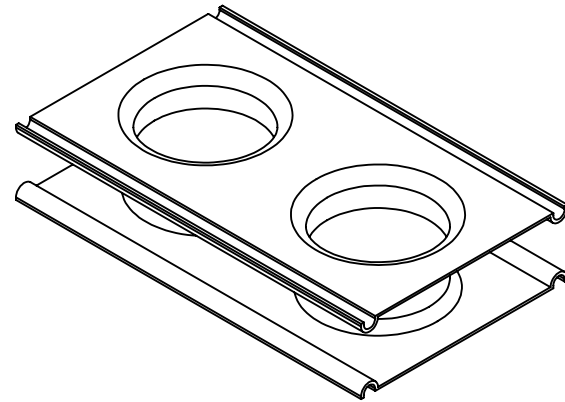
SIZE <b>A</b>	DWG. NO. FX-3753-A	REV <b>A</b>
------------------	-----------------------	-----------------

SCALE: 1:6 SHEET 134 OF 314

# T4A2-3030-2 7/8SW



Ø 4.50" HOLE FOR  
4" IPS CONDUIT



**PROPRIETARY AND CONFIDENTIAL**  
THE INFORMATION CONTAINED IN THIS DRAWING IS THE SOLE PROPERTY OF FORMEX MANUFACTURING. ANY REPRODUCTION IN PART OR AS A WHOLE WITHOUT THE WRITTEN PERMISSION OF FORMEX MANUFACTURING IS PROHIBITED.

UNLESS OTHERWISE SPECIFIED:		NAME	DATE
DIMENSIONS ARE IN INCHES TOLERANCES: FRACTIONAL ±1/32" ANGULAR: ±2° TWO PLACE DECIMAL ±0.03" THREE PLACE DECIMAL ±0.010"	DRAWN	HKF	6/28/2024
	CHECKED		
	ENG APPR.		
	MFG APPR.		
INTERPRET GEOMETRIC TOLERANCING PER:	Q.A.		
MATERIAL ABS	COMMENTS:		
FINISH GRAY / SMOOTH			
DO NOT SCALE DRAWING			

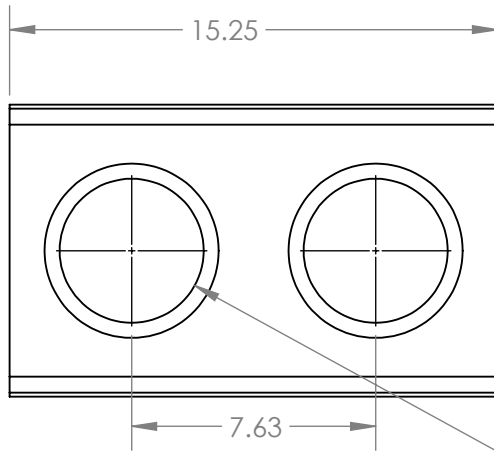
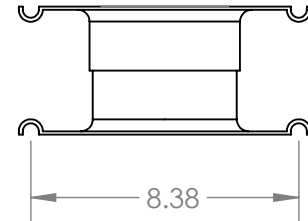
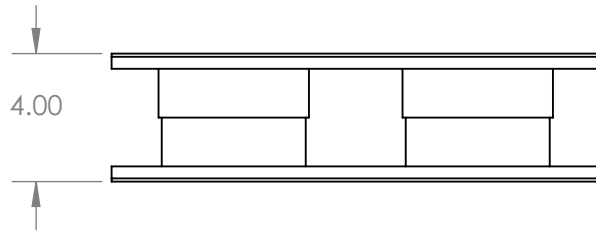
**Formex**<sup>®</sup>  
manufacturing, inc.

TITLE:  
**TERMINATOR**

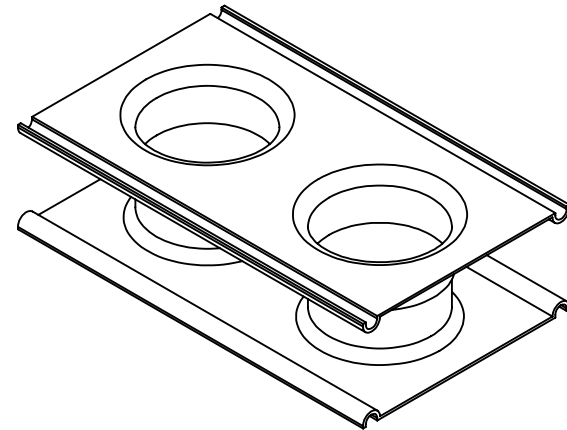
SIZE <b>A</b>	DWG. NO. FX-3753-A	REV <b>A</b>
------------------	-----------------------	-----------------

SCALE: 1:6 SHEET 135 OF 314

# T4A2-3030-4SW



Ø 4.50" HOLE FOR  
4" IPS CONDUIT



**PROPRIETARY AND CONFIDENTIAL**  
THE INFORMATION CONTAINED IN THIS DRAWING IS THE SOLE PROPERTY OF FORMEX MANUFACTURING. ANY REPRODUCTION IN PART OR AS A WHOLE WITHOUT THE WRITTEN PERMISSION OF FORMEX MANUFACTURING IS PROHIBITED.

UNLESS OTHERWISE SPECIFIED:		NAME	DATE
DIMENSIONS ARE IN INCHES TOLERANCES: FRACTIONAL $\pm 1/32"$ ANGULAR: $\pm 2^\circ$ TWO PLACE DECIMAL $\pm 0.03"$ THREE PLACE DECIMAL $\pm 0.010"$	DRAWN	HKF	6/28/2024
	CHECKED		
	ENG APPR.		
	MFG APPR.		
INTERPRET GEOMETRIC TOLERANCING PER:	Q.A.		
MATERIAL ABS	COMMENTS:		
FINISH GRAY / SMOOTH			
DO NOT SCALE DRAWING			

**Formex**<sup>®</sup>  
manufacturing, inc.

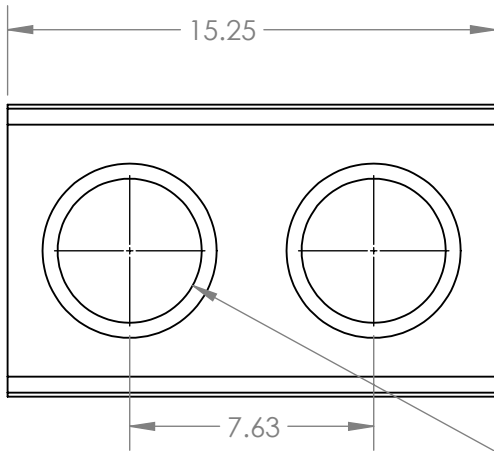
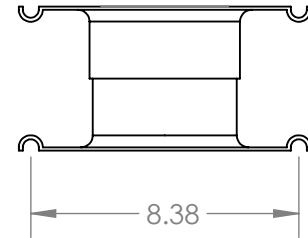
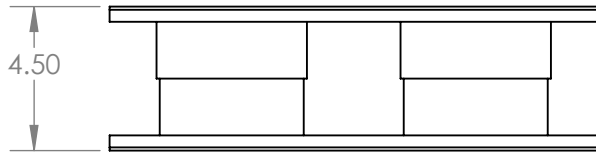
TITLE:  
**TERMINATOR**

SIZE <b>A</b>	DWG. NO. FX-3753-A	REV <b>A</b>
------------------	-----------------------	-----------------

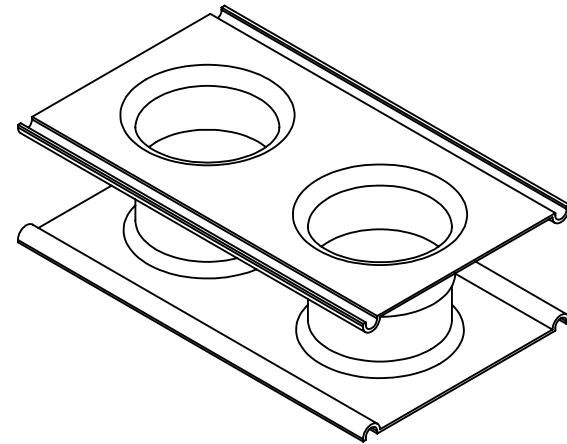
SCALE: 1:6 SHEET 136 OF 314



# T4A2-3030-4 1/2SW



Ø 4.50" HOLE FOR  
4" IPS CONDUIT



**PROPRIETARY AND CONFIDENTIAL**  
THE INFORMATION CONTAINED IN THIS DRAWING IS THE SOLE PROPERTY OF FORMEX MANUFACTURING. ANY REPRODUCTION IN PART OR AS A WHOLE WITHOUT THE WRITTEN PERMISSION OF FORMEX MANUFACTURING IS PROHIBITED.

UNLESS OTHERWISE SPECIFIED:		NAME	DATE
DIMENSIONS ARE IN INCHES TOLERANCES: FRACTIONAL ±1/32" ANGULAR: ±2° TWO PLACE DECIMAL ±0.03" THREE PLACE DECIMAL ±0.010"	DRAWN	HKF	6/28/2024
	CHECKED		
	ENG APPR.		
	MFG APPR.		
INTERPRET GEOMETRIC TOLERANCING PER:	Q.A.		
MATERIAL ABS	COMMENTS:		
FINISH GRAY / SMOOTH			
DO NOT SCALE DRAWING			

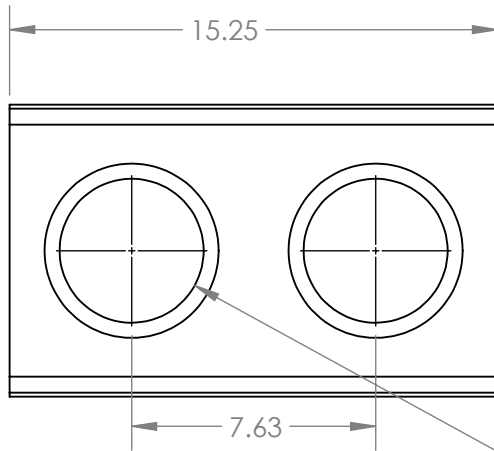
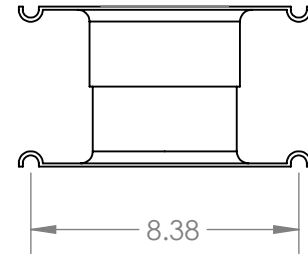
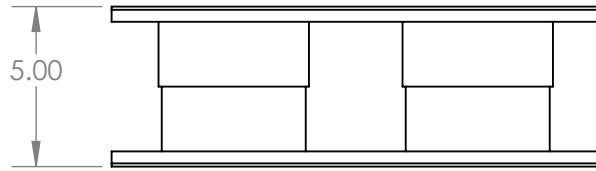
**Formex**<sup>®</sup>  
manufacturing, inc.

TITLE:  
**TERMINATOR**

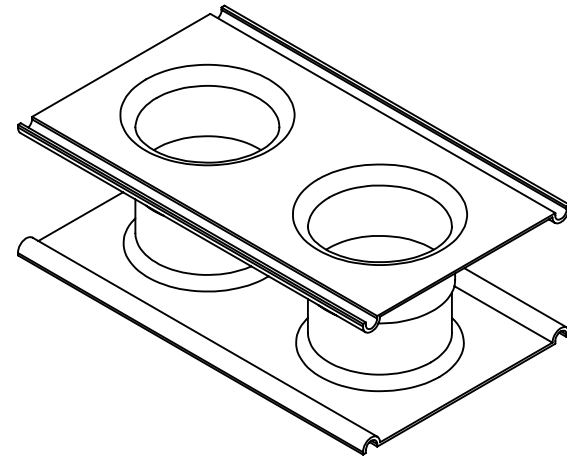
SIZE <b>A</b>	DWG. NO. FX-3753-A	REV <b>A</b>
------------------	-----------------------	-----------------

SCALE: 1:6 SHEET 137 OF 314

# T4A2-3030-5SW



Ø 4.50" HOLE FOR  
4" IPS CONDUIT



**PROPRIETARY AND CONFIDENTIAL**  
THE INFORMATION CONTAINED IN THIS DRAWING IS THE SOLE PROPERTY OF FORMEX MANUFACTURING. ANY REPRODUCTION IN PART OR AS A WHOLE WITHOUT THE WRITTEN PERMISSION OF FORMEX MANUFACTURING IS PROHIBITED.

UNLESS OTHERWISE SPECIFIED:		NAME	DATE
DIMENSIONS ARE IN INCHES TOLERANCES: FRACTIONAL $\pm 1/32"$ ANGULAR: $\pm 2^\circ$ TWO PLACE DECIMAL $\pm 0.03"$ THREE PLACE DECIMAL $\pm 0.010"$	DRAWN	HKF	6/28/2024
	CHECKED		
	ENG APPR.		
	MFG APPR.		
INTERPRET GEOMETRIC TOLERANCING PER:	Q.A.		
MATERIAL ABS	COMMENTS:		
FINISH GRAY / SMOOTH			
DO NOT SCALE DRAWING			

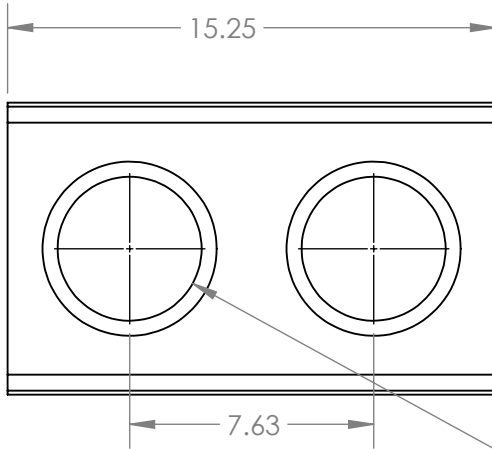
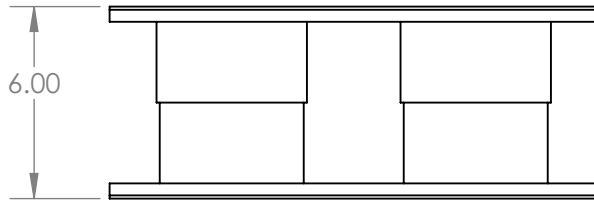
**Formex**<sup>®</sup>  
manufacturing, inc.

TITLE:  
**TERMINATOR**

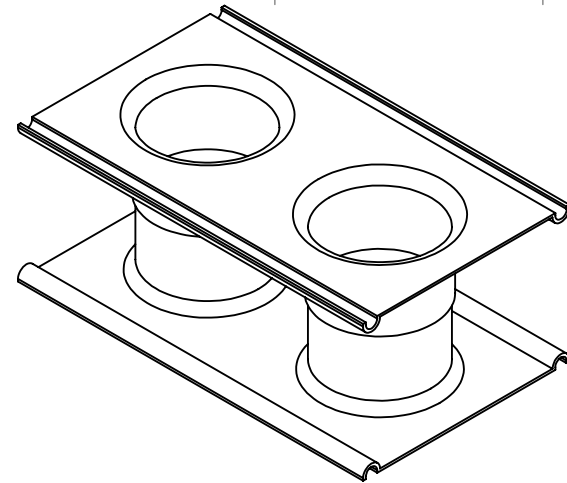
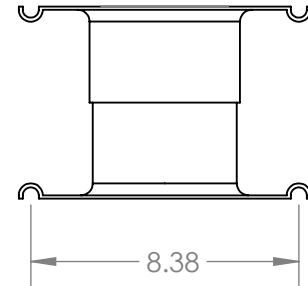
SIZE <b>A</b>	DWG. NO. FX-3753-A	REV <b>A</b>
------------------	-----------------------	-----------------

SCALE: 1:6 SHEET 138 OF 314

# T4A2-3030-6SW



Ø 4.50" HOLE FOR  
4" IPS CONDUIT



**PROPRIETARY AND CONFIDENTIAL**  
THE INFORMATION CONTAINED IN THIS DRAWING IS THE SOLE PROPERTY OF FORMEX MANUFACTURING. ANY REPRODUCTION IN PART OR AS A WHOLE WITHOUT THE WRITTEN PERMISSION OF FORMEX MANUFACTURING IS PROHIBITED.

UNLESS OTHERWISE SPECIFIED:		NAME	DATE
DIMENSIONS ARE IN INCHES TOLERANCES: FRACTIONAL ±1/32" ANGULAR: ±2° TWO PLACE DECIMAL ±0.03" THREE PLACE DECIMAL ±0.010"	DRAWN	HKF	6/28/2024
	CHECKED		
	ENG APPR.		
	MFG APPR.		
INTERPRET GEOMETRIC TOLERANCING PER:	Q.A.		
MATERIAL ABS	COMMENTS:		
FINISH GRAY / SMOOTH			
DO NOT SCALE DRAWING			

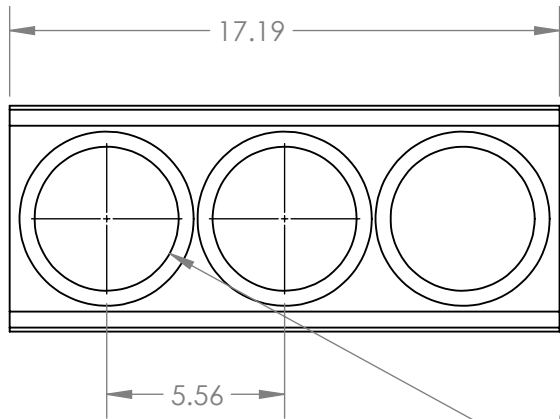
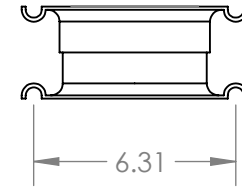
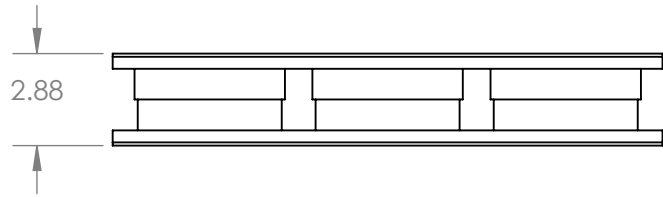
**Formex**<sup>®</sup>  
manufacturing, inc.

TITLE:  
**TERMINATOR**

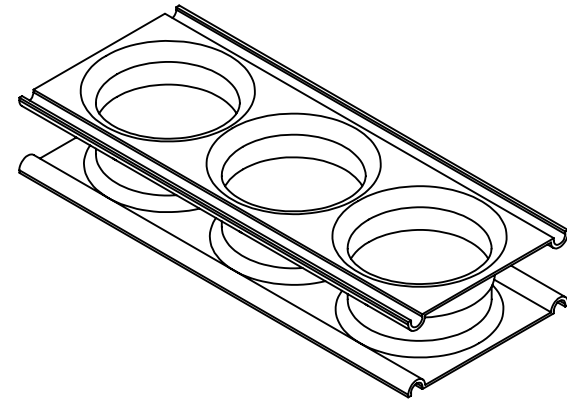
SIZE <b>A</b>	DWG. NO. FX-3753-A	REV <b>A</b>
------------------	-----------------------	-----------------

SCALE: 1:6 SHEET 139 OF 314

# T4A3-1010-2 7/8SW



Ø 4.50" HOLE FOR  
4" IPS CONDUIT



**PROPRIETARY AND CONFIDENTIAL**  
THE INFORMATION CONTAINED IN THIS DRAWING IS THE SOLE PROPERTY OF FORMEX MANUFACTURING. ANY REPRODUCTION IN PART OR AS A WHOLE WITHOUT THE WRITTEN PERMISSION OF FORMEX MANUFACTURING IS PROHIBITED.

UNLESS OTHERWISE SPECIFIED:		NAME	DATE
DIMENSIONS ARE IN INCHES TOLERANCES: FRACTIONAL $\pm 1/32"$ ANGULAR: $\pm 2^\circ$ TWO PLACE DECIMAL $\pm 0.03"$ THREE PLACE DECIMAL $\pm 0.010"$	DRAWN	HKF	6/28/2024
	CHECKED		
	ENG APPR.		
	MFG APPR.		
INTERPRET GEOMETRIC TOLERANCING PER:	Q.A.		
MATERIAL ABS	COMMENTS:		
FINISH GRAY / SMOOTH			
DO NOT SCALE DRAWING			

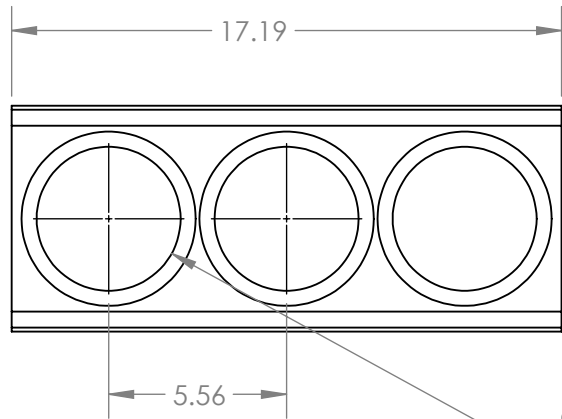
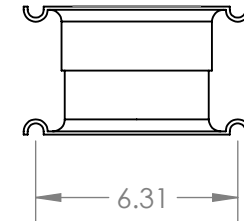
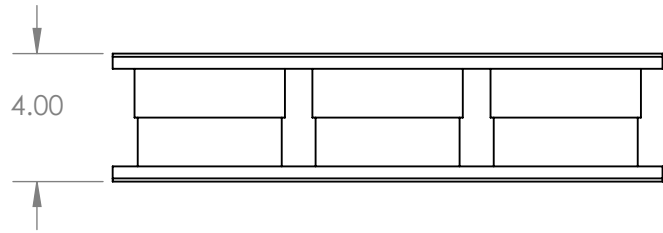
**Formex**<sup>®</sup>  
manufacturing, inc.

TITLE:  
**TERMINATOR**

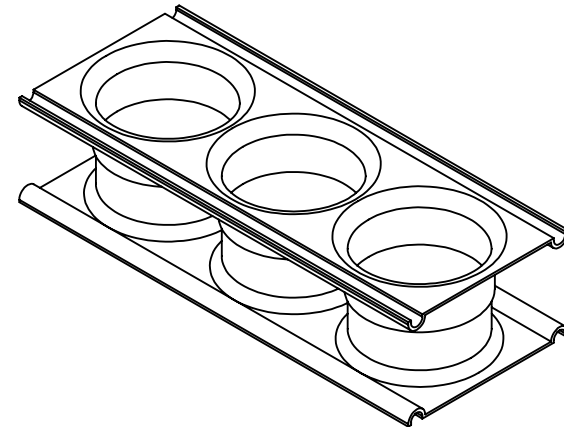
SIZE <b>A</b>	DWG. NO. FX-3753-A	REV <b>A</b>
------------------	-----------------------	-----------------

SCALE: 1:6 SHEET 140 OF 314

# T4A3-1010-4SW



Ø 4.50" HOLE FOR  
4" IPS CONDUIT



**PROPRIETARY AND CONFIDENTIAL**  
THE INFORMATION CONTAINED IN THIS DRAWING IS THE SOLE PROPERTY OF FORMEX MANUFACTURING. ANY REPRODUCTION IN PART OR AS A WHOLE WITHOUT THE WRITTEN PERMISSION OF FORMEX MANUFACTURING IS PROHIBITED.

UNLESS OTHERWISE SPECIFIED:		NAME	DATE
DIMENSIONS ARE IN INCHES TOLERANCES: FRACTIONAL ±1/32" ANGULAR: ±2° TWO PLACE DECIMAL ±0.03" THREE PLACE DECIMAL ±0.010"	DRAWN	HKF	6/28/2024
	CHECKED		
	ENG APPR.		
	MFG APPR.		
INTERPRET GEOMETRIC TOLERANCING PER:	Q.A.		
MATERIAL ABS	COMMENTS:		
FINISH GRAY / SMOOTH			
DO NOT SCALE DRAWING			

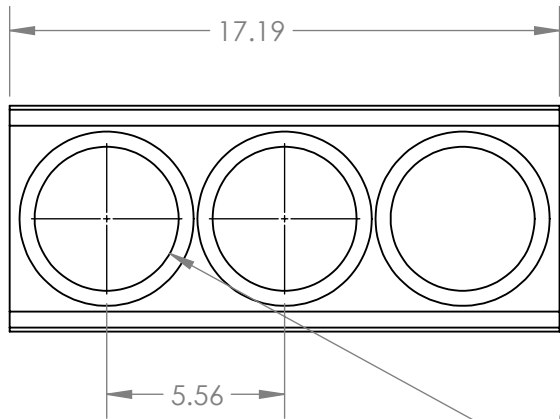
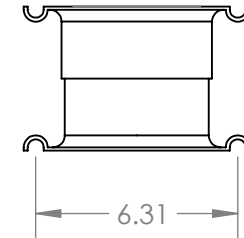
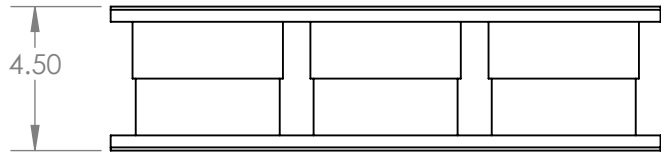
**Formex**<sup>®</sup>  
manufacturing, inc.

TITLE:  
**TERMINATOR**

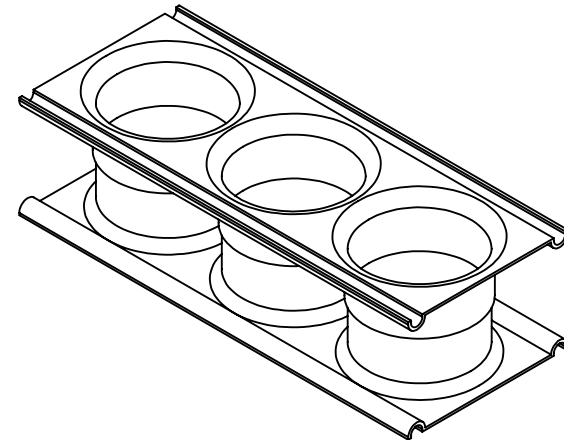
SIZE <b>A</b>	DWG. NO. FX-3753-A	REV <b>A</b>
------------------	-----------------------	-----------------

SCALE: 1:6 SHEET 141 OF 314

# T4A3-1010-4 1/2SW



Ø 4.50" HOLE FOR  
4" IPS CONDUIT



**PROPRIETARY AND CONFIDENTIAL**  
THE INFORMATION CONTAINED IN THIS DRAWING IS THE SOLE PROPERTY OF FORMEX MANUFACTURING. ANY REPRODUCTION IN PART OR AS A WHOLE WITHOUT THE WRITTEN PERMISSION OF FORMEX MANUFACTURING IS PROHIBITED.

UNLESS OTHERWISE SPECIFIED:		NAME	DATE
DIMENSIONS ARE IN INCHES TOLERANCES: FRACTIONAL ±1/32" ANGULAR: ±2° TWO PLACE DECIMAL ±0.03" THREE PLACE DECIMAL ±0.010"	DRAWN	HKF	6/28/2024
	CHECKED		
	ENG APPR.		
	MFG APPR.		
INTERPRET GEOMETRIC TOLERANCING PER:	Q.A.		
MATERIAL ABS	COMMENTS:		
FINISH GRAY / SMOOTH			
DO NOT SCALE DRAWING			

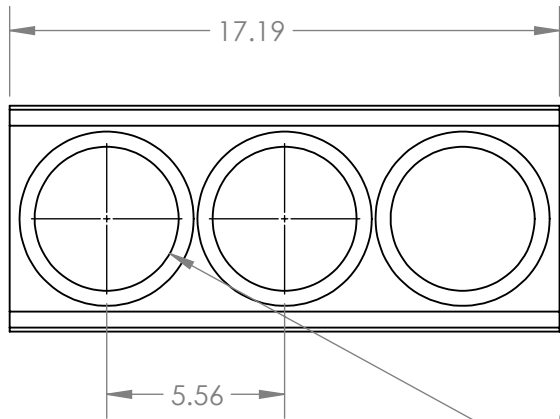
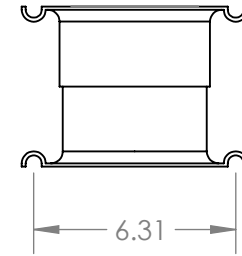
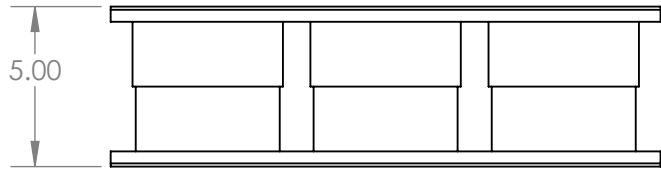
**Formex**<sup>®</sup>  
manufacturing, inc.

TITLE:  
**TERMINATOR**

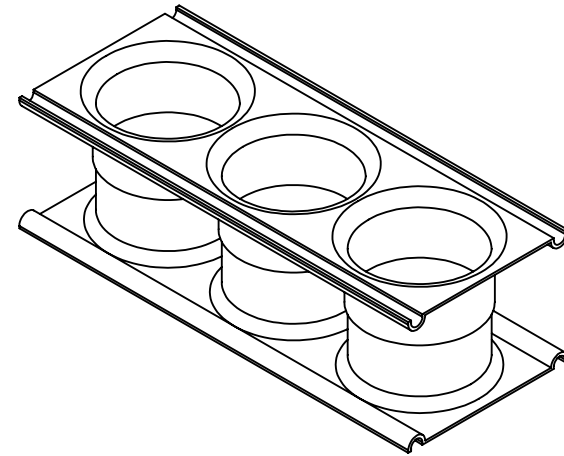
SIZE <b>A</b>	DWG. NO. FX-3753-A	REV <b>A</b>
------------------	-----------------------	-----------------

SCALE: 1:6 SHEET 142 OF 314

# T4A3-1010-5SW



Ø 4.50" HOLE FOR  
4" IPS CONDUIT



**PROPRIETARY AND CONFIDENTIAL**  
THE INFORMATION CONTAINED IN THIS DRAWING IS THE SOLE PROPERTY OF FORMEX MANUFACTURING. ANY REPRODUCTION IN PART OR AS A WHOLE WITHOUT THE WRITTEN PERMISSION OF FORMEX MANUFACTURING IS PROHIBITED.

UNLESS OTHERWISE SPECIFIED:		NAME	DATE
DIMENSIONS ARE IN INCHES TOLERANCES: FRACTIONAL $\pm 1/32"$ ANGULAR: $\pm 2^\circ$ TWO PLACE DECIMAL $\pm 0.03"$ THREE PLACE DECIMAL $\pm 0.010"$	DRAWN	HKF	6/28/2024
	CHECKED		
	ENG APPR.		
	MFG APPR.		
INTERPRET GEOMETRIC TOLERANCING PER:	Q.A.		
MATERIAL ABS	COMMENTS:		
FINISH GRAY / SMOOTH			
DO NOT SCALE DRAWING			

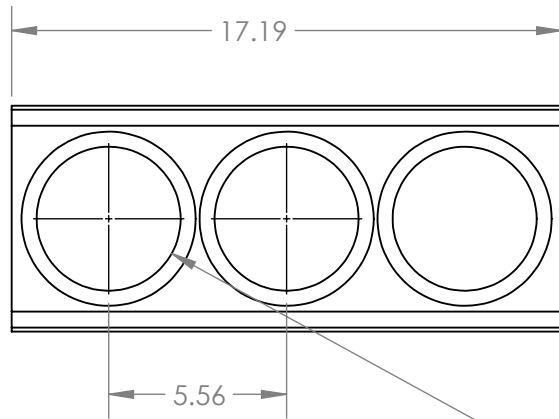
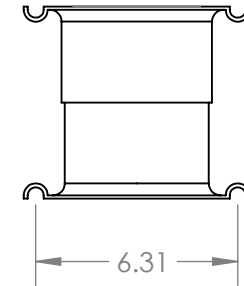
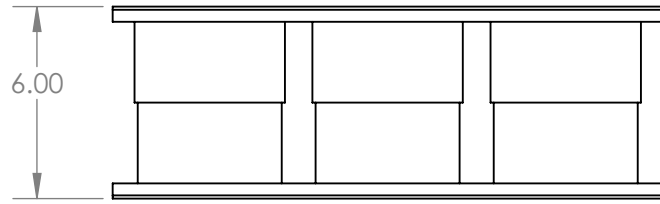
**Formex**<sup>®</sup>  
manufacturing, inc.

TITLE:  
**TERMINATOR**

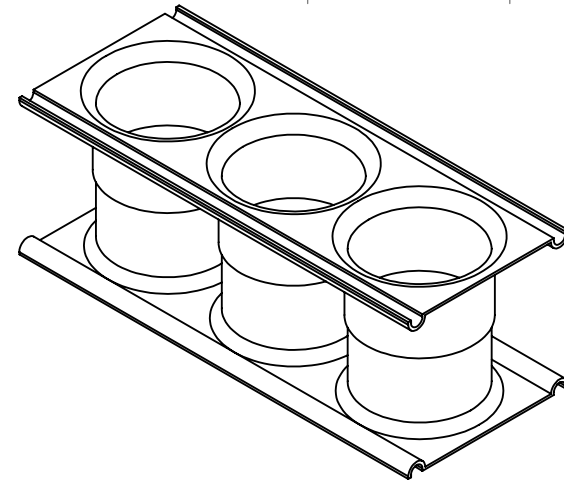
SIZE <b>A</b>	DWG. NO. FX-3753-A	REV <b>A</b>
------------------	-----------------------	-----------------

SCALE: 1:6 SHEET 143 OF 314

# T4A3-1010-6SW



Ø 4.50" HOLE FOR  
4" IPS CONDUIT



**PROPRIETARY AND CONFIDENTIAL**  
THE INFORMATION CONTAINED IN THIS DRAWING IS THE SOLE PROPERTY OF FORMEX MANUFACTURING. ANY REPRODUCTION IN PART OR AS A WHOLE WITHOUT THE WRITTEN PERMISSION OF FORMEX MANUFACTURING IS PROHIBITED.

UNLESS OTHERWISE SPECIFIED:

DIMENSIONS ARE IN INCHES  
TOLERANCES:  
FRACTIONAL  $\pm 1/32"$   
ANGULAR:  $\pm 2^\circ$   
TWO PLACE DECIMAL  $\pm 0.03"$   
THREE PLACE DECIMAL  $\pm 0.010"$

INTERPRET GEOMETRIC  
TOLERANCING PER:

MATERIAL  
ABS

FINISH  
GRAY / SMOOTH

DO NOT SCALE DRAWING

	NAME	DATE
DRAWN	HKF	6/28/2024
CHECKED		
ENG APPR.		
MFG APPR.		
Q.A.		

COMMENTS:

**Formex**<sup>®</sup>  
manufacturing, inc.

TITLE:

**TERMINATOR**

SIZE  
**A**

DWG. NO.  
FX-3753-A

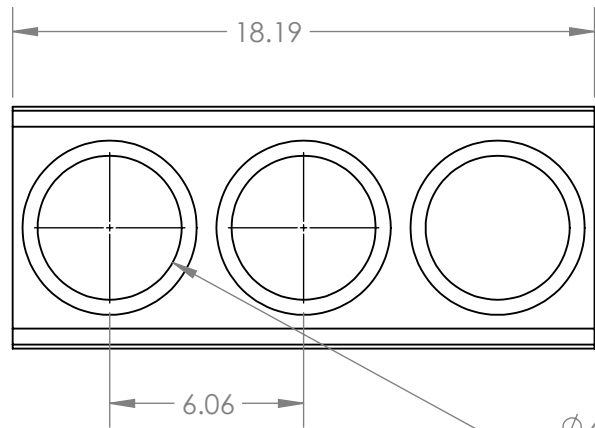
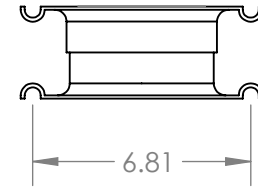
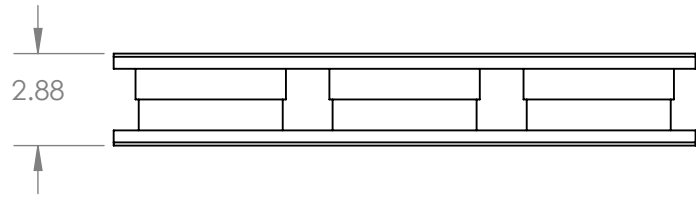
REV  
**A**

SCALE: 1:6

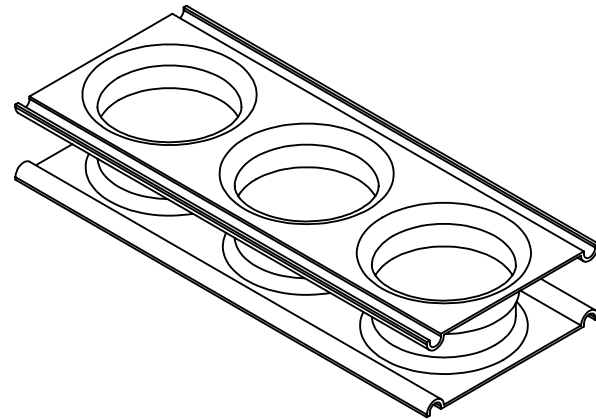
SHEET 144 OF 314



# T4A3-1515-2 7/8SW



Ø 4.50" HOLE FOR  
4" IPS CONDUIT



**PROPRIETARY AND CONFIDENTIAL**  
THE INFORMATION CONTAINED IN THIS DRAWING IS THE SOLE PROPERTY OF FORMEX MANUFACTURING. ANY REPRODUCTION IN PART OR AS A WHOLE WITHOUT THE WRITTEN PERMISSION OF FORMEX MANUFACTURING IS PROHIBITED.

UNLESS OTHERWISE SPECIFIED:		NAME	DATE
DIMENSIONS ARE IN INCHES TOLERANCES: FRACTIONAL $\pm 1/32"$ ANGULAR: $\pm 2^\circ$ TWO PLACE DECIMAL $\pm 0.03"$ THREE PLACE DECIMAL $\pm 0.010"$	DRAWN	HKF	6/28/2024
	CHECKED		
	ENG APPR.		
	MFG APPR.		
INTERPRET GEOMETRIC TOLERANCING PER:	Q.A.		
MATERIAL ABS	COMMENTS:		
FINISH GRAY / SMOOTH			
DO NOT SCALE DRAWING			

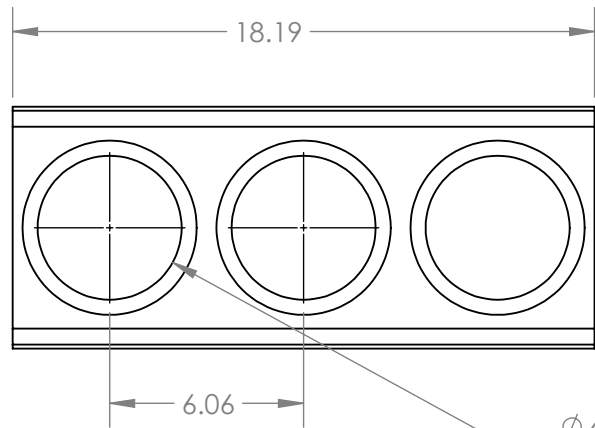
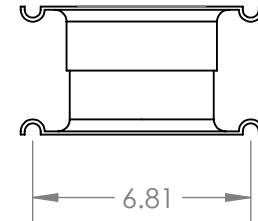
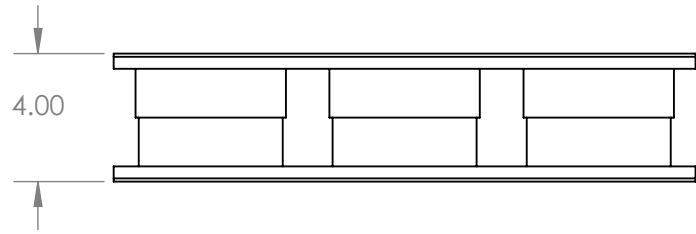
**Formex**<sup>®</sup>  
manufacturing, inc.

TITLE:  
**TERMINATOR**

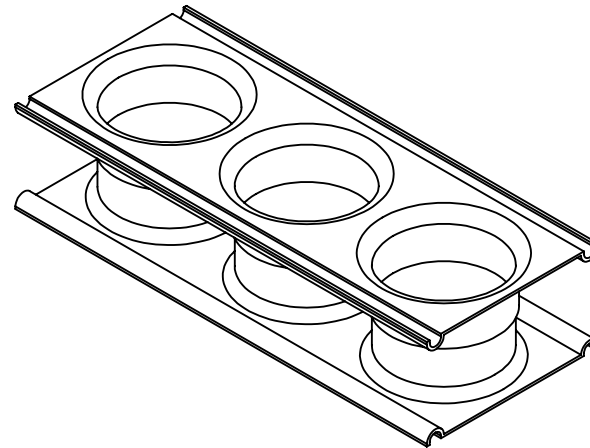
SIZE <b>A</b>	DWG. NO. FX-3753-A	REV <b>A</b>
------------------	-----------------------	-----------------

SCALE: 1:6 SHEET 145 OF 314

# T4A3-1515-4SW



Ø 4.50" HOLE FOR  
4" IPS CONDUIT



**PROPRIETARY AND CONFIDENTIAL**  
THE INFORMATION CONTAINED IN THIS DRAWING IS THE SOLE PROPERTY OF FORMEX MANUFACTURING. ANY REPRODUCTION IN PART OR AS A WHOLE WITHOUT THE WRITTEN PERMISSION OF FORMEX MANUFACTURING IS PROHIBITED.

UNLESS OTHERWISE SPECIFIED:	NAME	DATE
DIMENSIONS ARE IN INCHES	DRAWN	HKF 6/28/2024
TOLERANCES:	CHECKED	
FRACTIONAL ±1/32"	ENG APPR.	
ANGULAR: ±2°	MFG APPR.	
TWO PLACE DECIMAL ±0.03"	Q.A.	
THREE PLACE DECIMAL ±0.010"	COMMENTS:	
INTERPRET GEOMETRIC TOLERANCING PER:		
MATERIAL		
ABS		
FINISH		
GRAY / SMOOTH		
DO NOT SCALE DRAWING		

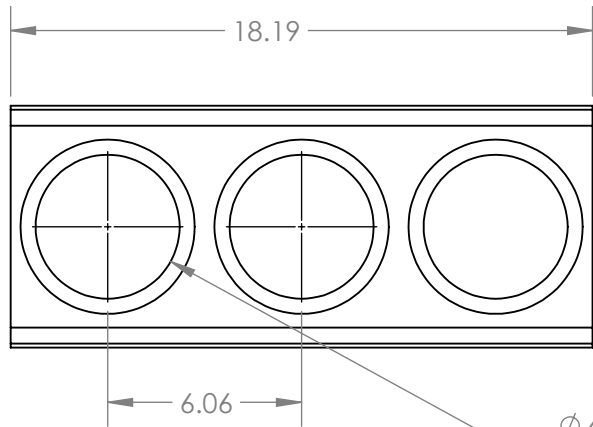
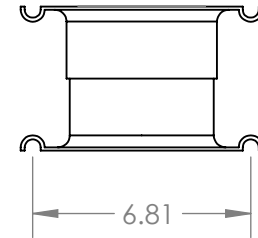
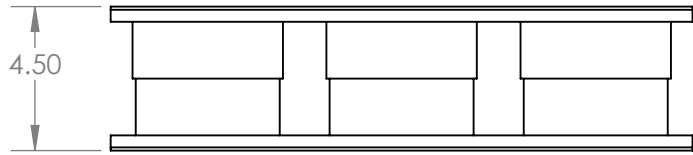
**Formex**<sup>®</sup>  
manufacturing, inc.

TITLE:  
**TERMINATOR**

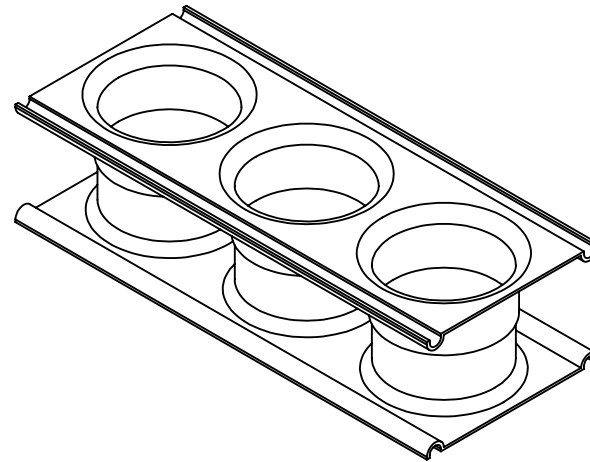
SIZE <b>A</b>	DWG. NO. FX-3753-A	REV <b>A</b>
------------------	-----------------------	-----------------

SCALE: 1:6 SHEET 146 OF 314

# T4A3-1515-4 1/2SW



Ø 4.50" HOLE FOR  
4" IPS CONDUIT



**PROPRIETARY AND CONFIDENTIAL**  
THE INFORMATION CONTAINED IN THIS DRAWING IS THE SOLE PROPERTY OF FORMEX MANUFACTURING. ANY REPRODUCTION IN PART OR AS A WHOLE WITHOUT THE WRITTEN PERMISSION OF FORMEX MANUFACTURING IS PROHIBITED.

UNLESS OTHERWISE SPECIFIED:		NAME	DATE
DIMENSIONS ARE IN INCHES	DRAWN	HKF	6/28/2024
TOLERANCES:	CHECKED		
FRACTIONAL ±1/32"	ENG APPR.		
ANGULAR: ±2°	MFG APPR.		
TWO PLACE DECIMAL ±0.03"	Q.A.		
THREE PLACE DECIMAL ±0.010"	COMMENTS:		
INTERPRET GEOMETRIC TOLERANCING PER:			
MATERIAL			
ABS			
FINISH			
GRAY / SMOOTH			
DO NOT SCALE DRAWING			

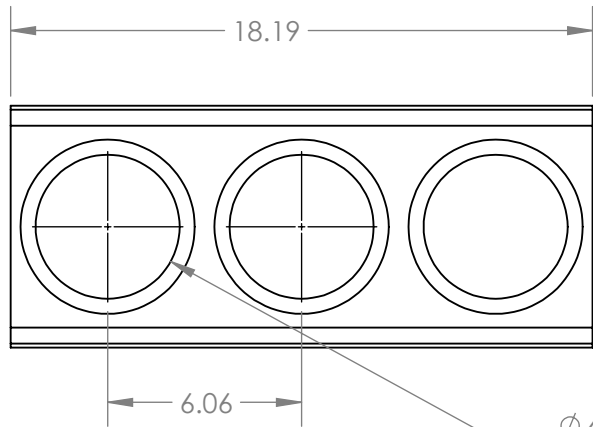
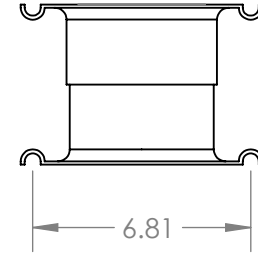
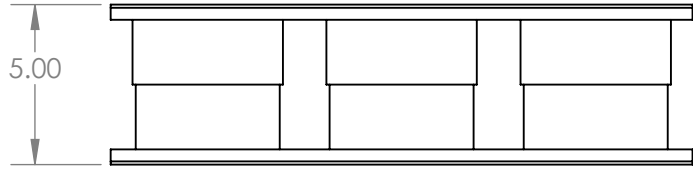
**Formex**<sup>®</sup>  
manufacturing, inc.

TITLE:  
**TERMINATOR**

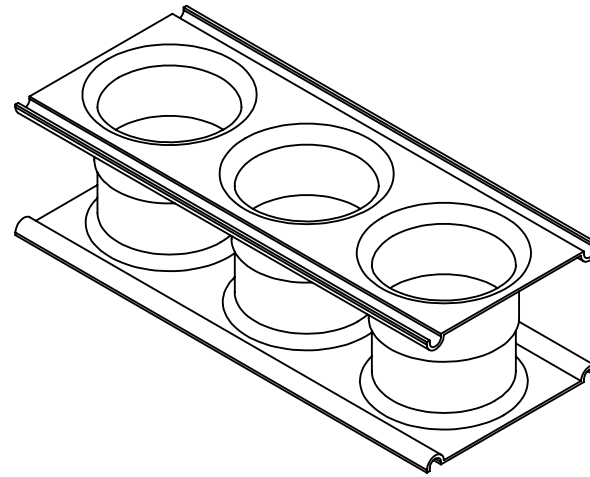
SIZE <b>A</b>	DWG. NO. FX-3753-A	REV <b>A</b>
------------------	-----------------------	-----------------

SCALE: 1:6 SHEET 147 OF 314

# T4A3-1515-5SW



Ø 4.50" HOLE FOR  
4" IPS CONDUIT



**PROPRIETARY AND CONFIDENTIAL**  
THE INFORMATION CONTAINED IN THIS DRAWING IS THE SOLE PROPERTY OF FORMEX MANUFACTURING. ANY REPRODUCTION IN PART OR AS A WHOLE WITHOUT THE WRITTEN PERMISSION OF FORMEX MANUFACTURING IS PROHIBITED.

UNLESS OTHERWISE SPECIFIED:	NAME	DATE
DIMENSIONS ARE IN INCHES	DRAWN	HKF 6/28/2024
TOLERANCES:	CHECKED	
FRACTIONAL ±1/32"	ENG APPR.	
ANGULAR: ±2°	MFG APPR.	
TWO PLACE DECIMAL ±0.03"	Q.A.	
THREE PLACE DECIMAL ±0.010"	COMMENTS:	
INTERPRET GEOMETRIC TOLERANCING PER:		
MATERIAL		
ABS		
FINISH		
GRAY / SMOOTH		
DO NOT SCALE DRAWING		

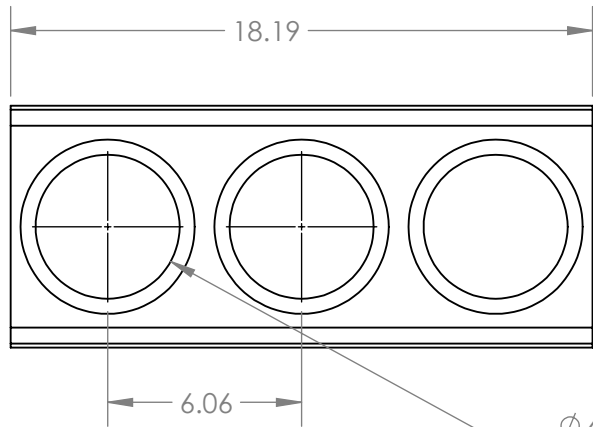
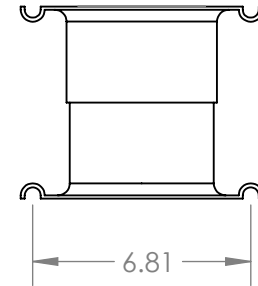
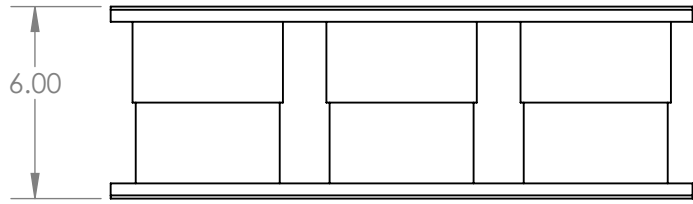
**Formex**<sup>®</sup>  
manufacturing, inc.

TITLE:  
**TERMINATOR**

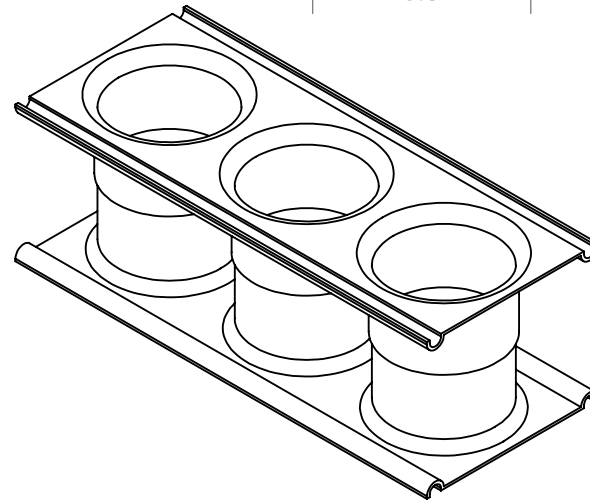
SIZE	DWG. NO.	REV
<b>A</b>	FX-3753-A	<b>A</b>

SCALE: 1:6 SHEET 148 OF 314

# T4A3-1515-6SW



Ø 4.50" HOLE FOR  
4" IPS CONDUIT



**PROPRIETARY AND CONFIDENTIAL**  
THE INFORMATION CONTAINED IN THIS DRAWING IS THE SOLE PROPERTY OF FORMEX MANUFACTURING. ANY REPRODUCTION IN PART OR AS A WHOLE WITHOUT THE WRITTEN PERMISSION OF FORMEX MANUFACTURING IS PROHIBITED.

UNLESS OTHERWISE SPECIFIED:		NAME	DATE
DIMENSIONS ARE IN INCHES TOLERANCES: FRACTIONAL $\pm 1/32"$ ANGULAR: $\pm 2^\circ$ TWO PLACE DECIMAL $\pm 0.03"$ THREE PLACE DECIMAL $\pm 0.010"$	DRAWN	HKF	6/28/2024
	CHECKED		
	ENG APPR.		
	MFG APPR.		
INTERPRET GEOMETRIC TOLERANCING PER:	Q.A.		
MATERIAL ABS	COMMENTS:		
FINISH GRAY / SMOOTH			
DO NOT SCALE DRAWING			

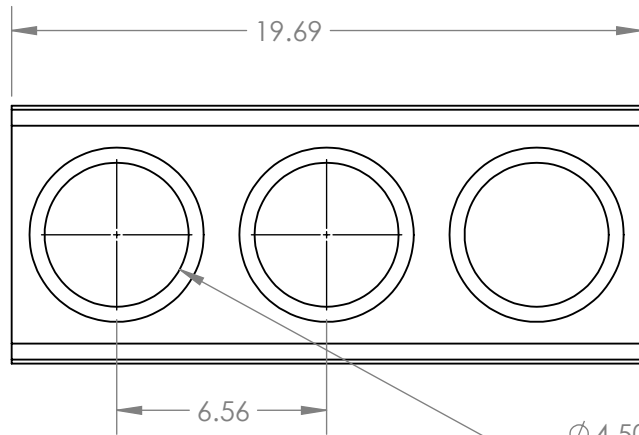
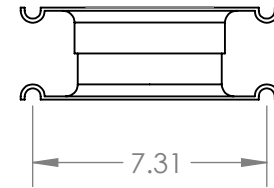
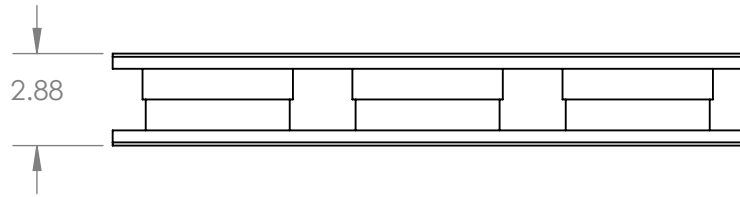
**Formex**<sup>®</sup>  
manufacturing, inc.

TITLE:  
**TERMINATOR**

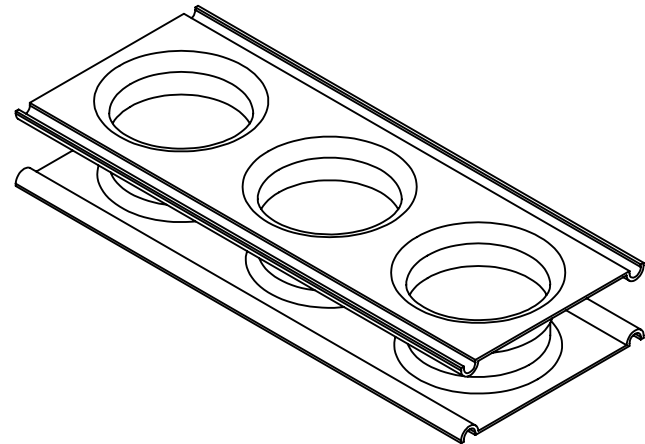
SIZE <b>A</b>	DWG. NO. FX-3753-A	REV <b>A</b>
------------------	-----------------------	-----------------

SCALE: 1:6 SHEET 149 OF 314

# T4A3-2020-2 7/8SW



Ø 4.50" HOLE FOR  
4" IPS CONDUIT



**PROPRIETARY AND CONFIDENTIAL**  
THE INFORMATION CONTAINED IN THIS DRAWING IS THE SOLE PROPERTY OF FORMEX MANUFACTURING. ANY REPRODUCTION IN PART OR AS A WHOLE WITHOUT THE WRITTEN PERMISSION OF FORMEX MANUFACTURING IS PROHIBITED.

UNLESS OTHERWISE SPECIFIED:	NAME	DATE
DIMENSIONS ARE IN INCHES	DRAWN	HKF 6/28/2024
TOLERANCES:	CHECKED	
FRACTIONAL ±1/32"	ENG APPR.	
ANGULAR: ±2°	MFG APPR.	
TWO PLACE DECIMAL ±0.03"	Q.A.	
THREE PLACE DECIMAL ±0.010"	COMMENTS:	
INTERPRET GEOMETRIC TOLERANCING PER:		
MATERIAL		
ABS		
FINISH		
GRAY / SMOOTH		
DO NOT SCALE DRAWING		

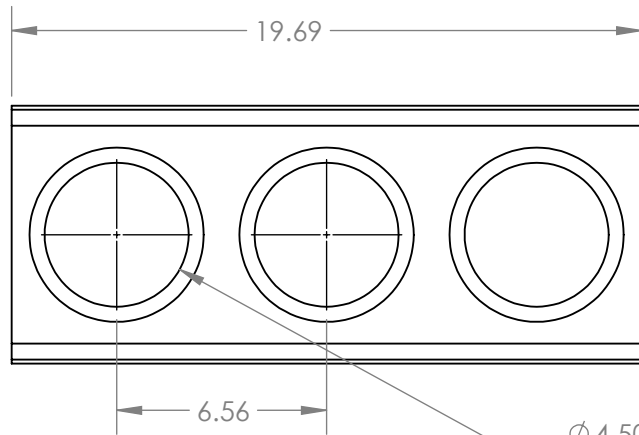
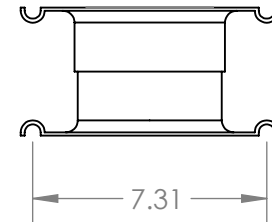
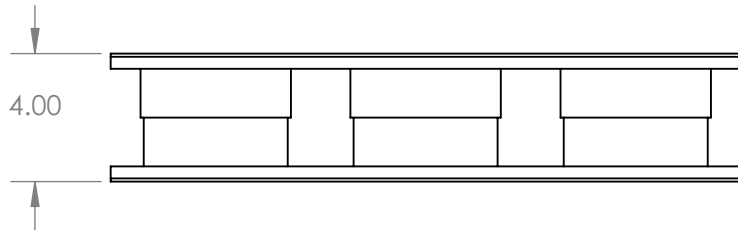
**Formex**<sup>®</sup>  
manufacturing, inc.

TITLE:  
**TERMINATOR**

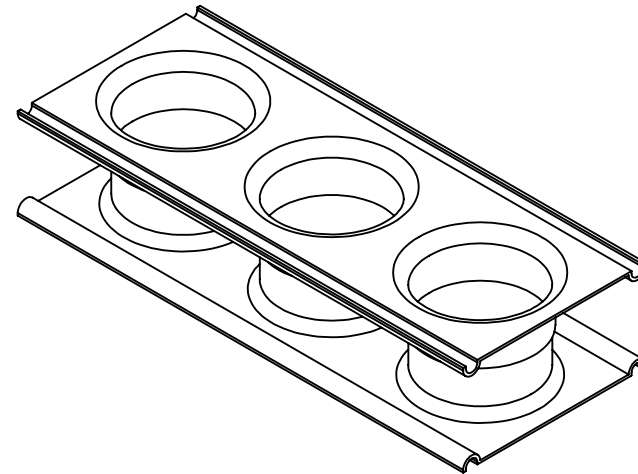
SIZE <b>A</b>	DWG. NO. FX-3753-A	REV <b>A</b>
------------------	-----------------------	-----------------

SCALE: 1:6 SHEET 150 OF 314

# T4A3-2020-4SW



Ø 4.50" HOLE FOR  
4" IPS CONDUIT



**PROPRIETARY AND CONFIDENTIAL**  
THE INFORMATION CONTAINED IN THIS DRAWING IS THE SOLE PROPERTY OF FORMEX MANUFACTURING. ANY REPRODUCTION IN PART OR AS A WHOLE WITHOUT THE WRITTEN PERMISSION OF FORMEX MANUFACTURING IS PROHIBITED.

UNLESS OTHERWISE SPECIFIED:		NAME	DATE
DIMENSIONS ARE IN INCHES TOLERANCES: FRACTIONAL $\pm 1/32"$ ANGULAR: $\pm 2^\circ$ TWO PLACE DECIMAL $\pm 0.03"$ THREE PLACE DECIMAL $\pm 0.010"$	DRAWN	HKF	6/28/2024
	CHECKED		
	ENG APPR.		
	MFG APPR.		
	Q.A.		
INTERPRET GEOMETRIC TOLERANCING PER:	COMMENTS:		
MATERIAL ABS			
FINISH GRAY / SMOOTH			
DO NOT SCALE DRAWING			

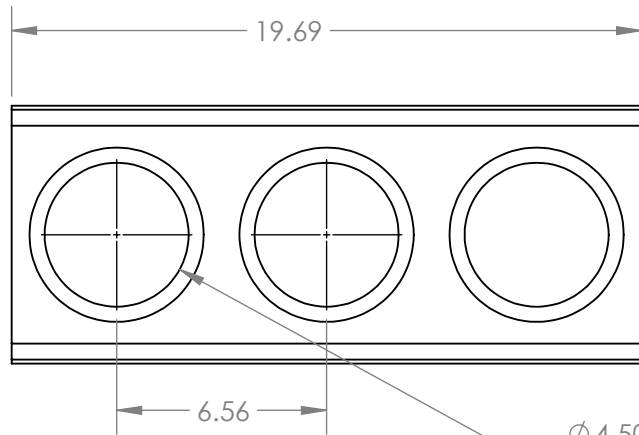
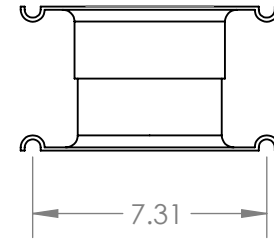
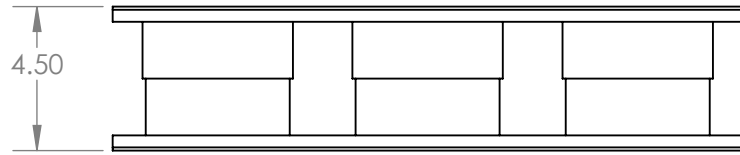
**Formex**<sup>®</sup>  
manufacturing, inc.

TITLE:  
**TERMINATOR**

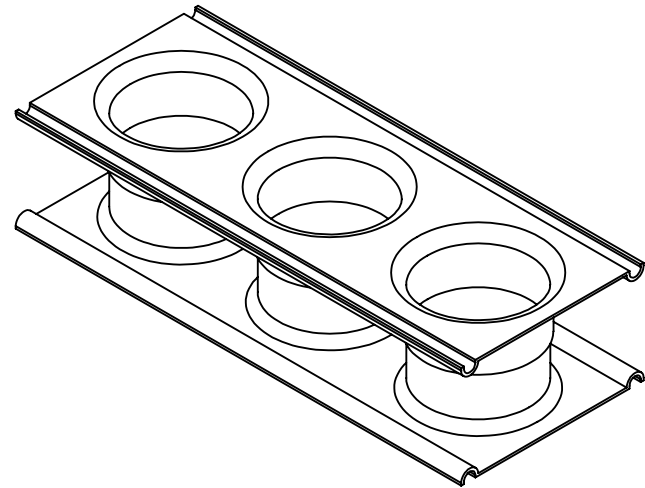
SIZE <b>A</b>	DWG. NO. FX-3753-A	REV <b>A</b>
------------------	-----------------------	-----------------

SCALE: 1:6 SHEET 151 OF 314

# T4A3-2020-4 1/2SW



Ø 4.50" HOLE FOR  
4" IPS CONDUIT



**PROPRIETARY AND CONFIDENTIAL**  
THE INFORMATION CONTAINED IN THIS DRAWING IS THE SOLE PROPERTY OF FORMEX MANUFACTURING. ANY REPRODUCTION IN PART OR AS A WHOLE WITHOUT THE WRITTEN PERMISSION OF FORMEX MANUFACTURING IS PROHIBITED.

UNLESS OTHERWISE SPECIFIED:		NAME	DATE
DIMENSIONS ARE IN INCHES TOLERANCES: FRACTIONAL ±1/32" ANGULAR: ±2° TWO PLACE DECIMAL ±0.03" THREE PLACE DECIMAL ±0.010"	DRAWN	HKF	6/28/2024
	CHECKED		
	ENG APPR.		
	MFG APPR.		
	Q.A.		
INTERPRET GEOMETRIC TOLERANCING PER:	COMMENTS:		
MATERIAL ABS			
FINISH GRAY / SMOOTH			
DO NOT SCALE DRAWING			

**Formex**<sup>®</sup>  
manufacturing, inc.

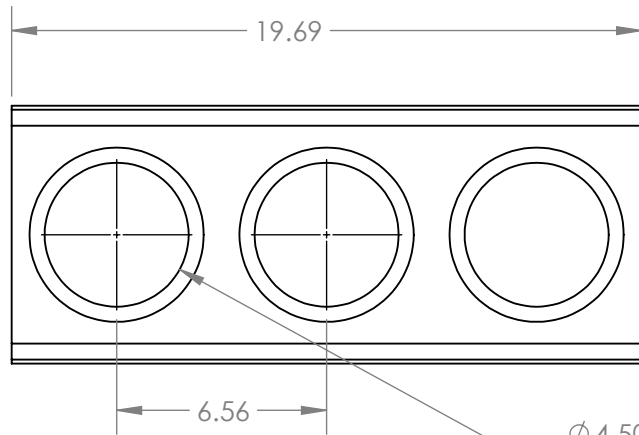
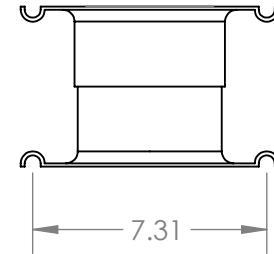
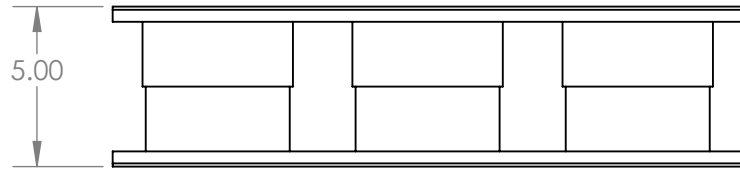
TITLE:  
**TERMINATOR**

SIZE <b>A</b>	DWG. NO. FX-3753-A	REV <b>A</b>
------------------	-----------------------	-----------------

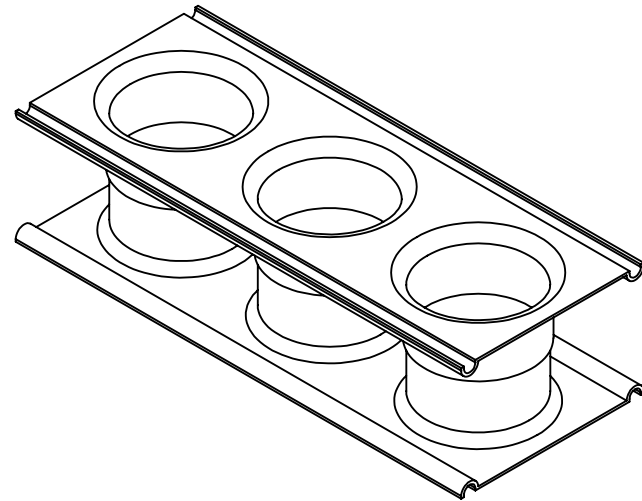
SCALE: 1:6 SHEET 152 OF 314



# T4A3-2020-5SW



Ø 4.50" HOLE FOR  
4" IPS CONDUIT



**PROPRIETARY AND CONFIDENTIAL**  
THE INFORMATION CONTAINED IN THIS DRAWING IS THE SOLE PROPERTY OF FORMEX MANUFACTURING. ANY REPRODUCTION IN PART OR AS A WHOLE WITHOUT THE WRITTEN PERMISSION OF FORMEX MANUFACTURING IS PROHIBITED.

UNLESS OTHERWISE SPECIFIED:		NAME	DATE
DIMENSIONS ARE IN INCHES TOLERANCES: FRACTIONAL ±1/32" ANGULAR: ±2° TWO PLACE DECIMAL ±0.03" THREE PLACE DECIMAL ±0.010"	DRAWN	HKF	6/28/2024
	CHECKED		
	ENG APPR.		
	MFG APPR.		
INTERPRET GEOMETRIC TOLERANCING PER:	Q.A.		
MATERIAL ABS	COMMENTS:		
FINISH GRAY / SMOOTH			
DO NOT SCALE DRAWING			

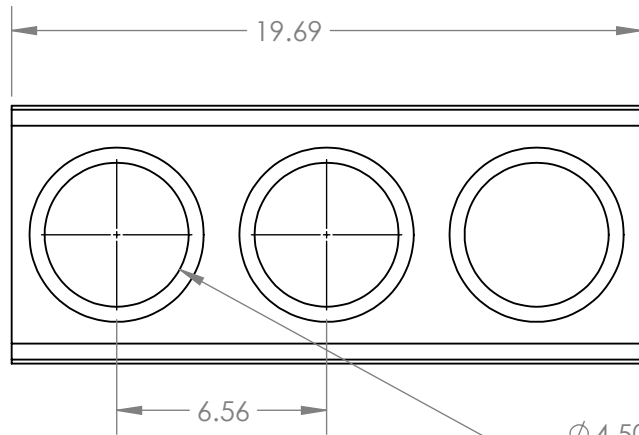
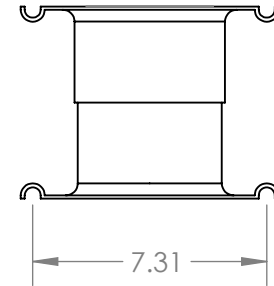
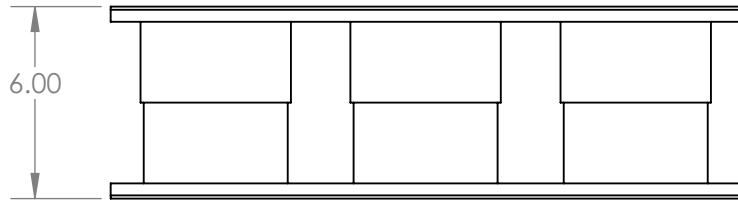
**Formex**<sup>®</sup>  
manufacturing, inc.

TITLE:  
**TERMINATOR**

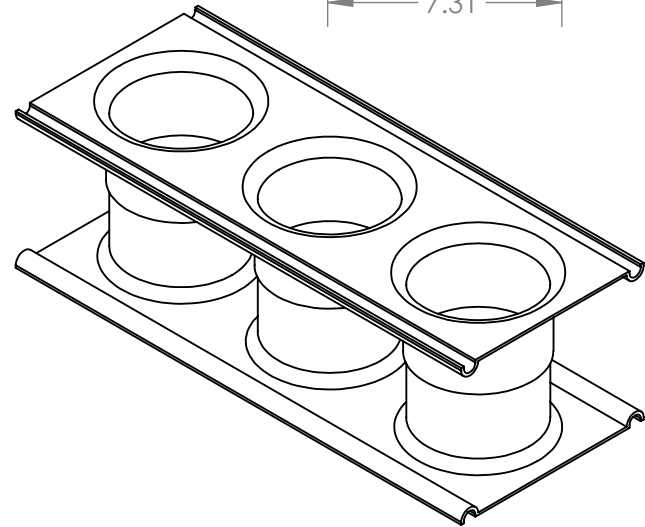
SIZE <b>A</b>	DWG. NO. FX-3753-A	REV <b>A</b>
------------------	-----------------------	-----------------

SCALE: 1:6 SHEET 153 OF 314

# T4A3-2020-6SW



Ø 4.50" HOLE FOR  
4" IPS CONDUIT



**PROPRIETARY AND CONFIDENTIAL**  
THE INFORMATION CONTAINED IN THIS DRAWING IS THE SOLE PROPERTY OF FORMEX MANUFACTURING. ANY REPRODUCTION IN PART OR AS A WHOLE WITHOUT THE WRITTEN PERMISSION OF FORMEX MANUFACTURING IS PROHIBITED.

UNLESS OTHERWISE SPECIFIED:		NAME	DATE
DIMENSIONS ARE IN INCHES TOLERANCES: FRACTIONAL ±1/32" ANGULAR: ±2° TWO PLACE DECIMAL ±0.03" THREE PLACE DECIMAL ±0.010"	DRAWN	HKF	6/28/2024
	CHECKED		
	ENG APPR.		
	MFG APPR.		
	Q.A.		
INTERPRET GEOMETRIC TOLERANCING PER:	COMMENTS:		
MATERIAL ABS			
FINISH GRAY / SMOOTH			
DO NOT SCALE DRAWING			

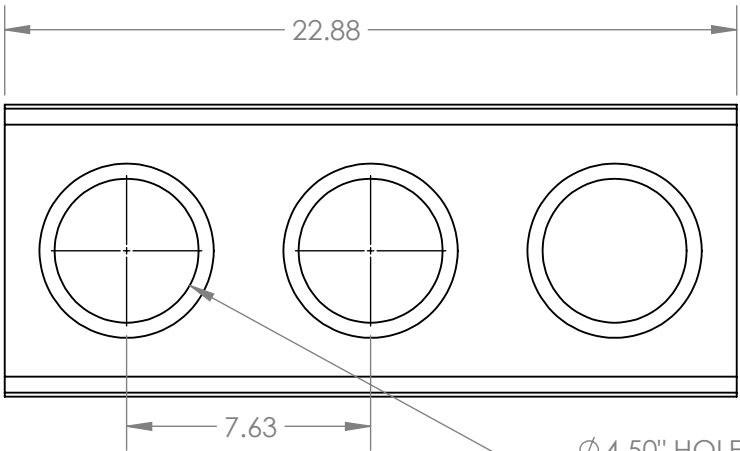
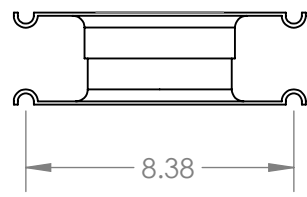
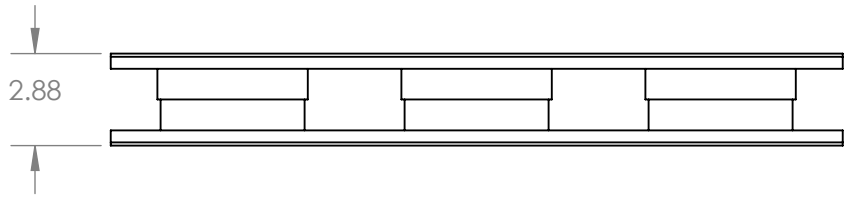
**Formex**<sup>®</sup>  
manufacturing, inc.

TITLE:  
**TERMINATOR**

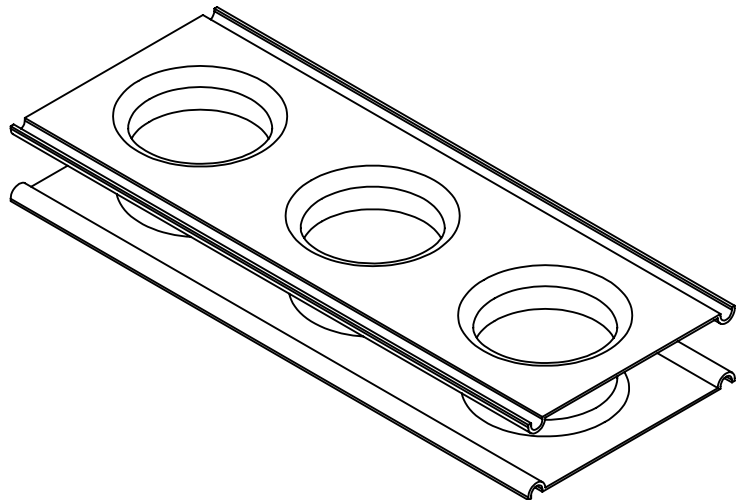
SIZE <b>A</b>	DWG. NO. FX-3753-A	REV <b>A</b>
------------------	-----------------------	-----------------

SCALE: 1:6 SHEET 154 OF 314

# T4A3-3030-2 7/8SW



Ø 4.50" HOLE FOR  
4" IPS CONDUIT



**PROPRIETARY AND CONFIDENTIAL**  
THE INFORMATION CONTAINED IN THIS DRAWING IS THE SOLE PROPERTY OF FORMEX MANUFACTURING. ANY REPRODUCTION IN PART OR AS A WHOLE WITHOUT THE WRITTEN PERMISSION OF FORMEX MANUFACTURING IS PROHIBITED.

UNLESS OTHERWISE SPECIFIED:	NAME	DATE
DIMENSIONS ARE IN INCHES	DRAWN	HKF 6/28/2024
TOLERANCES:	CHECKED	
FRACTIONAL ±1/32"	ENG APPR.	
ANGULAR: ±2°	MFG APPR.	
TWO PLACE DECIMAL ±0.03"	Q.A.	
THREE PLACE DECIMAL ±0.010"	COMMENTS:	
INTERPRET GEOMETRIC TOLERANCING PER:		
MATERIAL		
ABS		
FINISH		
GRAY / SMOOTH		
DO NOT SCALE DRAWING		

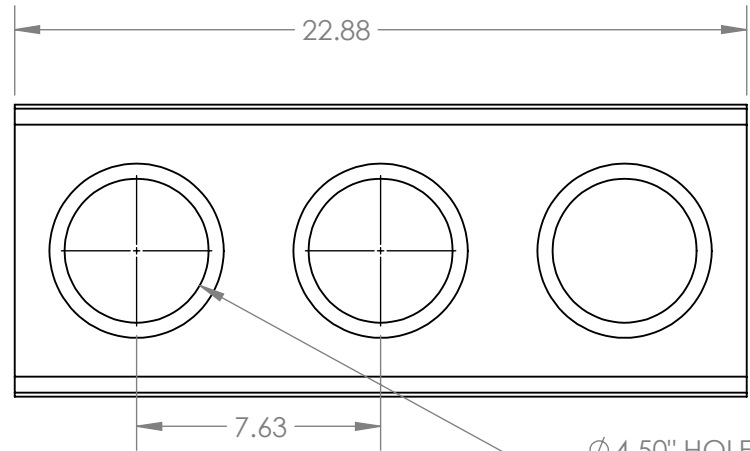
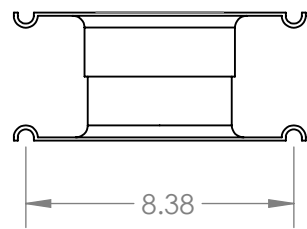
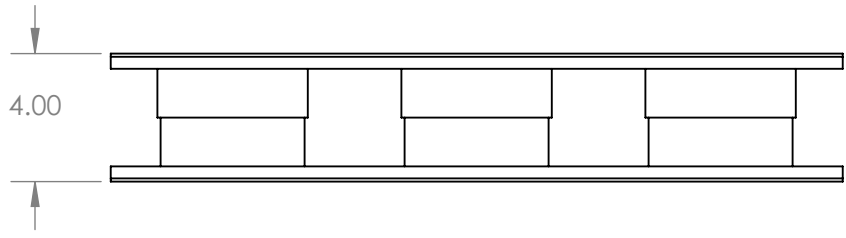
**Formex**<sup>®</sup>  
manufacturing, inc.

TITLE:  
**TERMINATOR**

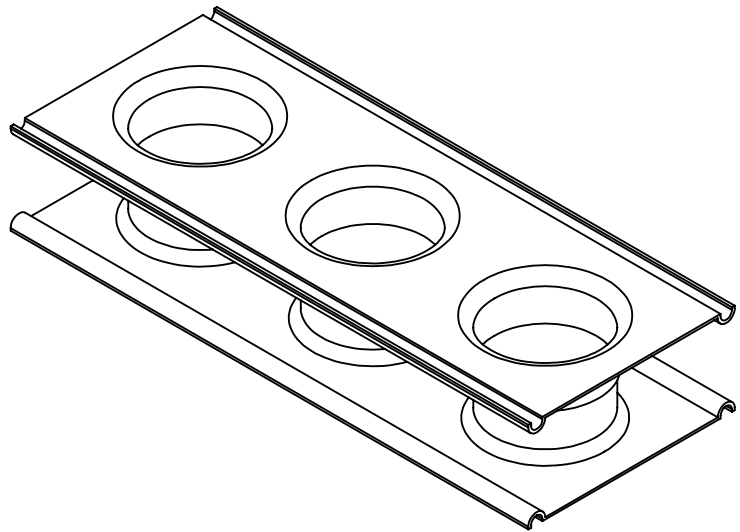
SIZE	DWG. NO.	REV
<b>A</b>	FX-3753-A	<b>A</b>

SCALE: 1:6 SHEET 155 OF 314

# T4A3-3030-4SW



Ø 4.50" HOLE FOR  
4" IPS CONDUIT



**PROPRIETARY AND CONFIDENTIAL**  
THE INFORMATION CONTAINED IN THIS DRAWING IS THE SOLE PROPERTY OF FORMEX MANUFACTURING. ANY REPRODUCTION IN PART OR AS A WHOLE WITHOUT THE WRITTEN PERMISSION OF FORMEX MANUFACTURING IS PROHIBITED.

UNLESS OTHERWISE SPECIFIED:	NAME	DATE
DIMENSIONS ARE IN INCHES	DRAWN	HKF 6/28/2024
TOLERANCES:	CHECKED	
FRACTIONAL ±1/32"	ENG APPR.	
ANGULAR: ±2°	MFG APPR.	
TWO PLACE DECIMAL ±0.03"	Q.A.	
THREE PLACE DECIMAL ±0.010"	COMMENTS:	
INTERPRET GEOMETRIC TOLERANCING PER:		
MATERIAL		
ABS		
FINISH		
GRAY / SMOOTH		
DO NOT SCALE DRAWING		

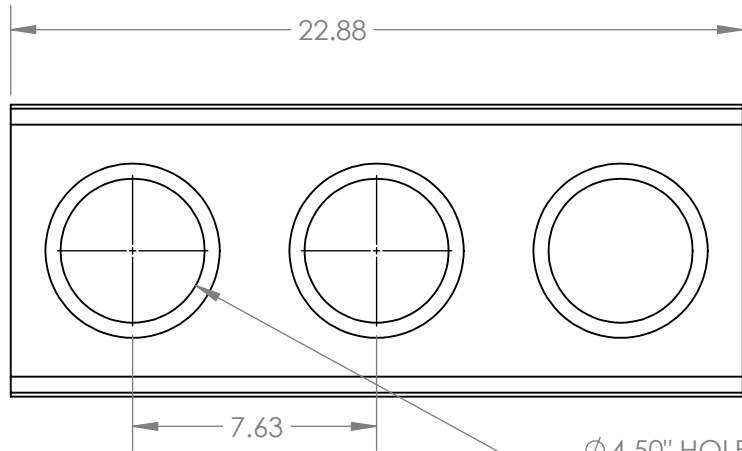
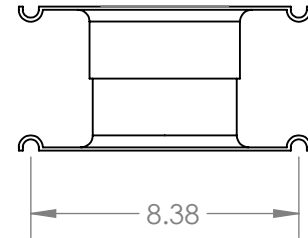
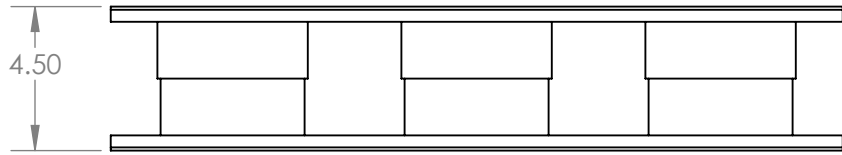
**Formex**<sup>®</sup>  
manufacturing, inc.

TITLE:  
**TERMINATOR**

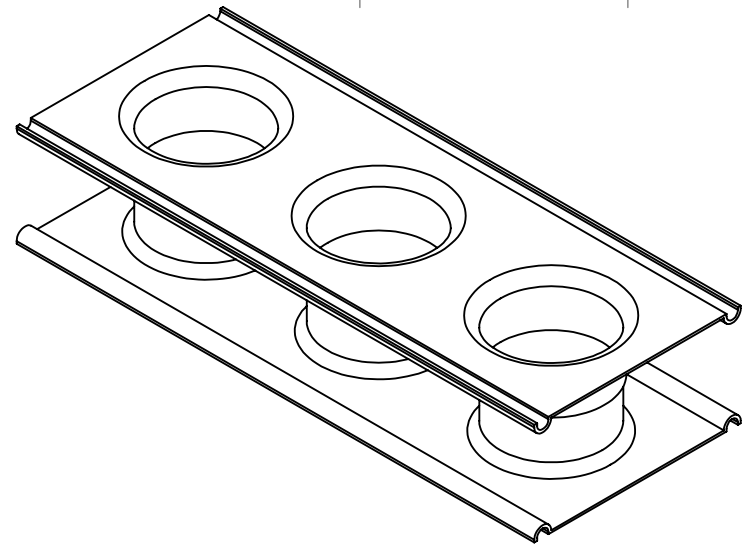
SIZE <b>A</b>	DWG. NO. FX-3753-A	REV <b>A</b>
------------------	-----------------------	-----------------

SCALE: 1:6 SHEET 156 OF 314

# T4A3-3030-4 1/2SW



Ø 4.50" HOLE FOR  
4" IPS CONDUIT



**PROPRIETARY AND CONFIDENTIAL**  
THE INFORMATION CONTAINED IN THIS DRAWING IS THE SOLE PROPERTY OF FORMEX MANUFACTURING. ANY REPRODUCTION IN PART OR AS A WHOLE WITHOUT THE WRITTEN PERMISSION OF FORMEX MANUFACTURING IS PROHIBITED.

UNLESS OTHERWISE SPECIFIED:		NAME	DATE
DIMENSIONS ARE IN INCHES TOLERANCES: FRACTIONAL ±1/32" ANGULAR: ±2° TWO PLACE DECIMAL ±0.03" THREE PLACE DECIMAL ±0.010"	DRAWN	HKF	6/28/2024
	CHECKED		
	ENG APPR.		
	MFG APPR.		
	Q.A.		
INTERPRET GEOMETRIC TOLERANCING PER:	COMMENTS:		
MATERIAL	ABS		
FINISH	GRAY / SMOOTH		
DO NOT SCALE DRAWING			

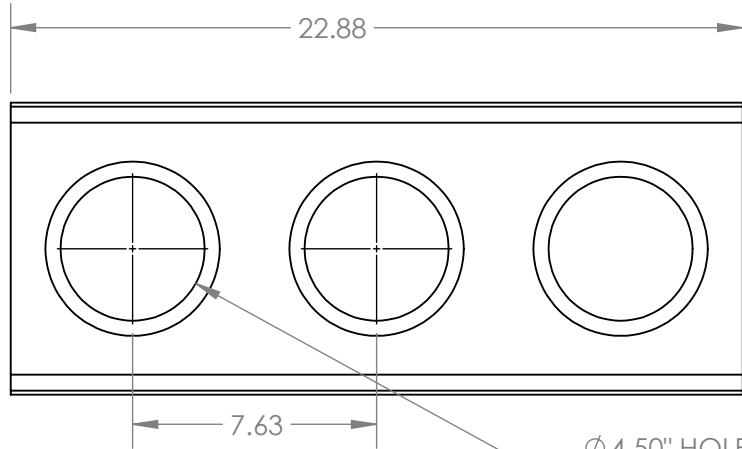
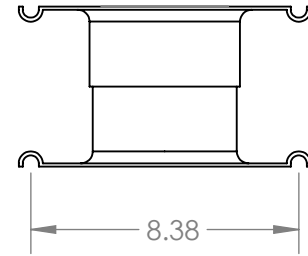
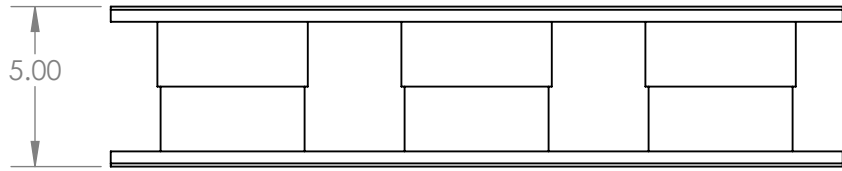
**Formex**<sup>®</sup>  
manufacturing, inc.

TITLE:  
**TERMINATOR**

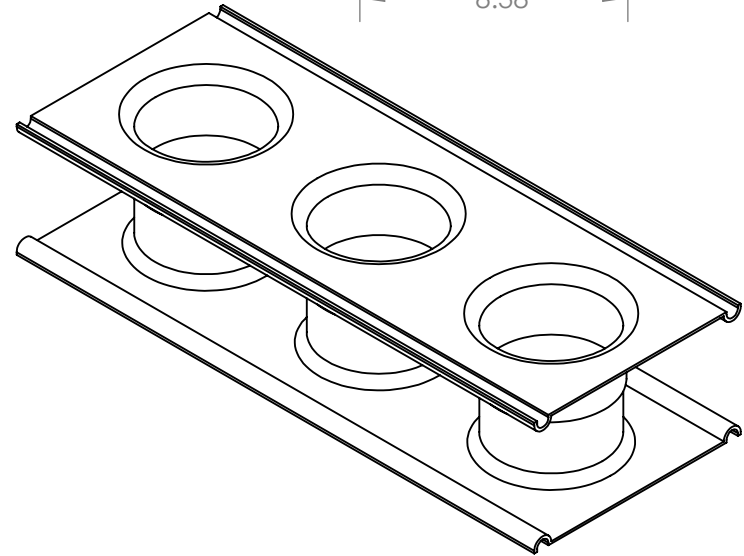
SIZE <b>A</b>	DWG. NO. FX-3753-A	REV <b>A</b>
------------------	-----------------------	-----------------

SCALE: 1:6 SHEET 157 OF 314

# T4A3-3030-5SW



Ø 4.50" HOLE FOR  
4" IPS CONDUIT



**PROPRIETARY AND CONFIDENTIAL**  
THE INFORMATION CONTAINED IN THIS DRAWING IS THE SOLE PROPERTY OF FORMEX MANUFACTURING. ANY REPRODUCTION IN PART OR AS A WHOLE WITHOUT THE WRITTEN PERMISSION OF FORMEX MANUFACTURING IS PROHIBITED.

UNLESS OTHERWISE SPECIFIED:		NAME	DATE
DIMENSIONS ARE IN INCHES TOLERANCES: FRACTIONAL ±1/32" ANGULAR: ±2° TWO PLACE DECIMAL ±0.03" THREE PLACE DECIMAL ±0.010"	DRAWN	HKF	6/28/2024
	CHECKED		
	ENG APPR.		
	MFG APPR.		
	Q.A.		
INTERPRET GEOMETRIC TOLERANCING PER:	COMMENTS:		
MATERIAL	ABS		
FINISH	GRAY / SMOOTH		
DO NOT SCALE DRAWING			

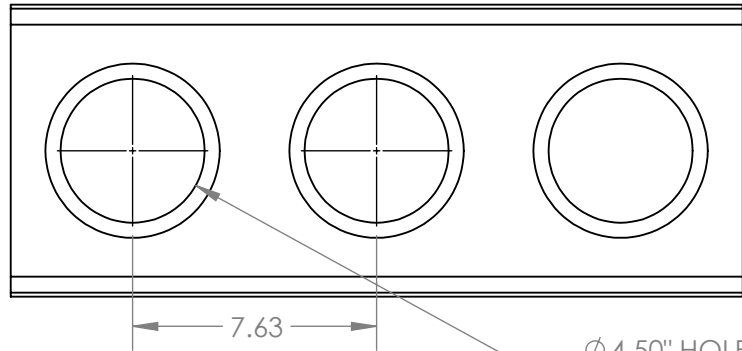
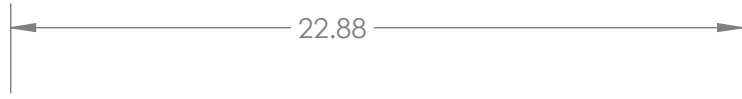
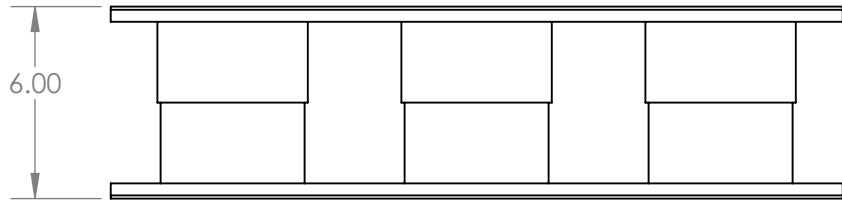
**Formex**<sup>®</sup>  
manufacturing, inc.

TITLE:  
**TERMINATOR**

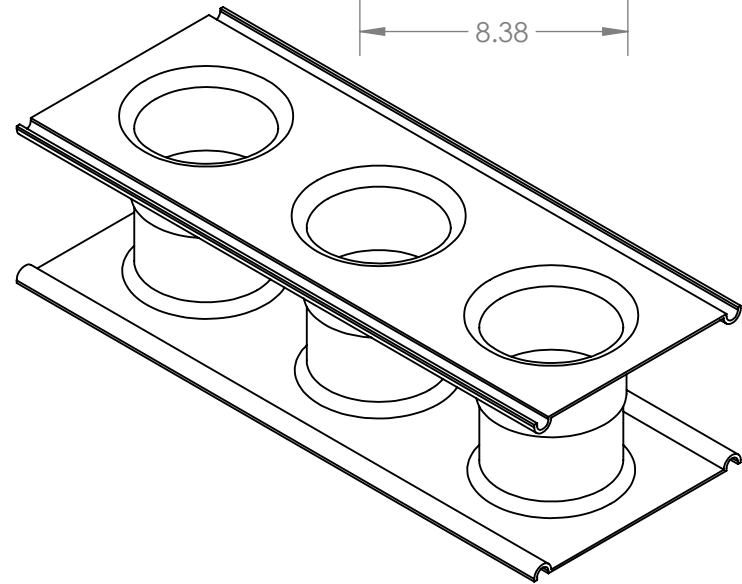
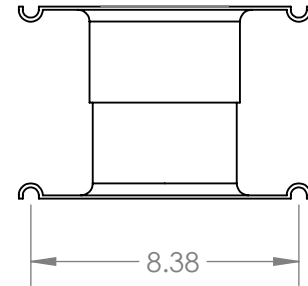
SIZE <b>A</b>	DWG. NO. FX-3753-A	REV <b>A</b>
------------------	-----------------------	-----------------

SCALE: 1:6 SHEET 158 OF 314

# T4A3-3030-6SW



Ø 4.50" HOLE FOR  
4" IPS CONDUIT



**PROPRIETARY AND CONFIDENTIAL**  
THE INFORMATION CONTAINED IN THIS DRAWING IS THE SOLE PROPERTY OF FORMEX MANUFACTURING. ANY REPRODUCTION IN PART OR AS A WHOLE WITHOUT THE WRITTEN PERMISSION OF FORMEX MANUFACTURING IS PROHIBITED.

UNLESS OTHERWISE SPECIFIED:		NAME	DATE
DIMENSIONS ARE IN INCHES TOLERANCES: FRACTIONAL ±1/32" ANGULAR: ±2° TWO PLACE DECIMAL ±0.03" THREE PLACE DECIMAL ±0.010"	DRAWN	HKF	6/28/2024
	CHECKED		
	ENG APPR.		
	MFG APPR.		
	Q.A.		
INTERPRET GEOMETRIC TOLERANCING PER:	COMMENTS:		
MATERIAL	ABS		
FINISH	GRAY / SMOOTH		
DO NOT SCALE DRAWING			

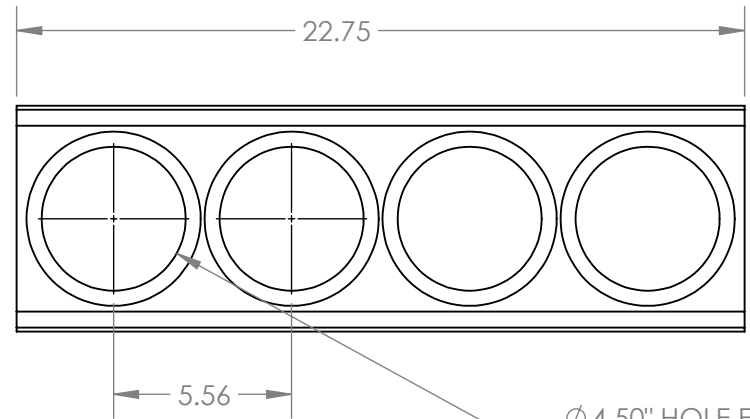
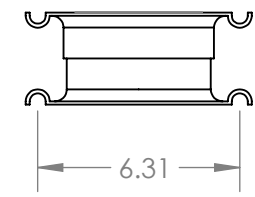
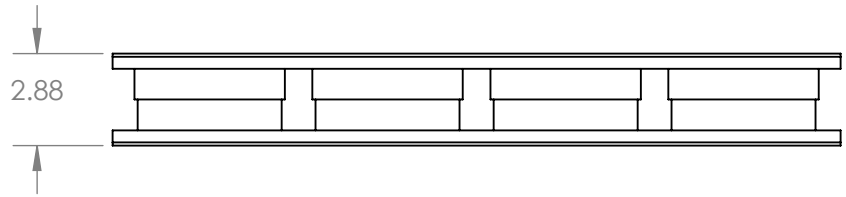
**Formex**<sup>®</sup>  
manufacturing, inc.

TITLE:  
**TERMINATOR**

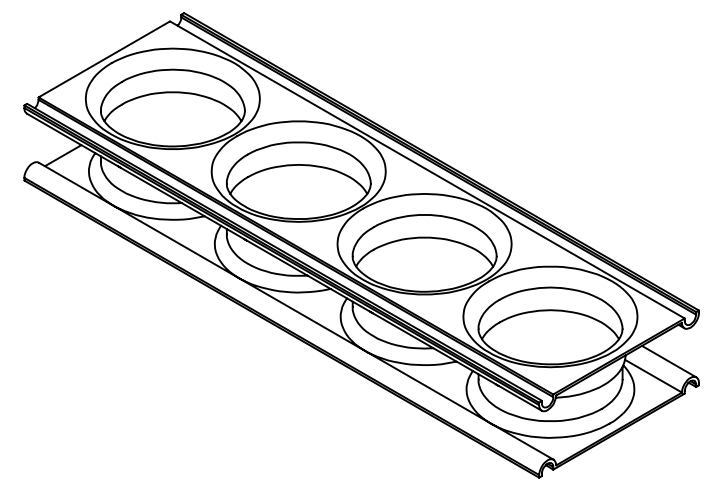
SIZE <b>A</b>	DWG. NO. FX-3753-A	REV <b>A</b>
------------------	-----------------------	-----------------

SCALE: 1:6 SHEET 159 OF 314

# T4A4-1010-2 7/8SW



Ø 4.50" HOLE FOR  
4" IPS CONDUIT



**PROPRIETARY AND CONFIDENTIAL**  
THE INFORMATION CONTAINED IN THIS DRAWING IS THE SOLE PROPERTY OF FORMEX MANUFACTURING. ANY REPRODUCTION IN PART OR AS A WHOLE WITHOUT THE WRITTEN PERMISSION OF FORMEX MANUFACTURING IS PROHIBITED.

UNLESS OTHERWISE SPECIFIED:	NAME	DATE
DIMENSIONS ARE IN INCHES	DRAWN	HKF 6/28/2024
TOLERANCES:	CHECKED	
FRACTIONAL ±1/32"	ENG APPR.	
ANGULAR: ±2°	MFG APPR.	
TWO PLACE DECIMAL ±0.03"	Q.A.	
THREE PLACE DECIMAL ±0.010"	COMMENTS:	
INTERPRET GEOMETRIC TOLERANCING PER:		
MATERIAL		
ABS		
FINISH		
GRAY / SMOOTH		
DO NOT SCALE DRAWING		

**Formex**<sup>®</sup>  
manufacturing, inc.

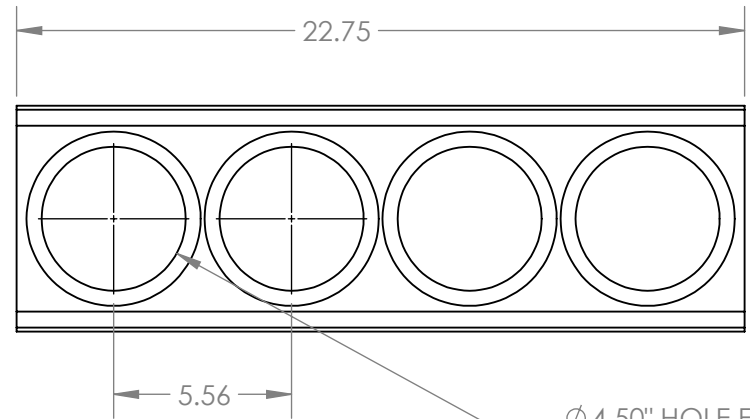
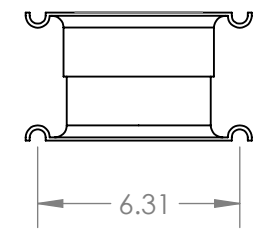
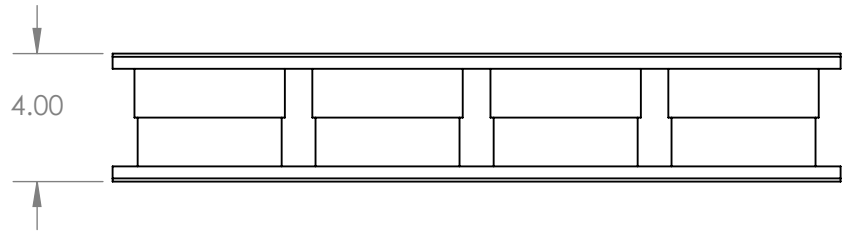
TITLE:  
**TERMINATOR**

SIZE	DWG. NO.	REV
<b>A</b>	FX-3753-A	<b>A</b>

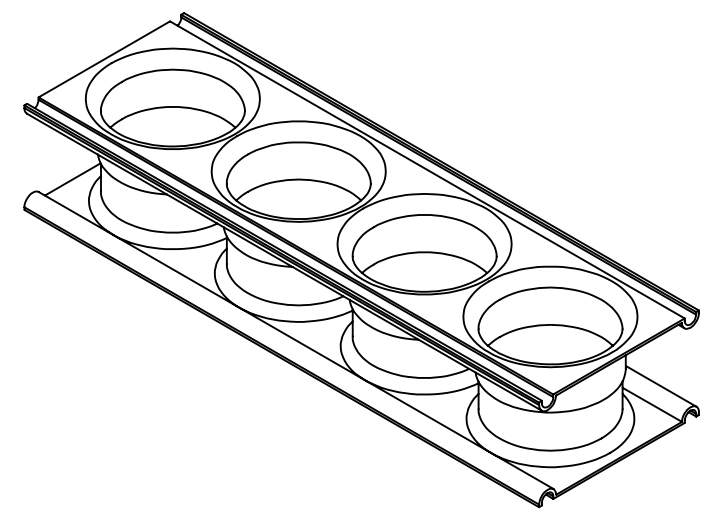
SCALE: 1:6 SHEET 160 OF 314



# T4A4-1010-4SW



Ø 4.50" HOLE FOR  
4" IPS CONDUIT



**PROPRIETARY AND CONFIDENTIAL**  
THE INFORMATION CONTAINED IN THIS DRAWING IS THE SOLE PROPERTY OF FORMEX MANUFACTURING. ANY REPRODUCTION IN PART OR AS A WHOLE WITHOUT THE WRITTEN PERMISSION OF FORMEX MANUFACTURING IS PROHIBITED.

UNLESS OTHERWISE SPECIFIED:		NAME	DATE
DIMENSIONS ARE IN INCHES TOLERANCES: FRACTIONAL ±1/32" ANGULAR: ±2° TWO PLACE DECIMAL ±0.03" THREE PLACE DECIMAL ±0.010"	DRAWN	HKF	6/28/2024
	CHECKED		
	ENG APPR.		
	MFG APPR.		
	Q.A.		
INTERPRET GEOMETRIC TOLERANCING PER:	COMMENTS:		
MATERIAL ABS			
FINISH GRAY / SMOOTH			
DO NOT SCALE DRAWING			

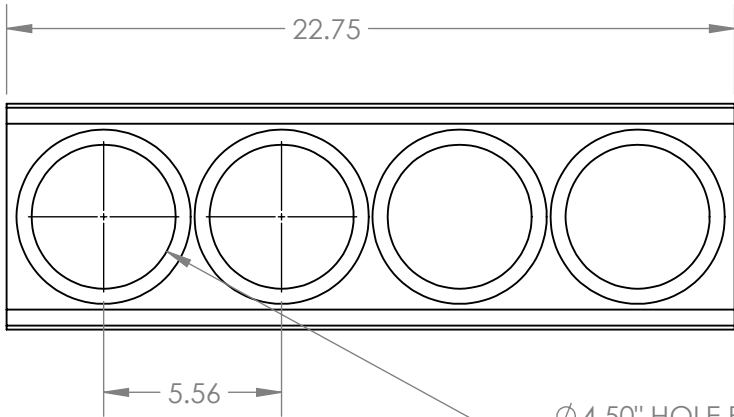
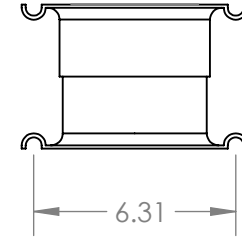
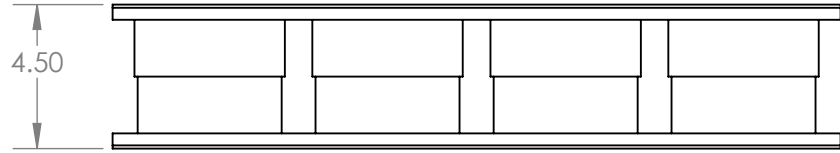
**Formex**<sup>®</sup>  
manufacturing, inc.

TITLE:  
**TERMINATOR**

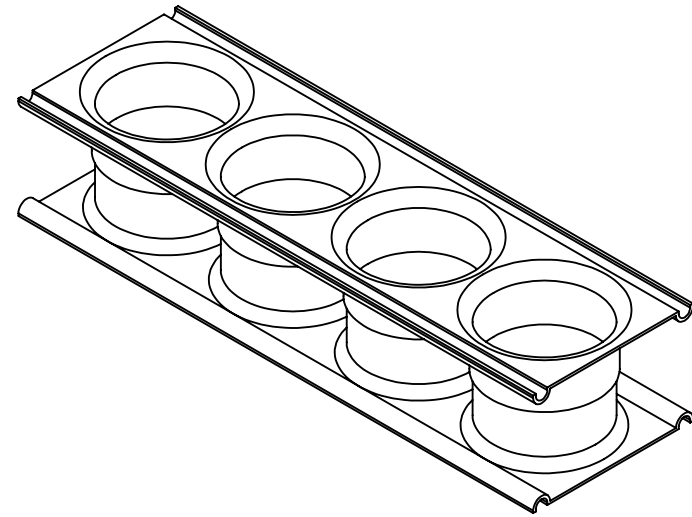
SIZE <b>A</b>	DWG. NO. FX-3753-A	REV <b>A</b>
------------------	-----------------------	-----------------

SCALE: 1:6 SHEET 161 OF 314

# T4A4-1010-4 1/2 4.50 SW



Ø 4.50" HOLE FOR  
4" IPS CONDUIT



**PROPRIETARY AND CONFIDENTIAL**  
THE INFORMATION CONTAINED IN THIS DRAWING IS THE SOLE PROPERTY OF FORMEX MANUFACTURING. ANY REPRODUCTION IN PART OR AS A WHOLE WITHOUT THE WRITTEN PERMISSION OF FORMEX MANUFACTURING IS PROHIBITED.

UNLESS OTHERWISE SPECIFIED:		NAME	DATE
DIMENSIONS ARE IN INCHES TOLERANCES: FRACTIONAL ±1/32" ANGULAR: ±2° TWO PLACE DECIMAL ±0.03" THREE PLACE DECIMAL ±0.010"	DRAWN	HKF	6/28/2024
	CHECKED		
	ENG APPR.		
	MFG APPR.		
	Q.A.		
INTERPRET GEOMETRIC TOLERANCING PER:	COMMENTS:		
MATERIAL	ABS		
FINISH	GRAY / SMOOTH		
DO NOT SCALE DRAWING			

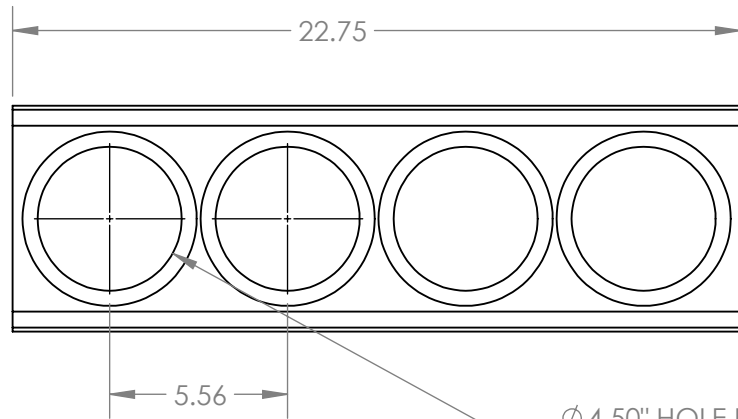
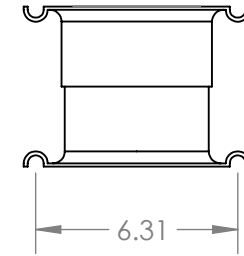
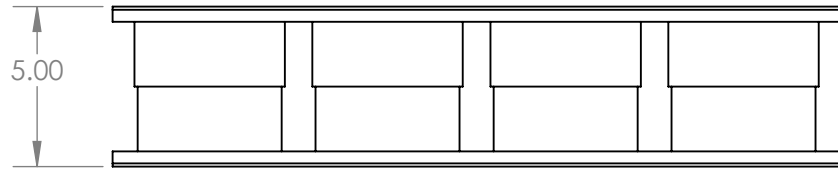
**Formex**<sup>®</sup>  
manufacturing, inc.

TITLE:  
**TERMINATOR**

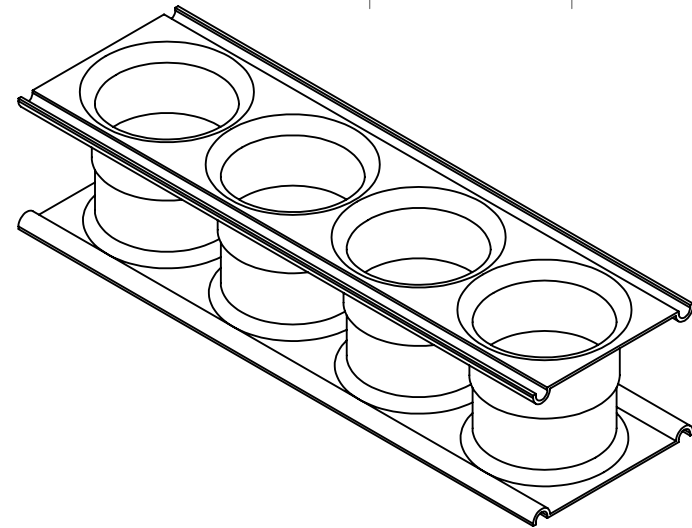
SIZE <b>A</b>	DWG. NO. FX-3753-A	REV <b>A</b>
------------------	-----------------------	-----------------

SCALE: 1:6 SHEET 162 OF 314

# T4A4-1010-5SW



Ø 4.50" HOLE FOR  
4" IPS CONDUIT



**PROPRIETARY AND CONFIDENTIAL**  
THE INFORMATION CONTAINED IN THIS DRAWING IS THE SOLE PROPERTY OF FORMEX MANUFACTURING. ANY REPRODUCTION IN PART OR AS A WHOLE WITHOUT THE WRITTEN PERMISSION OF FORMEX MANUFACTURING IS PROHIBITED.

UNLESS OTHERWISE SPECIFIED:		NAME	DATE
DIMENSIONS ARE IN INCHES TOLERANCES: FRACTIONAL ±1/32" ANGULAR: ±2° TWO PLACE DECIMAL ±0.03" THREE PLACE DECIMAL ±0.010"	DRAWN	HKF	6/28/2024
	CHECKED		
	ENG APPR.		
	MFG APPR.		
	Q.A.		
INTERPRET GEOMETRIC TOLERANCING PER:	COMMENTS:		
MATERIAL	ABS		
FINISH	GRAY / SMOOTH		
DO NOT SCALE DRAWING			

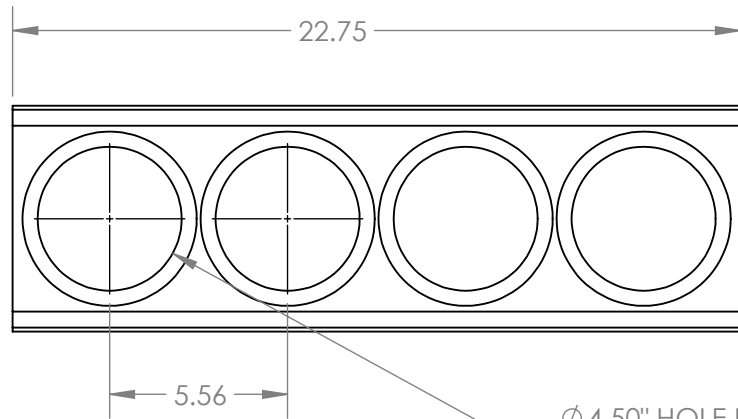
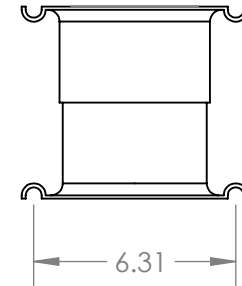
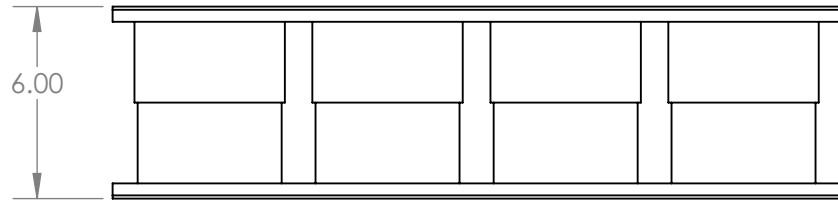
**Formex**<sup>®</sup>  
manufacturing, inc.

TITLE:  
**TERMINATOR**

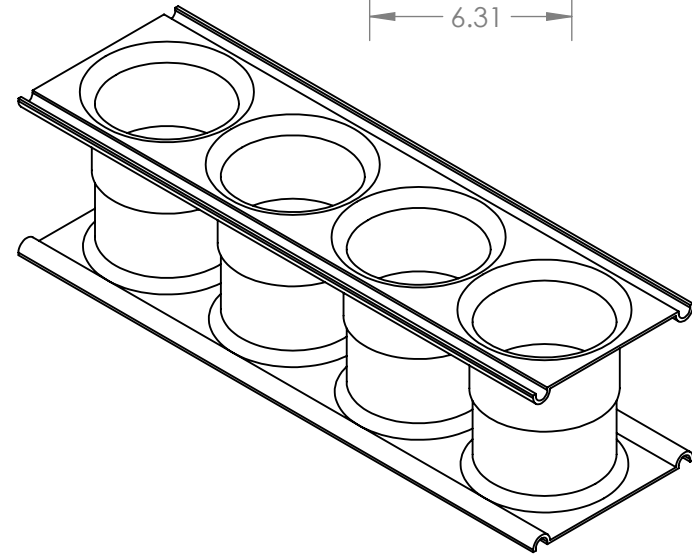
SIZE <b>A</b>	DWG. NO. FX-3753-A	REV <b>A</b>
------------------	-----------------------	-----------------

SCALE: 1:6 SHEET 163 OF 314

# T4A4-1010-6SW



Ø 4.50" HOLE FOR  
4" IPS CONDUIT



**PROPRIETARY AND CONFIDENTIAL**  
THE INFORMATION CONTAINED IN THIS DRAWING IS THE SOLE PROPERTY OF FORMEX MANUFACTURING. ANY REPRODUCTION IN PART OR AS A WHOLE WITHOUT THE WRITTEN PERMISSION OF FORMEX MANUFACTURING IS PROHIBITED.

UNLESS OTHERWISE SPECIFIED:		NAME	DATE
DIMENSIONS ARE IN INCHES TOLERANCES: FRACTIONAL ±1/32" ANGULAR: ±2° TWO PLACE DECIMAL ±0.03" THREE PLACE DECIMAL ±0.010"	DRAWN	HKF	6/28/2024
	CHECKED		
	ENG APPR.		
	MFG APPR.		
INTERPRET GEOMETRIC TOLERANCING PER:	Q.A.		
MATERIAL ABS	COMMENTS:		
FINISH GRAY / SMOOTH			
DO NOT SCALE DRAWING			

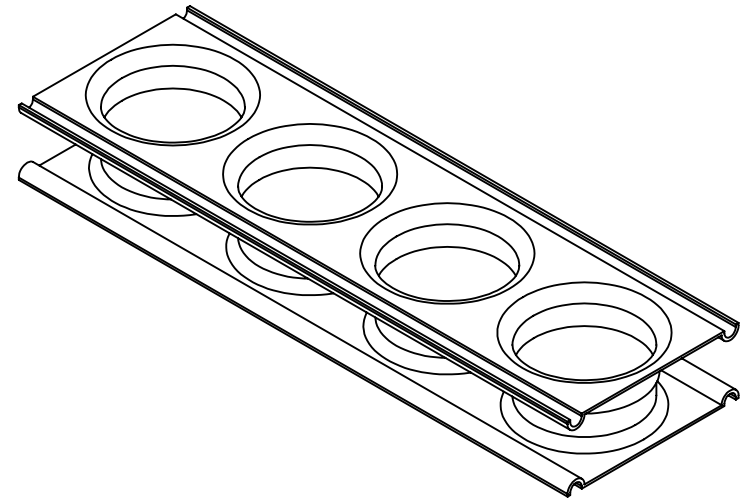
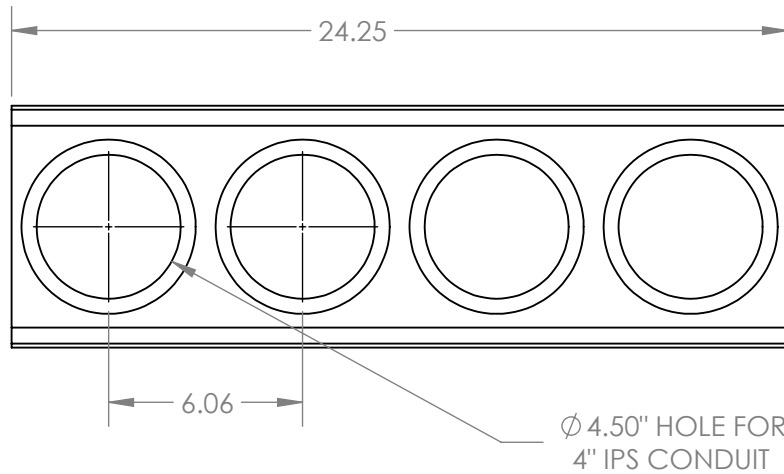
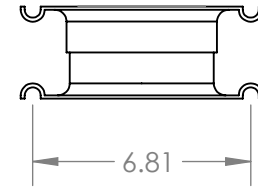
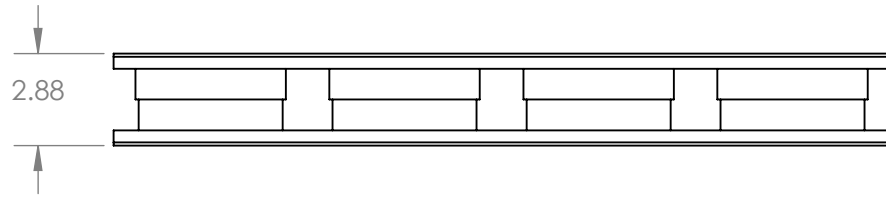
**Formex**<sup>®</sup>  
manufacturing, inc.

TITLE:  
**TERMINATOR**

SIZE <b>A</b>	DWG. NO. FX-3753-A	REV <b>A</b>
------------------	-----------------------	-----------------

SCALE: 1:6 SHEET 164 OF 314

# T4A4-1515-2 7/8SW



**PROPRIETARY AND CONFIDENTIAL**  
 THE INFORMATION CONTAINED IN THIS DRAWING IS THE SOLE PROPERTY OF FORMEX MANUFACTURING. ANY REPRODUCTION IN PART OR AS A WHOLE WITHOUT THE WRITTEN PERMISSION OF FORMEX MANUFACTURING IS PROHIBITED.

UNLESS OTHERWISE SPECIFIED:		NAME	DATE
DIMENSIONS ARE IN INCHES TOLERANCES: FRACTIONAL $\pm 1/32"$ ANGULAR: $\pm 2^\circ$ TWO PLACE DECIMAL $\pm 0.03"$ THREE PLACE DECIMAL $\pm 0.010"$	DRAWN	HKF	6/28/2024
	CHECKED		
	ENG APPR.		
	MFG APPR.		
INTERPRET GEOMETRIC TOLERANCING PER:	Q.A.		
MATERIAL ABS	COMMENTS:		
FINISH GRAY / SMOOTH			
DO NOT SCALE DRAWING			

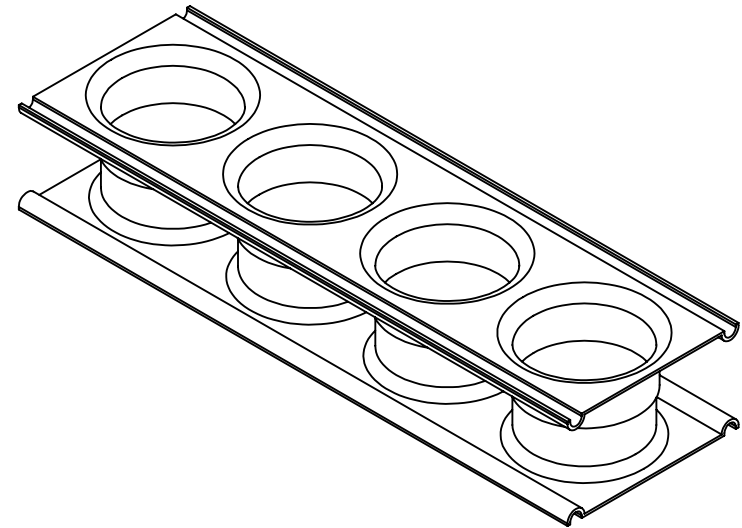
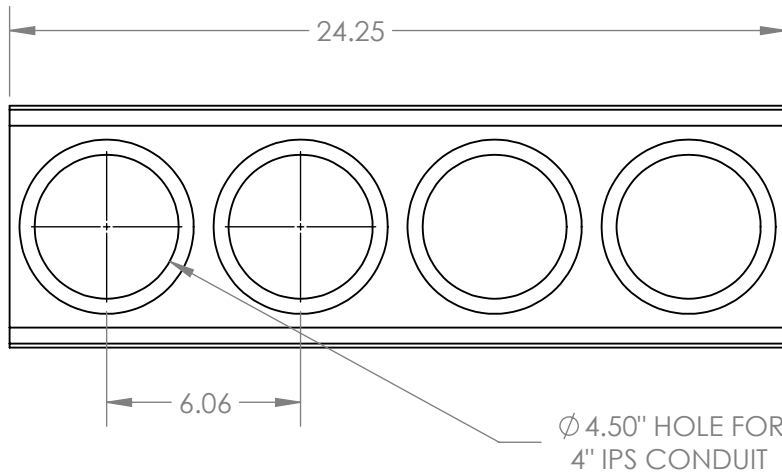
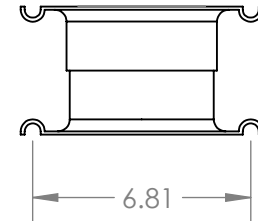
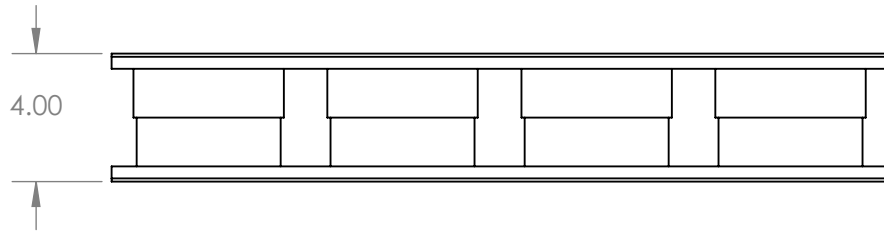
**Formex**<sup>®</sup>  
 manufacturing, inc.

TITLE:  
**TERMINATOR**

SIZE <b>A</b>	DWG. NO. FX-3753-A	REV <b>A</b>
------------------	-----------------------	-----------------

SCALE: 1:6 SHEET 165 OF 314

# T4A4-1515-4SW



**PROPRIETARY AND CONFIDENTIAL**  
 THE INFORMATION CONTAINED IN THIS DRAWING IS THE SOLE PROPERTY OF FORMEX MANUFACTURING. ANY REPRODUCTION IN PART OR AS A WHOLE WITHOUT THE WRITTEN PERMISSION OF FORMEX MANUFACTURING IS PROHIBITED.

UNLESS OTHERWISE SPECIFIED:	NAME	DATE
DIMENSIONS ARE IN INCHES	DRAWN	HKF 6/28/2024
TOLERANCES:	CHECKED	
FRACTIONAL: $\pm 1/32"$	ENG APPR.	
ANGULAR: $\pm 2^\circ$	MFG APPR.	
TWO PLACE DECIMAL $\pm 0.03"$	Q.A.	
THREE PLACE DECIMAL $\pm 0.010"$	COMMENTS:	
INTERPRET GEOMETRIC TOLERANCING PER:		
MATERIAL		
ABS		
FINISH		
GRAY / SMOOTH		
DO NOT SCALE DRAWING		

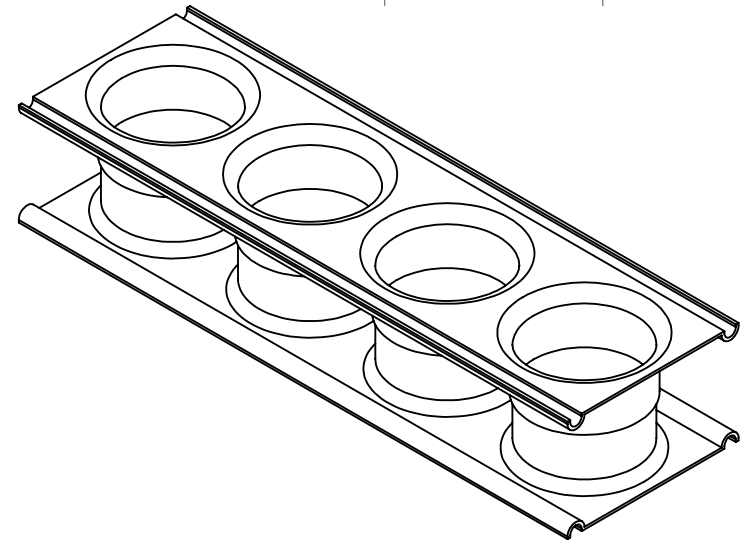
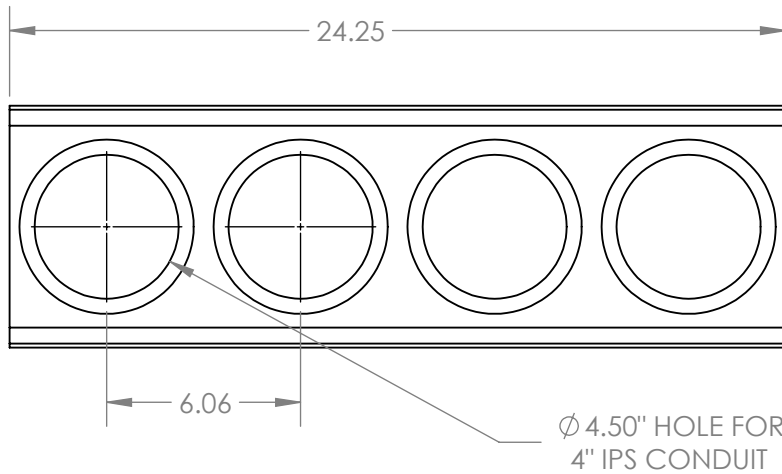
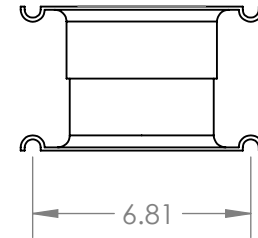
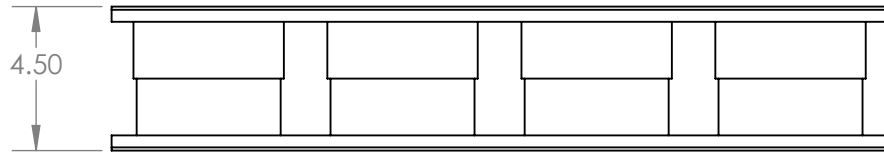
**Formex**<sup>®</sup>  
 manufacturing, inc.

TITLE:  
**TERMINATOR**

SIZE	DWG. NO.	REV
<b>A</b>	FX-3753-A	<b>A</b>

SCALE: 1:6 SHEET 166 OF 314

# T4A4-1515-4 1/2SW



**PROPRIETARY AND CONFIDENTIAL**  
THE INFORMATION CONTAINED IN THIS DRAWING IS THE SOLE PROPERTY OF FORMEX MANUFACTURING. ANY REPRODUCTION IN PART OR AS A WHOLE WITHOUT THE WRITTEN PERMISSION OF FORMEX MANUFACTURING IS PROHIBITED.

UNLESS OTHERWISE SPECIFIED:		NAME	DATE
DIMENSIONS ARE IN INCHES TOLERANCES: FRACTIONAL ±1/32" ANGULAR: ±2° TWO PLACE DECIMAL ±0.03" THREE PLACE DECIMAL ±0.010"	DRAWN	HKF	6/28/2024
	CHECKED		
	ENG APPR.		
	MFG APPR.		
INTERPRET GEOMETRIC TOLERANCING PER:	Q.A.		
MATERIAL ABS	COMMENTS:		
FINISH GRAY / SMOOTH			
DO NOT SCALE DRAWING			

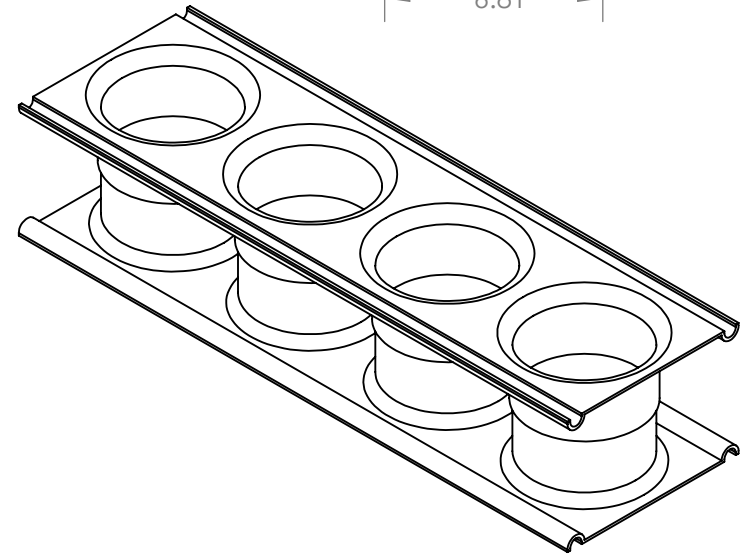
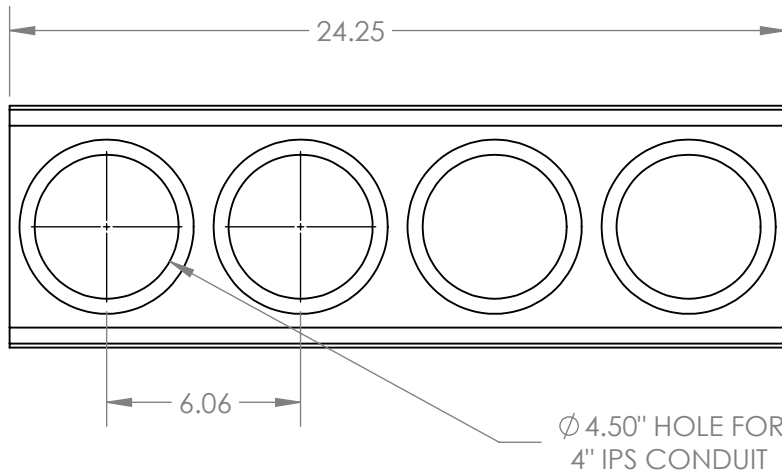
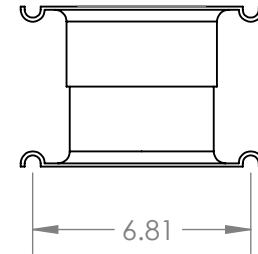
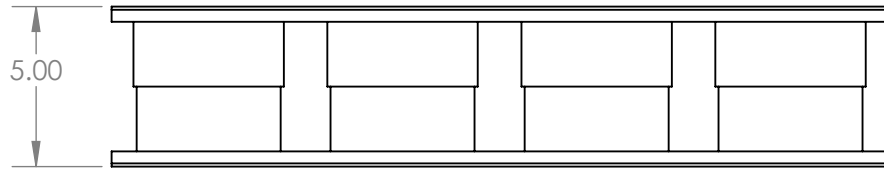
**Formex**<sup>®</sup>  
manufacturing, inc.

TITLE:  
**TERMINATOR**

SIZE <b>A</b>	DWG. NO. FX-3753-A	REV <b>A</b>
------------------	-----------------------	-----------------

SCALE: 1:6 SHEET 167 OF 314

# T4A4-1515-5SW



**PROPRIETARY AND CONFIDENTIAL**  
 THE INFORMATION CONTAINED IN THIS DRAWING IS THE SOLE PROPERTY OF FORMEX MANUFACTURING. ANY REPRODUCTION IN PART OR AS A WHOLE WITHOUT THE WRITTEN PERMISSION OF FORMEX MANUFACTURING IS PROHIBITED.

UNLESS OTHERWISE SPECIFIED:		NAME	DATE
DIMENSIONS ARE IN INCHES TOLERANCES: FRACTIONAL $\pm 1/32"$ ANGULAR: $\pm 2^\circ$ TWO PLACE DECIMAL $\pm 0.03"$ THREE PLACE DECIMAL $\pm 0.010"$	DRAWN	HKF	6/28/2024
	CHECKED		
	ENG APPR.		
	MFG APPR.		
INTERPRET GEOMETRIC TOLERANCING PER:	Q.A.		
MATERIAL ABS	COMMENTS:		
FINISH GRAY / SMOOTH			
DO NOT SCALE DRAWING			

**Formex**<sup>®</sup>  
 manufacturing, inc.

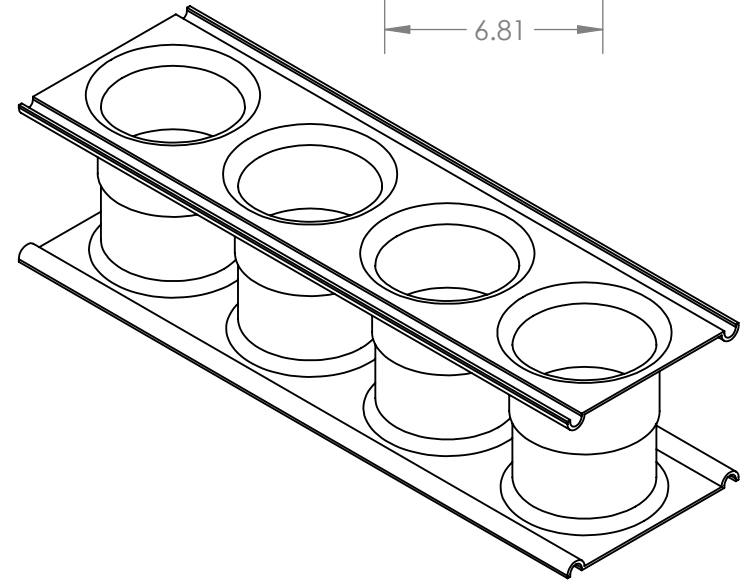
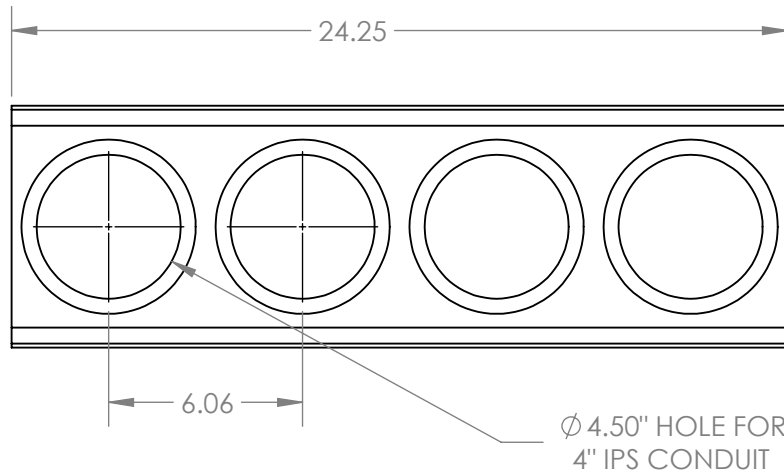
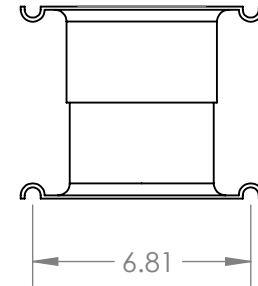
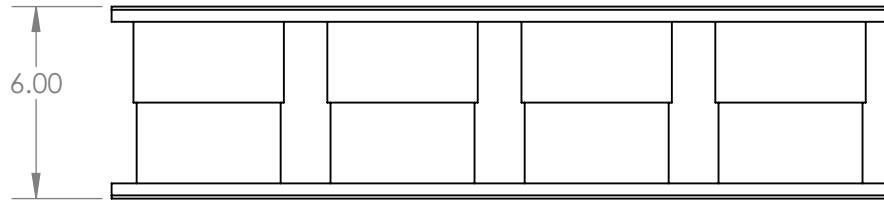
TITLE:  
**TERMINATOR**

SIZE <b>A</b>	DWG. NO. FX-3753-A	REV <b>A</b>
------------------	-----------------------	-----------------

SCALE: 1:6 SHEET 168 OF 314



# T4A4-1515-6SW



**PROPRIETARY AND CONFIDENTIAL**  
 THE INFORMATION CONTAINED IN THIS DRAWING IS THE SOLE PROPERTY OF FORMEX MANUFACTURING. ANY REPRODUCTION IN PART OR AS A WHOLE WITHOUT THE WRITTEN PERMISSION OF FORMEX MANUFACTURING IS PROHIBITED.

UNLESS OTHERWISE SPECIFIED:		NAME	DATE
DIMENSIONS ARE IN INCHES TOLERANCES: FRACTIONAL $\pm 1/32"$ ANGULAR: $\pm 2^\circ$ TWO PLACE DECIMAL $\pm 0.03"$ THREE PLACE DECIMAL $\pm 0.010"$	DRAWN	HKF	6/28/2024
	CHECKED		
	ENG APPR.		
	MFG APPR.		
INTERPRET GEOMETRIC TOLERANCING PER:	Q.A.		
MATERIAL ABS	COMMENTS:		
FINISH GRAY / SMOOTH			
DO NOT SCALE DRAWING			

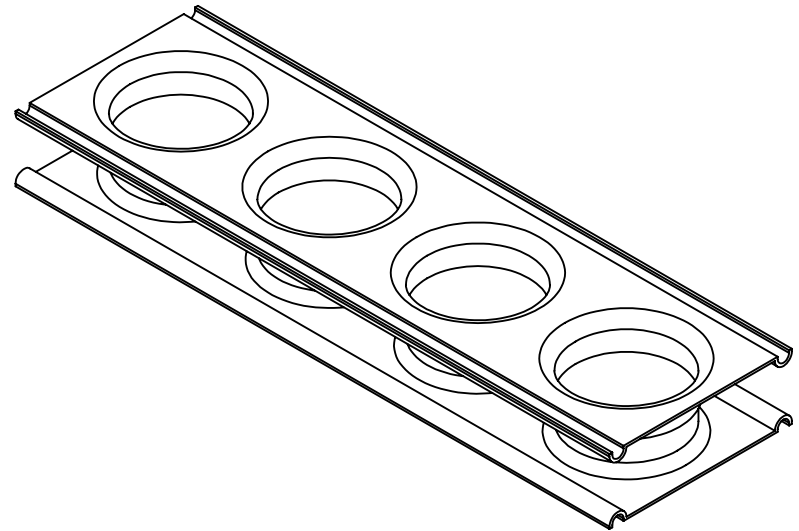
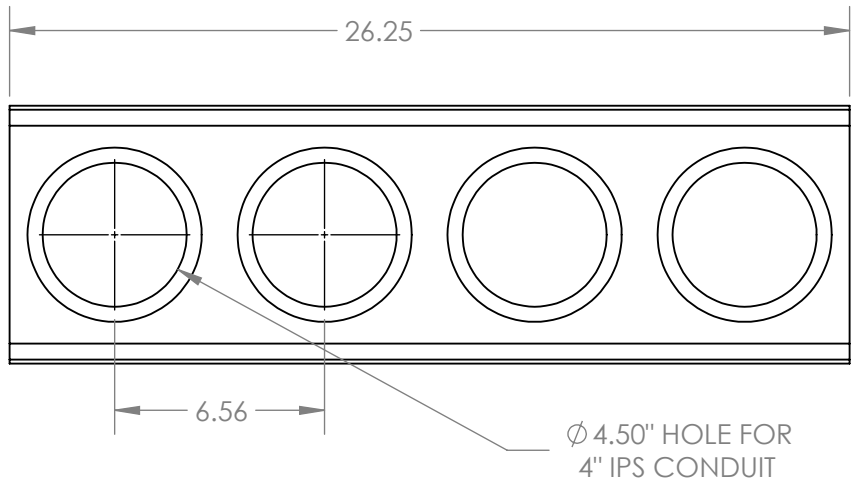
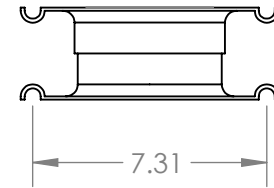
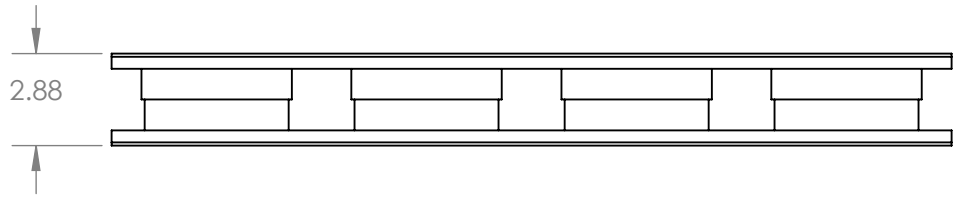
**Formex**<sup>®</sup>  
 manufacturing, inc.

TITLE:  
**TERMINATOR**

SIZE <b>A</b>	DWG. NO. FX-3753-A	REV <b>A</b>
------------------	-----------------------	-----------------

SCALE: 1:6 SHEET 169 OF 314

# T4A4-2020-2 7/8SW



**PROPRIETARY AND CONFIDENTIAL**  
 THE INFORMATION CONTAINED IN THIS DRAWING IS THE SOLE PROPERTY OF FORMEX MANUFACTURING. ANY REPRODUCTION IN PART OR AS A WHOLE WITHOUT THE WRITTEN PERMISSION OF FORMEX MANUFACTURING IS PROHIBITED.

UNLESS OTHERWISE SPECIFIED:		NAME	DATE
DIMENSIONS ARE IN INCHES	DRAWN	HKF	6/28/2024
TOLERANCES:	CHECKED		
FRACTIONAL $\pm 1/32"$	ENG APPR.		
ANGULAR: $\pm 2^\circ$	MFG APPR.		
TWO PLACE DECIMAL $\pm 0.03"$	Q.A.		
THREE PLACE DECIMAL $\pm 0.010"$	COMMENTS:		
INTERPRET GEOMETRIC TOLERANCING PER:			
MATERIAL			
ABS			
FINISH			
GRAY / SMOOTH			
DO NOT SCALE DRAWING			

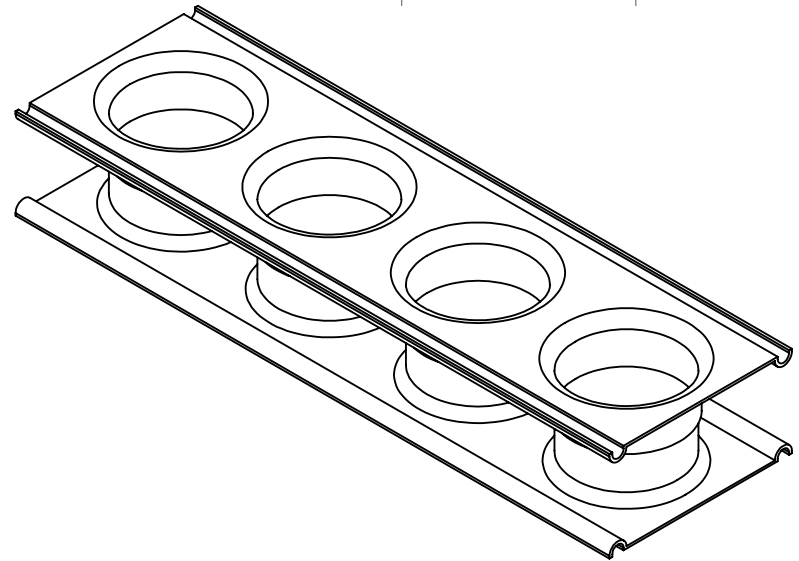
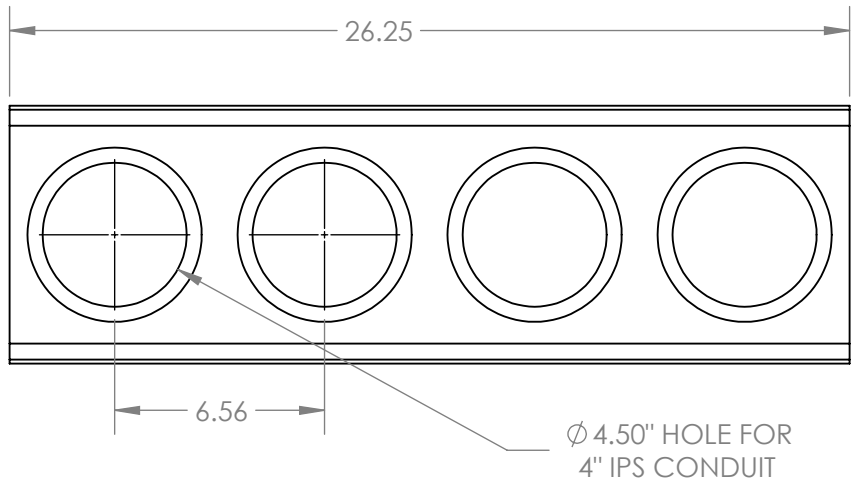
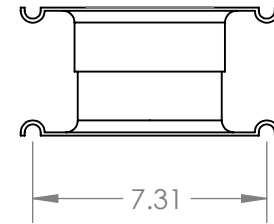
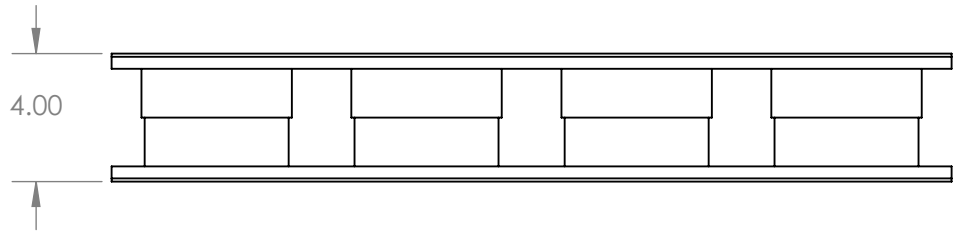
**Formex**<sup>®</sup>  
 manufacturing, inc.

TITLE:  
**TERMINATOR**

SIZE <b>A</b>	DWG. NO. FX-3753-A	REV <b>A</b>
------------------	-----------------------	-----------------

SCALE: 1:6 SHEET 170 OF 314

# T4A4-2020-4SW



**PROPRIETARY AND CONFIDENTIAL**  
THE INFORMATION CONTAINED IN THIS DRAWING IS THE SOLE PROPERTY OF FORMEX MANUFACTURING. ANY REPRODUCTION IN PART OR AS A WHOLE WITHOUT THE WRITTEN PERMISSION OF FORMEX MANUFACTURING IS PROHIBITED.

UNLESS OTHERWISE SPECIFIED:		NAME	DATE
DIMENSIONS ARE IN INCHES TOLERANCES: FRACTIONAL ±1/32" ANGULAR: ±2° TWO PLACE DECIMAL ±0.03" THREE PLACE DECIMAL ±0.010"	DRAWN	HKF	6/28/2024
	CHECKED		
	ENG APPR.		
	MFG APPR.		
INTERPRET GEOMETRIC TOLERANCING PER:	Q.A.		
MATERIAL ABS	COMMENTS:		
FINISH GRAY / SMOOTH			
DO NOT SCALE DRAWING			

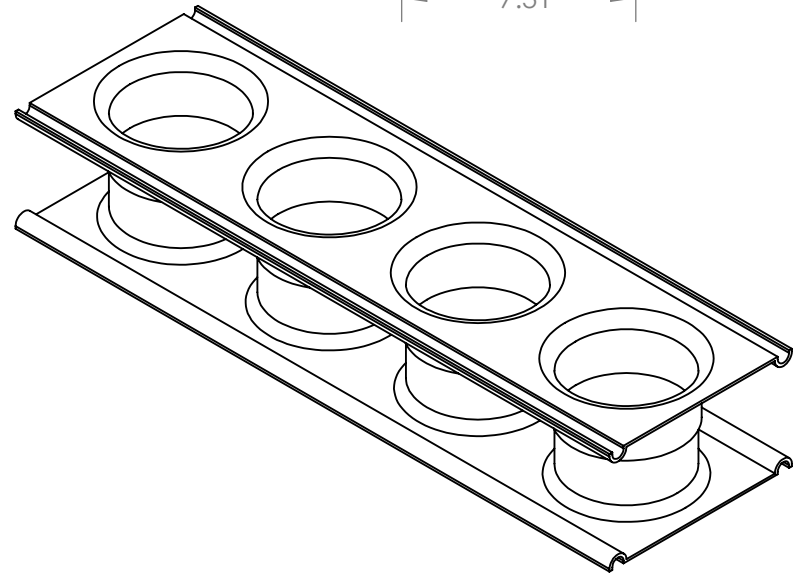
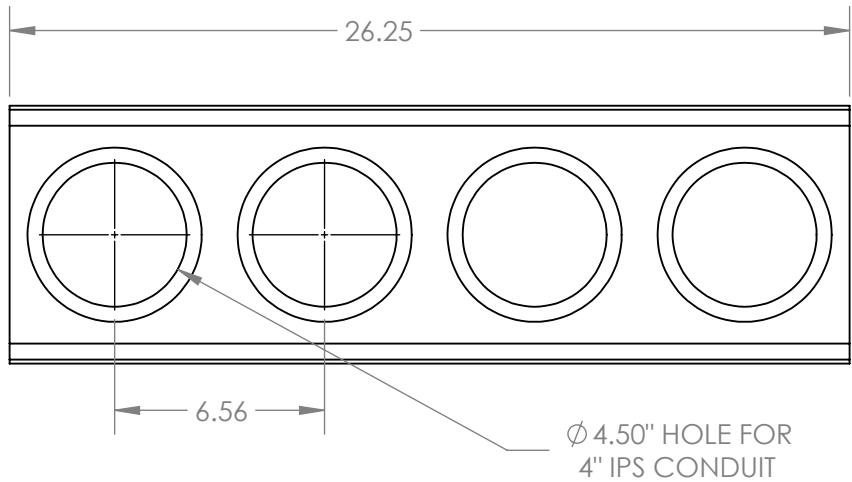
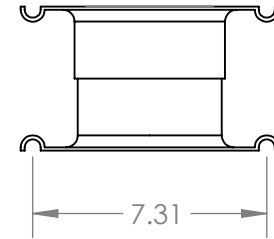
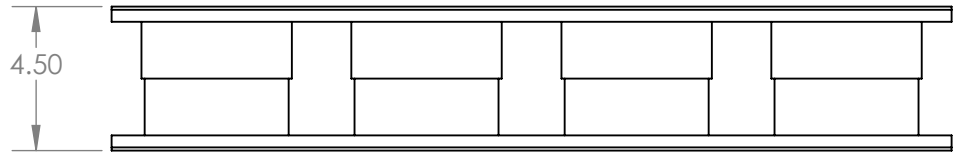
**Formex**<sup>®</sup>  
manufacturing, inc.

TITLE:  
**TERMINATOR**

SIZE <b>A</b>	DWG. NO. FX-3753-A	REV <b>A</b>
------------------	-----------------------	-----------------

SCALE: 1:6 SHEET 171 OF 314

# T4A4-2020-4 1/2SW



**PROPRIETARY AND CONFIDENTIAL**  
THE INFORMATION CONTAINED IN THIS DRAWING IS THE SOLE PROPERTY OF FORMEX MANUFACTURING. ANY REPRODUCTION IN PART OR AS A WHOLE WITHOUT THE WRITTEN PERMISSION OF FORMEX MANUFACTURING IS PROHIBITED.

UNLESS OTHERWISE SPECIFIED:		NAME	DATE
DIMENSIONS ARE IN INCHES TOLERANCES: FRACTIONAL ±1/32" ANGULAR: ±2° TWO PLACE DECIMAL ±0.03" THREE PLACE DECIMAL ±0.010"	DRAWN	HKF	6/28/2024
	CHECKED		
	ENG APPR.		
	MFG APPR.		
INTERPRET GEOMETRIC TOLERANCING PER:	Q.A.		
MATERIAL ABS	COMMENTS:		
FINISH GRAY / SMOOTH			
DO NOT SCALE DRAWING			

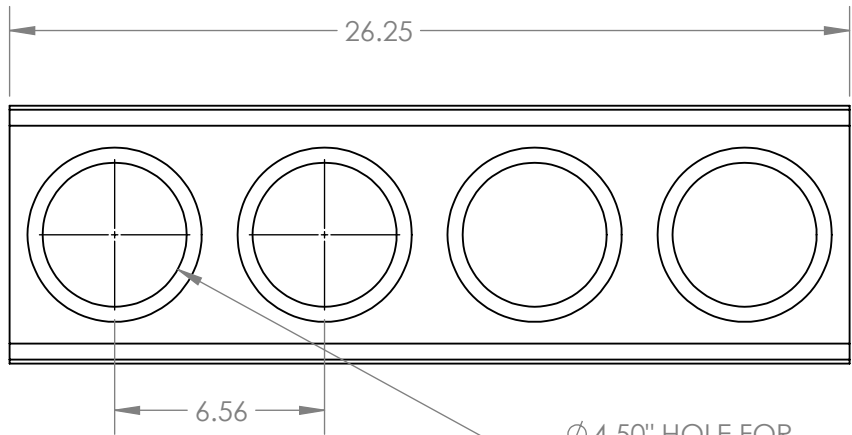
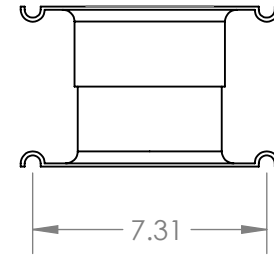
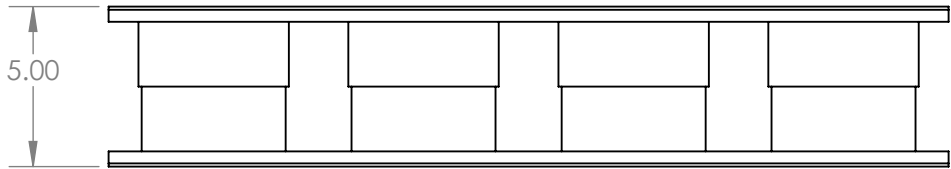
**Formex**<sup>®</sup>  
manufacturing, inc.

TITLE:  
**TERMINATOR**

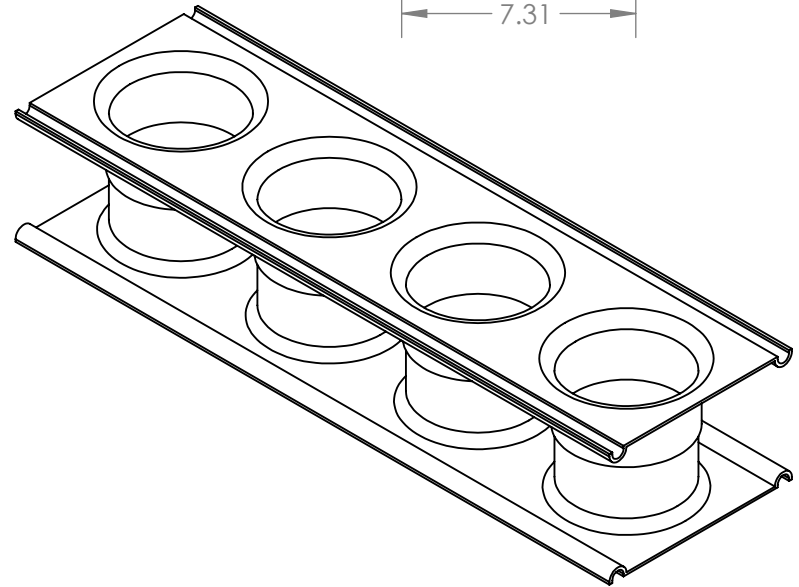
SIZE <b>A</b>	DWG. NO. FX-3753-A	REV <b>A</b>
------------------	-----------------------	-----------------

SCALE: 1:6 SHEET 172 OF 314

# T4A4-2020-5SW



Ø 4.50" HOLE FOR  
4" IPS CONDUIT



**PROPRIETARY AND CONFIDENTIAL**  
THE INFORMATION CONTAINED IN THIS DRAWING IS THE SOLE PROPERTY OF FORMEX MANUFACTURING. ANY REPRODUCTION IN PART OR AS A WHOLE WITHOUT THE WRITTEN PERMISSION OF FORMEX MANUFACTURING IS PROHIBITED.

UNLESS OTHERWISE SPECIFIED:		NAME	DATE
DIMENSIONS ARE IN INCHES TOLERANCES: FRACTIONAL ±1/32" ANGULAR: ±2° TWO PLACE DECIMAL ±0.03" THREE PLACE DECIMAL ±0.010"	DRAWN	HKF	6/28/2024
	CHECKED		
	ENG APPR.		
	MFG APPR.		
	Q.A.		
INTERPRET GEOMETRIC TOLERANCING PER:	COMMENTS:		
MATERIAL	ABS		
FINISH	GRAY / SMOOTH		
DO NOT SCALE DRAWING			

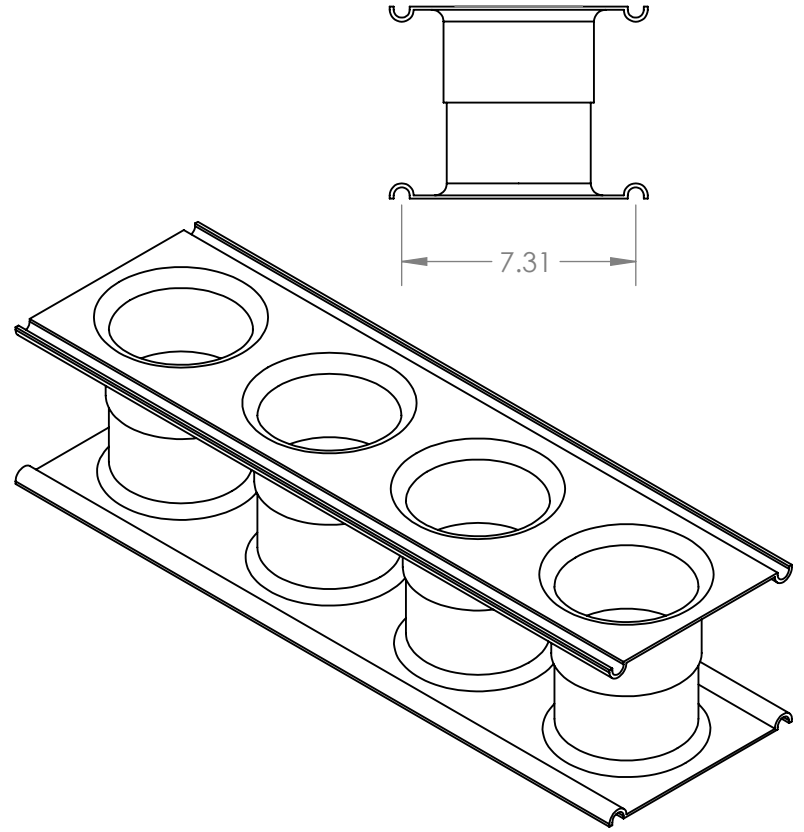
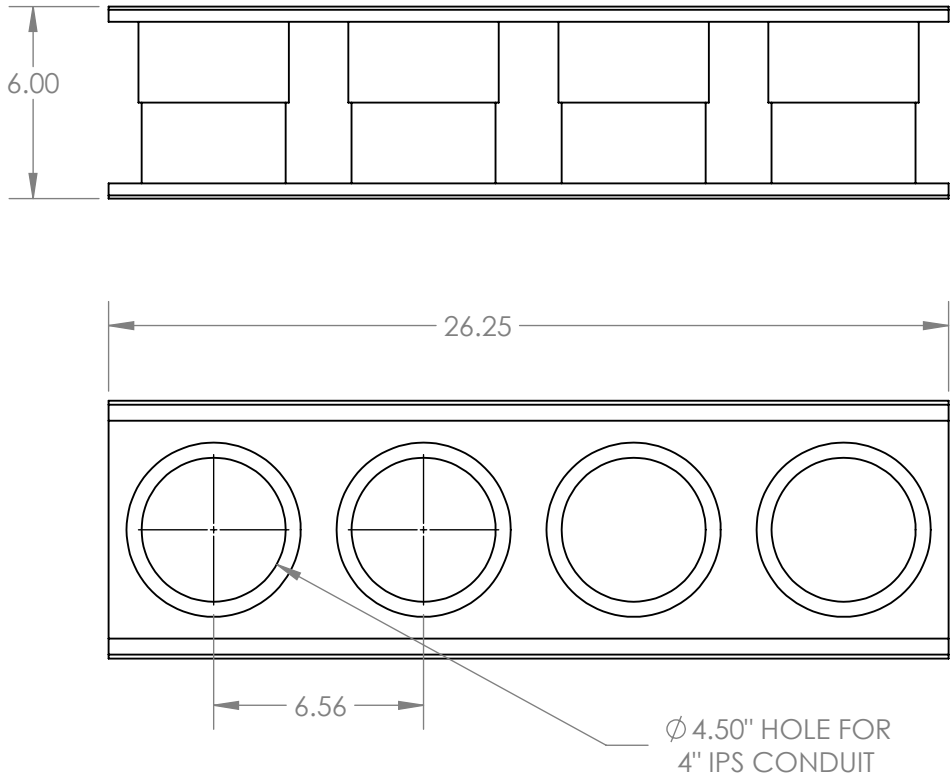
**Formex**<sup>®</sup>  
manufacturing, inc.

TITLE:  
**TERMINATOR**

SIZE <b>A</b>	DWG. NO. FX-3753-A	REV <b>A</b>
------------------	-----------------------	-----------------

SCALE: 1:6 SHEET 173 OF 314

# T4A4-2020-6SW



**PROPRIETARY AND CONFIDENTIAL**  
THE INFORMATION CONTAINED IN THIS DRAWING IS THE SOLE PROPERTY OF FORMEX MANUFACTURING. ANY REPRODUCTION IN PART OR AS A WHOLE WITHOUT THE WRITTEN PERMISSION OF FORMEX MANUFACTURING IS PROHIBITED.

UNLESS OTHERWISE SPECIFIED:		NAME	DATE
DIMENSIONS ARE IN INCHES TOLERANCES: FRACTIONAL ±1/32" ANGULAR: ±2° TWO PLACE DECIMAL ±0.03" THREE PLACE DECIMAL ±0.010"	DRAWN	HKF	6/28/2024
	CHECKED		
	ENG APPR.		
	MFG APPR.		
INTERPRET GEOMETRIC TOLERANCING PER:	Q.A.		
MATERIAL ABS	COMMENTS:		
FINISH GRAY / SMOOTH			
DO NOT SCALE DRAWING			

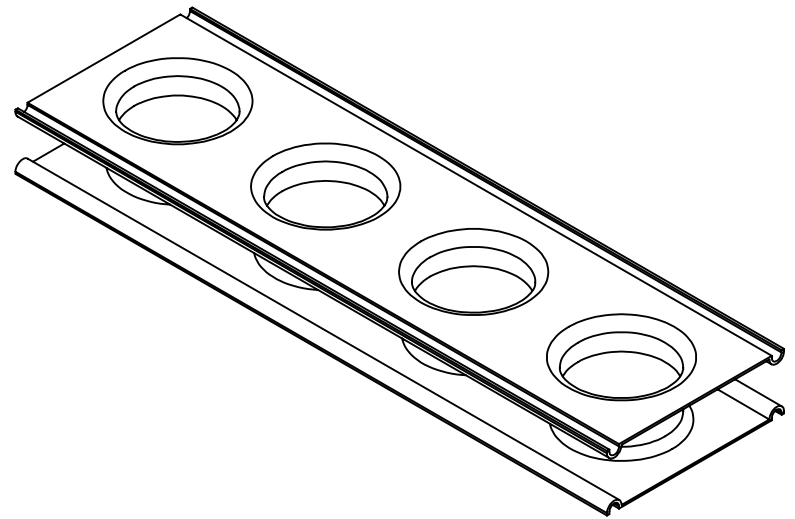
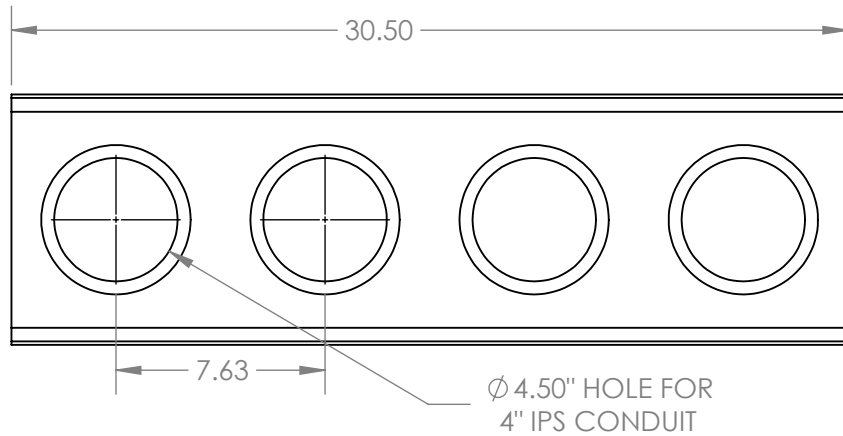
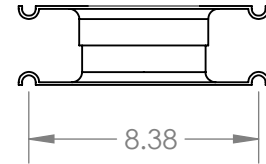
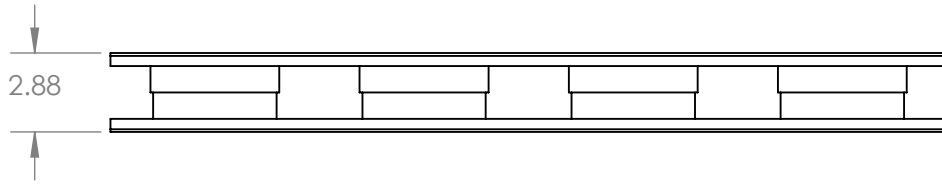
**Formex**<sup>®</sup>  
manufacturing, inc.

TITLE:  
**TERMINATOR**

SIZE <b>A</b>	DWG. NO. FX-3753-A	REV <b>A</b>
------------------	-----------------------	-----------------

SCALE: 1:6 SHEET 174 OF 314

# T4A4-3030-2 7/8SW



**PROPRIETARY AND CONFIDENTIAL**  
THE INFORMATION CONTAINED IN THIS DRAWING IS THE SOLE PROPERTY OF FORMEX MANUFACTURING. ANY REPRODUCTION IN PART OR AS A WHOLE WITHOUT THE WRITTEN PERMISSION OF FORMEX MANUFACTURING IS PROHIBITED.

UNLESS OTHERWISE SPECIFIED:		NAME	DATE
DIMENSIONS ARE IN INCHES TOLERANCES: FRACTIONAL ±1/32" ANGULAR: ±2° TWO PLACE DECIMAL ±0.03" THREE PLACE DECIMAL ±0.010"	DRAWN	HKF	6/28/2024
	CHECKED		
	ENG APPR.		
	MFG APPR.		
INTERPRET GEOMETRIC TOLERANCING PER:	Q.A.		
MATERIAL	COMMENTS:		
ABS			
FINISH			
GRAY / SMOOTH			
DO NOT SCALE DRAWING			

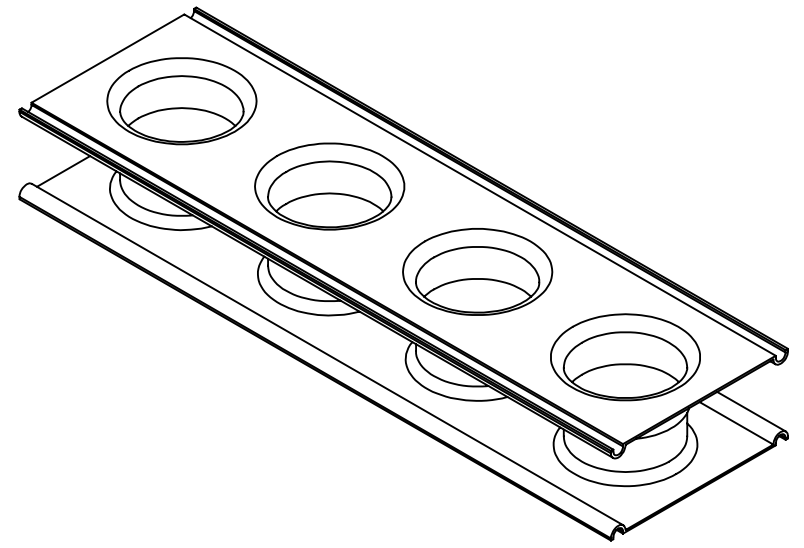
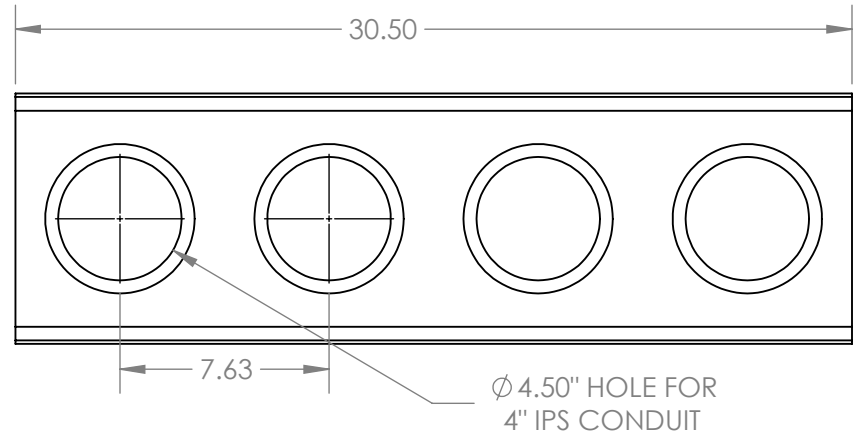
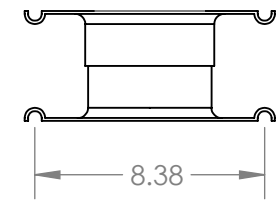
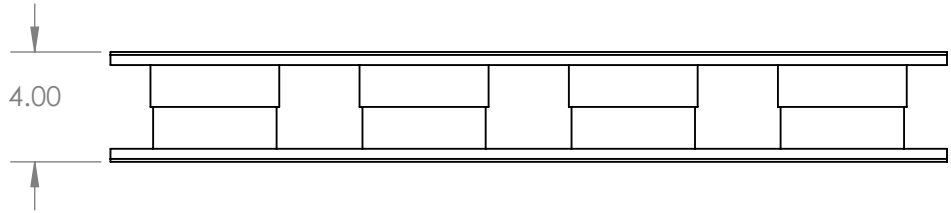
**Formex**<sup>®</sup>  
manufacturing, inc.

TITLE:  
**TERMINATOR**

SIZE <b>A</b>	DWG. NO. FX-3753-A	REV <b>A</b>
------------------	-----------------------	-----------------

SCALE: 1:7 SHEET 175 OF 314

# T4A4-3030-4SW



**PROPRIETARY AND CONFIDENTIAL**  
 THE INFORMATION CONTAINED IN THIS DRAWING IS THE SOLE PROPERTY OF FORMEX MANUFACTURING. ANY REPRODUCTION IN PART OR AS A WHOLE WITHOUT THE WRITTEN PERMISSION OF FORMEX MANUFACTURING IS PROHIBITED.

UNLESS OTHERWISE SPECIFIED:	NAME	DATE
DIMENSIONS ARE IN INCHES	DRAWN	HKF 6/28/2024
TOLERANCES:	CHECKED	
FRACTIONAL ±1/32"	ENG APPR.	
ANGULAR: ±2°	MFG APPR.	
TWO PLACE DECIMAL ±0.03"	Q.A.	
THREE PLACE DECIMAL ±0.010"	COMMENTS:	
INTERPRET GEOMETRIC TOLERANCING PER:		
MATERIAL		
ABS		
FINISH		
GRAY / SMOOTH		
DO NOT SCALE DRAWING		

**Formex**<sup>®</sup>  
 manufacturing, inc.

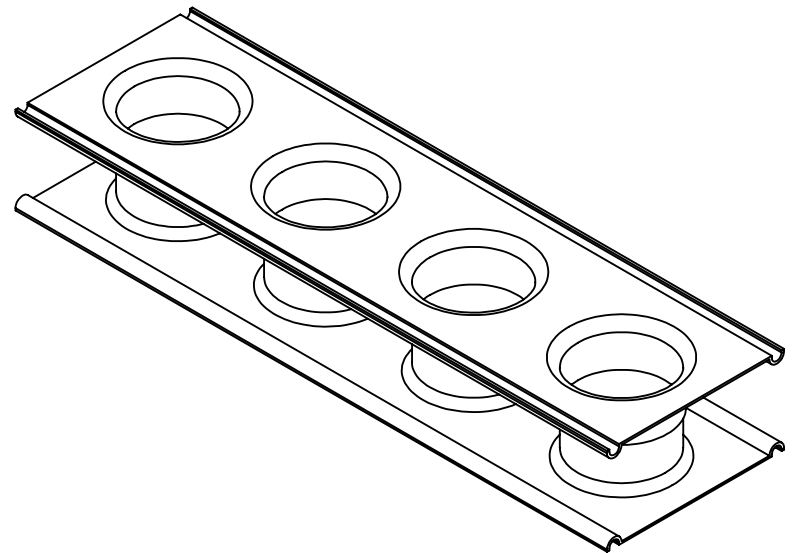
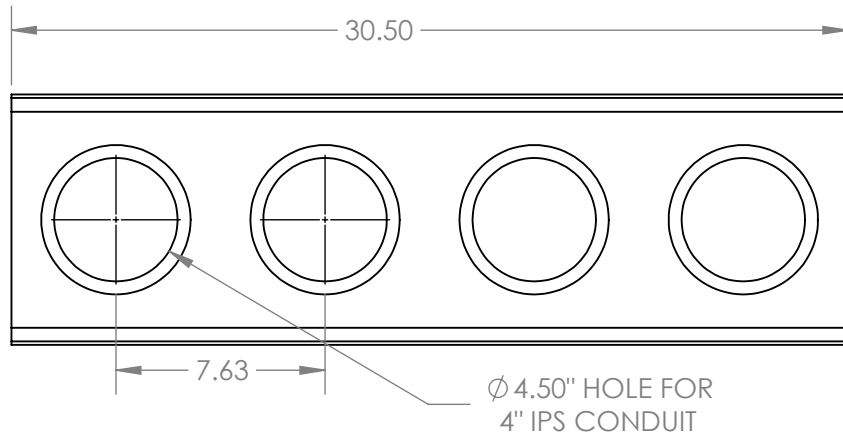
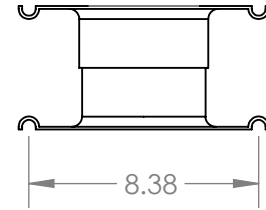
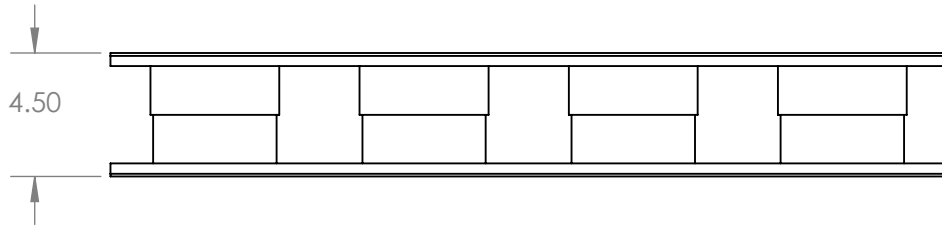
TITLE:  
**TERMINATOR**

SIZE	DWG. NO.	REV
<b>A</b>	FX-3753-A	<b>A</b>

SCALE: 1:7 SHEET 176 OF 314



# T4A4-3030-4 1/2SW



**PROPRIETARY AND CONFIDENTIAL**  
 THE INFORMATION CONTAINED IN THIS DRAWING IS THE SOLE PROPERTY OF FORMEX MANUFACTURING. ANY REPRODUCTION IN PART OR AS A WHOLE WITHOUT THE WRITTEN PERMISSION OF FORMEX MANUFACTURING IS PROHIBITED.

UNLESS OTHERWISE SPECIFIED:		NAME	DATE
DIMENSIONS ARE IN INCHES	DRAWN	HKF	6/28/2024
TOLERANCES:	CHECKED		
FRACTIONAL $\pm 1/32"$	ENG APPR.		
ANGULAR: $\pm 2^\circ$	MFG APPR.		
TWO PLACE DECIMAL $\pm 0.03"$	Q.A.		
THREE PLACE DECIMAL $\pm 0.010"$	COMMENTS:		
INTERPRET GEOMETRIC TOLERANCING PER:			
MATERIAL			
ABS			
FINISH			
GRAY / SMOOTH			
DO NOT SCALE DRAWING			

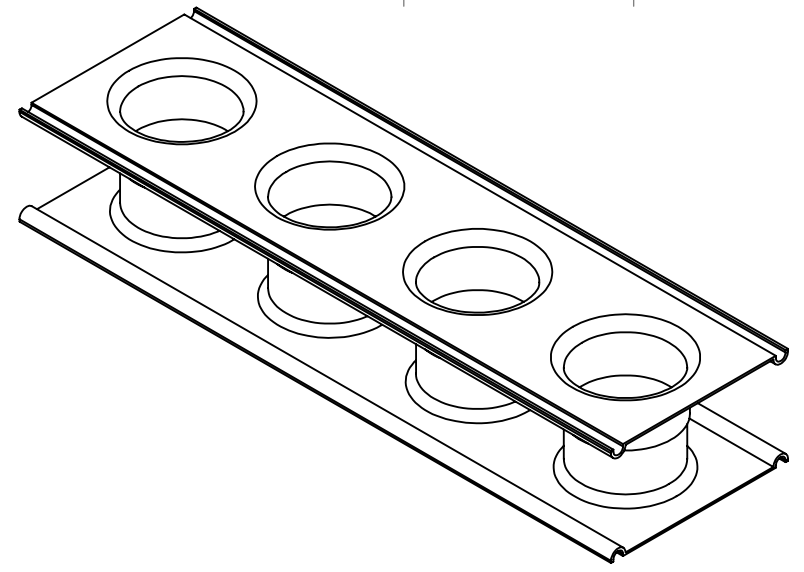
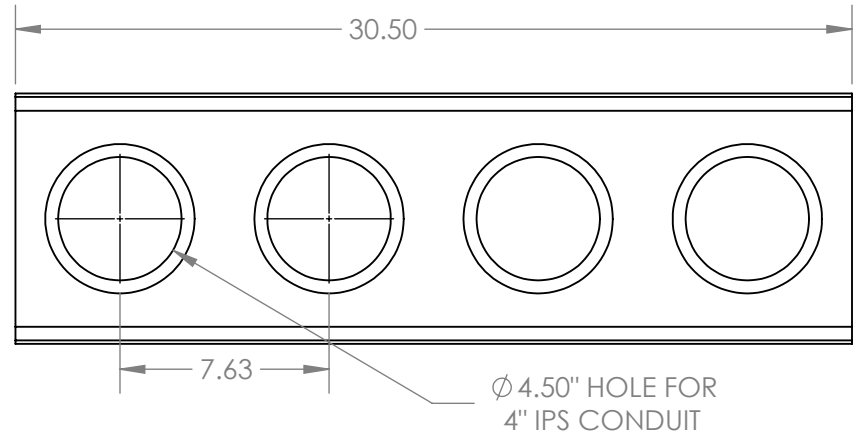
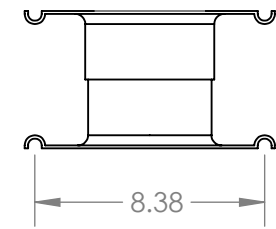
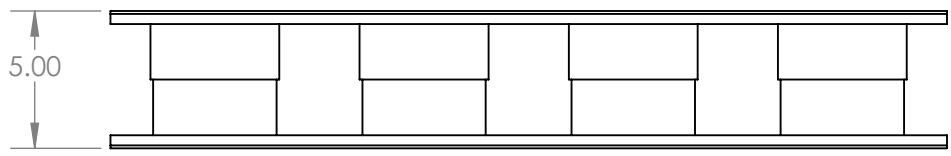
**Formex**<sup>®</sup>  
 manufacturing, inc.

TITLE:  
**TERMINATOR**

SIZE <b>A</b>	DWG. NO. FX-3753-A	REV <b>A</b>
------------------	-----------------------	-----------------

SCALE: 1:7 SHEET 177 OF 314

# T4A4-3030-5SW



**PROPRIETARY AND CONFIDENTIAL**  
 THE INFORMATION CONTAINED IN THIS DRAWING IS THE SOLE PROPERTY OF FORMEX MANUFACTURING. ANY REPRODUCTION IN PART OR AS A WHOLE WITHOUT THE WRITTEN PERMISSION OF FORMEX MANUFACTURING IS PROHIBITED.

UNLESS OTHERWISE SPECIFIED:	NAME	DATE
DIMENSIONS ARE IN INCHES	DRAWN	HKF 6/28/2024
TOLERANCES:	CHECKED	
FRACTIONAL ±1/32"	ENG APPR.	
ANGULAR: ±2°	MFG APPR.	
TWO PLACE DECIMAL ±0.03"	Q.A.	
THREE PLACE DECIMAL ±0.010"	COMMENTS:	
INTERPRET GEOMETRIC TOLERANCING PER:		
MATERIAL		
ABS		
FINISH		
GRAY / SMOOTH		
DO NOT SCALE DRAWING		

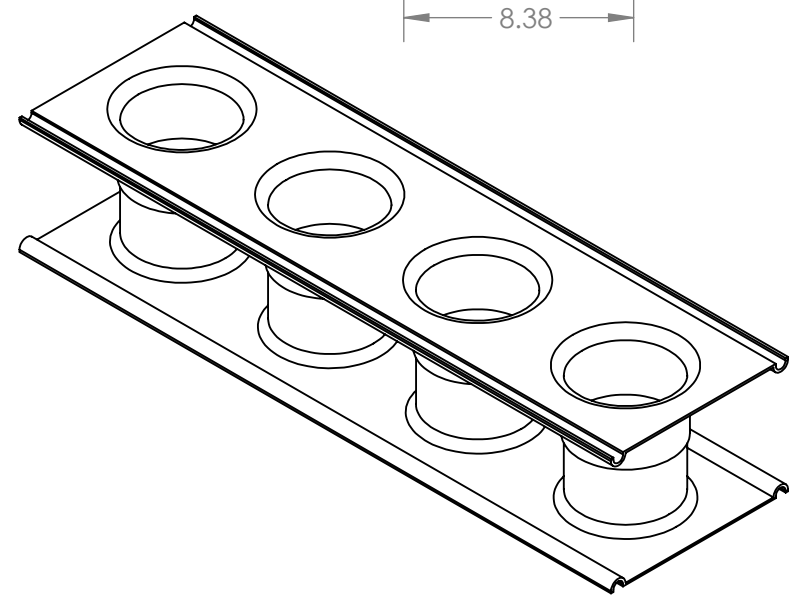
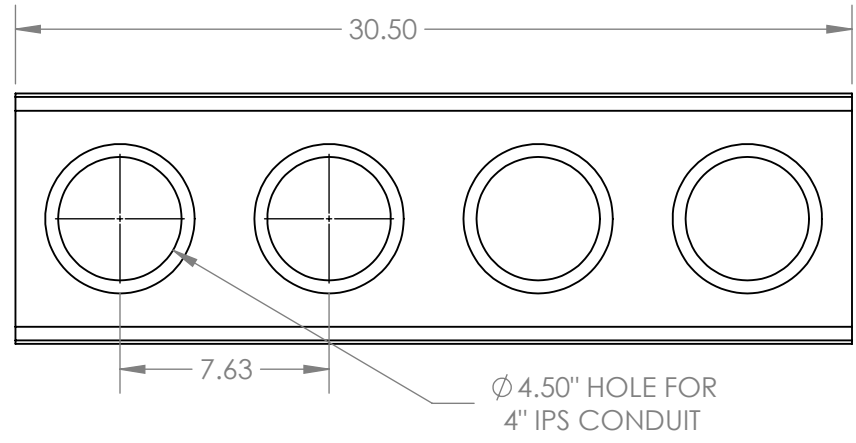
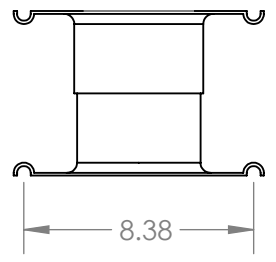
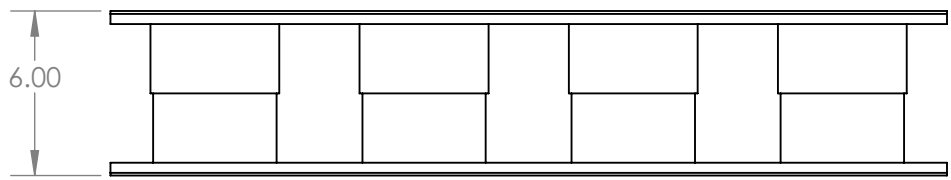
**Formex**<sup>®</sup>  
 manufacturing, inc.

TITLE:  
**TERMINATOR**

SIZE	DWG. NO.	REV
<b>A</b>	FX-3753-A	<b>A</b>

SCALE: 1:7 SHEET 178 OF 314

# T4A4-3030-6SW



**PROPRIETARY AND CONFIDENTIAL**  
 THE INFORMATION CONTAINED IN THIS DRAWING IS THE SOLE PROPERTY OF FORMEX MANUFACTURING. ANY REPRODUCTION IN PART OR AS A WHOLE WITHOUT THE WRITTEN PERMISSION OF FORMEX MANUFACTURING IS PROHIBITED.

UNLESS OTHERWISE SPECIFIED:		NAME	DATE
DIMENSIONS ARE IN INCHES	DRAWN	HKF	6/28/2024
TOLERANCES:	CHECKED		
FRACTIONAL ±1/32"	ENG APPR.		
ANGULAR: ±2°	MFG APPR.		
TWO PLACE DECIMAL ±0.03"	Q.A.		
THREE PLACE DECIMAL ±0.010"	COMMENTS:		
INTERPRET GEOMETRIC TOLERANCING PER:			
MATERIAL			
ABS			
FINISH			
GRAY / SMOOTH			
DO NOT SCALE DRAWING			

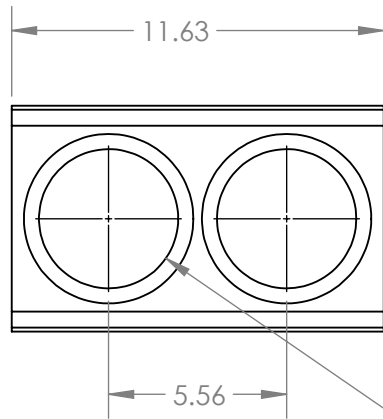
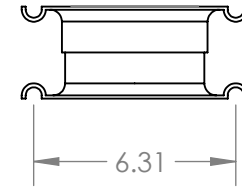
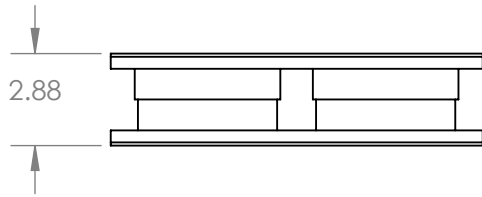
**Formex**<sup>®</sup>  
 manufacturing, inc.

TITLE:  
**TERMINATOR**

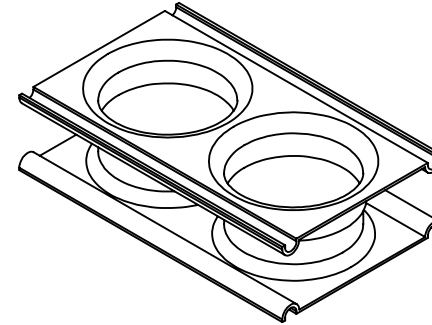
SIZE	DWG. NO.	REV
<b>A</b>	FX-3753-A	<b>A</b>

SCALE: 1:7 SHEET 179 OF 314

# T4T2-1010-2 7/8SW



Ø 4.35" HOLE FOR  
4" BELL TELEPHONE  
T CONDUIT



**PROPRIETARY AND CONFIDENTIAL**  
THE INFORMATION CONTAINED IN THIS DRAWING IS THE SOLE PROPERTY OF FORMEX MANUFACTURING. ANY REPRODUCTION IN PART OR AS A WHOLE WITHOUT THE WRITTEN PERMISSION OF FORMEX MANUFACTURING IS PROHIBITED.

UNLESS OTHERWISE SPECIFIED:	NAME	DATE
DIMENSIONS ARE IN INCHES	DRAWN	HKF 6/28/2024
TOLERANCES:	CHECKED	
FRACTIONAL ±1/32"	ENG APPR.	
ANGULAR: ±2°	MFG APPR.	
TWO PLACE DECIMAL ±0.03"	Q.A.	
THREE PLACE DECIMAL ±0.010"	COMMENTS:	
INTERPRET GEOMETRIC TOLERANCING PER:		
MATERIAL		
ABS		
FINISH		
GRAY / SMOOTH		
DO NOT SCALE DRAWING		

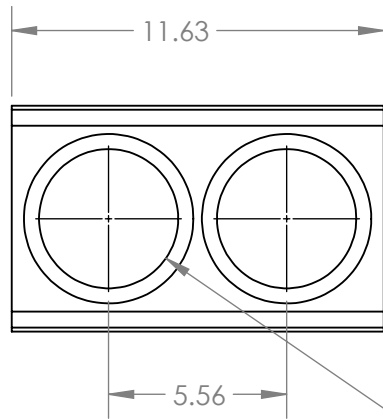
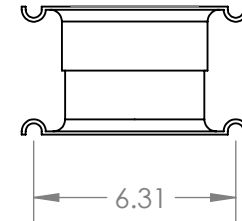
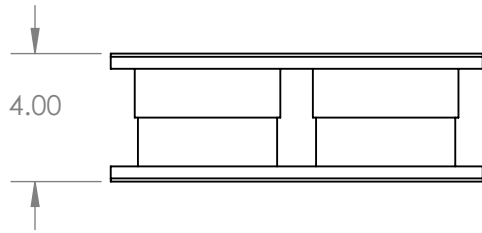
**Formex**<sup>®</sup>  
manufacturing, inc.

TITLE:  
**TERMINATOR**

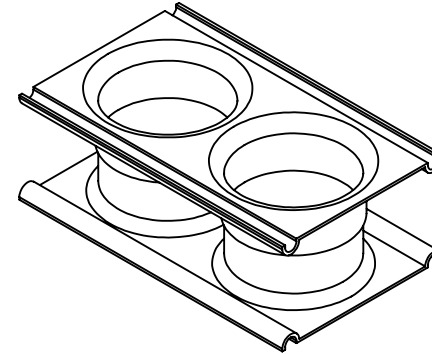
SIZE <b>A</b>	DWG. NO. FX-3753-A	REV <b>A</b>
------------------	-----------------------	-----------------

SCALE: 1:6 SHEET 180 OF 314

# T4T2-1010-4SW



Ø 4.35" HOLE FOR  
4" BELL TELEPHONE  
T CONDUIT



**PROPRIETARY AND CONFIDENTIAL**  
THE INFORMATION CONTAINED IN THIS DRAWING IS THE SOLE PROPERTY OF FORMEX MANUFACTURING. ANY REPRODUCTION IN PART OR AS A WHOLE WITHOUT THE WRITTEN PERMISSION OF FORMEX MANUFACTURING IS PROHIBITED.

UNLESS OTHERWISE SPECIFIED:

DIMENSIONS ARE IN INCHES  
TOLERANCES:  
FRACTIONAL  $\pm 1/32"$   
ANGULAR:  $\pm 2^\circ$   
TWO PLACE DECIMAL  $\pm 0.03"$   
THREE PLACE DECIMAL  $\pm 0.010"$

INTERPRET GEOMETRIC  
TOLERANCING PER:

MATERIAL  
ABS

FINISH  
GRAY / SMOOTH

DO NOT SCALE DRAWING

	NAME	DATE
DRAWN	HKF	6/28/2024
CHECKED		
ENG APPR.		
MFG APPR.		
Q.A.		

COMMENTS:

**Formex**<sup>®</sup>  
manufacturing, inc.

TITLE:

**TERMINATOR**

SIZE  
**A**

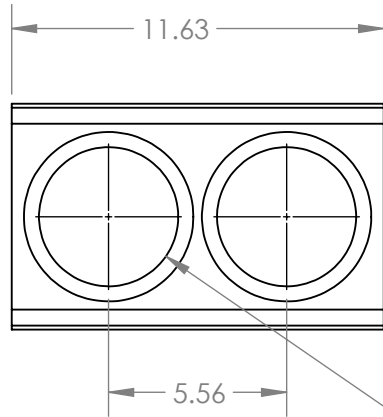
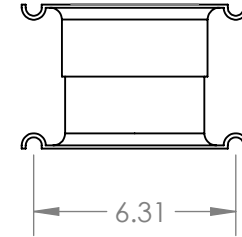
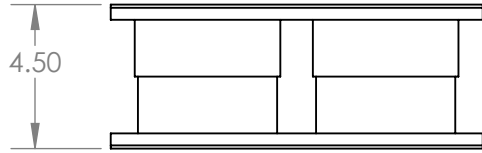
DWG. NO.  
FX-3753-A

REV  
**A**

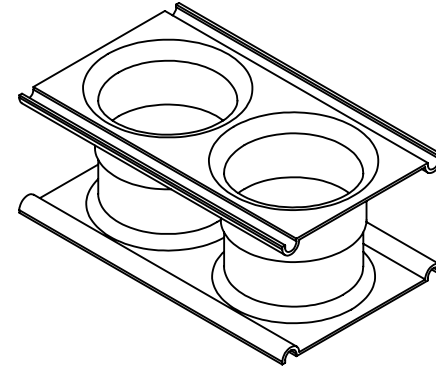
SCALE: 1:6

SHEET 181 OF 314

# T4T2-1010-SW



Ø 4.35" HOLE FOR  
4" BELL TELEPHONE  
T CONDUIT



**PROPRIETARY AND CONFIDENTIAL**  
THE INFORMATION CONTAINED IN THIS DRAWING IS THE SOLE PROPERTY OF FORMEX MANUFACTURING. ANY REPRODUCTION IN PART OR AS A WHOLE WITHOUT THE WRITTEN PERMISSION OF FORMEX MANUFACTURING IS PROHIBITED.

UNLESS OTHERWISE SPECIFIED:	NAME	DATE
DIMENSIONS ARE IN INCHES	DRAWN	HKF 6/28/2024
TOLERANCES:	CHECKED	
FRACTIONAL ±1/32"	ENG APPR.	
ANGULAR: ±2°	MFG APPR.	
TWO PLACE DECIMAL ±0.03"	Q.A.	
THREE PLACE DECIMAL ±0.010"	COMMENTS:	
INTERPRET GEOMETRIC TOLERANCING PER:		
MATERIAL		
ABS		
FINISH		
GRAY / SMOOTH		
DO NOT SCALE DRAWING		

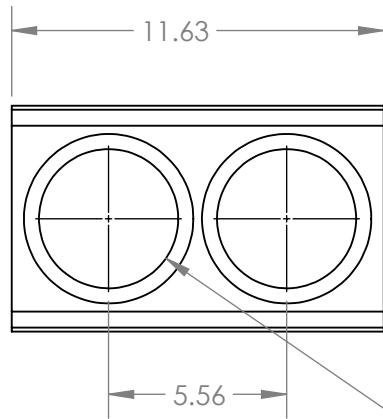
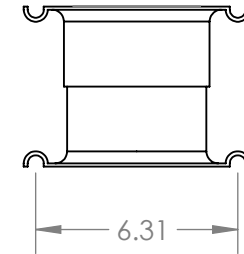
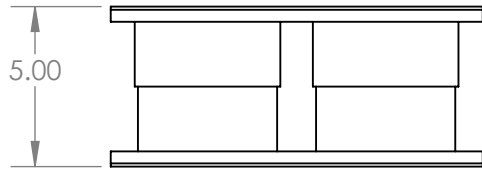
**Formex**<sup>®</sup>  
manufacturing, inc.

TITLE:  
**TERMINATOR**

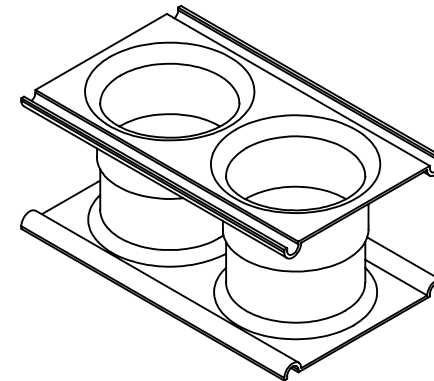
SIZE <b>A</b>	DWG. NO. FX-3753-A	REV <b>A</b>
------------------	-----------------------	-----------------

SCALE: 1:6 SHEET 182 OF 314

# T4T2-1010-5SW



Ø 4.35" HOLE FOR  
4" BELL TELEPHONE  
T CONDUIT



**PROPRIETARY AND CONFIDENTIAL**  
THE INFORMATION CONTAINED IN THIS DRAWING IS THE SOLE PROPERTY OF FORMEX MANUFACTURING. ANY REPRODUCTION IN PART OR AS A WHOLE WITHOUT THE WRITTEN PERMISSION OF FORMEX MANUFACTURING IS PROHIBITED.

UNLESS OTHERWISE SPECIFIED:	NAME	DATE
DIMENSIONS ARE IN INCHES	DRAWN	HKF 6/28/2024
TOLERANCES:	CHECKED	
FRACTIONAL ±1/32"	ENG APPR.	
ANGULAR: ±2°	MFG APPR.	
TWO PLACE DECIMAL ±0.03"	Q.A.	
THREE PLACE DECIMAL ±0.010"	COMMENTS:	
INTERPRET GEOMETRIC TOLERANCING PER:		
MATERIAL		
ABS		
FINISH		
GRAY / SMOOTH		
DO NOT SCALE DRAWING		

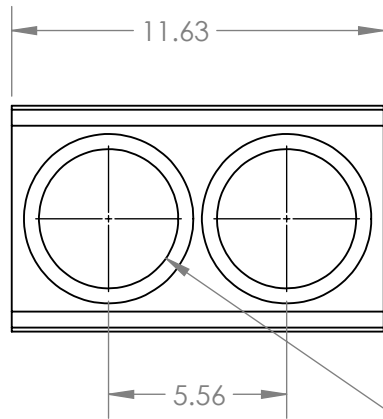
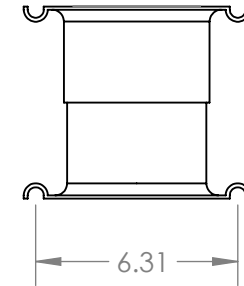
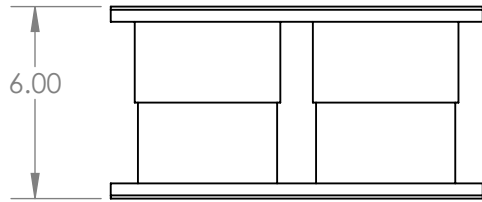
**Formex**<sup>®</sup>  
manufacturing, inc.

TITLE:  
**TERMINATOR**

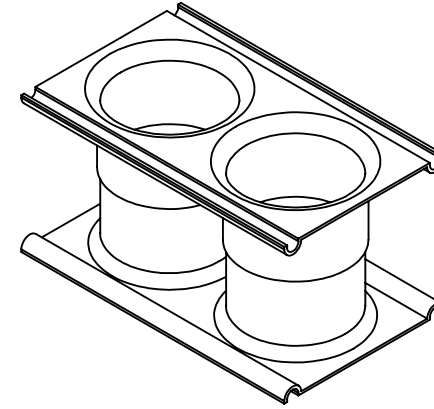
SIZE <b>A</b>	DWG. NO. FX-3753-A	REV <b>A</b>
------------------	-----------------------	-----------------

SCALE: 1:6 SHEET 183 OF 314

# T4T2-1010-6SW



Ø 4.35" HOLE FOR  
4" BELL TELEPHONE  
T CONDUIT



**PROPRIETARY AND CONFIDENTIAL**  
THE INFORMATION CONTAINED IN THIS DRAWING IS THE SOLE PROPERTY OF FORMEX MANUFACTURING. ANY REPRODUCTION IN PART OR AS A WHOLE WITHOUT THE WRITTEN PERMISSION OF FORMEX MANUFACTURING IS PROHIBITED.

UNLESS OTHERWISE SPECIFIED:	NAME	DATE
DIMENSIONS ARE IN INCHES	DRAWN	HKF 6/28/2024
TOLERANCES:	CHECKED	
FRACTIONAL ±1/32"	ENG APPR.	
ANGULAR: ±2°	MFG APPR.	
TWO PLACE DECIMAL ±0.03"	Q.A.	
THREE PLACE DECIMAL ±0.010"	COMMENTS:	
INTERPRET GEOMETRIC TOLERANCING PER:		
MATERIAL		
ABS		
FINISH		
GRAY / SMOOTH		
DO NOT SCALE DRAWING		

**Formex**<sup>®</sup>  
manufacturing, inc.

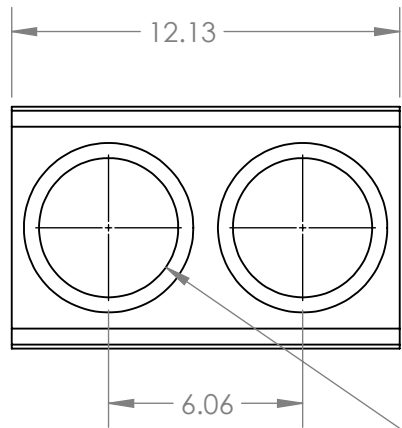
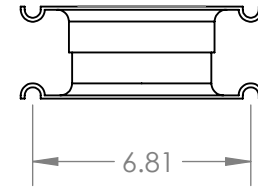
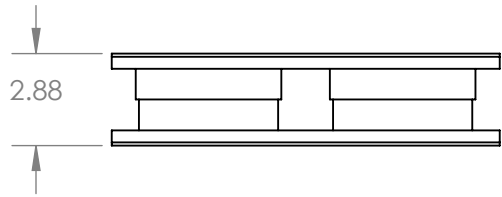
TITLE:  
**TERMINATOR**

SIZE <b>A</b>	DWG. NO. FX-3753-A	REV <b>A</b>
------------------	-----------------------	-----------------

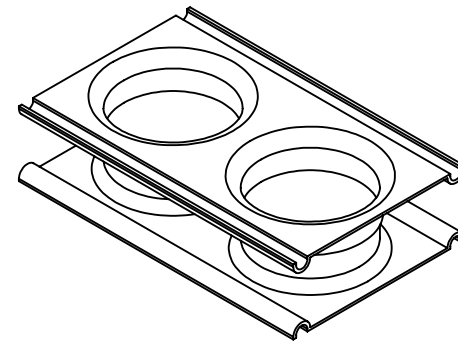
SCALE: 1:6 SHEET 184 OF 314



# T4T2-1515-2 7/8SW



Ø 4.35" HOLE FOR  
4" BELL TELEPHONE  
T CONDUIT



**PROPRIETARY AND CONFIDENTIAL**  
THE INFORMATION CONTAINED IN THIS  
DRAWING IS THE SOLE PROPERTY OF  
FORMEX MANUFACTURING. ANY  
REPRODUCTION IN PART OR AS A WHOLE  
WITHOUT THE WRITTEN PERMISSION OF  
FORMEX MANUFACTURING IS  
PROHIBITED.

UNLESS OTHERWISE SPECIFIED:		NAME	DATE
DIMENSIONS ARE IN INCHES TOLERANCES: FRACTIONAL $\pm 1/32"$ ANGULAR: $\pm 2^\circ$ TWO PLACE DECIMAL $\pm 0.03"$ THREE PLACE DECIMAL $\pm 0.010"$	DRAWN	HKF	6/28/2024
	CHECKED		
	ENG APPR.		
	MFG APPR.		
INTERPRET GEOMETRIC TOLERANCING PER:	Q.A.		
MATERIAL ABS	COMMENTS:		
FINISH GRAY / SMOOTH			
DO NOT SCALE DRAWING			

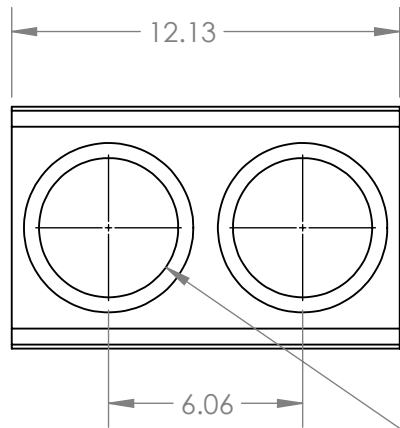
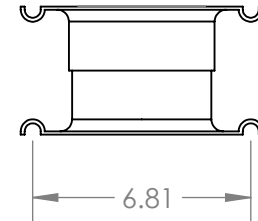
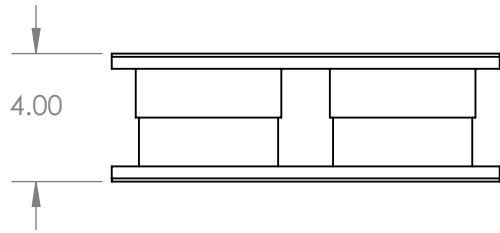
**Formex**<sup>®</sup>  
manufacturing, inc.

TITLE:  
**TERMINATOR**

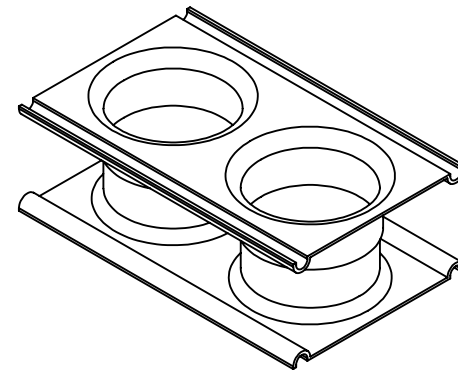
SIZE <b>A</b>	DWG. NO. FX-3753-A	REV <b>A</b>
------------------	-----------------------	-----------------

SCALE: 1:6 SHEET 185 OF 314

# T4T2-1515-4SW



Ø 4.35" HOLE FOR  
4" BELL TELEPHONE  
T CONDUIT



**PROPRIETARY AND CONFIDENTIAL**  
THE INFORMATION CONTAINED IN THIS DRAWING IS THE SOLE PROPERTY OF FORMEX MANUFACTURING. ANY REPRODUCTION IN PART OR AS A WHOLE WITHOUT THE WRITTEN PERMISSION OF FORMEX MANUFACTURING IS PROHIBITED.

UNLESS OTHERWISE SPECIFIED:		NAME	DATE
DIMENSIONS ARE IN INCHES TOLERANCES: FRACTIONAL ±1/32" ANGULAR: ±2° TWO PLACE DECIMAL ±0.03" THREE PLACE DECIMAL ±0.010"	DRAWN	HKF	6/28/2024
	CHECKED		
	ENG APPR.		
	MFG APPR.		
INTERPRET GEOMETRIC TOLERANCING PER:	Q.A.		
MATERIAL ABS	COMMENTS:		
FINISH GRAY / SMOOTH			
DO NOT SCALE DRAWING			

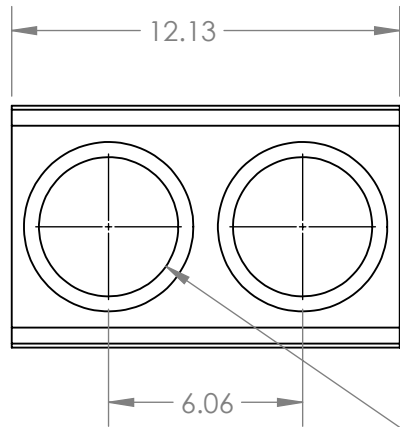
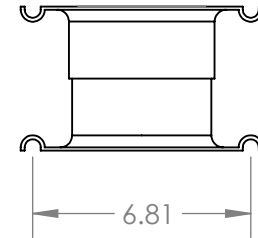
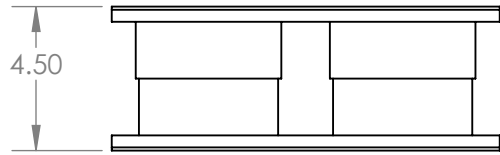
**Formex**<sup>®</sup>  
manufacturing, inc.

TITLE:  
**TERMINATOR**

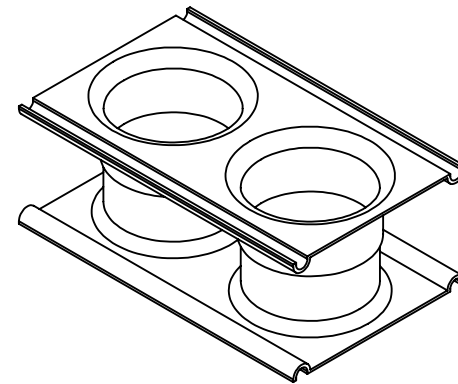
SIZE <b>A</b>	DWG. NO. FX-3753-A	REV <b>A</b>
------------------	-----------------------	-----------------

SCALE: 1:6 SHEET 186 OF 314

# T4T2-1515-4 1/2SW



Ø 4.35" HOLE FOR  
4" BELL TELEPHONE  
T CONDUIT



**PROPRIETARY AND CONFIDENTIAL**  
THE INFORMATION CONTAINED IN THIS  
DRAWING IS THE SOLE PROPERTY OF  
FORMEX MANUFACTURING. ANY  
REPRODUCTION IN PART OR AS A WHOLE  
WITHOUT THE WRITTEN PERMISSION OF  
FORMEX MANUFACTURING IS  
PROHIBITED.

UNLESS OTHERWISE SPECIFIED:	NAME	DATE
DIMENSIONS ARE IN INCHES	DRAWN	HKF 6/28/2024
TOLERANCES:	CHECKED	
FRACTIONAL ±1/32"	ENG APPR.	
ANGULAR: ±2°	MFG APPR.	
TWO PLACE DECIMAL ±0.03"	Q.A.	
THREE PLACE DECIMAL ±0.010"	COMMENTS:	
INTERPRET GEOMETRIC TOLERANCING PER:		
MATERIAL		
ABS		
FINISH		
GRAY / SMOOTH		
DO NOT SCALE DRAWING		

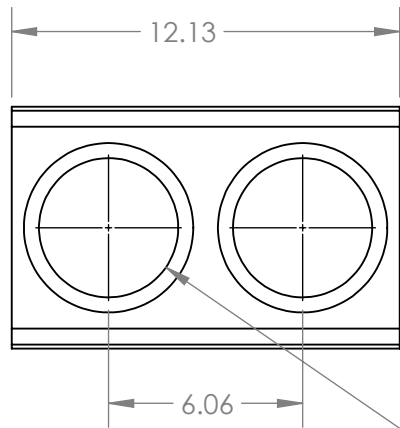
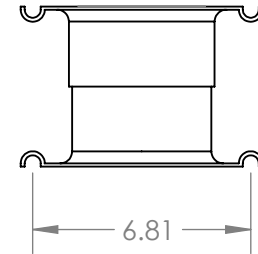
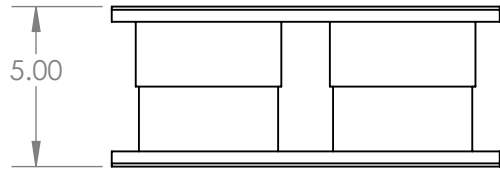
**Formex**<sup>®</sup>  
manufacturing, inc.

TITLE:  
**TERMINATOR**

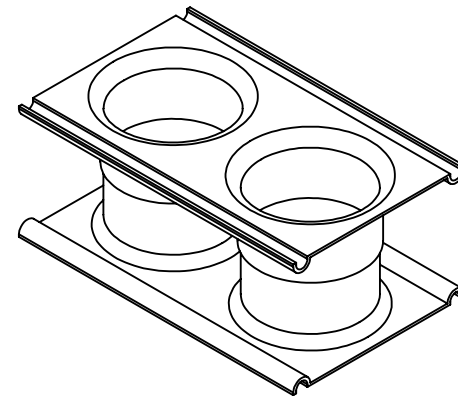
SIZE <b>A</b>	DWG. NO. FX-3753-A	REV <b>A</b>
------------------	-----------------------	-----------------

SCALE: 1:6 SHEET 187 OF 314

# T4T2-1515-5SW



Ø 4.35" HOLE FOR  
4" BELL TELEPHONE  
T CONDUIT



**PROPRIETARY AND CONFIDENTIAL**  
THE INFORMATION CONTAINED IN THIS DRAWING IS THE SOLE PROPERTY OF FORMEX MANUFACTURING. ANY REPRODUCTION IN PART OR AS A WHOLE WITHOUT THE WRITTEN PERMISSION OF FORMEX MANUFACTURING IS PROHIBITED.

UNLESS OTHERWISE SPECIFIED:

DIMENSIONS ARE IN INCHES  
TOLERANCES:  
FRACTIONAL  $\pm 1/32"$   
ANGULAR:  $\pm 2^\circ$   
TWO PLACE DECIMAL  $\pm 0.03"$   
THREE PLACE DECIMAL  $\pm 0.010"$

INTERPRET GEOMETRIC  
TOLERANCING PER:

MATERIAL  
ABS

FINISH  
GRAY / SMOOTH

DO NOT SCALE DRAWING

NAME	DATE
DRAWN HKF	6/28/2024
CHECKED	
ENG APPR.	
MFG APPR.	
Q.A.	

**Formex**<sup>®</sup>  
manufacturing, inc.

TITLE:

**TERMINATOR**

SIZE  
**A**

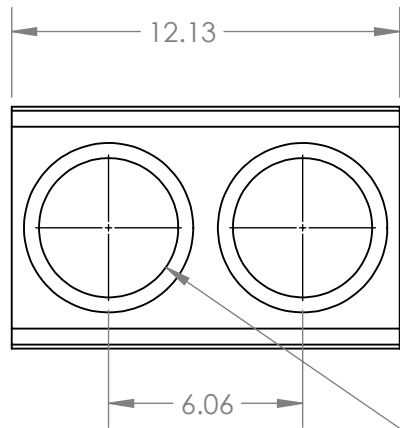
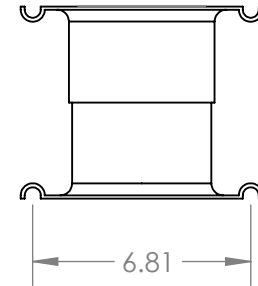
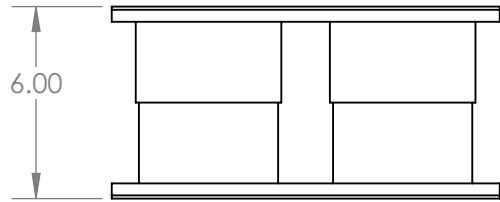
DWG. NO.  
FX-3753-A

REV  
**A**

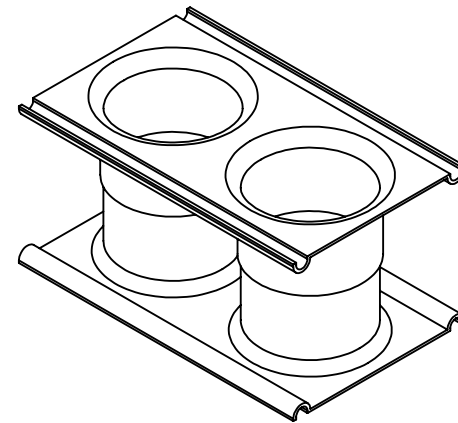
SCALE: 1:6

SHEET 188 OF 314

# T4T2-1515-6SW



Ø 4.35" HOLE FOR  
4" BELL TELEPHONE  
T CONDUIT



**PROPRIETARY AND CONFIDENTIAL**  
THE INFORMATION CONTAINED IN THIS DRAWING IS THE SOLE PROPERTY OF FORMEX MANUFACTURING. ANY REPRODUCTION IN PART OR AS A WHOLE WITHOUT THE WRITTEN PERMISSION OF FORMEX MANUFACTURING IS PROHIBITED.

UNLESS OTHERWISE SPECIFIED:		NAME	DATE
DIMENSIONS ARE IN INCHES TOLERANCES: FRACTIONAL ±1/32" ANGULAR: ±2° TWO PLACE DECIMAL ±0.03" THREE PLACE DECIMAL ±0.010"	DRAWN	HKF	6/28/2024
	CHECKED		
	ENG APPR.		
	MFG APPR.		
INTERPRET GEOMETRIC TOLERANCING PER:	Q.A.		
MATERIAL ABS	COMMENTS:		
FINISH GRAY / SMOOTH			
DO NOT SCALE DRAWING			

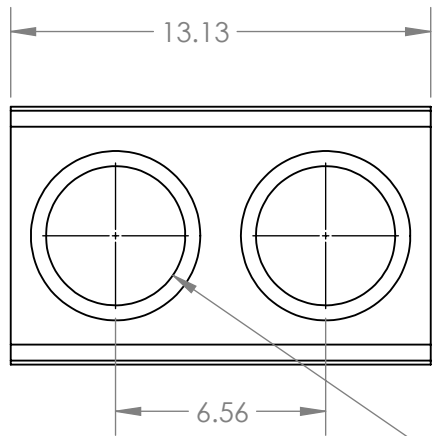
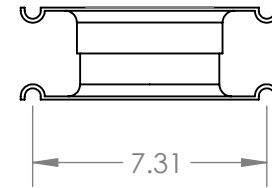
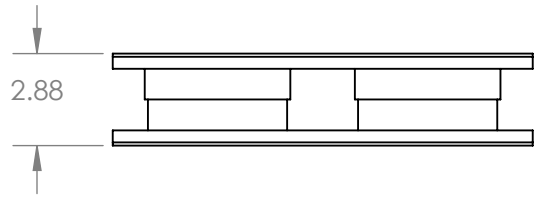
**Formex**<sup>®</sup>  
manufacturing, inc.

TITLE:  
**TERMINATOR**

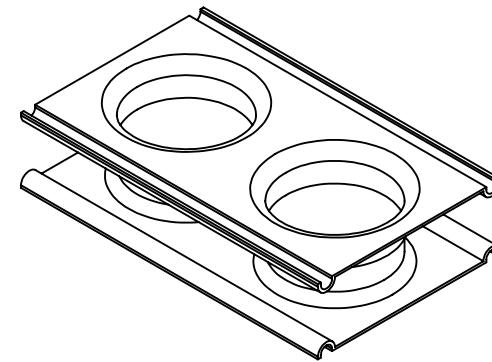
SIZE <b>A</b>	DWG. NO. FX-3753-A	REV <b>A</b>
------------------	-----------------------	-----------------

SCALE: 1:6 SHEET 189 OF 314

# T4T2-2020-2 7/8SW



Ø 4.35" HOLE FOR  
4" BELL TELEPHONE  
T CONDUIT



**PROPRIETARY AND CONFIDENTIAL**  
THE INFORMATION CONTAINED IN THIS DRAWING IS THE SOLE PROPERTY OF FORMEX MANUFACTURING. ANY REPRODUCTION IN PART OR AS A WHOLE WITHOUT THE WRITTEN PERMISSION OF FORMEX MANUFACTURING IS PROHIBITED.

UNLESS OTHERWISE SPECIFIED:		NAME	DATE
DIMENSIONS ARE IN INCHES TOLERANCES: FRACTIONAL $\pm 1/32"$ ANGULAR: $\pm 2^\circ$ TWO PLACE DECIMAL $\pm 0.03"$ THREE PLACE DECIMAL $\pm 0.010"$	DRAWN	HKF	6/28/2024
	CHECKED		
	ENG APPR.		
	MFG APPR.		
INTERPRET GEOMETRIC TOLERANCING PER:	Q.A.		
MATERIAL ABS	COMMENTS:		
FINISH GRAY / SMOOTH			
DO NOT SCALE DRAWING			

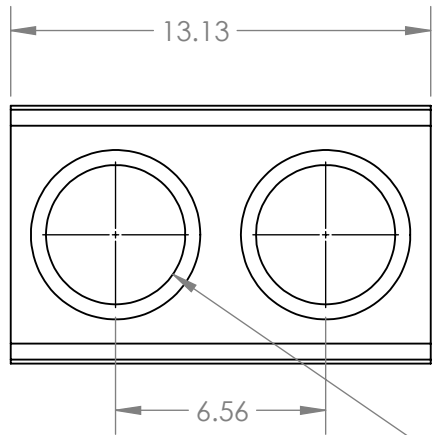
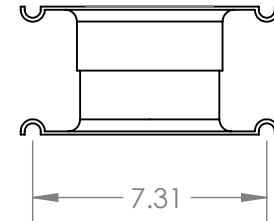
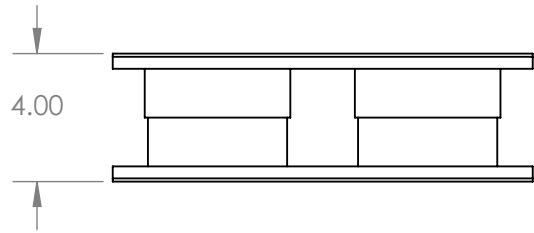
**Formex**<sup>®</sup>  
manufacturing, inc.

TITLE:  
**TERMINATOR**

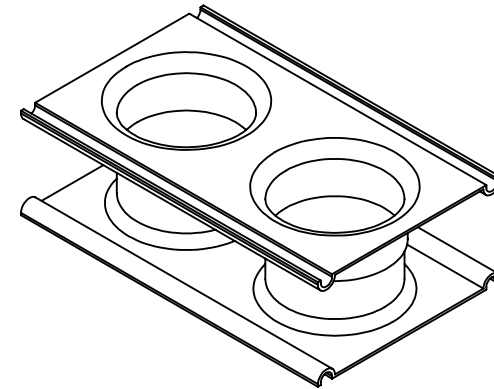
SIZE <b>A</b>	DWG. NO. FX-3753-A	REV <b>A</b>
------------------	-----------------------	-----------------

SCALE: 1:6 SHEET 190 OF 314

# T4T2-2020-4SW



Ø 4.35" HOLE FOR  
4" BELL TELEPHONE  
T CONDUIT



**PROPRIETARY AND CONFIDENTIAL**  
THE INFORMATION CONTAINED IN THIS DRAWING IS THE SOLE PROPERTY OF FORMEX MANUFACTURING. ANY REPRODUCTION IN PART OR AS A WHOLE WITHOUT THE WRITTEN PERMISSION OF FORMEX MANUFACTURING IS PROHIBITED.

UNLESS OTHERWISE SPECIFIED:		NAME	DATE
DIMENSIONS ARE IN INCHES TOLERANCES: FRACTIONAL $\pm 1/32"$ ANGULAR: $\pm 2^\circ$ TWO PLACE DECIMAL $\pm 0.03"$ THREE PLACE DECIMAL $\pm 0.010"$	DRAWN	HKF	6/28/2024
	CHECKED		
	ENG APPR.		
	MFG APPR.		
INTERPRET GEOMETRIC TOLERANCING PER:	Q.A.		
MATERIAL ABS	COMMENTS:		
FINISH GRAY / SMOOTH			
DO NOT SCALE DRAWING			

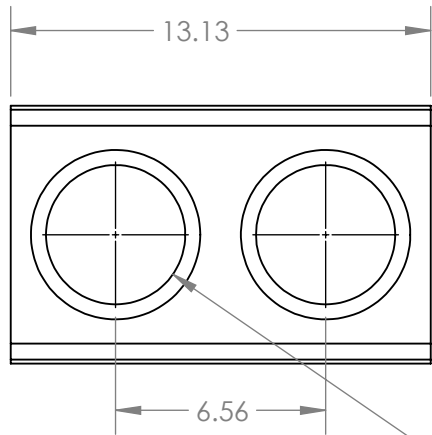
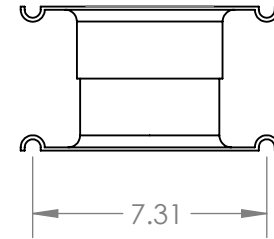
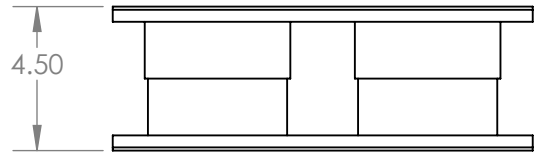
**Formex**<sup>®</sup>  
manufacturing, inc.

TITLE:  
**TERMINATOR**

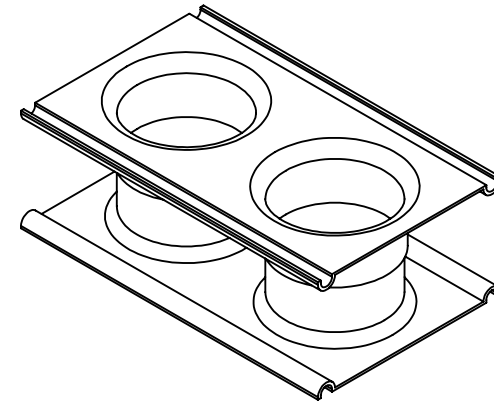
SIZE <b>A</b>	DWG. NO. FX-3753-A	REV <b>A</b>
------------------	-----------------------	-----------------

SCALE: 1:6 SHEET 191 OF 314

# T4T2-2020-4 1/2SW



Ø 4.35" HOLE FOR  
4" BELL TELEPHONE  
T CONDUIT



**PROPRIETARY AND CONFIDENTIAL**  
THE INFORMATION CONTAINED IN THIS DRAWING IS THE SOLE PROPERTY OF FORMEX MANUFACTURING. ANY REPRODUCTION IN PART OR AS A WHOLE WITHOUT THE WRITTEN PERMISSION OF FORMEX MANUFACTURING IS PROHIBITED.

UNLESS OTHERWISE SPECIFIED:	NAME	DATE
DIMENSIONS ARE IN INCHES	DRAWN	HKF 6/28/2024
TOLERANCES:	CHECKED	
FRACTIONAL ±1/32"	ENG APPR.	
ANGULAR: ±2°	MFG APPR.	
TWO PLACE DECIMAL ±0.03"	Q.A.	
THREE PLACE DECIMAL ±0.010"	COMMENTS:	
INTERPRET GEOMETRIC TOLERANCING PER:		
MATERIAL		
ABS		
FINISH		
GRAY / SMOOTH		
DO NOT SCALE DRAWING		

**Formex**<sup>®</sup>  
manufacturing, inc.

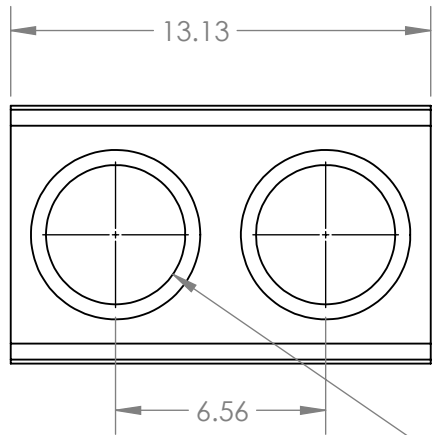
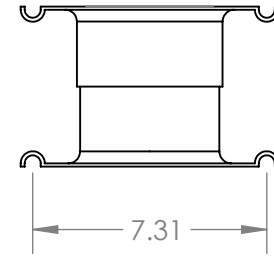
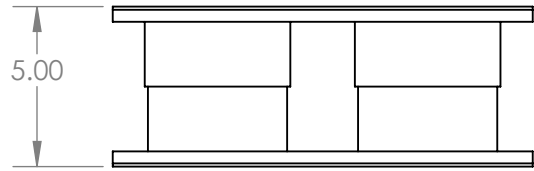
TITLE:  
**TERMINATOR**

SIZE <b>A</b>	DWG. NO. FX-3753-A	REV <b>A</b>
------------------	-----------------------	-----------------

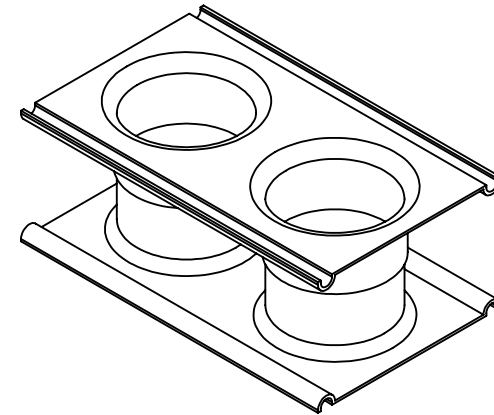
SCALE: 1:6 SHEET 192 OF 314



# T4T2-2020-5SW



Ø 4.35" HOLE FOR  
4" BELL TELEPHONE  
T CONDUIT



**PROPRIETARY AND CONFIDENTIAL**  
THE INFORMATION CONTAINED IN THIS DRAWING IS THE SOLE PROPERTY OF FORMEX MANUFACTURING. ANY REPRODUCTION IN PART OR AS A WHOLE WITHOUT THE WRITTEN PERMISSION OF FORMEX MANUFACTURING IS PROHIBITED.

UNLESS OTHERWISE SPECIFIED:	NAME	DATE
DIMENSIONS ARE IN INCHES	DRAWN	HKF 6/28/2024
TOLERANCES:	CHECKED	
FRACTIONAL ±1/32"	ENG APPR.	
ANGULAR: ±2°	MFG APPR.	
TWO PLACE DECIMAL ±0.03"	Q.A.	
THREE PLACE DECIMAL ±0.010"	COMMENTS:	
INTERPRET GEOMETRIC TOLERANCING PER:		
MATERIAL		
ABS		
FINISH		
GRAY / SMOOTH		
DO NOT SCALE DRAWING		

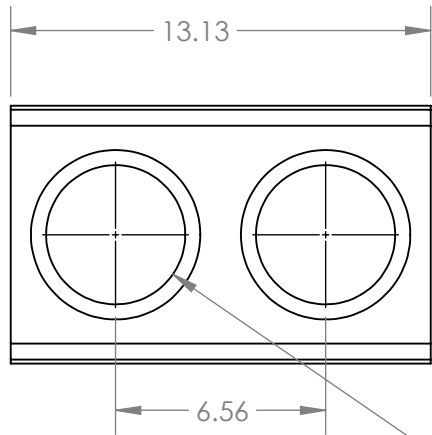
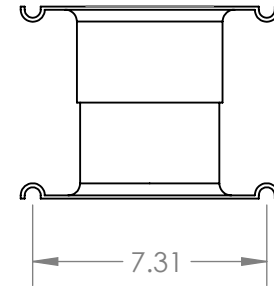
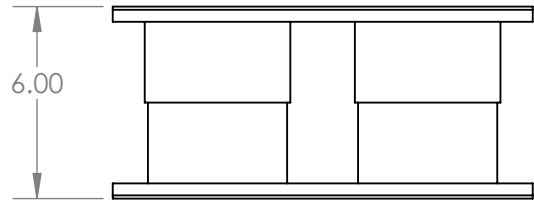
**Formex**<sup>®</sup>  
manufacturing, inc.

TITLE:  
**TERMINATOR**

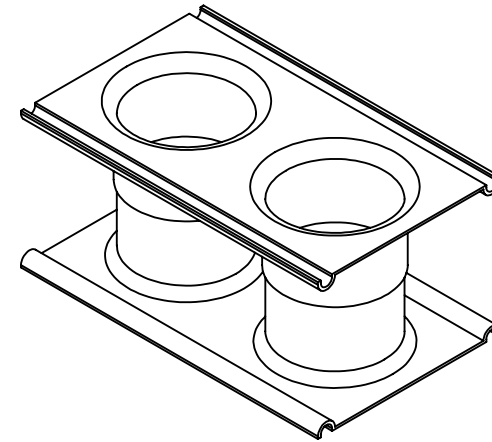
SIZE <b>A</b>	DWG. NO. FX-3753-A	REV <b>A</b>
------------------	-----------------------	-----------------

SCALE: 1:6 SHEET 193 OF 314

# T4T2-2020-6SW



Ø 4.35" HOLE FOR  
4" BELL TELEPHONE  
T CONDUIT



**PROPRIETARY AND CONFIDENTIAL**  
THE INFORMATION CONTAINED IN THIS DRAWING IS THE SOLE PROPERTY OF FORMEX MANUFACTURING. ANY REPRODUCTION IN PART OR AS A WHOLE WITHOUT THE WRITTEN PERMISSION OF FORMEX MANUFACTURING IS PROHIBITED.

UNLESS OTHERWISE SPECIFIED:		NAME	DATE
DIMENSIONS ARE IN INCHES TOLERANCES: FRACTIONAL $\pm 1/32"$ ANGULAR: $\pm 2^\circ$ TWO PLACE DECIMAL $\pm 0.03"$ THREE PLACE DECIMAL $\pm 0.010"$	DRAWN	HKF	6/28/2024
	CHECKED		
	ENG APPR.		
	MFG APPR.		
	Q.A.		
INTERPRET GEOMETRIC TOLERANCING PER:	COMMENTS:		
MATERIAL ABS			
FINISH GRAY / SMOOTH			
DO NOT SCALE DRAWING			

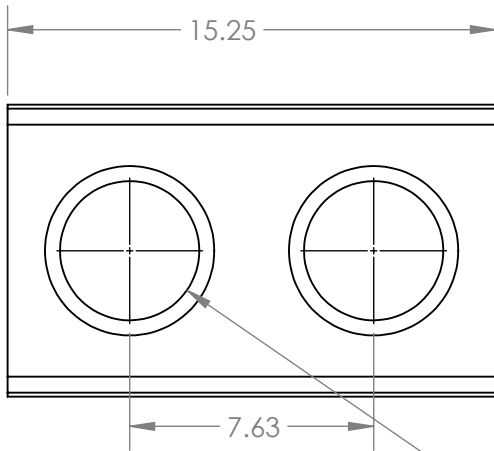
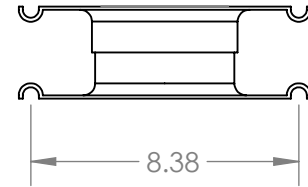
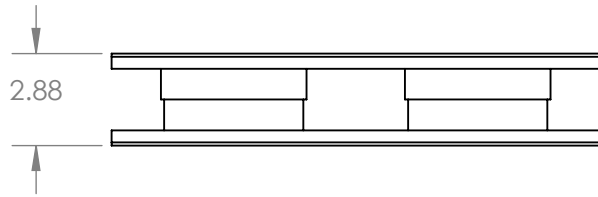
**Formex**<sup>®</sup>  
manufacturing, inc.

TITLE:  
**TERMINATOR**

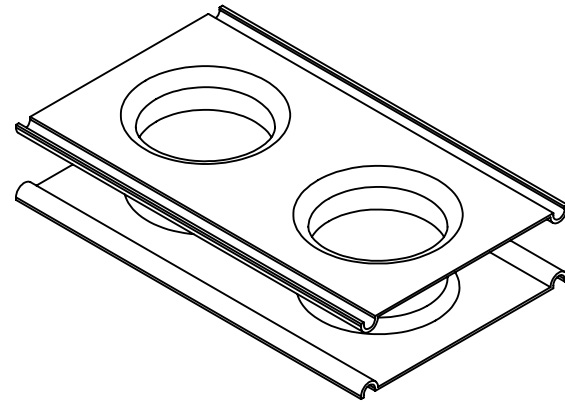
SIZE <b>A</b>	DWG. NO. FX-3753-A	REV <b>A</b>
------------------	-----------------------	-----------------

SCALE: 1:6 SHEET 194 OF 314

# T4T2-3030-2 7/8SW



Ø 4.35" HOLE FOR  
4" BELL TELEPHONE  
T CONDUIT



**PROPRIETARY AND CONFIDENTIAL**  
THE INFORMATION CONTAINED IN THIS DRAWING IS THE SOLE PROPERTY OF FORMEX MANUFACTURING. ANY REPRODUCTION IN PART OR AS A WHOLE WITHOUT THE WRITTEN PERMISSION OF FORMEX MANUFACTURING IS PROHIBITED.

UNLESS OTHERWISE SPECIFIED:		NAME	DATE
DIMENSIONS ARE IN INCHES TOLERANCES: FRACTIONAL ±1/32" ANGULAR: ±2° TWO PLACE DECIMAL ±0.03" THREE PLACE DECIMAL ±0.010"	DRAWN	HKF	6/28/2024
	CHECKED		
	ENG APPR.		
	MFG APPR.		
INTERPRET GEOMETRIC TOLERANCING PER:	Q.A.		
MATERIAL ABS	COMMENTS:		
FINISH GRAY / SMOOTH			
DO NOT SCALE DRAWING			

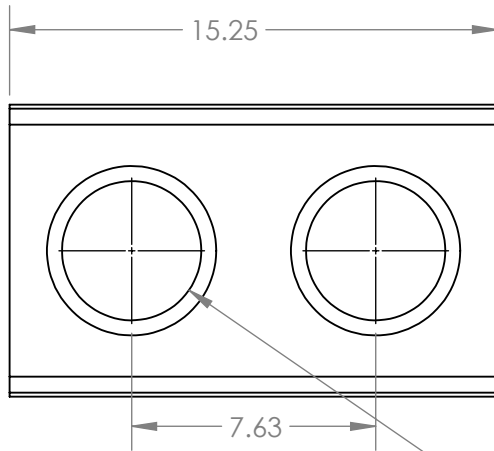
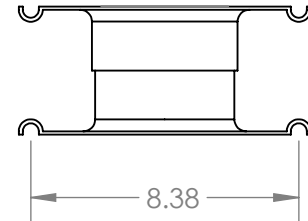
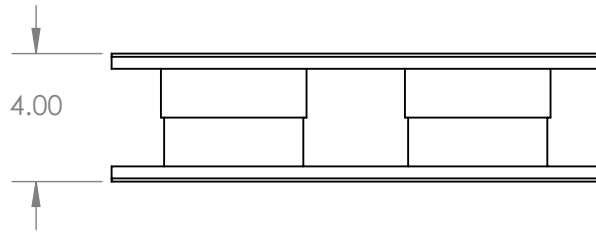
**Formex**<sup>®</sup>  
manufacturing, inc.

TITLE:  
**TERMINATOR**

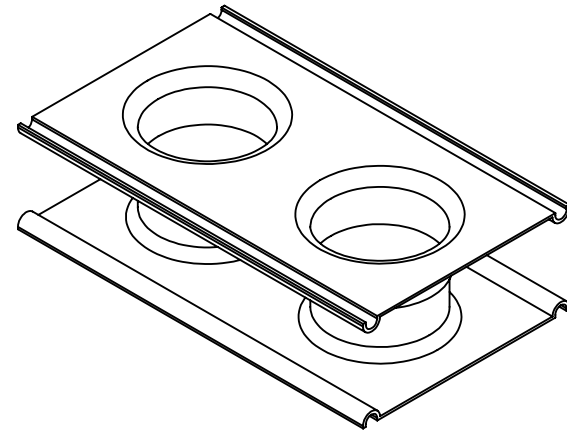
SIZE <b>A</b>	DWG. NO. FX-3753-A	REV <b>A</b>
------------------	-----------------------	-----------------

SCALE: 1:6 SHEET 195 OF 314

# T4T2-3030-4SW



Ø 4.35" HOLE FOR  
4" BELL TELEPHONE  
T CONDUIT



**PROPRIETARY AND CONFIDENTIAL**  
THE INFORMATION CONTAINED IN THIS DRAWING IS THE SOLE PROPERTY OF FORMEX MANUFACTURING. ANY REPRODUCTION IN PART OR AS A WHOLE WITHOUT THE WRITTEN PERMISSION OF FORMEX MANUFACTURING IS PROHIBITED.

UNLESS OTHERWISE SPECIFIED:		NAME	DATE
DIMENSIONS ARE IN INCHES TOLERANCES: FRACTIONAL $\pm 1/32"$ ANGULAR: $\pm 2^\circ$ TWO PLACE DECIMAL $\pm 0.03"$ THREE PLACE DECIMAL $\pm 0.010"$	DRAWN	HKF	6/28/2024
	CHECKED		
	ENG APPR.		
	MFG APPR.		
INTERPRET GEOMETRIC TOLERANCING PER:	Q.A.		
MATERIAL ABS	COMMENTS:		
FINISH GRAY / SMOOTH			
DO NOT SCALE DRAWING			

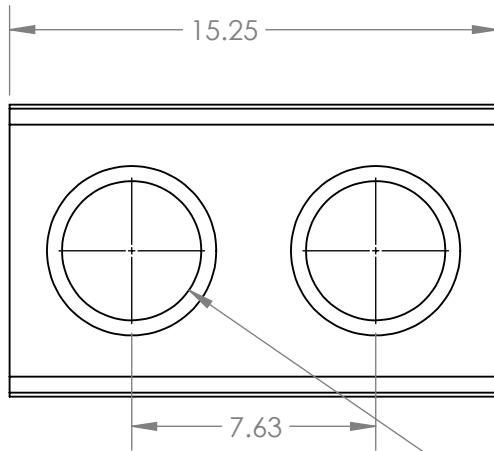
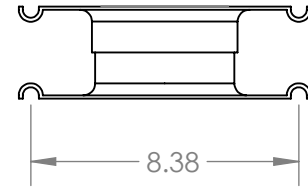
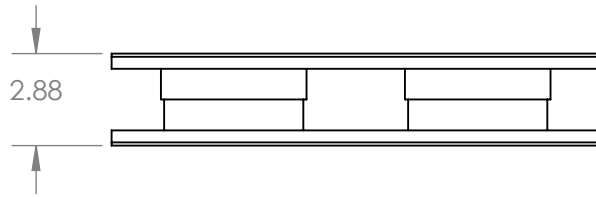
**Formex**<sup>®</sup>  
manufacturing, inc.

TITLE:  
**TERMINATOR**

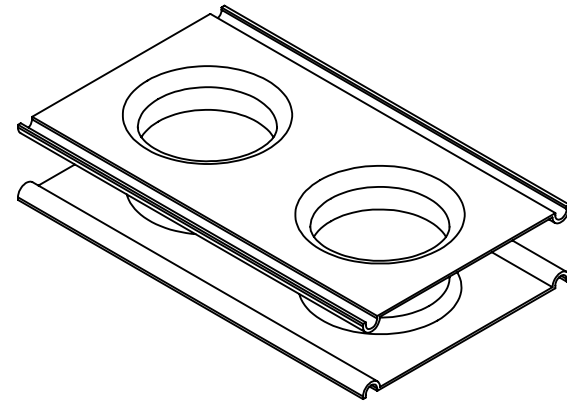
SIZE <b>A</b>	DWG. NO. FX-3753-A	REV <b>A</b>
------------------	-----------------------	-----------------

SCALE: 1:6 SHEET 196 OF 314

# T4T2-3030-4 1/2SW



Ø 4.35" HOLE FOR  
4" BELL TELEPHONE  
T CONDUIT



**PROPRIETARY AND CONFIDENTIAL**  
THE INFORMATION CONTAINED IN THIS DRAWING IS THE SOLE PROPERTY OF FORMEX MANUFACTURING. ANY REPRODUCTION IN PART OR AS A WHOLE WITHOUT THE WRITTEN PERMISSION OF FORMEX MANUFACTURING IS PROHIBITED.

UNLESS OTHERWISE SPECIFIED:		NAME	DATE
DIMENSIONS ARE IN INCHES TOLERANCES: FRACTIONAL ±1/32" ANGULAR: ±2° TWO PLACE DECIMAL ±0.03" THREE PLACE DECIMAL ±0.010"	DRAWN	HKF	6/28/2024
	CHECKED		
	ENG APPR.		
	MFG APPR.		
INTERPRET GEOMETRIC TOLERANCING PER:	Q.A.		
MATERIAL ABS	COMMENTS:		
FINISH GRAY / SMOOTH			
DO NOT SCALE DRAWING			

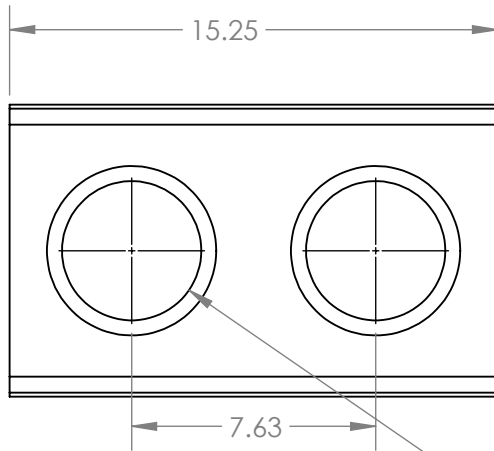
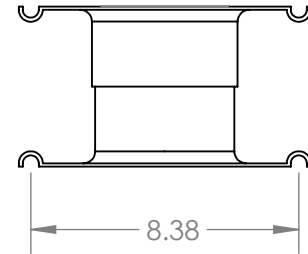
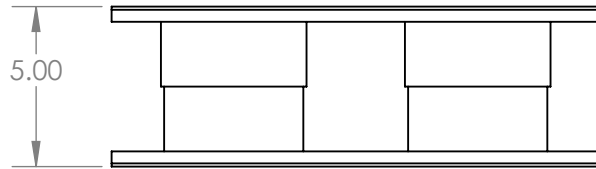
**Formex**<sup>®</sup>  
manufacturing, inc.

TITLE:  
**TERMINATOR**

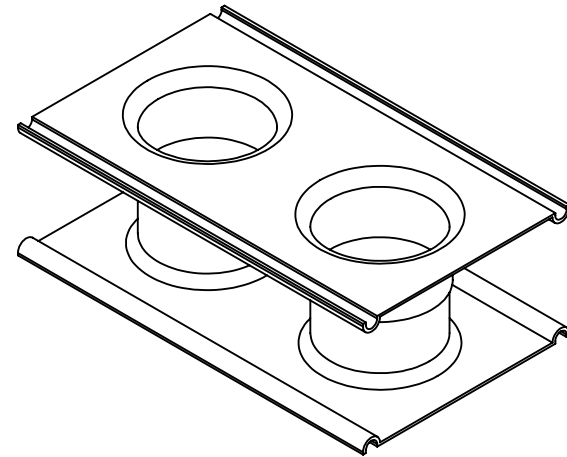
SIZE <b>A</b>	DWG. NO. FX-3753-A	REV <b>A</b>
------------------	-----------------------	-----------------

SCALE: 1:6 SHEET 197 OF 314

# T4T2-3030-5SW



Ø 4.35" HOLE FOR  
4" BELL TELEPHONE  
T CONDUIT



**PROPRIETARY AND CONFIDENTIAL**  
THE INFORMATION CONTAINED IN THIS DRAWING IS THE SOLE PROPERTY OF FORMEX MANUFACTURING. ANY REPRODUCTION IN PART OR AS A WHOLE WITHOUT THE WRITTEN PERMISSION OF FORMEX MANUFACTURING IS PROHIBITED.

UNLESS OTHERWISE SPECIFIED:		NAME	DATE
DIMENSIONS ARE IN INCHES TOLERANCES: FRACTIONAL $\pm 1/32"$ ANGULAR: $\pm 2^\circ$ TWO PLACE DECIMAL $\pm 0.03"$ THREE PLACE DECIMAL $\pm 0.010"$	DRAWN	HKF	6/28/2024
	CHECKED		
	ENG APPR.		
	MFG APPR.		
INTERPRET GEOMETRIC TOLERANCING PER:	Q.A.		
MATERIAL ABS	COMMENTS:		
FINISH GRAY / SMOOTH			
DO NOT SCALE DRAWING			

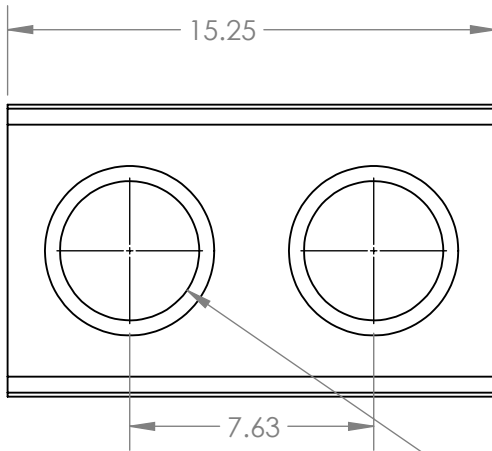
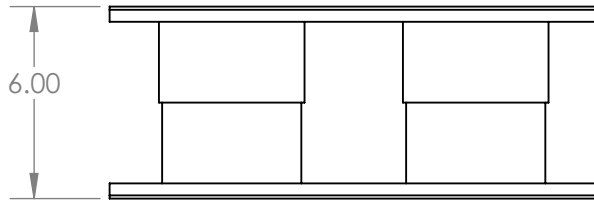
**Formex**<sup>®</sup>  
manufacturing, inc.

TITLE:  
**TERMINATOR**

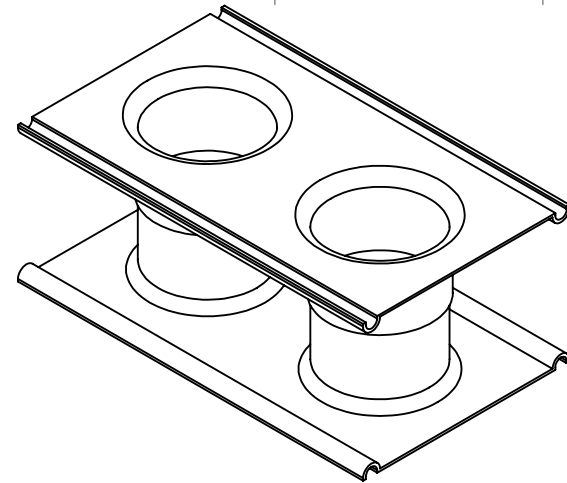
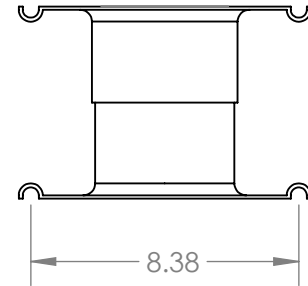
SIZE <b>A</b>	DWG. NO. FX-3753-A	REV <b>A</b>
------------------	-----------------------	-----------------

SCALE: 1:6 SHEET 198 OF 314

# T4T2-3030-6SW



Ø 4.35" HOLE FOR  
4" BELL TELEPHONE  
T CONDUIT



**PROPRIETARY AND CONFIDENTIAL**  
THE INFORMATION CONTAINED IN THIS DRAWING IS THE SOLE PROPERTY OF FORMEX MANUFACTURING. ANY REPRODUCTION IN PART OR AS A WHOLE WITHOUT THE WRITTEN PERMISSION OF FORMEX MANUFACTURING IS PROHIBITED.

UNLESS OTHERWISE SPECIFIED:		NAME	DATE
DIMENSIONS ARE IN INCHES TOLERANCES: FRACTIONAL $\pm 1/32"$ ANGULAR: $\pm 2^\circ$ TWO PLACE DECIMAL $\pm 0.03"$ THREE PLACE DECIMAL $\pm 0.010"$	DRAWN	HKF	6/28/2024
	CHECKED		
	ENG APPR.		
	MFG APPR.		
INTERPRET GEOMETRIC TOLERANCING PER:	Q.A.		
MATERIAL ABS	COMMENTS:		
FINISH GRAY / SMOOTH			
DO NOT SCALE DRAWING			

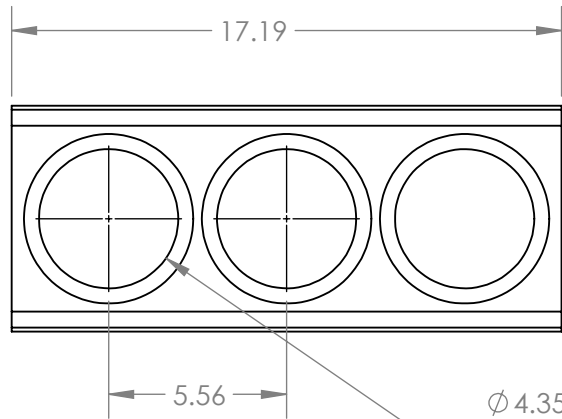
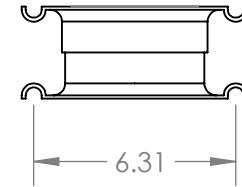
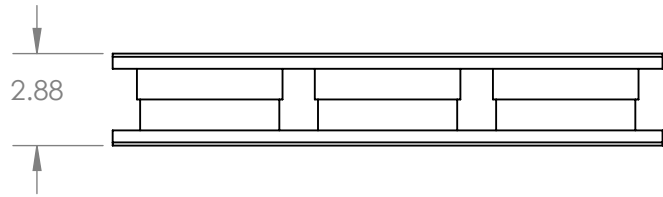
**Formex**<sup>®</sup>  
manufacturing, inc.

TITLE:  
**TERMINATOR**

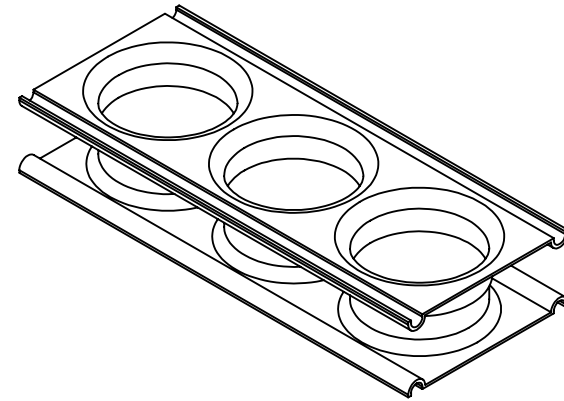
SIZE <b>A</b>	DWG. NO. FX-3753-A	REV <b>A</b>
------------------	-----------------------	-----------------

SCALE: 1:6 SHEET 199 OF 314

# T4T3-1010-2 7/8SW



Ø 4.35" HOLE FOR  
4" BELL TELEPHONE  
T CONDUIT



**PROPRIETARY AND CONFIDENTIAL**  
THE INFORMATION CONTAINED IN THIS DRAWING IS THE SOLE PROPERTY OF FORMEX MANUFACTURING. ANY REPRODUCTION IN PART OR AS A WHOLE WITHOUT THE WRITTEN PERMISSION OF FORMEX MANUFACTURING IS PROHIBITED.

UNLESS OTHERWISE SPECIFIED:	NAME	DATE
DIMENSIONS ARE IN INCHES	DRAWN	HKF 6/28/2024
TOLERANCES:	CHECKED	
FRACTIONAL ±1/32"	ENG APPR.	
ANGULAR: ±2°	MFG APPR.	
TWO PLACE DECIMAL ±0.03"	Q.A.	
THREE PLACE DECIMAL ±0.010"	COMMENTS:	
INTERPRET GEOMETRIC TOLERANCING PER:		
MATERIAL		
ABS		
FINISH		
GRAY / SMOOTH		
DO NOT SCALE DRAWING		

**Formex**<sup>®</sup>  
manufacturing, inc.

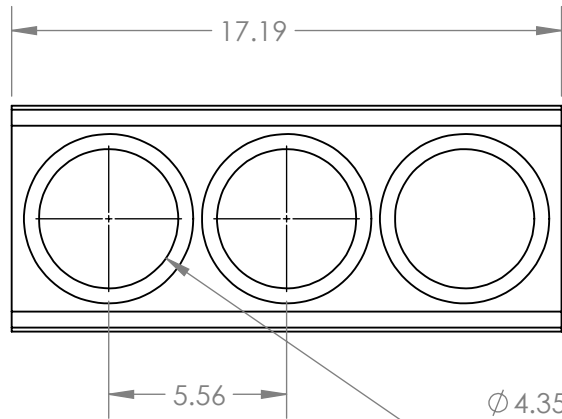
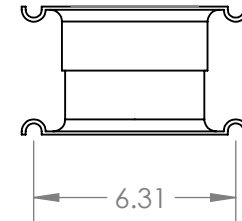
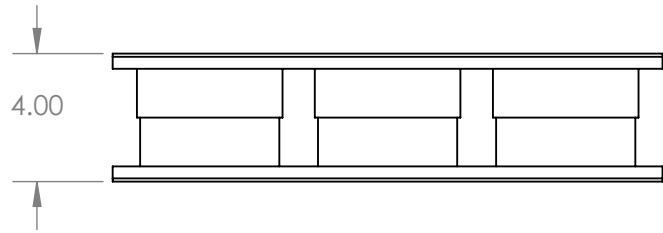
TITLE:  
**TERMINATOR**

SIZE	DWG. NO.	REV
<b>A</b>	FX-3753-A	<b>A</b>

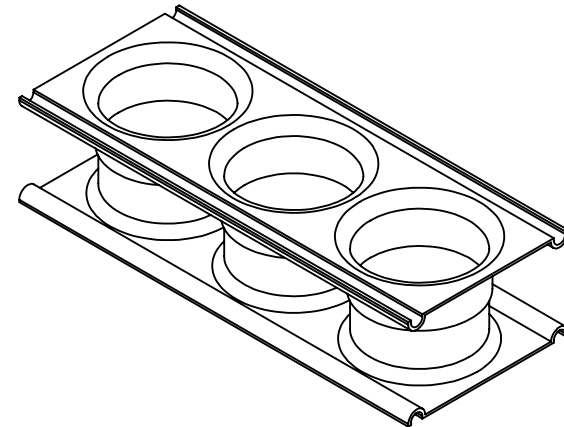
SCALE: 1:6 SHEET 200 OF 314



# T4T3-1010-4SW



Ø 4.35" HOLE FOR  
4" BELL TELEPHONE  
T CONDUIT



**PROPRIETARY AND CONFIDENTIAL**  
THE INFORMATION CONTAINED IN THIS DRAWING IS THE SOLE PROPERTY OF FORMEX MANUFACTURING. ANY REPRODUCTION IN PART OR AS A WHOLE WITHOUT THE WRITTEN PERMISSION OF FORMEX MANUFACTURING IS PROHIBITED.

UNLESS OTHERWISE SPECIFIED:		NAME	DATE
DIMENSIONS ARE IN INCHES TOLERANCES: FRACTIONAL ±1/32" ANGULAR: ±2° TWO PLACE DECIMAL ±0.03" THREE PLACE DECIMAL ±0.010"	DRAWN	HKF	6/28/2024
	CHECKED		
	ENG APPR.		
	MFG APPR.		
INTERPRET GEOMETRIC TOLERANCING PER:	Q.A.		
MATERIAL ABS	COMMENTS:		
FINISH GRAY / SMOOTH			
DO NOT SCALE DRAWING			

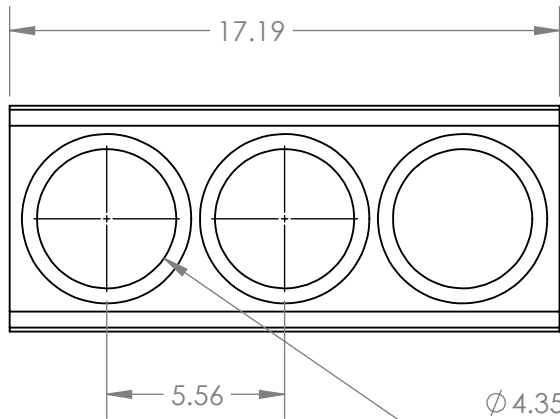
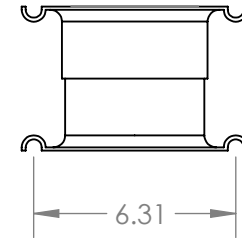
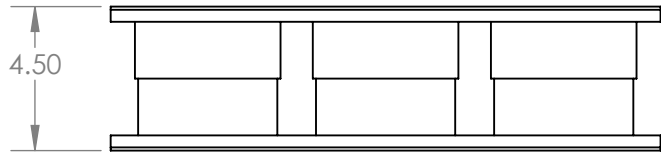
**Formex**<sup>®</sup>  
manufacturing, inc.

TITLE:  
**TERMINATOR**

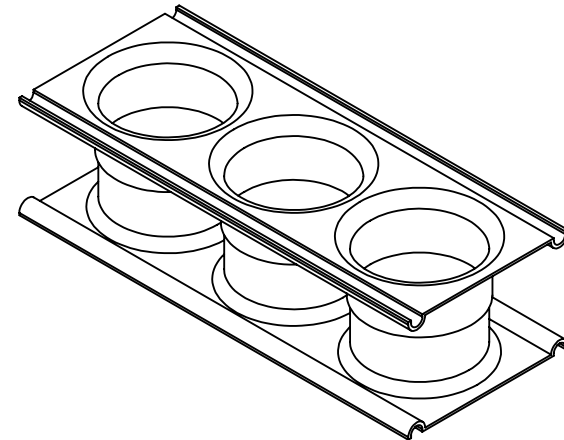
SIZE <b>A</b>	DWG. NO. FX-3753-A	REV <b>A</b>
------------------	-----------------------	-----------------

SCALE: 1:6 SHEET 201 OF 314

# T4T3-1010-4 1/2SW



Ø 4.35" HOLE FOR  
4" BELL TELEPHONE  
T CONDUIT



**PROPRIETARY AND CONFIDENTIAL**  
THE INFORMATION CONTAINED IN THIS DRAWING IS THE SOLE PROPERTY OF FORMEX MANUFACTURING. ANY REPRODUCTION IN PART OR AS A WHOLE WITHOUT THE WRITTEN PERMISSION OF FORMEX MANUFACTURING IS PROHIBITED.

UNLESS OTHERWISE SPECIFIED:		NAME	DATE
DIMENSIONS ARE IN INCHES TOLERANCES: FRACTIONAL ±1/32" ANGULAR: ±2° TWO PLACE DECIMAL ±0.03" THREE PLACE DECIMAL ±0.010"	DRAWN	HKF	6/28/2024
	CHECKED		
	ENG APPR.		
	MFG APPR.		
INTERPRET GEOMETRIC TOLERANCING PER:	Q.A.		
MATERIAL ABS	COMMENTS:		
FINISH GRAY / SMOOTH			
DO NOT SCALE DRAWING			

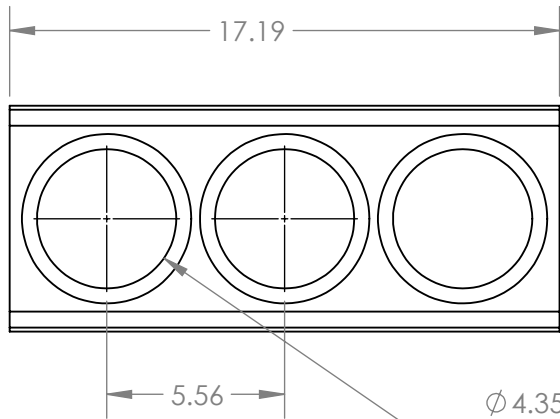
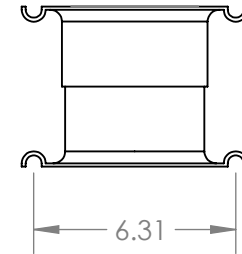
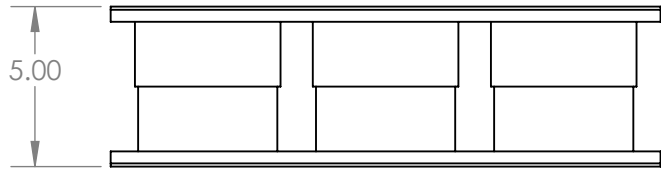
**Formex**<sup>®</sup>  
manufacturing, inc.

TITLE:  
**TERMINATOR**

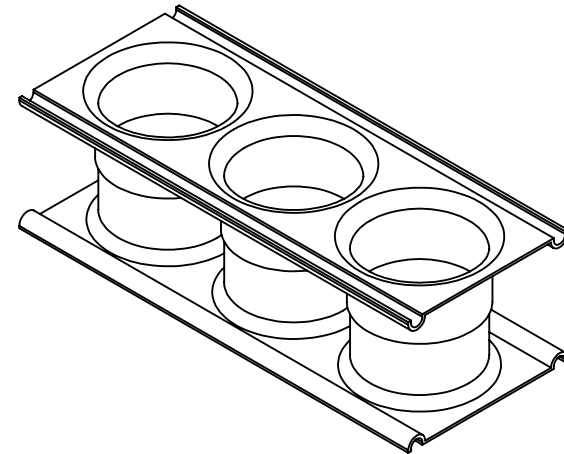
SIZE <b>A</b>	DWG. NO. FX-3753-A	REV <b>A</b>
------------------	-----------------------	-----------------

SCALE: 1:6 SHEET 202 OF 314

# T4T3-1010-5SW



Ø 4.35" HOLE FOR  
4" BELL TELEPHONE  
T CONDUIT



**PROPRIETARY AND CONFIDENTIAL**  
THE INFORMATION CONTAINED IN THIS DRAWING IS THE SOLE PROPERTY OF FORMEX MANUFACTURING. ANY REPRODUCTION IN PART OR AS A WHOLE WITHOUT THE WRITTEN PERMISSION OF FORMEX MANUFACTURING IS PROHIBITED.

UNLESS OTHERWISE SPECIFIED:		NAME	DATE
DIMENSIONS ARE IN INCHES	DRAWN	HKF	6/28/2024
TOLERANCES:	CHECKED		
FRACTIONAL ±1/32"	ENG APPR.		
ANGULAR: ±2°	MFG APPR.		
TWO PLACE DECIMAL ±0.03"	Q.A.		
THREE PLACE DECIMAL ±0.010"	COMMENTS:		
INTERPRET GEOMETRIC TOLERANCING PER:			
MATERIAL			
ABS			
FINISH			
GRAY / SMOOTH			
DO NOT SCALE DRAWING			

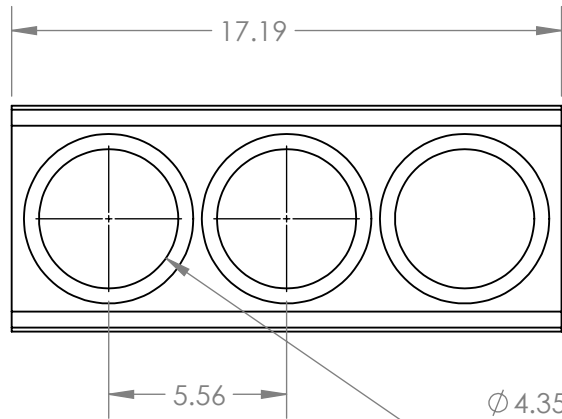
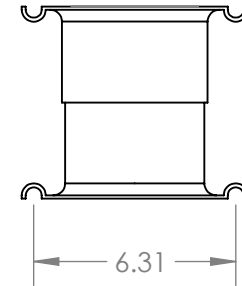
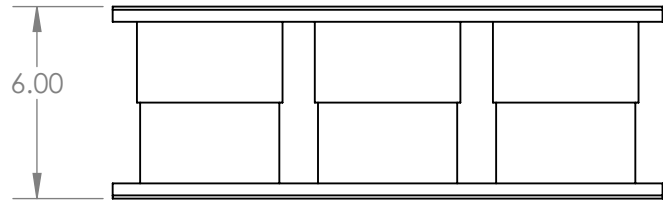
**Formex**<sup>®</sup>  
manufacturing, inc.

TITLE:  
**TERMINATOR**

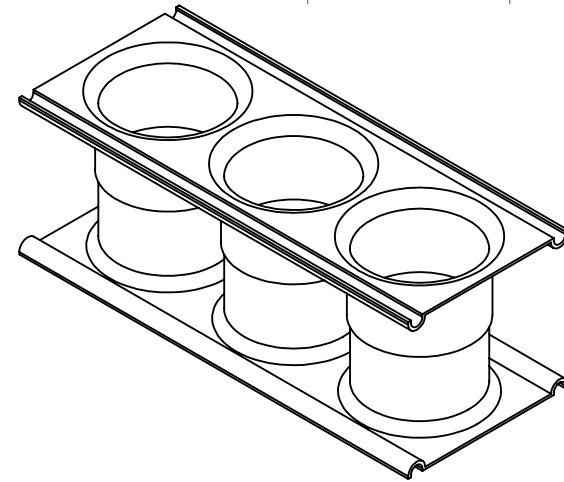
SIZE <b>A</b>	DWG. NO. FX-3753-A	REV <b>A</b>
------------------	-----------------------	-----------------

SCALE: 1:6 SHEET 203 OF 314

# T4T3-1010-6SW



Ø 4.35" HOLE FOR  
4" BELL TELEPHONE  
T CONDUIT



**PROPRIETARY AND CONFIDENTIAL**  
THE INFORMATION CONTAINED IN THIS DRAWING IS THE SOLE PROPERTY OF FORMEX MANUFACTURING. ANY REPRODUCTION IN PART OR AS A WHOLE WITHOUT THE WRITTEN PERMISSION OF FORMEX MANUFACTURING IS PROHIBITED.

UNLESS OTHERWISE SPECIFIED:		NAME	DATE
DIMENSIONS ARE IN INCHES	DRAWN	HKF	6/28/2024
TOLERANCES:	CHECKED		
FRACTIONAL ±1/32"	ENG APPR.		
ANGULAR: ±2°	MFG APPR.		
TWO PLACE DECIMAL ±0.03"	Q.A.		
THREE PLACE DECIMAL ±0.010"	COMMENTS:		
INTERPRET GEOMETRIC TOLERANCING PER:			
MATERIAL			
ABS			
FINISH			
GRAY / SMOOTH			
DO NOT SCALE DRAWING			

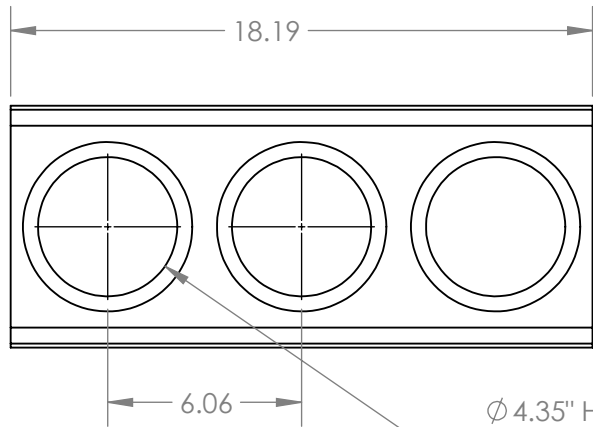
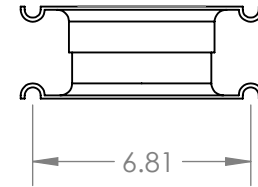
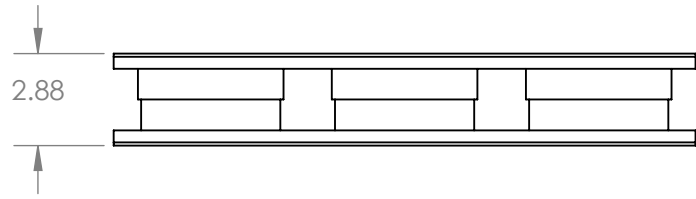
**Formex**<sup>®</sup>  
manufacturing, inc.

TITLE:  
**TERMINATOR**

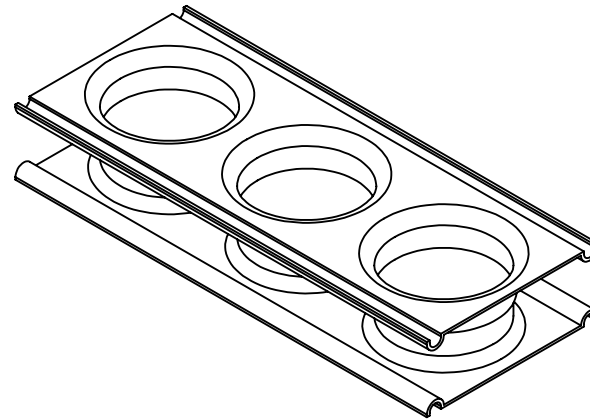
SIZE <b>A</b>	DWG. NO. FX-3753-A	REV <b>A</b>
------------------	-----------------------	-----------------

SCALE: 1:6 SHEET 204 OF 314

# T4T3-1515-2 7/8SW



Ø 4.35" HOLE FOR  
4" BELL TELEPHONE  
T CONDUIT



**PROPRIETARY AND CONFIDENTIAL**  
THE INFORMATION CONTAINED IN THIS DRAWING IS THE SOLE PROPERTY OF FORMEX MANUFACTURING. ANY REPRODUCTION IN PART OR AS A WHOLE WITHOUT THE WRITTEN PERMISSION OF FORMEX MANUFACTURING IS PROHIBITED.

UNLESS OTHERWISE SPECIFIED:	NAME	DATE
DIMENSIONS ARE IN INCHES	DRAWN	HKF 6/28/2024
TOLERANCES:	CHECKED	
FRACTIONAL ±1/32"	ENG APPR.	
ANGULAR: ±2°	MFG APPR.	
TWO PLACE DECIMAL ±0.03"	Q.A.	
THREE PLACE DECIMAL ±0.010"	COMMENTS:	
INTERPRET GEOMETRIC TOLERANCING PER:		
MATERIAL		
ABS		
FINISH		
GRAY / SMOOTH		
DO NOT SCALE DRAWING		

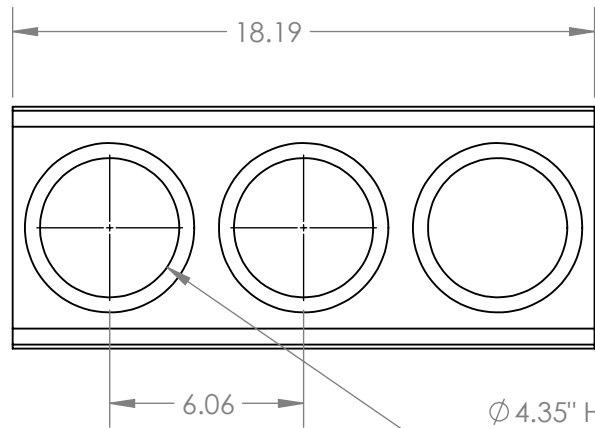
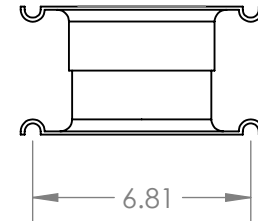
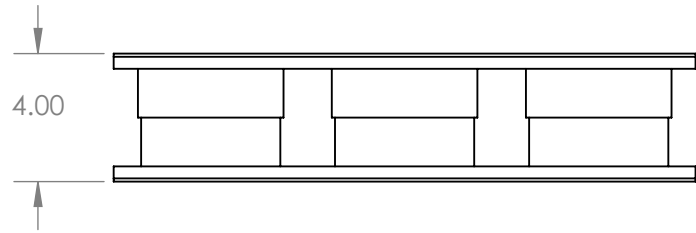
**Formex**<sup>®</sup>  
manufacturing, inc.

TITLE:  
**TERMINATOR**

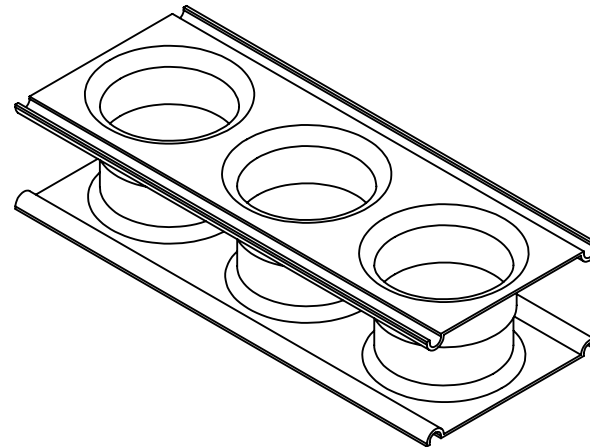
SIZE <b>A</b>	DWG. NO. FX-3753-A	REV <b>A</b>
------------------	-----------------------	-----------------

SCALE: 1:6 SHEET 205 OF 314

# T4T3-1515-4SW



Ø 4.35" HOLE FOR  
4" BELL TELEPHONE  
T CONDUIT



**PROPRIETARY AND CONFIDENTIAL**  
THE INFORMATION CONTAINED IN THIS DRAWING IS THE SOLE PROPERTY OF FORMEX MANUFACTURING. ANY REPRODUCTION IN PART OR AS A WHOLE WITHOUT THE WRITTEN PERMISSION OF FORMEX MANUFACTURING IS PROHIBITED.

UNLESS OTHERWISE SPECIFIED:	NAME	DATE
DIMENSIONS ARE IN INCHES	DRAWN	HKF 6/28/2024
TOLERANCES:	CHECKED	
FRACTIONAL ±1/32"	ENG APPR.	
ANGULAR: ±2°	MFG APPR.	
TWO PLACE DECIMAL ±0.03"	Q.A.	
THREE PLACE DECIMAL ±0.010"	COMMENTS:	
INTERPRET GEOMETRIC TOLERANCING PER:		
MATERIAL		
ABS		
FINISH		
GRAY / SMOOTH		
DO NOT SCALE DRAWING		

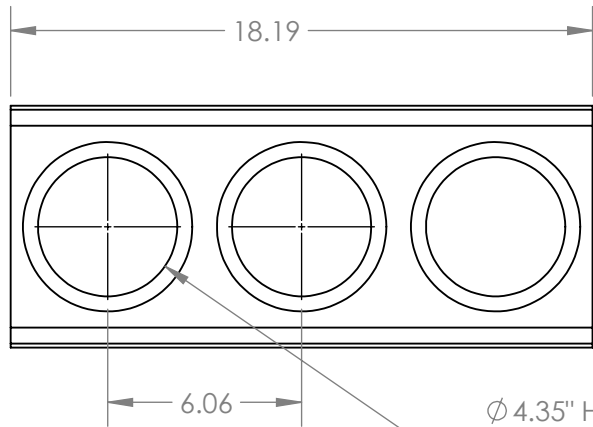
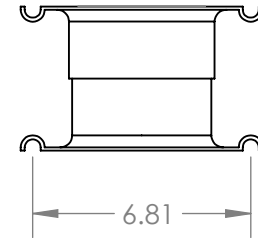
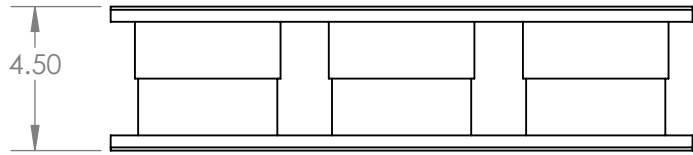
**Formex**<sup>®</sup>  
manufacturing, inc.

TITLE:  
**TERMINATOR**

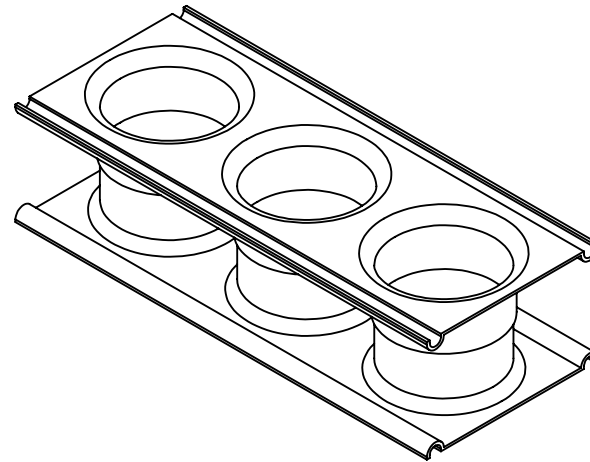
SIZE <b>A</b>	DWG. NO. FX-3753-A	REV <b>A</b>
------------------	-----------------------	-----------------

SCALE: 1:6 SHEET 206 OF 314

# T4T3-1515-4 1/2SW



Ø 4.35" HOLE FOR  
4" BELL TELEPHONE  
T CONDUIT



**PROPRIETARY AND CONFIDENTIAL**  
THE INFORMATION CONTAINED IN THIS DRAWING IS THE SOLE PROPERTY OF FORMEX MANUFACTURING. ANY REPRODUCTION IN PART OR AS A WHOLE WITHOUT THE WRITTEN PERMISSION OF FORMEX MANUFACTURING IS PROHIBITED.

UNLESS OTHERWISE SPECIFIED:	NAME	DATE
DIMENSIONS ARE IN INCHES	DRAWN	HKF 6/28/2024
TOLERANCES:	CHECKED	
FRACTIONAL ±1/32"	ENG APPR.	
ANGULAR: ±2°	MFG APPR.	
TWO PLACE DECIMAL ±0.03"	Q.A.	
THREE PLACE DECIMAL ±0.010"	COMMENTS:	
INTERPRET GEOMETRIC TOLERANCING PER:		
MATERIAL		
ABS		
FINISH		
GRAY / SMOOTH		
DO NOT SCALE DRAWING		

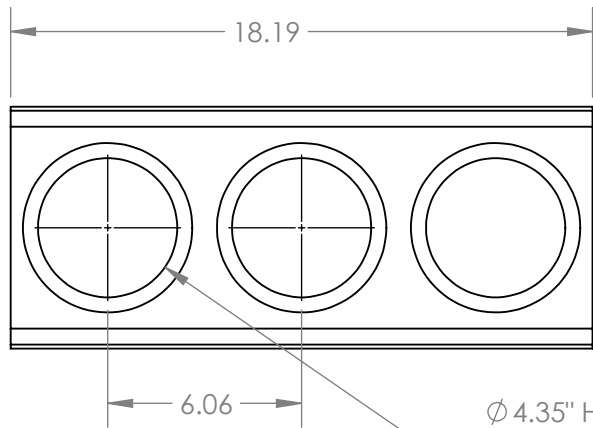
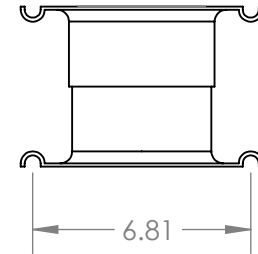
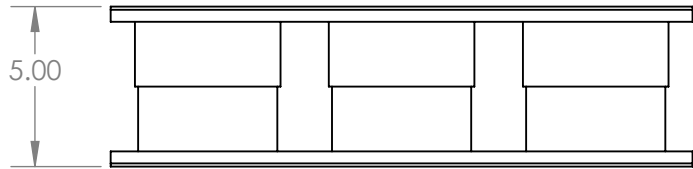
**Formex**<sup>®</sup>  
manufacturing, inc.

TITLE:  
**TERMINATOR**

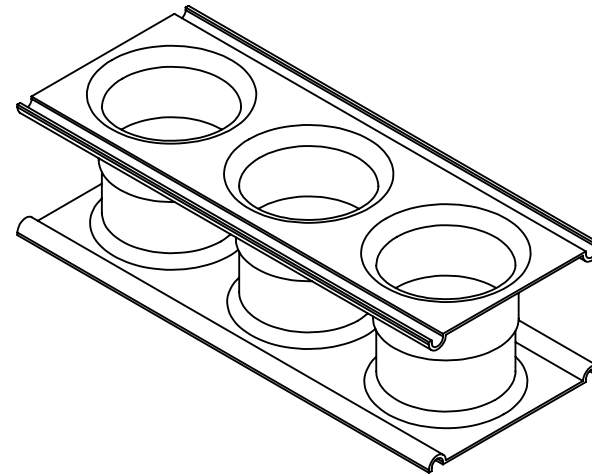
SIZE <b>A</b>	DWG. NO. FX-3753-A	REV <b>A</b>
------------------	-----------------------	-----------------

SCALE: 1:6 SHEET 207 OF 314

# T4T3-1515-5SW



Ø 4.35" HOLE FOR  
4" BELL TELEPHONE  
T CONDUIT



**PROPRIETARY AND CONFIDENTIAL**  
THE INFORMATION CONTAINED IN THIS DRAWING IS THE SOLE PROPERTY OF FORMEX MANUFACTURING. ANY REPRODUCTION IN PART OR AS A WHOLE WITHOUT THE WRITTEN PERMISSION OF FORMEX MANUFACTURING IS PROHIBITED.

UNLESS OTHERWISE SPECIFIED:	NAME	DATE
DIMENSIONS ARE IN INCHES	DRAWN	HKF 6/28/2024
TOLERANCES:	CHECKED	
FRACTIONAL ±1/32"	ENG APPR.	
ANGULAR: ±2°	MFG APPR.	
TWO PLACE DECIMAL ±0.03"	Q.A.	
THREE PLACE DECIMAL ±0.010"	COMMENTS:	
INTERPRET GEOMETRIC TOLERANCING PER:		
MATERIAL		
ABS		
FINISH		
GRAY / SMOOTH		
DO NOT SCALE DRAWING		

**Formex**<sup>®</sup>  
manufacturing, inc.

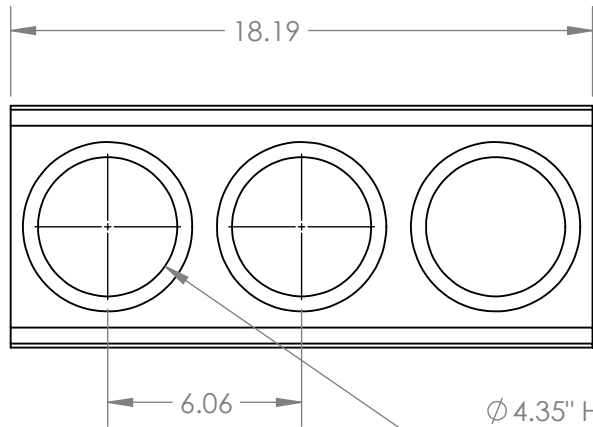
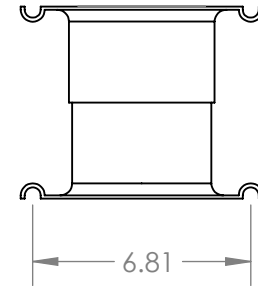
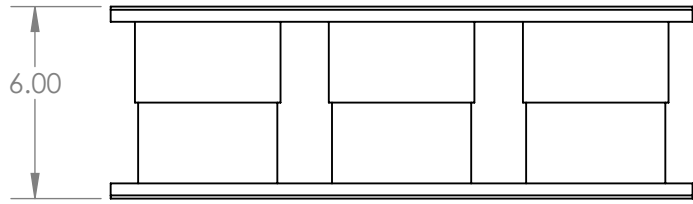
TITLE:  
**TERMINATOR**

SIZE	DWG. NO.	REV
<b>A</b>	FX-3753-A	<b>A</b>

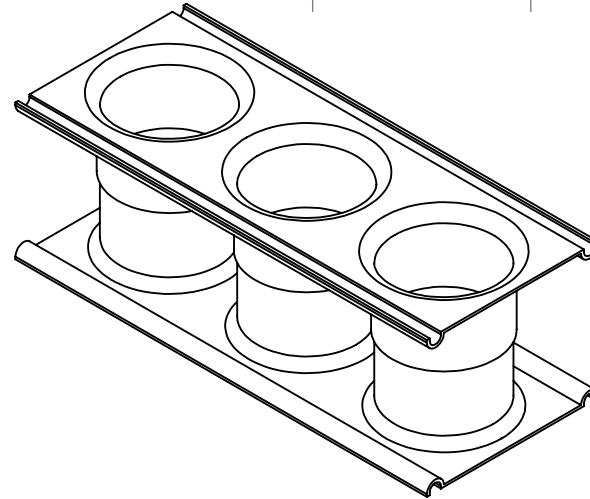
SCALE: 1:6 SHEET 208 OF 314



# T4T3-1515-6SW



Ø 4.35" HOLE FOR  
4" BELL TELEPHONE  
T CONDUIT



**PROPRIETARY AND CONFIDENTIAL**  
THE INFORMATION CONTAINED IN THIS DRAWING IS THE SOLE PROPERTY OF FORMEX MANUFACTURING. ANY REPRODUCTION IN PART OR AS A WHOLE WITHOUT THE WRITTEN PERMISSION OF FORMEX MANUFACTURING IS PROHIBITED.

UNLESS OTHERWISE SPECIFIED:		NAME	DATE
DIMENSIONS ARE IN INCHES	DRAWN	HKF	6/28/2024
TOLERANCES:	CHECKED		
FRACTIONAL ±1/32"	ENG APPR.		
ANGULAR: ±2°	MFG APPR.		
TWO PLACE DECIMAL ±0.03"	Q.A.		
THREE PLACE DECIMAL ±0.010"	COMMENTS:		
INTERPRET GEOMETRIC TOLERANCING PER:			
MATERIAL			
ABS			
FINISH			
GRAY / SMOOTH			
DO NOT SCALE DRAWING			

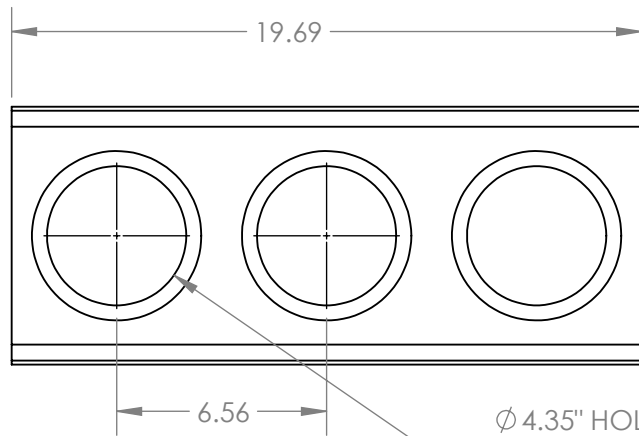
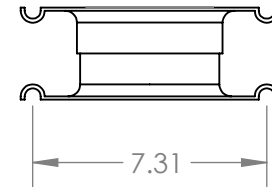
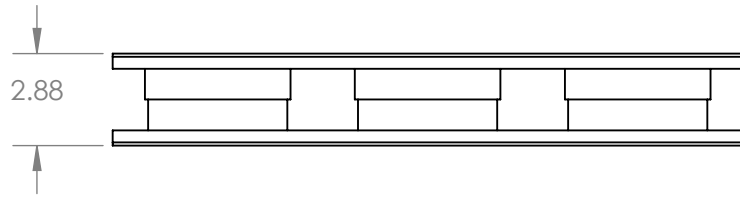
**Formex**<sup>®</sup>  
manufacturing, inc.

TITLE:  
**TERMINATOR**

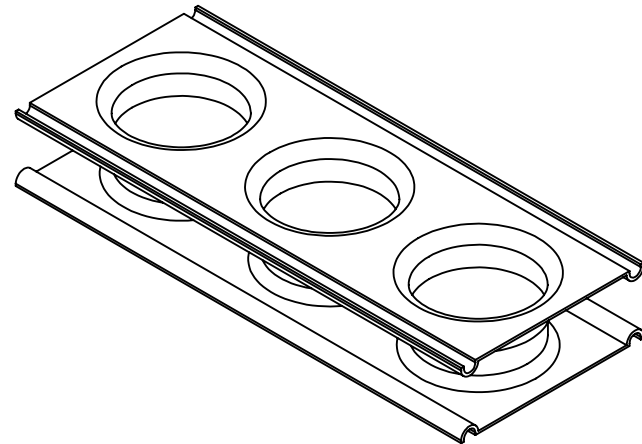
SIZE <b>A</b>	DWG. NO. FX-3753-A	REV <b>A</b>
------------------	-----------------------	-----------------

SCALE: 1:6 SHEET 209 OF 314

# T4T3-2020-2 7/8SW



Ø 4.35" HOLE FOR  
4" BELL TELEPHONE  
T CONDUIT



**PROPRIETARY AND CONFIDENTIAL**  
THE INFORMATION CONTAINED IN THIS DRAWING IS THE SOLE PROPERTY OF FORMEX MANUFACTURING. ANY REPRODUCTION IN PART OR AS A WHOLE WITHOUT THE WRITTEN PERMISSION OF FORMEX MANUFACTURING IS PROHIBITED.

UNLESS OTHERWISE SPECIFIED:		NAME	DATE
DIMENSIONS ARE IN INCHES TOLERANCES: FRACTIONAL $\pm 1/32"$ ANGULAR: $\pm 2^\circ$ TWO PLACE DECIMAL $\pm 0.03"$ THREE PLACE DECIMAL $\pm 0.010"$	DRAWN	HKF	6/28/2024
	CHECKED		
	ENG APPR.		
	MFG APPR.		
INTERPRET GEOMETRIC TOLERANCING PER:	Q.A.		
MATERIAL ABS	COMMENTS:		
FINISH GRAY / SMOOTH			
DO NOT SCALE DRAWING			

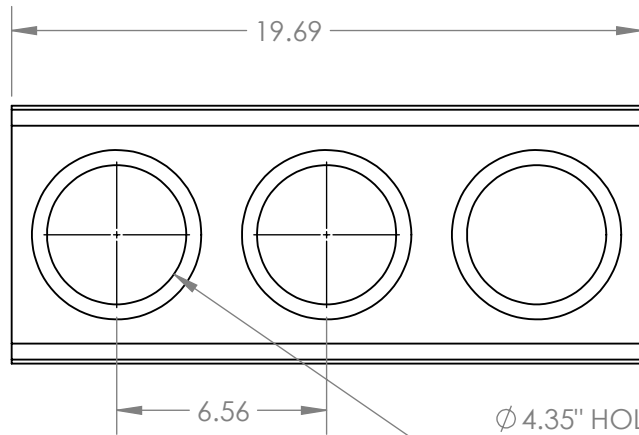
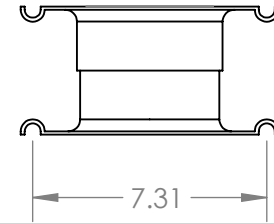
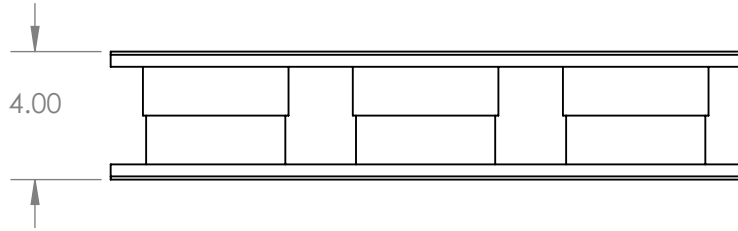
**Formex**<sup>®</sup>  
manufacturing, inc.

TITLE:  
**TERMINATOR**

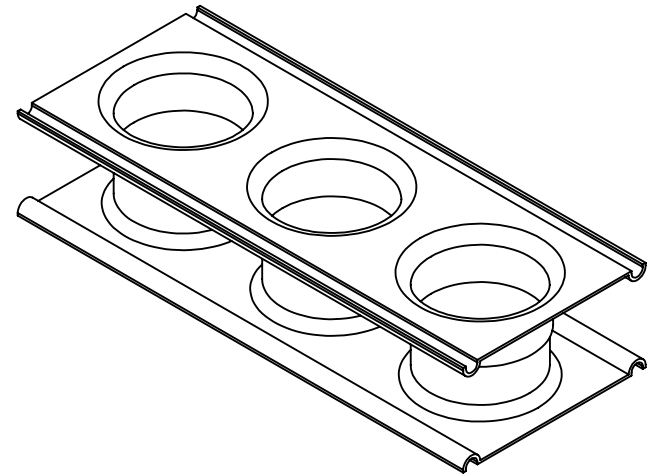
SIZE <b>A</b>	DWG. NO. FX-3753-A	REV <b>A</b>
------------------	-----------------------	-----------------

SCALE: 1:6 SHEET 210 OF 314

# T4T3-2020-4SW



Ø 4.35" HOLE FOR  
4" BELL TELEPHONE  
T CONDUIT



**PROPRIETARY AND CONFIDENTIAL**  
THE INFORMATION CONTAINED IN THIS DRAWING IS THE SOLE PROPERTY OF FORMEX MANUFACTURING. ANY REPRODUCTION IN PART OR AS A WHOLE WITHOUT THE WRITTEN PERMISSION OF FORMEX MANUFACTURING IS PROHIBITED.

UNLESS OTHERWISE SPECIFIED:		NAME	DATE
DIMENSIONS ARE IN INCHES TOLERANCES: FRACTIONAL: ±1/32" ANGULAR: ±2° TWO PLACE DECIMAL ±0.03" THREE PLACE DECIMAL ±0.010"	DRAWN	HKF	6/28/2024
	CHECKED		
	ENG APPR.		
	MFG APPR.		
INTERPRET GEOMETRIC TOLERANCING PER:	Q.A.		
MATERIAL ABS	COMMENTS:		
FINISH GRAY / SMOOTH			
DO NOT SCALE DRAWING			

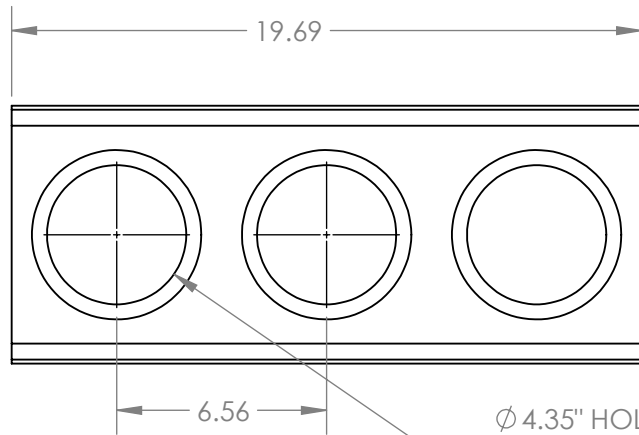
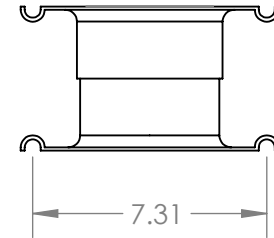
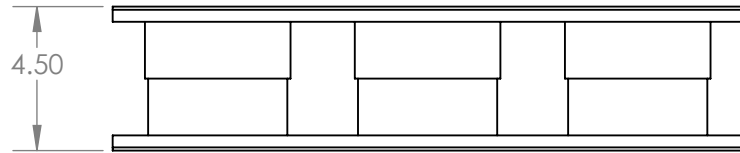
**Formex**<sup>®</sup>  
manufacturing, inc.

TITLE:  
**TERMINATOR**

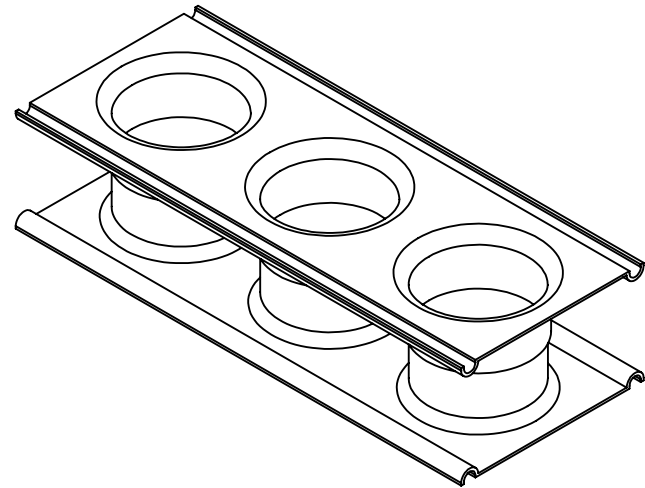
SIZE <b>A</b>	DWG. NO. FX-3753-A	REV <b>A</b>
------------------	-----------------------	-----------------

SCALE: 1:6 SHEET 211 OF 314

# T4T3-2020-4 1/2SW



Ø 4.35" HOLE FOR  
4" BELL TELEPHONE  
T CONDUIT



**PROPRIETARY AND CONFIDENTIAL**  
THE INFORMATION CONTAINED IN THIS DRAWING IS THE SOLE PROPERTY OF FORMEX MANUFACTURING. ANY REPRODUCTION IN PART OR AS A WHOLE WITHOUT THE WRITTEN PERMISSION OF FORMEX MANUFACTURING IS PROHIBITED.

UNLESS OTHERWISE SPECIFIED:		NAME	DATE
DIMENSIONS ARE IN INCHES TOLERANCES: FRACTIONAL ±1/32" ANGULAR: ±2° TWO PLACE DECIMAL ±0.03" THREE PLACE DECIMAL ±0.010"	DRAWN	HKF	6/28/2024
	CHECKED		
	ENG APPR.		
	MFG APPR.		
INTERPRET GEOMETRIC TOLERANCING PER:	Q.A.		
MATERIAL ABS	COMMENTS:		
FINISH GRAY / SMOOTH			
DO NOT SCALE DRAWING			

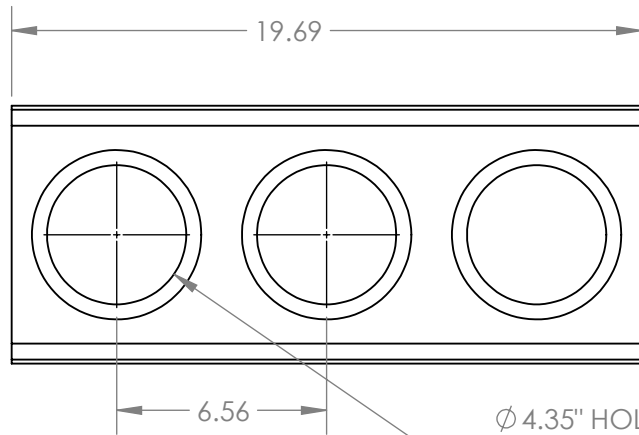
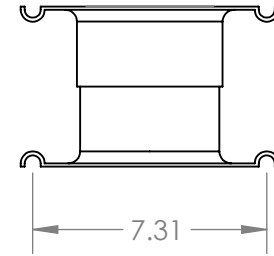
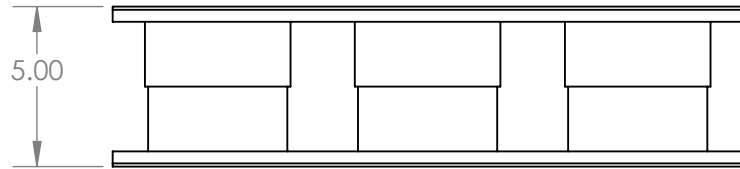
**Formex**<sup>®</sup>  
manufacturing, inc.

TITLE:  
**TERMINATOR**

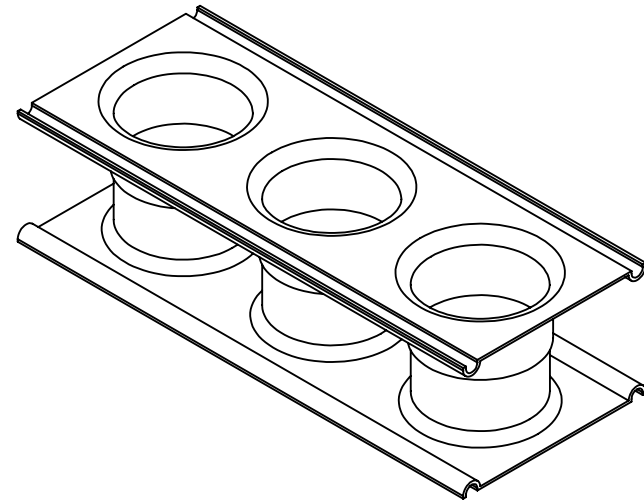
SIZE <b>A</b>	DWG. NO. FX-3753-A	REV <b>A</b>
------------------	-----------------------	-----------------

SCALE: 1:6 SHEET 212 OF 314

# T4T3-2020-5SW



Ø 4.35" HOLE FOR  
4" BELL TELEPHONE  
T CONDUIT



**PROPRIETARY AND CONFIDENTIAL**  
THE INFORMATION CONTAINED IN THIS DRAWING IS THE SOLE PROPERTY OF FORMEX MANUFACTURING. ANY REPRODUCTION IN PART OR AS A WHOLE WITHOUT THE WRITTEN PERMISSION OF FORMEX MANUFACTURING IS PROHIBITED.

UNLESS OTHERWISE SPECIFIED:	NAME	DATE
DIMENSIONS ARE IN INCHES	DRAWN	HKF 6/28/2024
TOLERANCES:	CHECKED	
FRACTIONAL ±1/32"	ENG APPR.	
ANGULAR: ±2°	MFG APPR.	
TWO PLACE DECIMAL ±0.03"	Q.A.	
THREE PLACE DECIMAL ±0.010"	COMMENTS:	
INTERPRET GEOMETRIC TOLERANCING PER:		
MATERIAL		
ABS		
FINISH		
GRAY / SMOOTH		
DO NOT SCALE DRAWING		

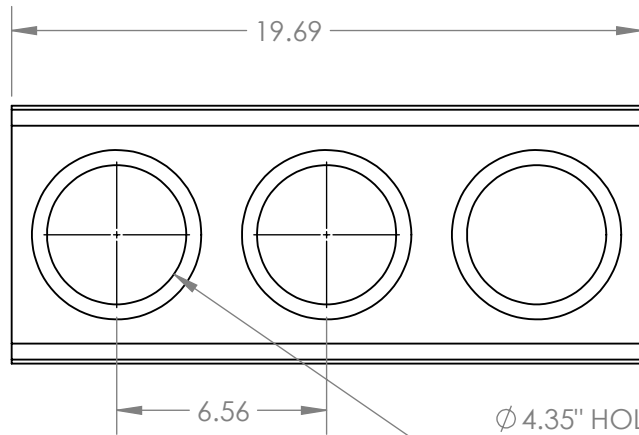
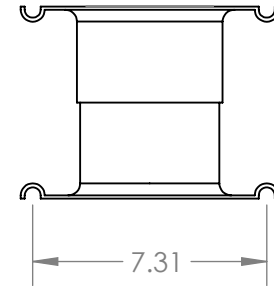
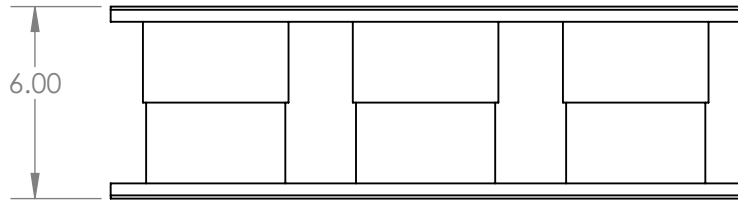
**Formex**<sup>®</sup>  
manufacturing, inc.

TITLE:  
**TERMINATOR**

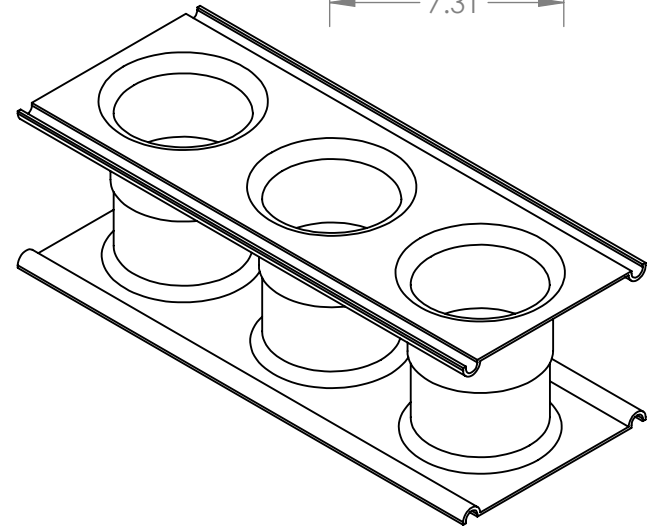
SIZE	DWG. NO.	REV
<b>A</b>	FX-3753-A	<b>A</b>

SCALE: 1:6 SHEET 213 OF 314

# T4T3-2020-6SW



Ø 4.35" HOLE FOR  
4" BELL TELEPHONE  
T CONDUIT



**PROPRIETARY AND CONFIDENTIAL**  
THE INFORMATION CONTAINED IN THIS DRAWING IS THE SOLE PROPERTY OF FORMEX MANUFACTURING. ANY REPRODUCTION IN PART OR AS A WHOLE WITHOUT THE WRITTEN PERMISSION OF FORMEX MANUFACTURING IS PROHIBITED.

UNLESS OTHERWISE SPECIFIED:	NAME	DATE
DIMENSIONS ARE IN INCHES	DRAWN	HKF 6/28/2024
TOLERANCES:	CHECKED	
FRACTIONAL ±1/32"	ENG APPR.	
ANGULAR: ±2°	MFG APPR.	
TWO PLACE DECIMAL ±0.03"	Q.A.	
THREE PLACE DECIMAL ±0.010"	COMMENTS:	
INTERPRET GEOMETRIC TOLERANCING PER:		
MATERIAL		
ABS		
FINISH		
GRAY / SMOOTH		
DO NOT SCALE DRAWING		

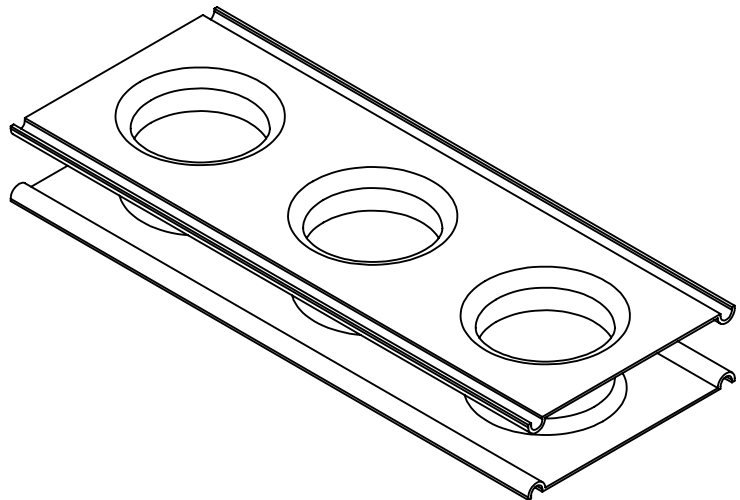
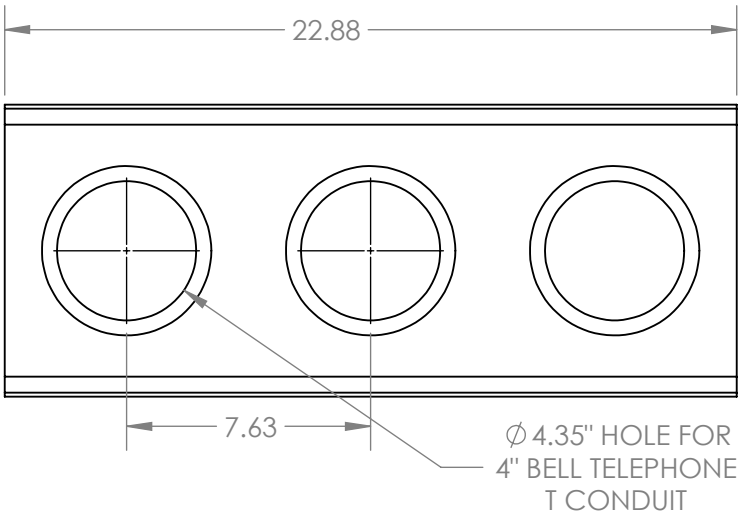
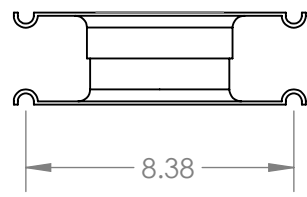
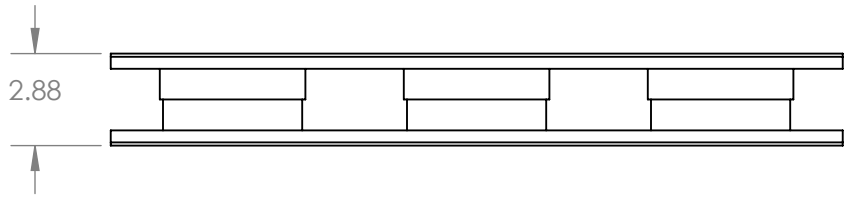
**Formex**<sup>®</sup>  
manufacturing, inc.

TITLE:  
**TERMINATOR**

SIZE <b>A</b>	DWG. NO. FX-3753-A	REV <b>A</b>
------------------	-----------------------	-----------------

SCALE: 1:6 SHEET 214 OF 314

# T4T3-3030-2 7/8SW



**PROPRIETARY AND CONFIDENTIAL**  
 THE INFORMATION CONTAINED IN THIS DRAWING IS THE SOLE PROPERTY OF FORMEX MANUFACTURING. ANY REPRODUCTION IN PART OR AS A WHOLE WITHOUT THE WRITTEN PERMISSION OF FORMEX MANUFACTURING IS PROHIBITED.

UNLESS OTHERWISE SPECIFIED:	NAME	DATE
DIMENSIONS ARE IN INCHES	DRAWN	HKF 6/28/2024
TOLERANCES:	CHECKED	
FRACTIONAL ±1/32"	ENG APPR.	
ANGULAR: ±2°	MFG APPR.	
TWO PLACE DECIMAL ±0.03"	Q.A.	
THREE PLACE DECIMAL ±0.010"	COMMENTS:	
INTERPRET GEOMETRIC TOLERANCING PER:		
MATERIAL		
ABS		
FINISH		
GRAY / SMOOTH		
DO NOT SCALE DRAWING		

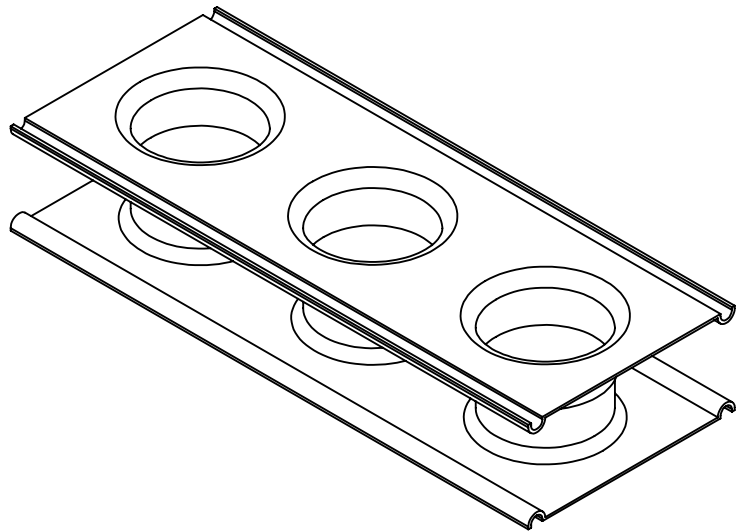
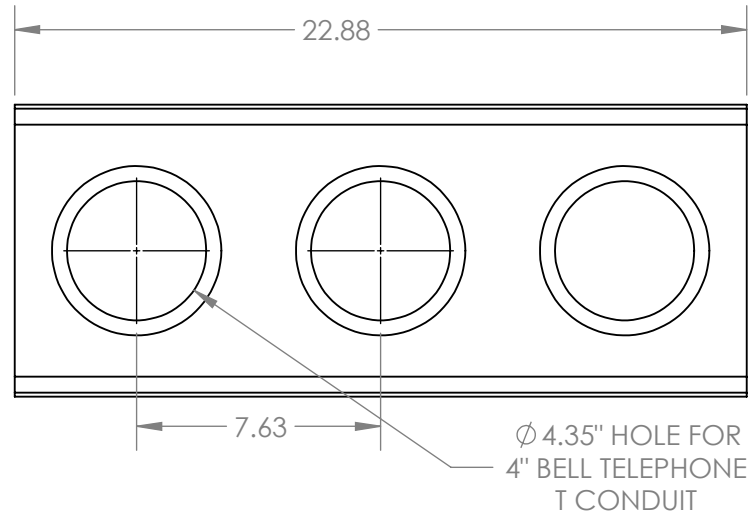
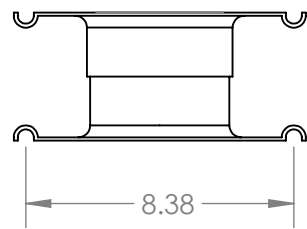
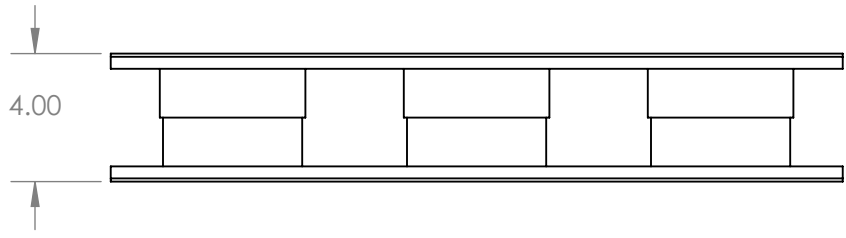
**Formex**<sup>®</sup>  
 manufacturing, inc.

TITLE:  
**TERMINATOR**

SIZE	DWG. NO.	REV
<b>A</b>	FX-3753-A	<b>A</b>

SCALE: 1:6 SHEET 215 OF 314

# T4T3-3030-4SW



**PROPRIETARY AND CONFIDENTIAL**  
 THE INFORMATION CONTAINED IN THIS DRAWING IS THE SOLE PROPERTY OF FORMEX MANUFACTURING. ANY REPRODUCTION IN PART OR AS A WHOLE WITHOUT THE WRITTEN PERMISSION OF FORMEX MANUFACTURING IS PROHIBITED.

UNLESS OTHERWISE SPECIFIED:	NAME	DATE
DIMENSIONS ARE IN INCHES	DRAWN	HKF 6/28/2024
TOLERANCES:	CHECKED	
FRACTIONAL ±1/32"	ENG APPR.	
ANGULAR: ±2°	MFG APPR.	
TWO PLACE DECIMAL ±0.03"	Q.A.	
THREE PLACE DECIMAL ±0.010"	COMMENTS:	
INTERPRET GEOMETRIC TOLERANCING PER:		
MATERIAL		
ABS		
FINISH		
GRAY / SMOOTH		
DO NOT SCALE DRAWING		

**Formex**<sup>®</sup>  
 manufacturing, inc.

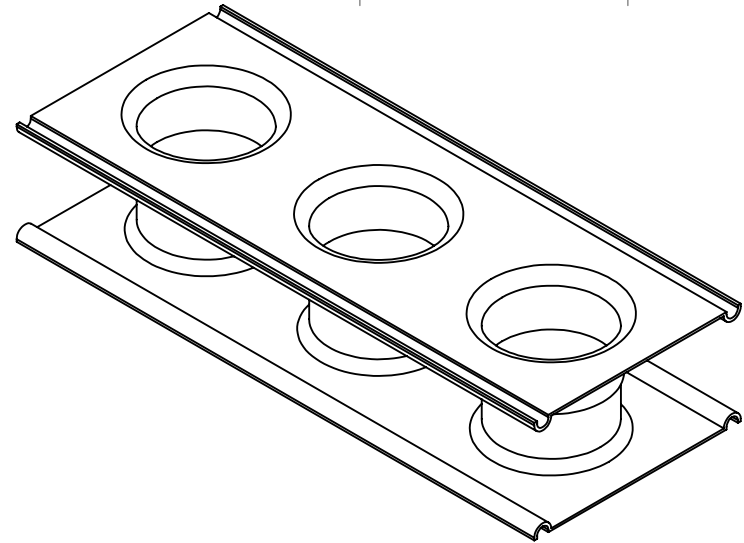
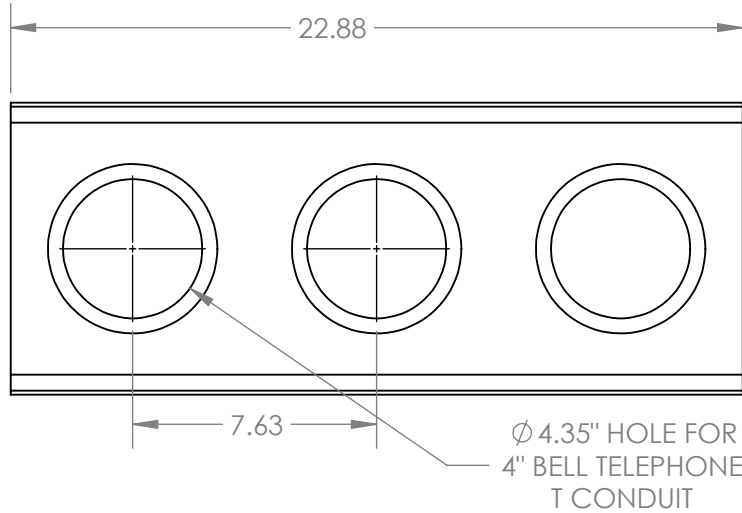
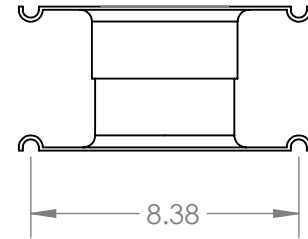
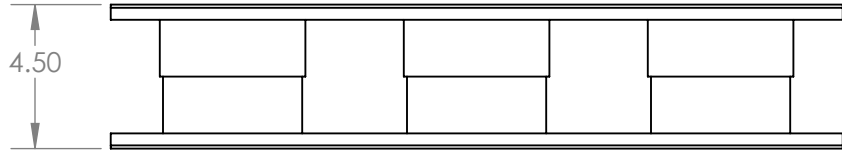
TITLE:  
**TERMINATOR**

SIZE <b>A</b>	DWG. NO. FX-3753-A	REV <b>A</b>
------------------	-----------------------	-----------------

SCALE: 1:6 SHEET 216 OF 314



# T4T3-3030-4 1/2SW



**PROPRIETARY AND CONFIDENTIAL**  
 THE INFORMATION CONTAINED IN THIS DRAWING IS THE SOLE PROPERTY OF FORMEX MANUFACTURING. ANY REPRODUCTION IN PART OR AS A WHOLE WITHOUT THE WRITTEN PERMISSION OF FORMEX MANUFACTURING IS PROHIBITED.

UNLESS OTHERWISE SPECIFIED:		NAME	DATE
DIMENSIONS ARE IN INCHES TOLERANCES: FRACTIONAL $\pm 1/32"$ ANGULAR: $\pm 2^\circ$ TWO PLACE DECIMAL $\pm 0.03"$ THREE PLACE DECIMAL $\pm 0.010"$	DRAWN	HKF	6/28/2024
	CHECKED		
	ENG APPR.		
	MFG APPR.		
INTERPRET GEOMETRIC TOLERANCING PER:	Q.A.		
MATERIAL ABS	COMMENTS:		
FINISH GRAY / SMOOTH			
DO NOT SCALE DRAWING			

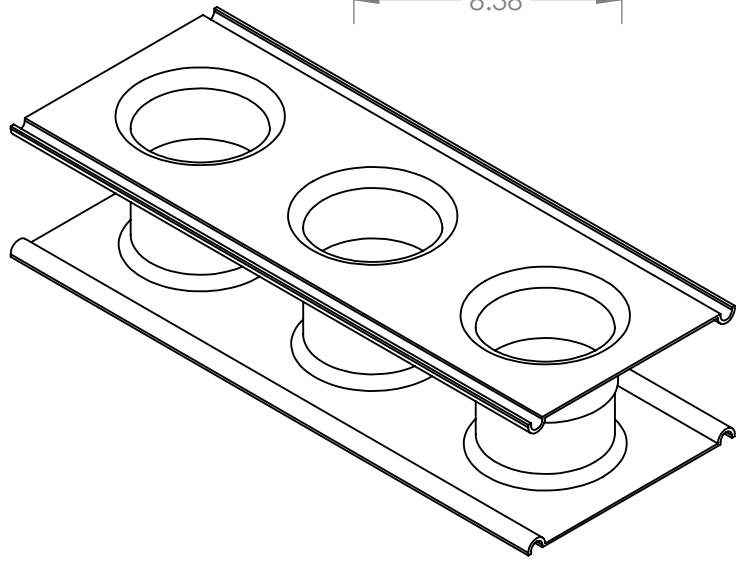
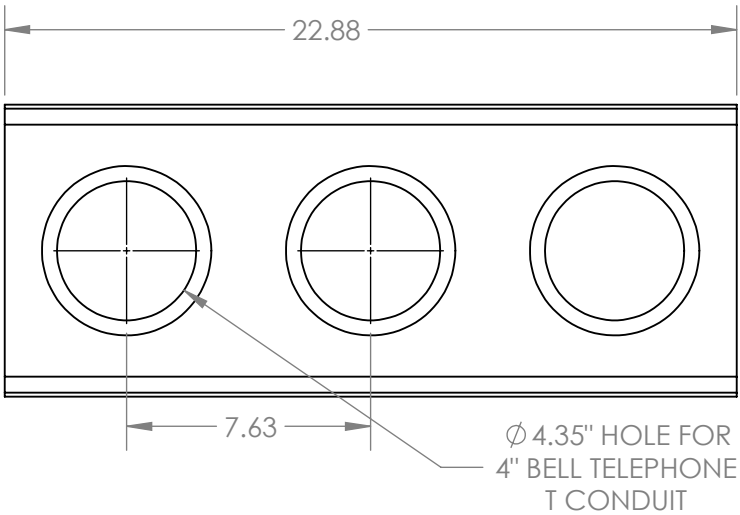
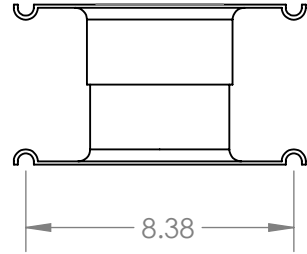
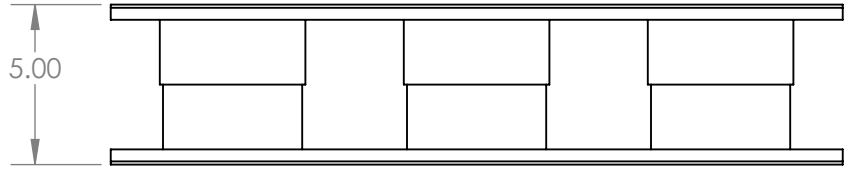
**Formex**<sup>®</sup>  
 manufacturing, inc.

TITLE:  
**TERMINATOR**

SIZE <b>A</b>	DWG. NO. FX-3753-A	REV <b>A</b>
------------------	-----------------------	-----------------

SCALE: 1:6 SHEET 217 OF 314

# T4T3-3030-5SW



**PROPRIETARY AND CONFIDENTIAL**  
THE INFORMATION CONTAINED IN THIS DRAWING IS THE SOLE PROPERTY OF FORMEX MANUFACTURING. ANY REPRODUCTION IN PART OR AS A WHOLE WITHOUT THE WRITTEN PERMISSION OF FORMEX MANUFACTURING IS PROHIBITED.

UNLESS OTHERWISE SPECIFIED:	NAME	DATE
DIMENSIONS ARE IN INCHES	DRAWN	HKF 6/28/2024
TOLERANCES:	CHECKED	
FRACTIONAL ±1/32"	ENG APPR.	
ANGULAR: ±2°	MFG APPR.	
TWO PLACE DECIMAL ±0.03"	Q.A.	
THREE PLACE DECIMAL ±0.010"	COMMENTS:	
INTERPRET GEOMETRIC TOLERANCING PER:		
MATERIAL		
ABS		
FINISH		
GRAY / SMOOTH		
DO NOT SCALE DRAWING		

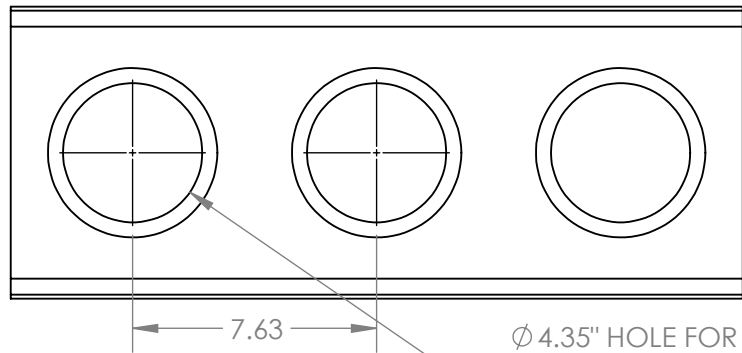
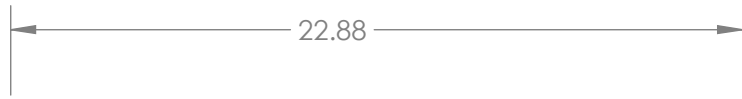
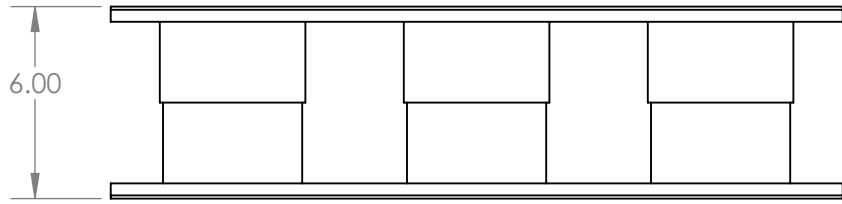
**Formex**<sup>®</sup>  
manufacturing, inc.

TITLE:  
**TERMINATOR**

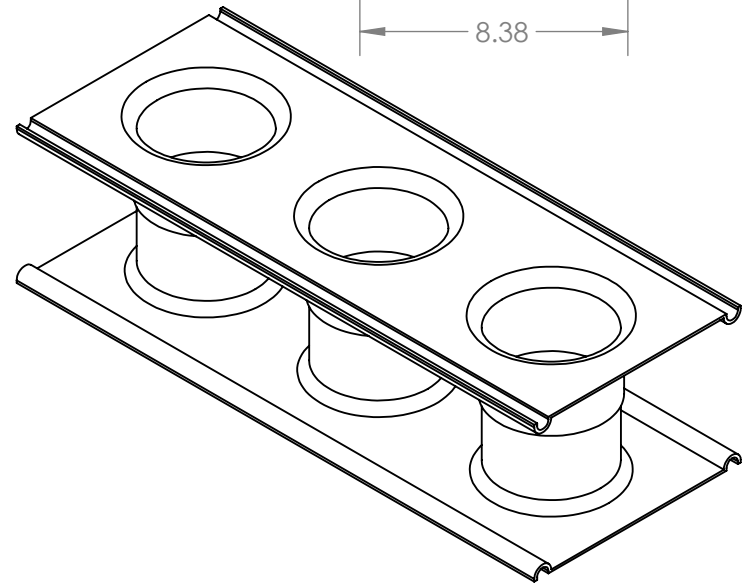
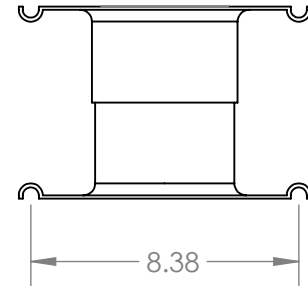
SIZE	DWG. NO.	REV
<b>A</b>	FX-3753-A	<b>A</b>

SCALE: 1:6 SHEET 218 OF 314

# T4T3-3030-6SW



Ø 4.35" HOLE FOR  
4" BELL TELEPHONE  
T CONDUIT



**PROPRIETARY AND CONFIDENTIAL**  
THE INFORMATION CONTAINED IN THIS  
DRAWING IS THE SOLE PROPERTY OF  
FORMEX MANUFACTURING. ANY  
REPRODUCTION IN PART OR AS A WHOLE  
WITHOUT THE WRITTEN PERMISSION OF  
FORMEX MANUFACTURING IS  
PROHIBITED.

UNLESS OTHERWISE SPECIFIED:		NAME	DATE
DIMENSIONS ARE IN INCHES TOLERANCES: FRACTIONAL $\pm 1/32"$ ANGULAR: $\pm 2^\circ$ TWO PLACE DECIMAL $\pm 0.03"$ THREE PLACE DECIMAL $\pm 0.010"$	DRAWN	HKF	6/28/2024
	CHECKED		
	ENG APPR.		
	MFG APPR.		
INTERPRET GEOMETRIC TOLERANCING PER:	Q.A.		
MATERIAL ABS	COMMENTS:		
FINISH GRAY / SMOOTH			
DO NOT SCALE DRAWING			

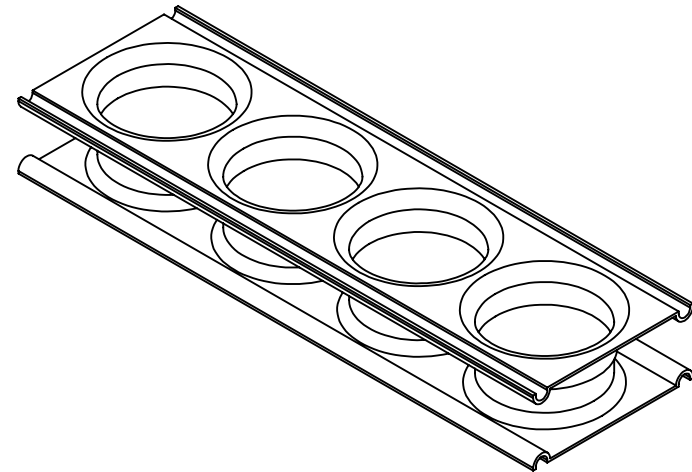
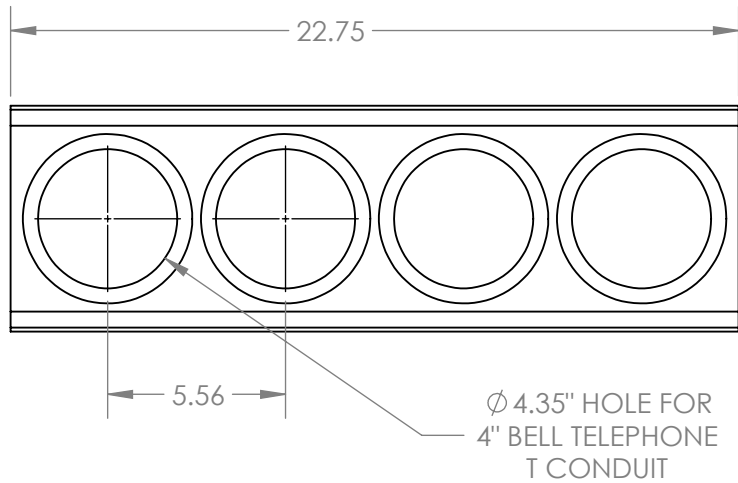
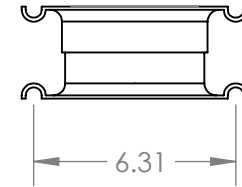
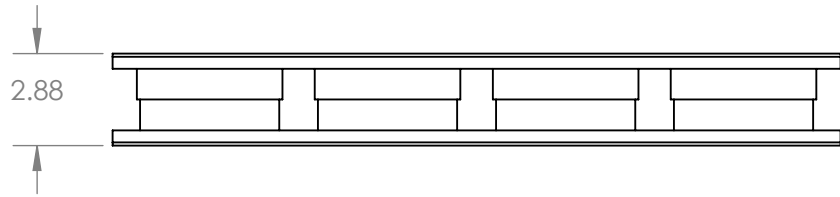
**Formex**<sup>®</sup>  
manufacturing, inc.

TITLE:  
**TERMINATOR**

SIZE <b>A</b>	DWG. NO. FX-3753-A	REV <b>A</b>
------------------	-----------------------	-----------------

SCALE: 1:6 SHEET 219 OF 314

# T4T4-1010-2 7/8SW



**PROPRIETARY AND CONFIDENTIAL**  
 THE INFORMATION CONTAINED IN THIS DRAWING IS THE SOLE PROPERTY OF FORMEX MANUFACTURING. ANY REPRODUCTION IN PART OR AS A WHOLE WITHOUT THE WRITTEN PERMISSION OF FORMEX MANUFACTURING IS PROHIBITED.

UNLESS OTHERWISE SPECIFIED:	NAME	DATE
DIMENSIONS ARE IN INCHES	DRAWN	HKF 6/28/2024
TOLERANCES:	CHECKED	
FRACTIONAL $\pm 1/32"$	ENG APPR.	
ANGULAR: $\pm 2^\circ$	MFG APPR.	
TWO PLACE DECIMAL $\pm 0.03"$	Q.A.	
THREE PLACE DECIMAL $\pm 0.010"$	COMMENTS:	
INTERPRET GEOMETRIC TOLERANCING PER:		
MATERIAL		
ABS		
FINISH		
GRAY / SMOOTH		
DO NOT SCALE DRAWING		

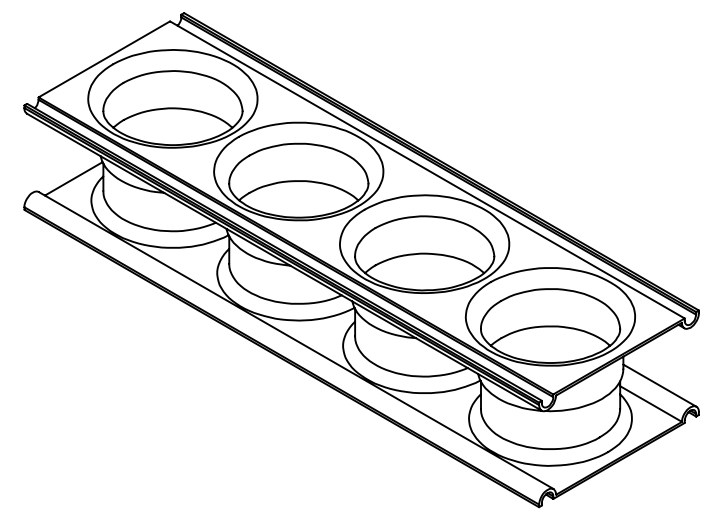
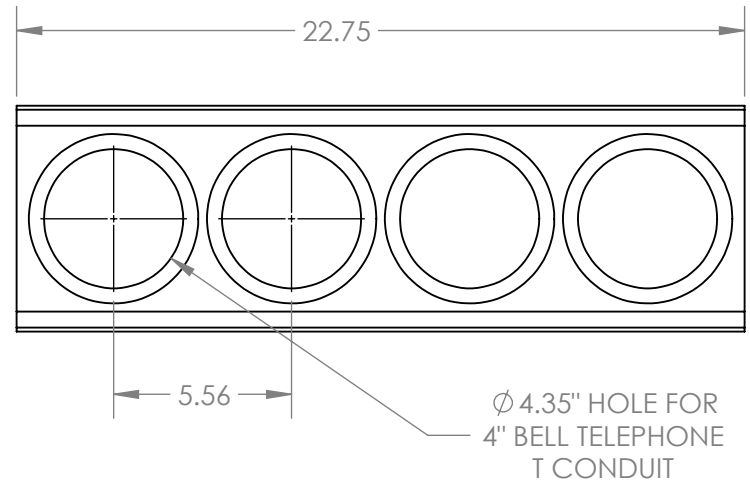
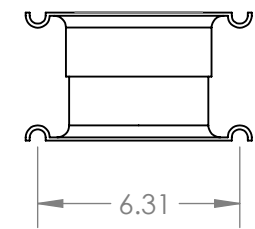
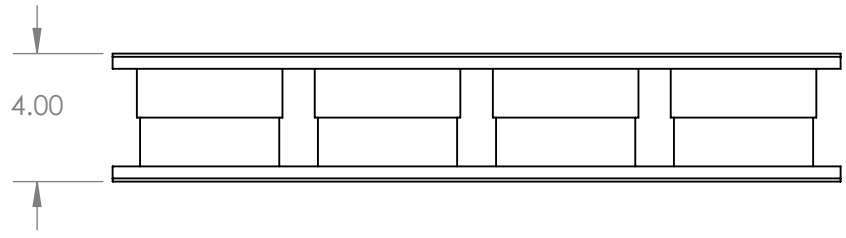
**Formex**<sup>®</sup>  
 manufacturing, inc.

TITLE:  
**TERMINATOR**

SIZE	DWG. NO.	REV
<b>A</b>	FX-3753-A	<b>A</b>

SCALE: 1:6 SHEET 220 OF 314

# T4T4-1010-4SW



**PROPRIETARY AND CONFIDENTIAL**  
 THE INFORMATION CONTAINED IN THIS DRAWING IS THE SOLE PROPERTY OF FORMEX MANUFACTURING. ANY REPRODUCTION IN PART OR AS A WHOLE WITHOUT THE WRITTEN PERMISSION OF FORMEX MANUFACTURING IS PROHIBITED.

UNLESS OTHERWISE SPECIFIED:	NAME	DATE
DIMENSIONS ARE IN INCHES	DRAWN	HKF 6/28/2024
TOLERANCES:	CHECKED	
FRACTIONAL $\pm 1/32"$	ENG APPR.	
ANGULAR: $\pm 2^\circ$	MFG APPR.	
TWO PLACE DECIMAL $\pm 0.03"$	Q.A.	
THREE PLACE DECIMAL $\pm 0.010"$	COMMENTS:	
INTERPRET GEOMETRIC TOLERANCING PER:		
MATERIAL		
ABS		
FINISH		
GRAY / SMOOTH		
DO NOT SCALE DRAWING		

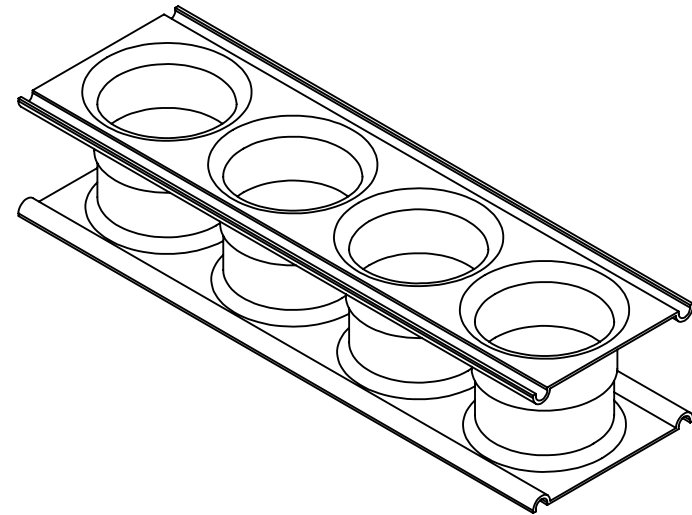
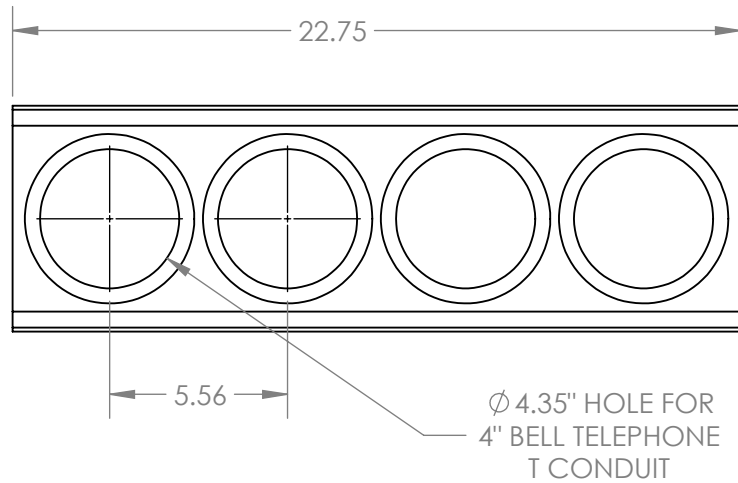
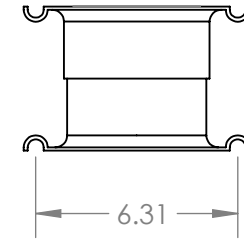
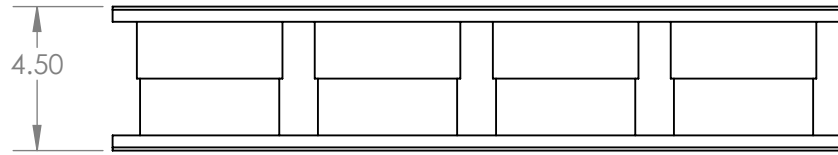
**Formex**<sup>®</sup>  
 manufacturing, inc.

TITLE:  
**TERMINATOR**

SIZE	DWG. NO.	REV
<b>A</b>	FX-3753-A	<b>A</b>

SCALE: 1:6 SHEET 221 OF 314

# T4T4-1010-4 1/2SW



**PROPRIETARY AND CONFIDENTIAL**  
 THE INFORMATION CONTAINED IN THIS DRAWING IS THE SOLE PROPERTY OF FORMEX MANUFACTURING. ANY REPRODUCTION IN PART OR AS A WHOLE WITHOUT THE WRITTEN PERMISSION OF FORMEX MANUFACTURING IS PROHIBITED.

UNLESS OTHERWISE SPECIFIED:		NAME	DATE
DIMENSIONS ARE IN INCHES TOLERANCES: FRACTIONAL $\pm 1/32"$ ANGULAR: $\pm 2^\circ$ TWO PLACE DECIMAL $\pm 0.03"$ THREE PLACE DECIMAL $\pm 0.010"$	DRAWN	HKF	6/28/2024
	CHECKED		
	ENG APPR.		
	MFG APPR.		
INTERPRET GEOMETRIC TOLERANCING PER:	Q.A.		
MATERIAL ABS	COMMENTS:		
FINISH GRAY / SMOOTH			
DO NOT SCALE DRAWING			

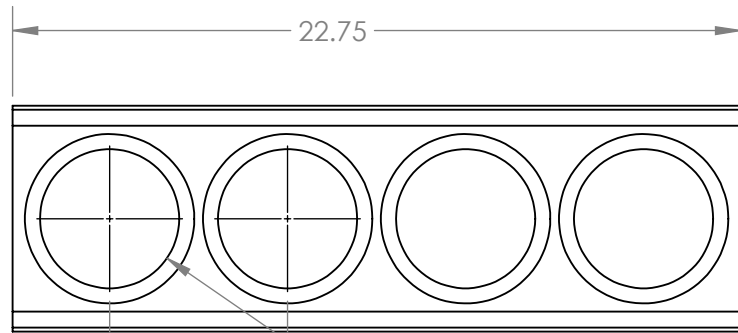
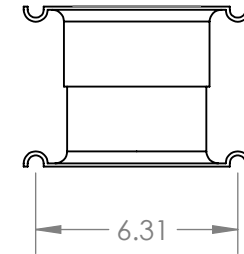
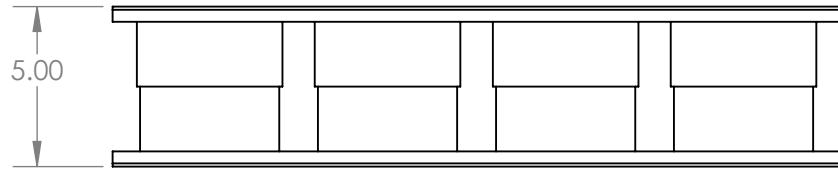
**Formex**<sup>®</sup>  
 manufacturing, inc.

TITLE:  
**TERMINATOR**

SIZE <b>A</b>	DWG. NO. FX-3753-A	REV <b>A</b>
------------------	-----------------------	-----------------

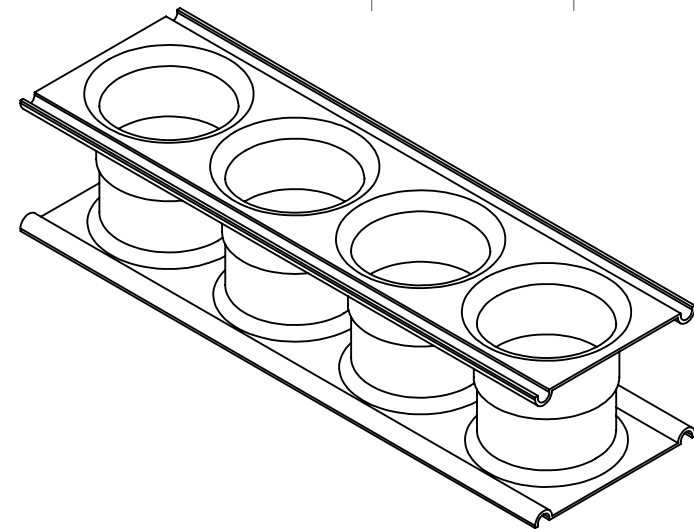
SCALE: 1:6 SHEET 222 OF 314

# T4T4-1010-5SW



5.56

Ø 4.35" HOLE FOR  
4" BELL TELEPHONE  
T CONDUIT



**PROPRIETARY AND CONFIDENTIAL**  
THE INFORMATION CONTAINED IN THIS DRAWING IS THE SOLE PROPERTY OF FORMEX MANUFACTURING. ANY REPRODUCTION IN PART OR AS A WHOLE WITHOUT THE WRITTEN PERMISSION OF FORMEX MANUFACTURING IS PROHIBITED.

UNLESS OTHERWISE SPECIFIED:		NAME	DATE
DIMENSIONS ARE IN INCHES TOLERANCES: FRACTIONAL ±1/32" ANGULAR: ±2° TWO PLACE DECIMAL ±0.03" THREE PLACE DECIMAL ±0.010"	DRAWN	HKF	6/28/2024
	CHECKED		
	ENG APPR.		
	MFG APPR.		
	Q.A.		
INTERPRET GEOMETRIC TOLERANCING PER:	COMMENTS:		
MATERIAL	ABS		
FINISH	GRAY / SMOOTH		
DO NOT SCALE DRAWING			

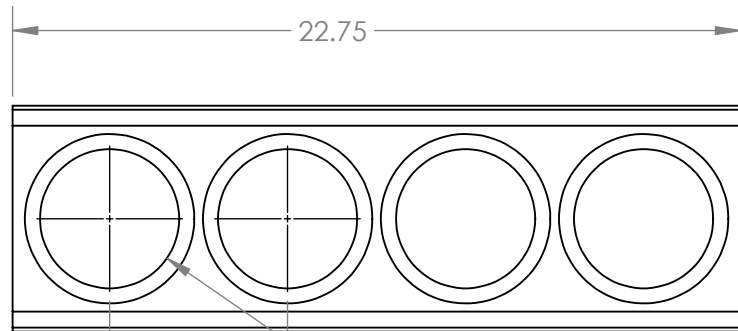
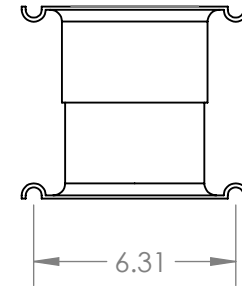
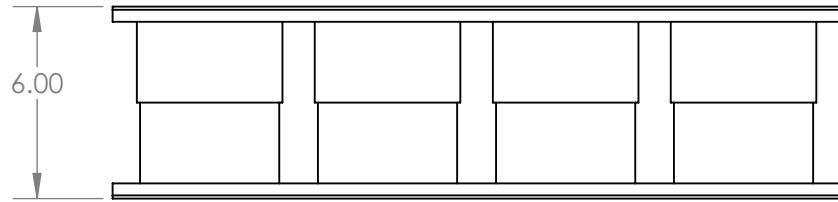
**Formex**<sup>®</sup>  
manufacturing, inc.

TITLE:  
**TERMINATOR**

SIZE <b>A</b>	DWG. NO. FX-3753-A	REV <b>A</b>
------------------	-----------------------	-----------------

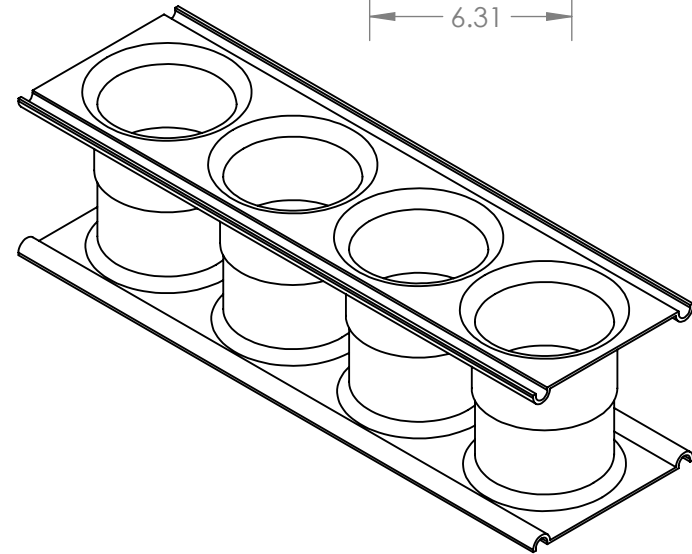
SCALE: 1:6 SHEET 223 OF 314

# T4T4-1010-6SW



5.56

Ø 4.35" HOLE FOR  
4" BELL TELEPHONE  
T CONDUIT



**PROPRIETARY AND CONFIDENTIAL**  
THE INFORMATION CONTAINED IN THIS DRAWING IS THE SOLE PROPERTY OF FORMEX MANUFACTURING. ANY REPRODUCTION IN PART OR AS A WHOLE WITHOUT THE WRITTEN PERMISSION OF FORMEX MANUFACTURING IS PROHIBITED.

UNLESS OTHERWISE SPECIFIED:	NAME	DATE
DIMENSIONS ARE IN INCHES	DRAWN	HKF 6/28/2024
TOLERANCES:	CHECKED	
FRACTIONAL ±1/32"	ENG APPR.	
ANGULAR: ±2°	MFG APPR.	
TWO PLACE DECIMAL ±0.03"	Q.A.	
THREE PLACE DECIMAL ±0.010"	COMMENTS:	
INTERPRET GEOMETRIC TOLERANCING PER:		
MATERIAL		
ABS		
FINISH		
GRAY / SMOOTH		
DO NOT SCALE DRAWING		

**Formex**<sup>®</sup>  
manufacturing, inc.

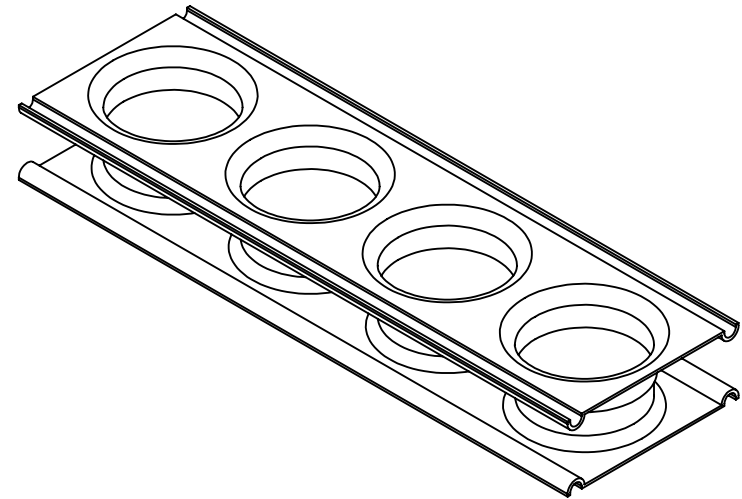
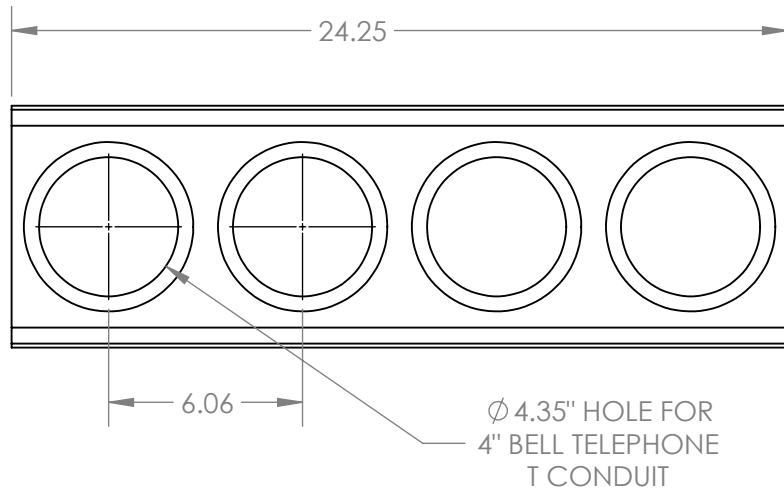
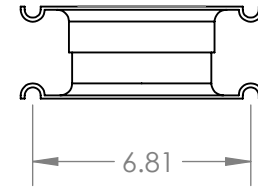
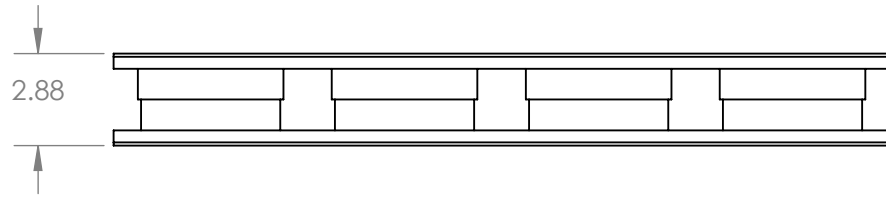
TITLE:  
**TERMINATOR**

SIZE <b>A</b>	DWG. NO. FX-3753-A	REV <b>A</b>
------------------	-----------------------	-----------------

SCALE: 1:6 SHEET 224 OF 314



# T4T4-1515-2 7/8SW



**PROPRIETARY AND CONFIDENTIAL**  
 THE INFORMATION CONTAINED IN THIS DRAWING IS THE SOLE PROPERTY OF FORMEX MANUFACTURING. ANY REPRODUCTION IN PART OR AS A WHOLE WITHOUT THE WRITTEN PERMISSION OF FORMEX MANUFACTURING IS PROHIBITED.

UNLESS OTHERWISE SPECIFIED:	NAME	DATE
DIMENSIONS ARE IN INCHES	DRAWN	HKF 6/28/2024
TOLERANCES:	CHECKED	
FRACTIONAL $\pm 1/32"$	ENG APPR.	
ANGULAR: $\pm 2^\circ$	MFG APPR.	
TWO PLACE DECIMAL $\pm 0.03"$	Q.A.	
THREE PLACE DECIMAL $\pm 0.010"$	COMMENTS:	
INTERPRET GEOMETRIC TOLERANCING PER:		
MATERIAL		
ABS		
FINISH		
GRAY / SMOOTH		
DO NOT SCALE DRAWING		

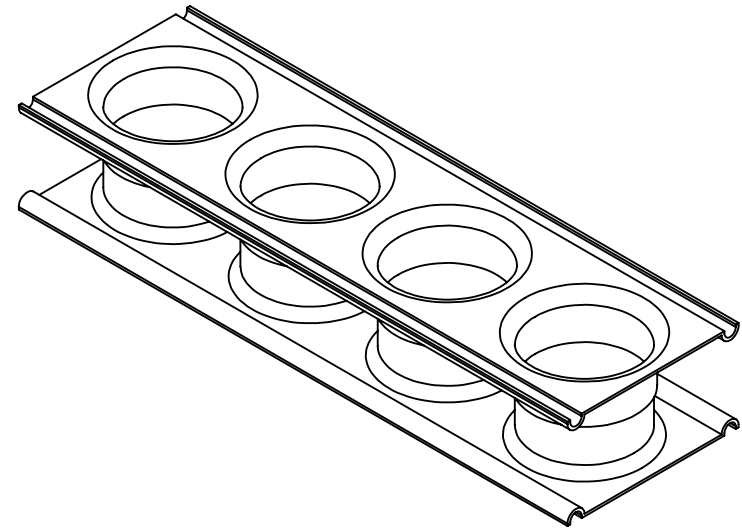
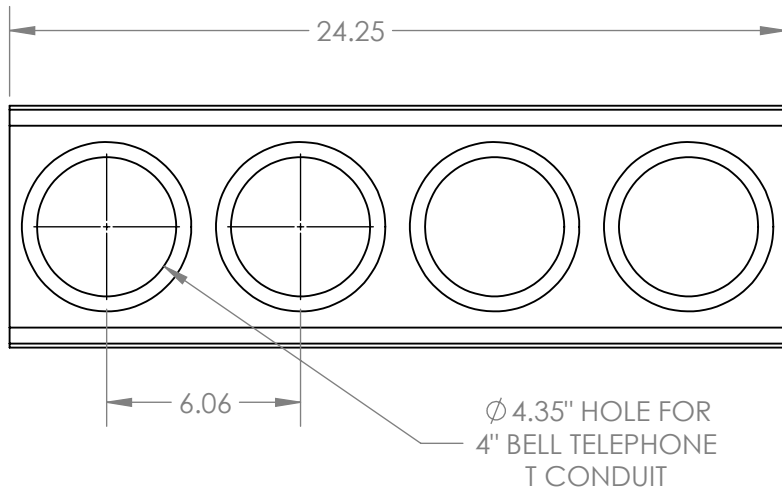
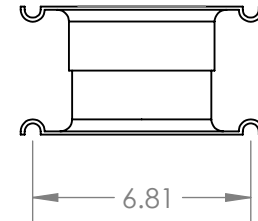
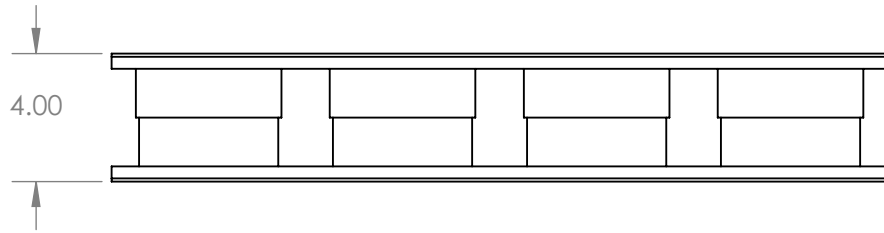
**Formex**<sup>®</sup>  
 manufacturing, inc.

TITLE:  
**TERMINATOR**

SIZE	DWG. NO.	REV
<b>A</b>	FX-3753-A	<b>A</b>

SCALE: 1:6 SHEET 225 OF 314

# T4T4-1515-4SW



**PROPRIETARY AND CONFIDENTIAL**  
 THE INFORMATION CONTAINED IN THIS DRAWING IS THE SOLE PROPERTY OF FORMEX MANUFACTURING. ANY REPRODUCTION IN PART OR AS A WHOLE WITHOUT THE WRITTEN PERMISSION OF FORMEX MANUFACTURING IS PROHIBITED.

UNLESS OTHERWISE SPECIFIED:		NAME	DATE
DIMENSIONS ARE IN INCHES TOLERANCES: FRACTIONAL $\pm 1/32"$ ANGULAR: $\pm 2^\circ$ TWO PLACE DECIMAL $\pm 0.03"$ THREE PLACE DECIMAL $\pm 0.010"$	DRAWN	HKF	6/28/2024
	CHECKED		
	ENG APPR.		
	MFG APPR.		
INTERPRET GEOMETRIC TOLERANCING PER:	Q.A.		
MATERIAL ABS	COMMENTS:		
FINISH GRAY / SMOOTH			
DO NOT SCALE DRAWING			

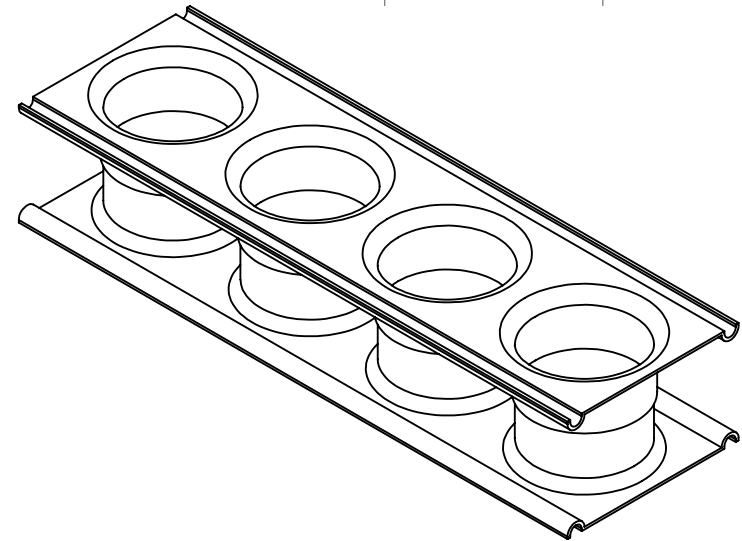
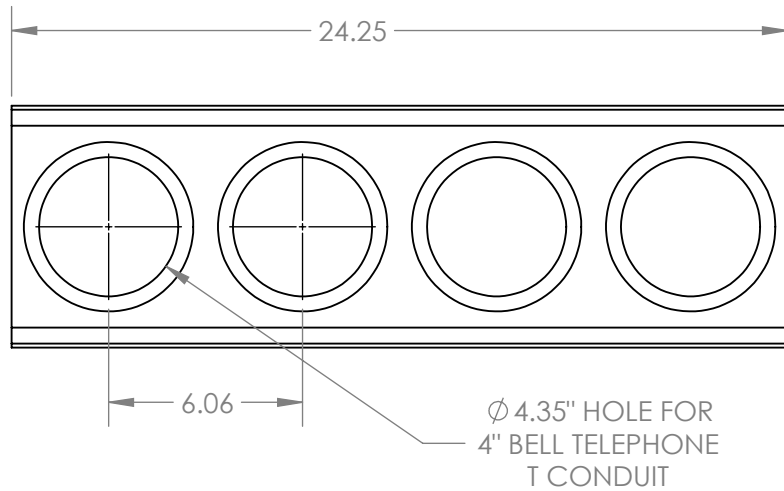
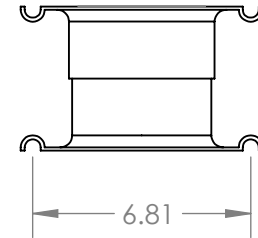
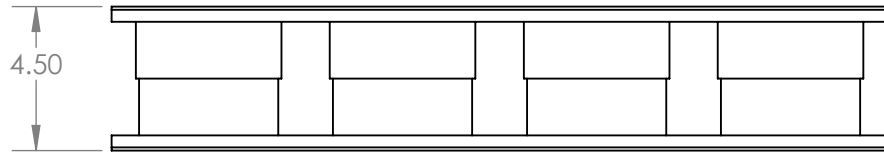
**Formex**<sup>®</sup>  
 manufacturing, inc.

TITLE:  
**TERMINATOR**

SIZE <b>A</b>	DWG. NO. FX-3753-A	REV <b>A</b>
------------------	-----------------------	-----------------

SCALE: 1:6 SHEET 226 OF 314

# T4T4-1515-4 1/2SW



**PROPRIETARY AND CONFIDENTIAL**  
 THE INFORMATION CONTAINED IN THIS DRAWING IS THE SOLE PROPERTY OF FORMEX MANUFACTURING. ANY REPRODUCTION IN PART OR AS A WHOLE WITHOUT THE WRITTEN PERMISSION OF FORMEX MANUFACTURING IS PROHIBITED.

UNLESS OTHERWISE SPECIFIED:		NAME	DATE
DIMENSIONS ARE IN INCHES TOLERANCES: FRACTIONAL $\pm 1/32"$ ANGULAR: $\pm 2^\circ$ TWO PLACE DECIMAL $\pm 0.03"$ THREE PLACE DECIMAL $\pm 0.010"$	DRAWN	HKF	6/28/2024
	CHECKED		
	ENG APPR.		
	MFG APPR.		
INTERPRET GEOMETRIC TOLERANCING PER:	Q.A.		
MATERIAL ABS	COMMENTS:		
FINISH GRAY / SMOOTH			
DO NOT SCALE DRAWING			

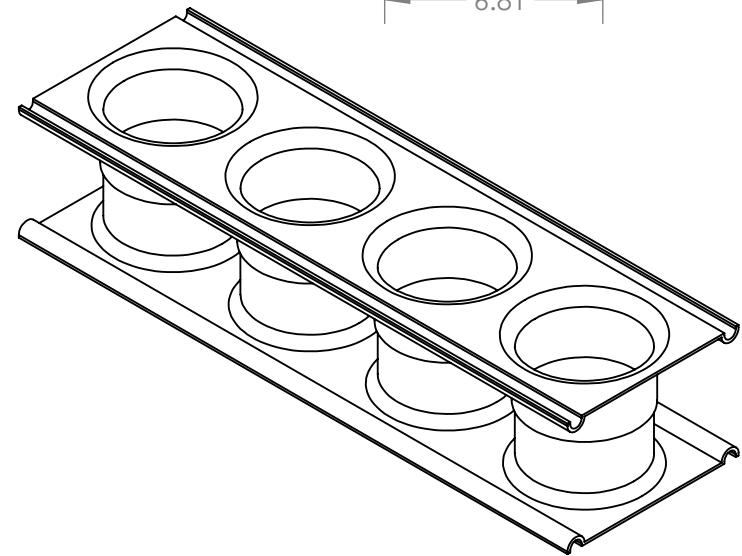
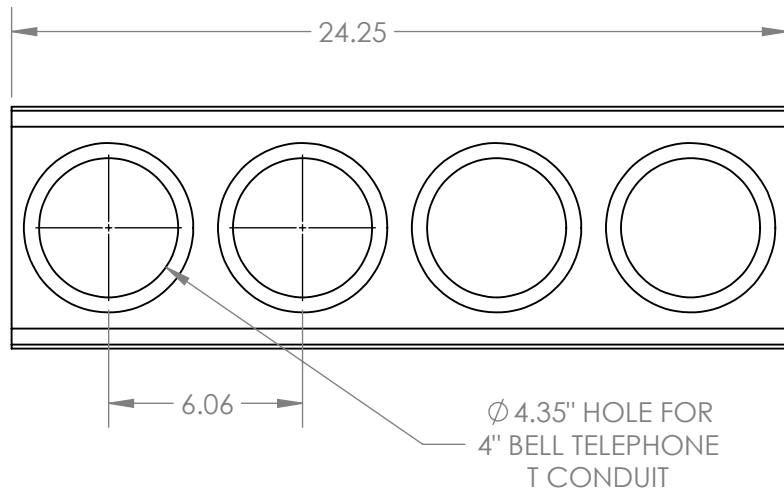
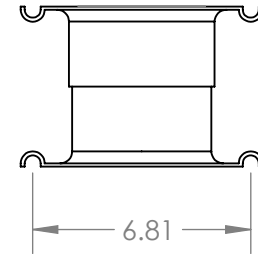
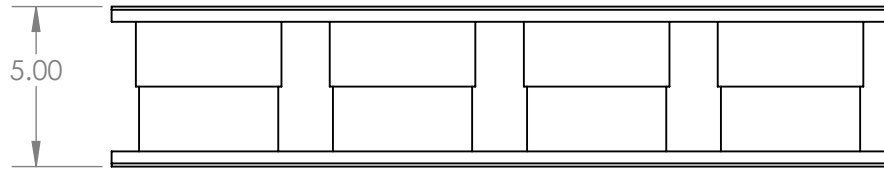
**Formex**<sup>®</sup>  
 manufacturing, inc.

TITLE:  
**TERMINATOR**

SIZE <b>A</b>	DWG. NO. FX-3753-A	REV <b>A</b>
------------------	-----------------------	-----------------

SCALE: 1:6 SHEET 227 OF 314

# T4T4-1515-5SW



**PROPRIETARY AND CONFIDENTIAL**  
 THE INFORMATION CONTAINED IN THIS DRAWING IS THE SOLE PROPERTY OF FORMEX MANUFACTURING. ANY REPRODUCTION IN PART OR AS A WHOLE WITHOUT THE WRITTEN PERMISSION OF FORMEX MANUFACTURING IS PROHIBITED.

UNLESS OTHERWISE SPECIFIED:	NAME	DATE
DIMENSIONS ARE IN INCHES	DRAWN	HKF 6/28/2024
TOLERANCES:	CHECKED	
FRACTIONAL ±1/32"	ENG APPR.	
ANGULAR: ±2°	MFG APPR.	
TWO PLACE DECIMAL ±0.03"	Q.A.	
THREE PLACE DECIMAL ±0.010"	COMMENTS:	
INTERPRET GEOMETRIC TOLERANCING PER:		
MATERIAL		
ABS		
FINISH		
GRAY / SMOOTH		
DO NOT SCALE DRAWING		

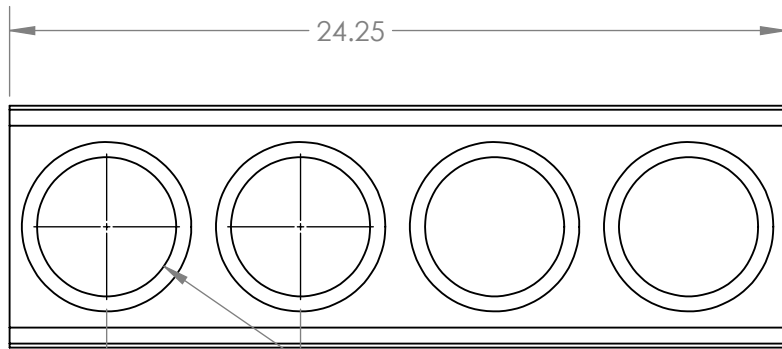
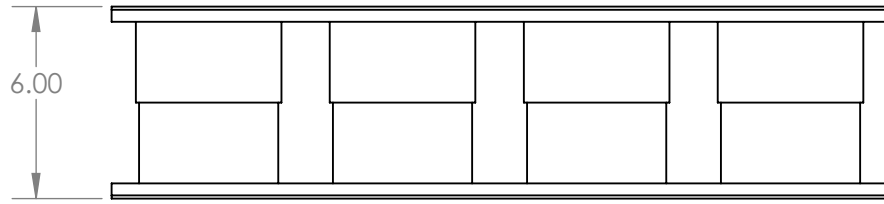
**Formex**<sup>®</sup>  
 manufacturing, inc.

TITLE:  
**TERMINATOR**

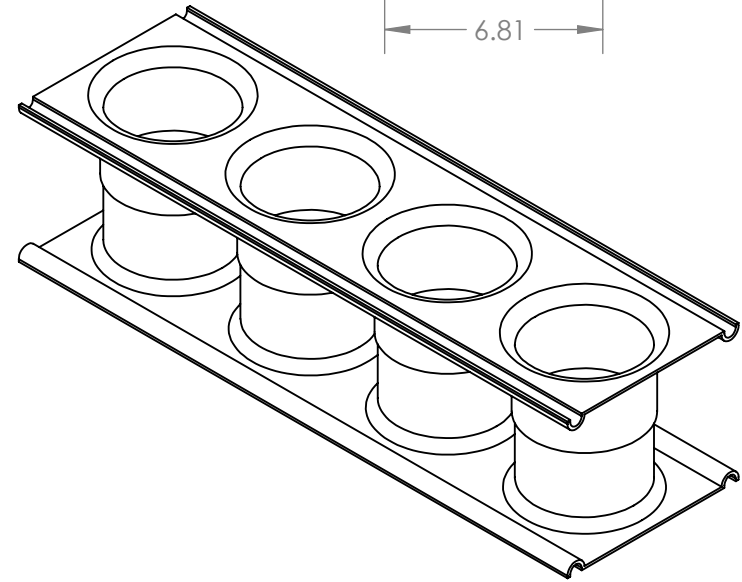
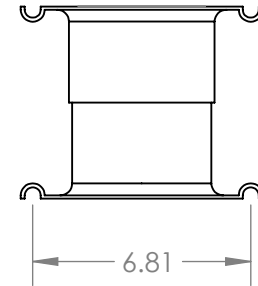
SIZE	DWG. NO.	REV
<b>A</b>	FX-3753-A	<b>A</b>

SCALE: 1:6 SHEET 228 OF 314

# T4T4-1515-6SW



Ø 4.35" HOLE FOR  
4" BELL TELEPHONE  
T CONDUIT



**PROPRIETARY AND CONFIDENTIAL**  
THE INFORMATION CONTAINED IN THIS DRAWING IS THE SOLE PROPERTY OF FORMEX MANUFACTURING. ANY REPRODUCTION IN PART OR AS A WHOLE WITHOUT THE WRITTEN PERMISSION OF FORMEX MANUFACTURING IS PROHIBITED.

UNLESS OTHERWISE SPECIFIED:		NAME	DATE
DIMENSIONS ARE IN INCHES TOLERANCES: FRACTIONAL ±1/32" ANGULAR: ±2° TWO PLACE DECIMAL ±0.03" THREE PLACE DECIMAL ±0.010"	DRAWN	HKF	6/28/2024
	CHECKED		
	ENG APPR.		
	MFG APPR.		
INTERPRET GEOMETRIC TOLERANCING PER:	Q.A.		
MATERIAL ABS	COMMENTS:		
FINISH GRAY / SMOOTH			
DO NOT SCALE DRAWING			

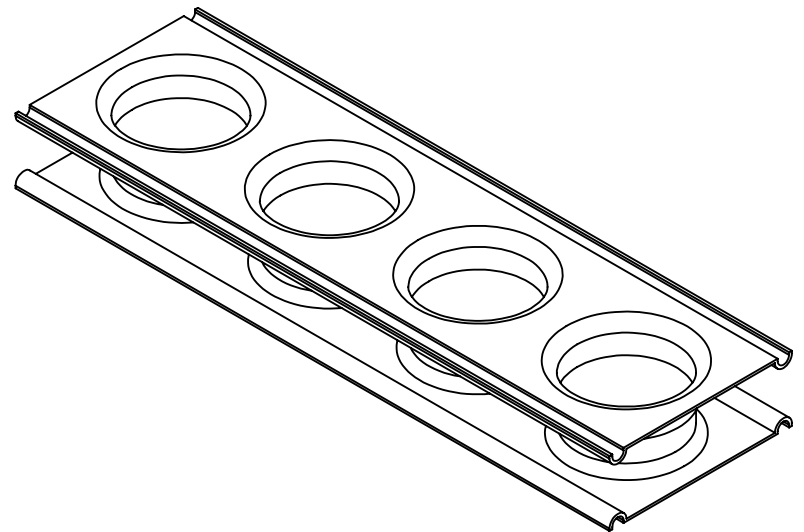
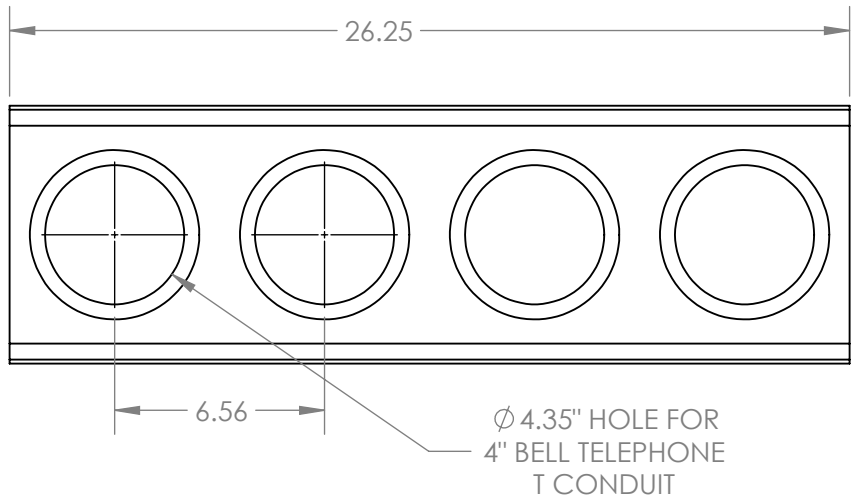
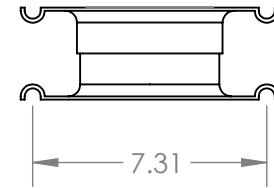
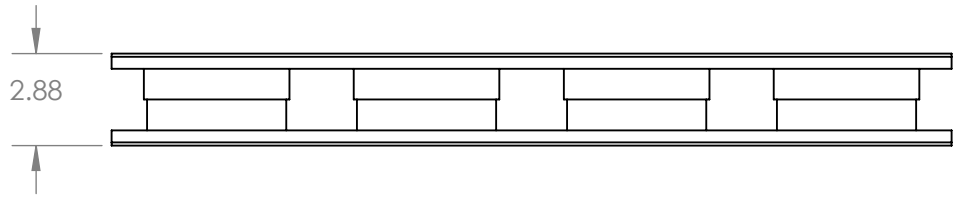
**Formex**<sup>®</sup>  
manufacturing, inc.

TITLE:  
**TERMINATOR**

SIZE <b>A</b>	DWG. NO. FX-3753-A	REV <b>A</b>
------------------	-----------------------	-----------------

SCALE: 1:6 SHEET 229 OF 314

# T4T4-2020-2 7/8SW



**PROPRIETARY AND CONFIDENTIAL**  
 THE INFORMATION CONTAINED IN THIS DRAWING IS THE SOLE PROPERTY OF FORMEX MANUFACTURING. ANY REPRODUCTION IN PART OR AS A WHOLE WITHOUT THE WRITTEN PERMISSION OF FORMEX MANUFACTURING IS PROHIBITED.

UNLESS OTHERWISE SPECIFIED:		NAME	DATE
DIMENSIONS ARE IN INCHES	DRAWN	HKF	6/28/2024
TOLERANCES:	CHECKED		
FRACTIONAL ±1/32"	ENG APPR.		
ANGULAR: ±2°	MFG APPR.		
TWO PLACE DECIMAL ±0.03"	Q.A.		
THREE PLACE DECIMAL ±0.010"	COMMENTS:		
INTERPRET GEOMETRIC TOLERANCING PER:			
MATERIAL			
ABS			
FINISH			
GRAY / SMOOTH			
DO NOT SCALE DRAWING			

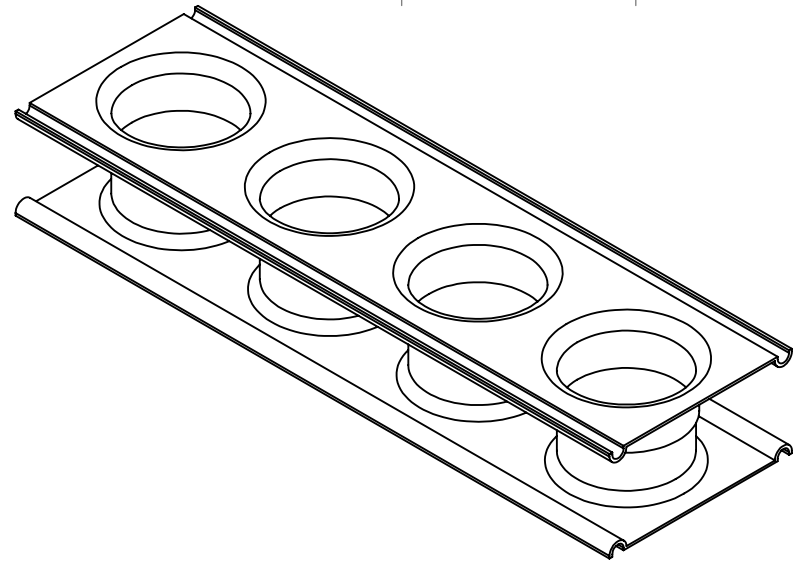
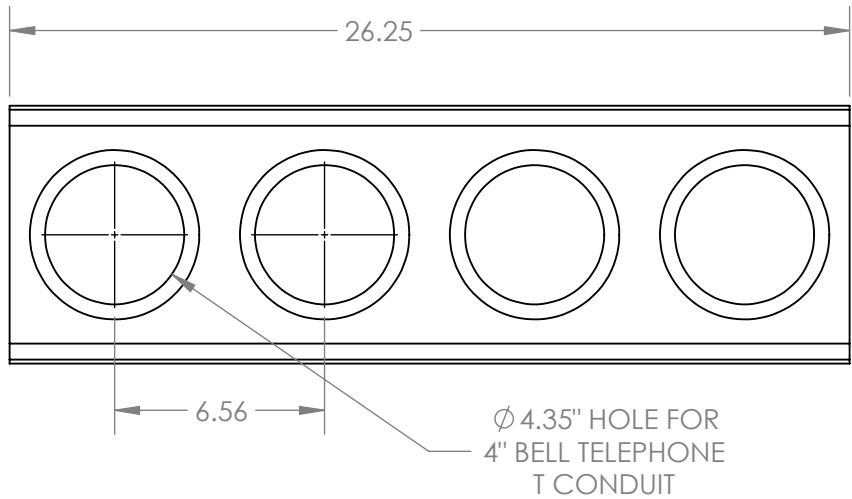
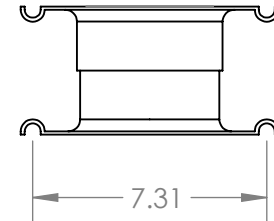
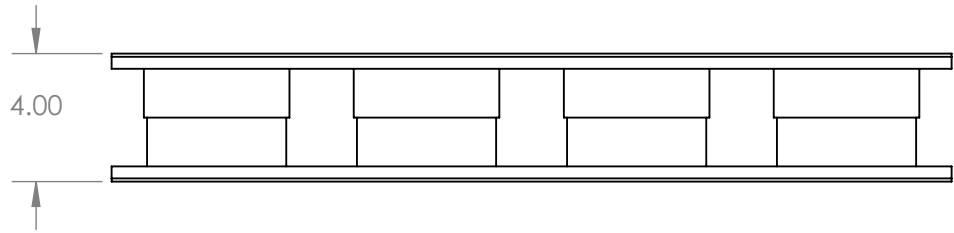
**Formex**<sup>®</sup>  
 manufacturing, inc.

TITLE:  
**TERMINATOR**

SIZE	DWG. NO.	REV
<b>A</b>	FX-3753-A	<b>A</b>

SCALE: 1:6 SHEET 230 OF 314

# T4T4-2020-4SW



**PROPRIETARY AND CONFIDENTIAL**  
 THE INFORMATION CONTAINED IN THIS DRAWING IS THE SOLE PROPERTY OF FORMEX MANUFACTURING. ANY REPRODUCTION IN PART OR AS A WHOLE WITHOUT THE WRITTEN PERMISSION OF FORMEX MANUFACTURING IS PROHIBITED.

UNLESS OTHERWISE SPECIFIED:	NAME	DATE
DIMENSIONS ARE IN INCHES	DRAWN	HKF 6/28/2024
TOLERANCES:	CHECKED	
FRACTIONAL $\pm 1/32"$	ENG APPR.	
ANGULAR: $\pm 2^\circ$	MFG APPR.	
TWO PLACE DECIMAL $\pm 0.03"$	Q.A.	
THREE PLACE DECIMAL $\pm 0.010"$	COMMENTS:	
INTERPRET GEOMETRIC TOLERANCING PER:		
MATERIAL		
ABS		
FINISH		
GRAY / SMOOTH		
DO NOT SCALE DRAWING		

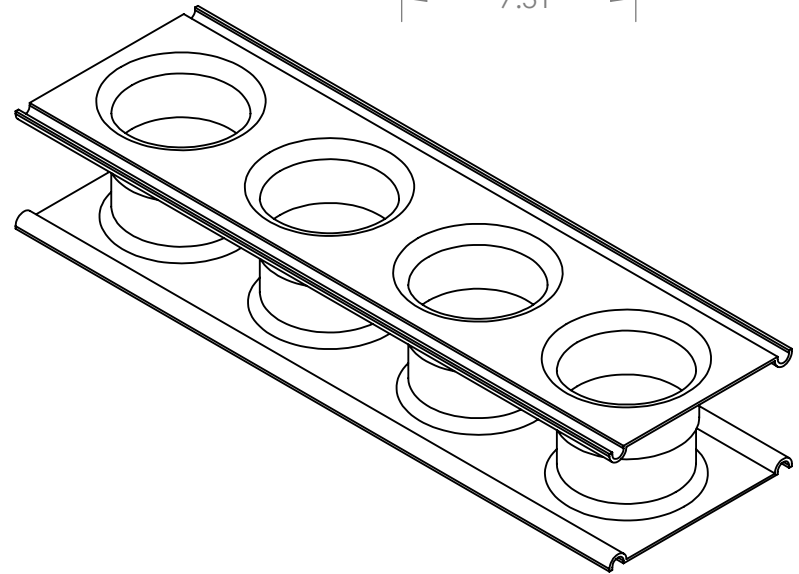
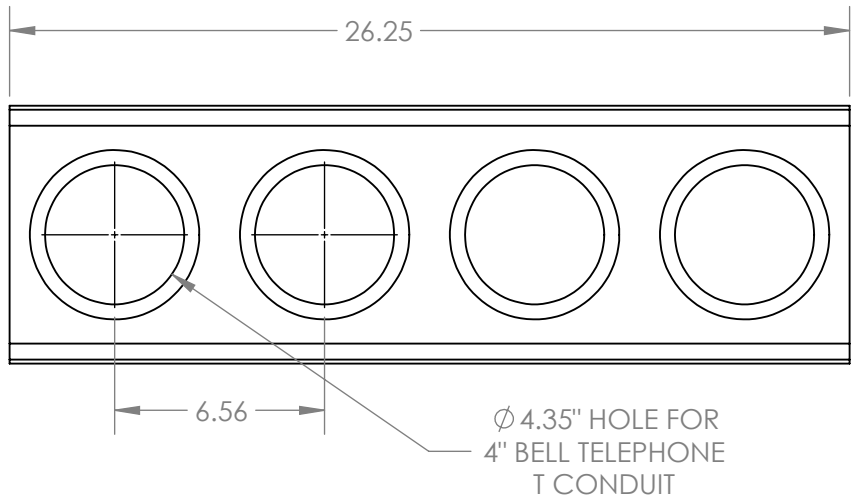
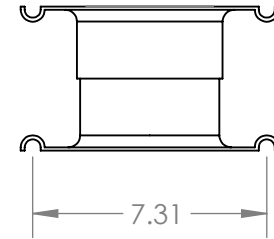
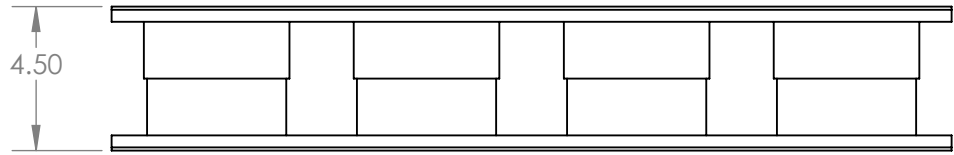
**Formex**<sup>®</sup>  
 manufacturing, inc.

TITLE:  
**TERMINATOR**

SIZE	DWG. NO.	REV
<b>A</b>	FX-3753-A	<b>A</b>

SCALE: 1:6 SHEET 231 OF 314

# T4T4-2020-4 1/2SW



**PROPRIETARY AND CONFIDENTIAL**  
THE INFORMATION CONTAINED IN THIS DRAWING IS THE SOLE PROPERTY OF FORMEX MANUFACTURING. ANY REPRODUCTION IN PART OR AS A WHOLE WITHOUT THE WRITTEN PERMISSION OF FORMEX MANUFACTURING IS PROHIBITED.

UNLESS OTHERWISE SPECIFIED:		NAME	DATE
DIMENSIONS ARE IN INCHES TOLERANCES: FRACTIONAL ±1/32" ANGULAR: ±2° TWO PLACE DECIMAL ±0.03" THREE PLACE DECIMAL ±0.010"	DRAWN	HKF	6/28/2024
	CHECKED		
	ENG APPR.		
	MFG APPR.		
INTERPRET GEOMETRIC TOLERANCING PER:	Q.A.		
MATERIAL ABS	COMMENTS:		
FINISH GRAY / SMOOTH			
DO NOT SCALE DRAWING			

**Formex**<sup>®</sup>  
manufacturing, inc.

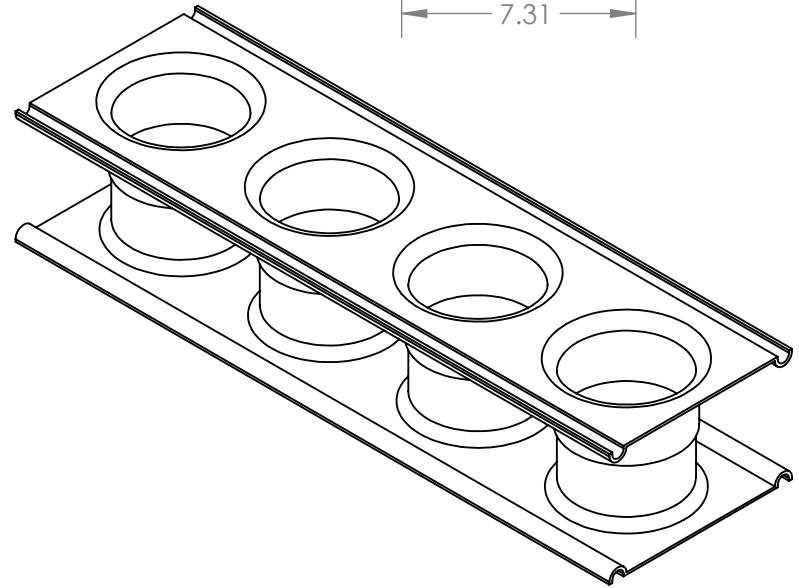
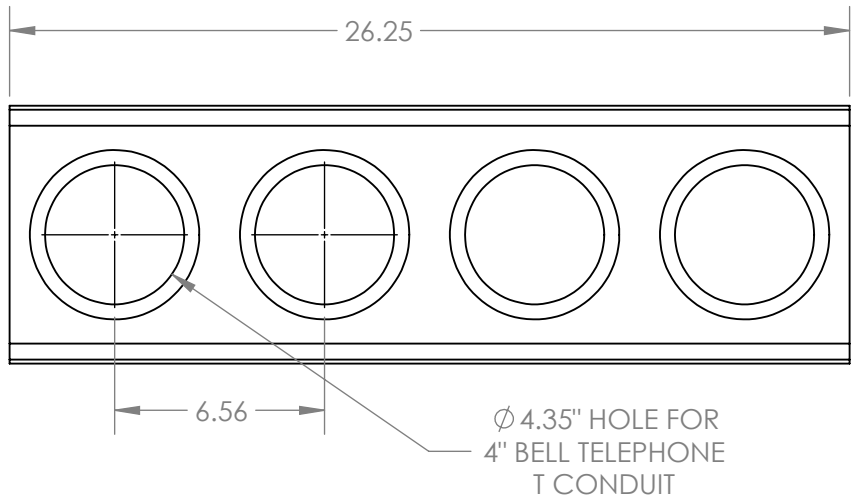
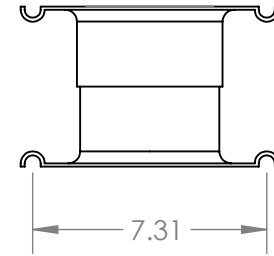
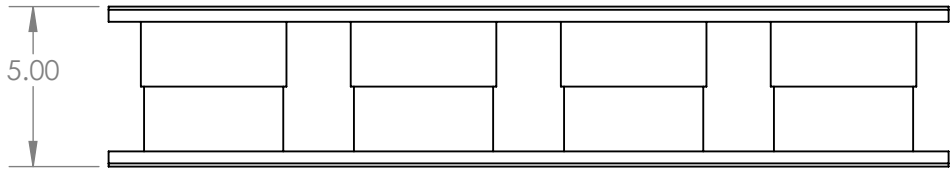
TITLE:  
**TERMINATOR**

SIZE <b>A</b>	DWG. NO. FX-3753-A	REV <b>A</b>
------------------	-----------------------	-----------------

SCALE: 1:6 SHEET 232 OF 314



# T4T4-2020-5SW



**PROPRIETARY AND CONFIDENTIAL**  
 THE INFORMATION CONTAINED IN THIS DRAWING IS THE SOLE PROPERTY OF FORMEX MANUFACTURING. ANY REPRODUCTION IN PART OR AS A WHOLE WITHOUT THE WRITTEN PERMISSION OF FORMEX MANUFACTURING IS PROHIBITED.

UNLESS OTHERWISE SPECIFIED:	NAME	DATE
DIMENSIONS ARE IN INCHES	DRAWN	HKF 6/28/2024
TOLERANCES:	CHECKED	
FRACTIONAL $\pm 1/32"$	ENG APPR.	
ANGULAR: $\pm 2^\circ$	MFG APPR.	
TWO PLACE DECIMAL $\pm 0.03"$	Q.A.	
THREE PLACE DECIMAL $\pm 0.010"$	COMMENTS:	
INTERPRET GEOMETRIC TOLERANCING PER:		
MATERIAL		
ABS		
FINISH		
GRAY / SMOOTH		
DO NOT SCALE DRAWING		

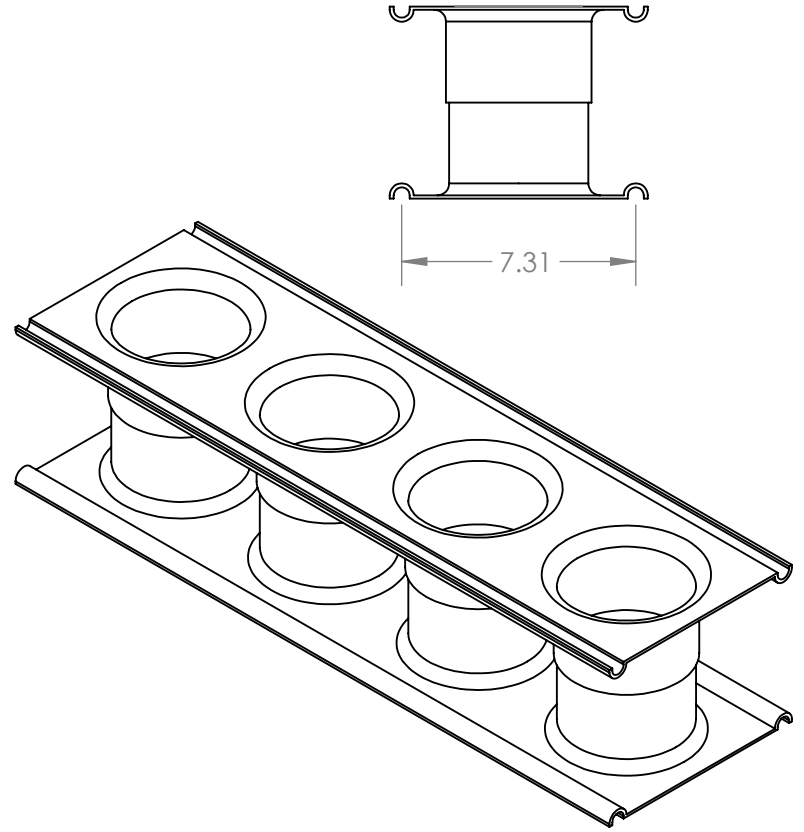
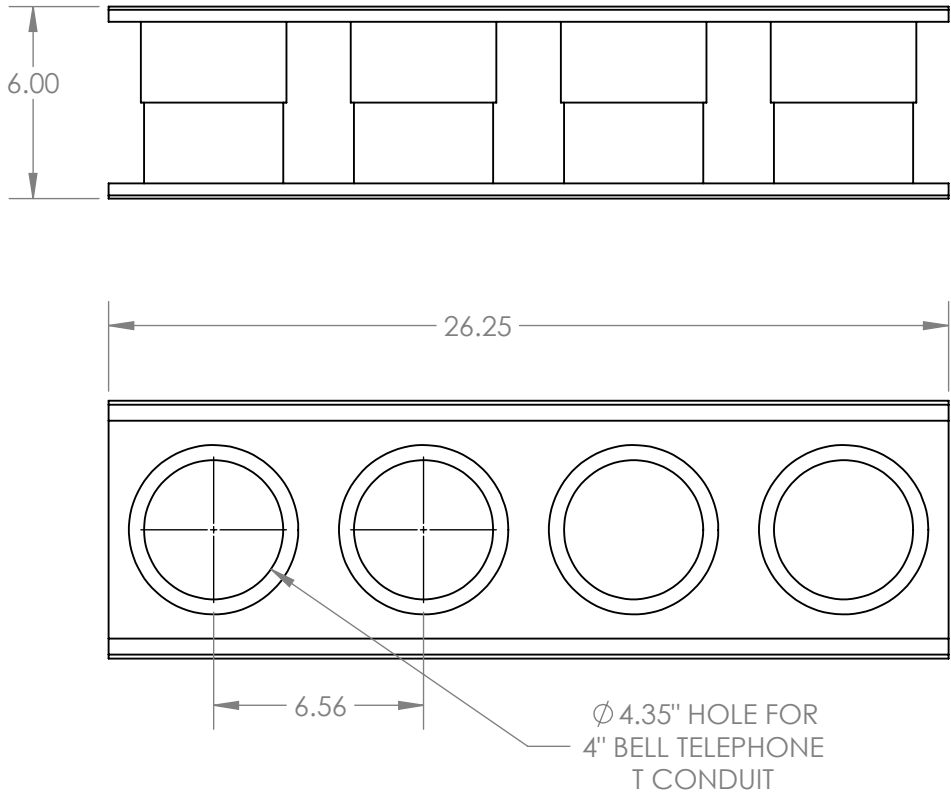
**Formex**<sup>®</sup>  
 manufacturing, inc.

TITLE:  
**TERMINATOR**

SIZE	DWG. NO.	REV
<b>A</b>	FX-3753-A	<b>A</b>

SCALE: 1:6 SHEET 233 OF 314

# T4T4-2020-6SW



**PROPRIETARY AND CONFIDENTIAL**  
THE INFORMATION CONTAINED IN THIS DRAWING IS THE SOLE PROPERTY OF FORMEX MANUFACTURING. ANY REPRODUCTION IN PART OR AS A WHOLE WITHOUT THE WRITTEN PERMISSION OF FORMEX MANUFACTURING IS PROHIBITED.

UNLESS OTHERWISE SPECIFIED:		NAME	DATE
DIMENSIONS ARE IN INCHES TOLERANCES: FRACTIONAL $\pm 1/32"$ ANGULAR: $\pm 2^\circ$ TWO PLACE DECIMAL $\pm 0.03"$ THREE PLACE DECIMAL $\pm 0.010"$	DRAWN	HKF	6/28/2024
	CHECKED		
	ENG APPR.		
	MFG APPR.		
INTERPRET GEOMETRIC TOLERANCING PER:	Q.A.		
MATERIAL	COMMENTS:		
ABS			
FINISH			
GRAY / SMOOTH			
DO NOT SCALE DRAWING			

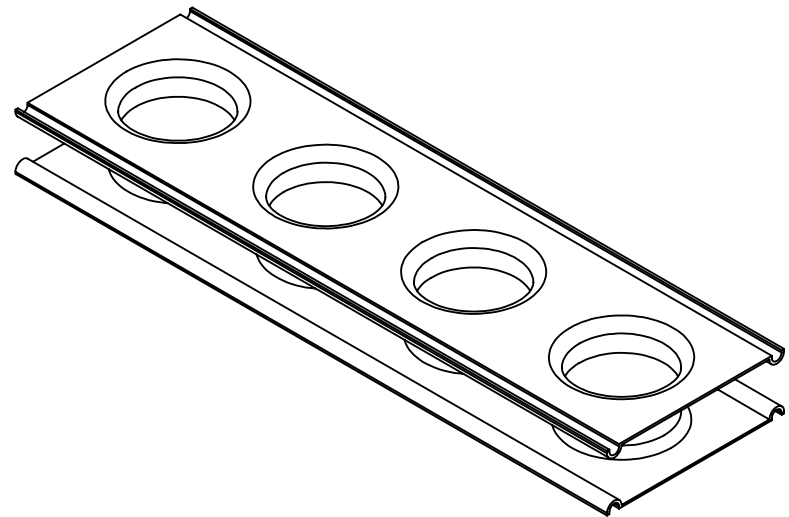
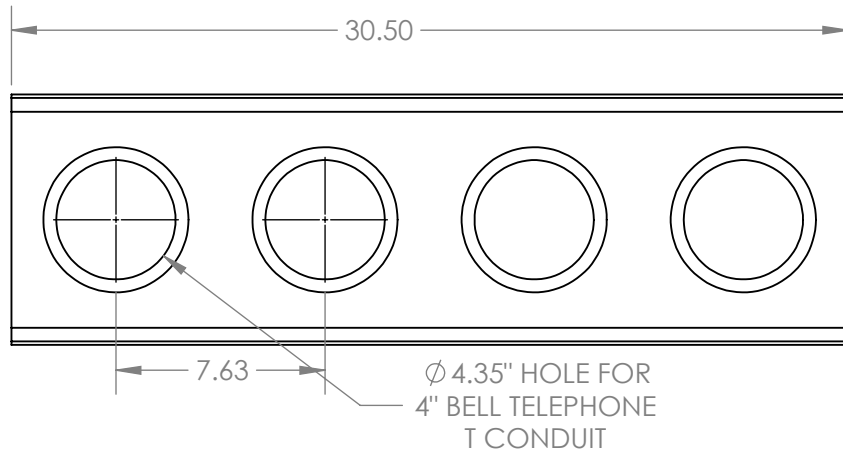
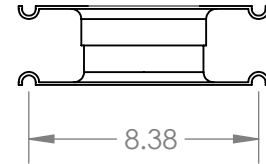
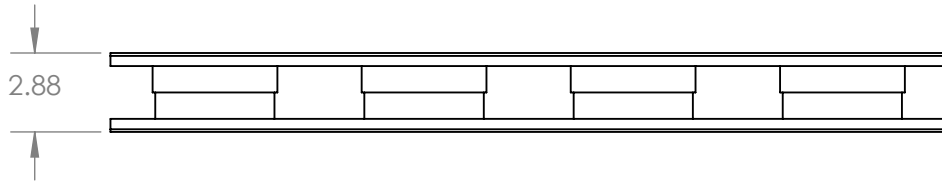
**Formex**<sup>®</sup>  
manufacturing, inc.

TITLE:  
**TERMINATOR**

SIZE <b>A</b>	DWG. NO. FX-3753-A	REV <b>A</b>
------------------	-----------------------	-----------------

SCALE: 1:6 SHEET 234 OF 314

# T4T4-3030-2 7/8SW



**PROPRIETARY AND CONFIDENTIAL**  
 THE INFORMATION CONTAINED IN THIS DRAWING IS THE SOLE PROPERTY OF FORMEX MANUFACTURING. ANY REPRODUCTION IN PART OR AS A WHOLE WITHOUT THE WRITTEN PERMISSION OF FORMEX MANUFACTURING IS PROHIBITED.

UNLESS OTHERWISE SPECIFIED:		NAME	DATE
DIMENSIONS ARE IN INCHES	DRAWN	HKF	6/28/2024
TOLERANCES:	CHECKED		
FRACTIONAL $\pm 1/32"$	ENG APPR.		
ANGULAR: $\pm 2^\circ$	MFG APPR.		
TWO PLACE DECIMAL $\pm 0.03"$	Q.A.		
THREE PLACE DECIMAL $\pm 0.010"$	COMMENTS:		
INTERPRET GEOMETRIC TOLERANCING PER:			
MATERIAL			
ABS			
FINISH			
GRAY / SMOOTH			
DO NOT SCALE DRAWING			

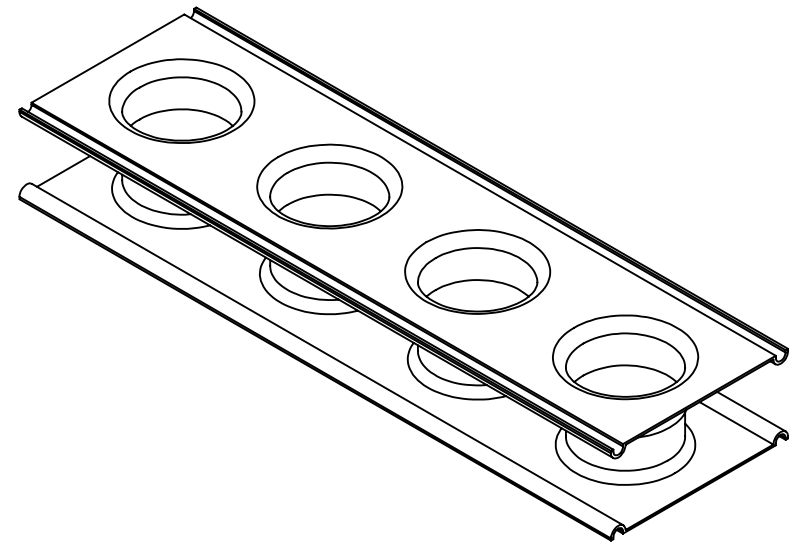
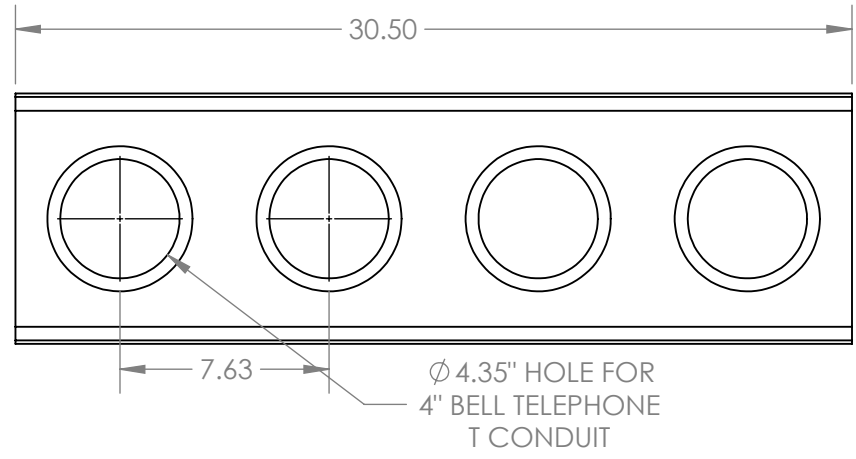
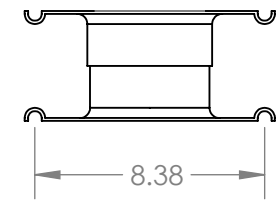
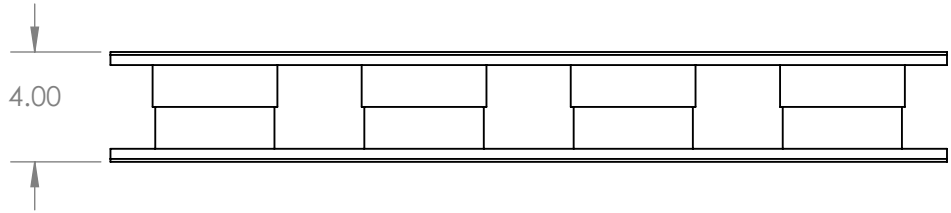
**Formex**<sup>®</sup>  
 manufacturing, inc.

TITLE:  
**TERMINATOR**

SIZE	DWG. NO.	REV
<b>A</b>	FX-3753-A	<b>A</b>

SCALE: 1:7 SHEET 235 OF 314

# T4T4-3030-4SW



**PROPRIETARY AND CONFIDENTIAL**  
 THE INFORMATION CONTAINED IN THIS DRAWING IS THE SOLE PROPERTY OF FORMEX MANUFACTURING. ANY REPRODUCTION IN PART OR AS A WHOLE WITHOUT THE WRITTEN PERMISSION OF FORMEX MANUFACTURING IS PROHIBITED.

UNLESS OTHERWISE SPECIFIED:		NAME	DATE
DIMENSIONS ARE IN INCHES	DRAWN	HKF	6/28/2024
TOLERANCES:	CHECKED		
FRACTIONAL ±1/32"	ENG APPR.		
ANGULAR: ±2°	MFG APPR.		
TWO PLACE DECIMAL ±0.03"	Q.A.		
THREE PLACE DECIMAL ±0.010"	COMMENTS:		
INTERPRET GEOMETRIC TOLERANCING PER:			
MATERIAL			
ABS			
FINISH			
GRAY / SMOOTH			
DO NOT SCALE DRAWING			

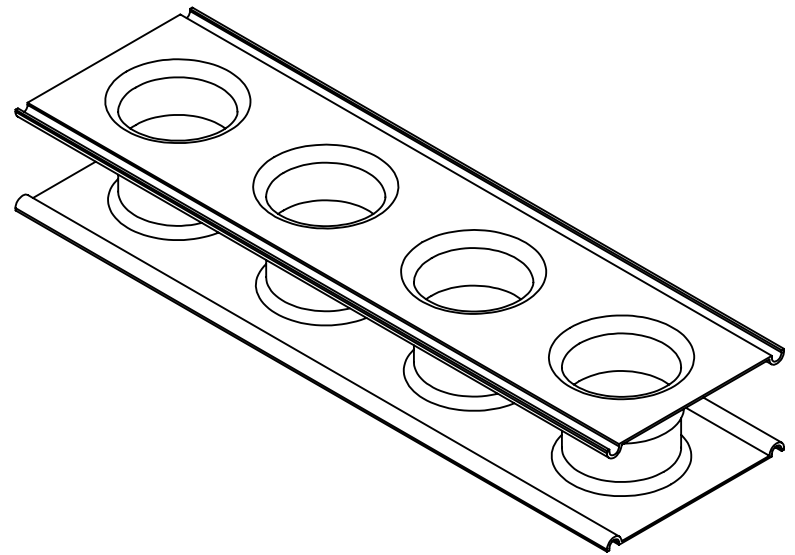
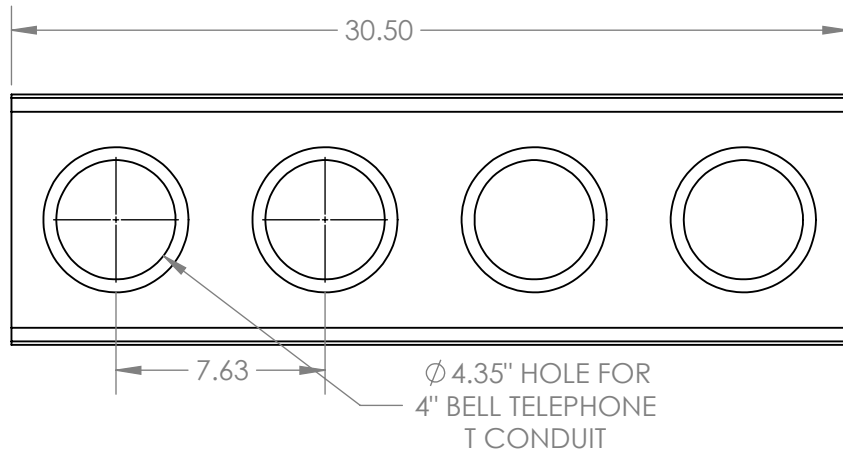
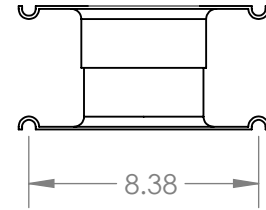
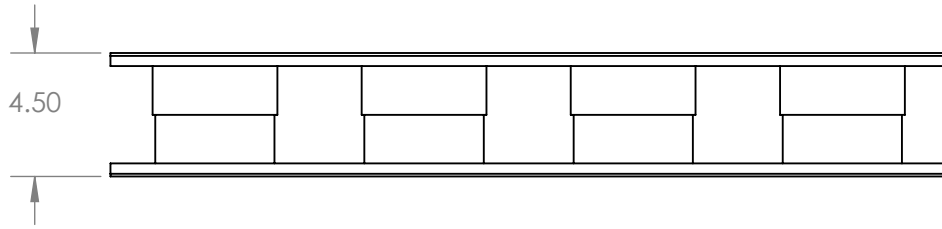
**Formex**<sup>®</sup>  
 manufacturing, inc.

TITLE:  
**TERMINATOR**

SIZE	DWG. NO.	REV
<b>A</b>	FX-3753-A	<b>A</b>

SCALE: 1:7 SHEET 236 OF 314

# T4T4-3030-4 1/2SW



**PROPRIETARY AND CONFIDENTIAL**  
 THE INFORMATION CONTAINED IN THIS DRAWING IS THE SOLE PROPERTY OF FORMEX MANUFACTURING. ANY REPRODUCTION IN PART OR AS A WHOLE WITHOUT THE WRITTEN PERMISSION OF FORMEX MANUFACTURING IS PROHIBITED.

UNLESS OTHERWISE SPECIFIED:		NAME	DATE
DIMENSIONS ARE IN INCHES	DRAWN	HKF	6/28/2024
TOLERANCES:	CHECKED		
FRACTIONAL ±1/32"	ENG APPR.		
ANGULAR: ±2°	MFG APPR.		
TWO PLACE DECIMAL ±0.03"	Q.A.		
THREE PLACE DECIMAL ±0.010"	COMMENTS:		
INTERPRET GEOMETRIC TOLERANCING PER:			
MATERIAL			
ABS			
FINISH			
GRAY / SMOOTH			
DO NOT SCALE DRAWING			

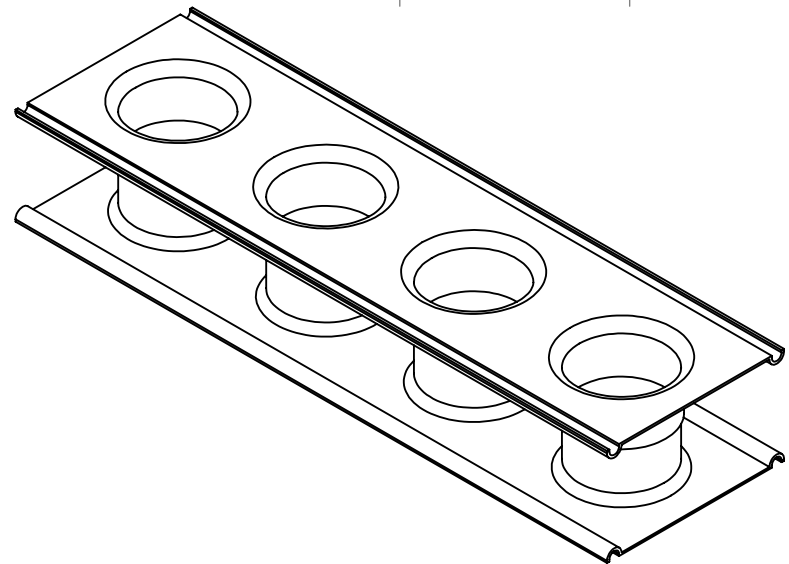
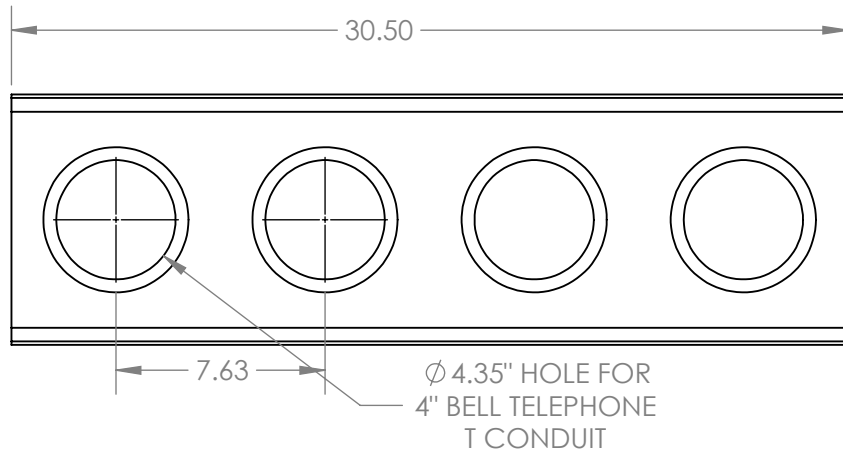
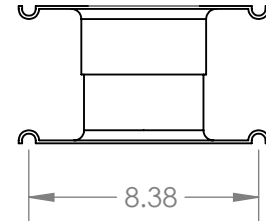
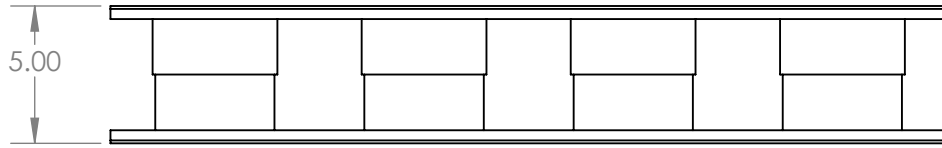
**Formex**<sup>®</sup>  
 manufacturing, inc.

TITLE:  
**TERMINATOR**

SIZE <b>A</b>	DWG. NO. FX-3753-A	REV <b>A</b>
------------------	-----------------------	-----------------

SCALE: 1:7 SHEET 237 OF 314

# T4T4-3030-5SW



**PROPRIETARY AND CONFIDENTIAL**  
 THE INFORMATION CONTAINED IN THIS DRAWING IS THE SOLE PROPERTY OF FORMEX MANUFACTURING. ANY REPRODUCTION IN PART OR AS A WHOLE WITHOUT THE WRITTEN PERMISSION OF FORMEX MANUFACTURING IS PROHIBITED.

UNLESS OTHERWISE SPECIFIED:	NAME	DATE
DIMENSIONS ARE IN INCHES	DRAWN	HKF 6/28/2024
TOLERANCES:	CHECKED	
FRACTIONAL ±1/32"	ENG APPR.	
ANGULAR: ±2°	MFG APPR.	
TWO PLACE DECIMAL ±0.03"	Q.A.	
THREE PLACE DECIMAL ±0.010"	COMMENTS:	
INTERPRET GEOMETRIC TOLERANCING PER:		
MATERIAL		
ABS		
FINISH		
GRAY / SMOOTH		
DO NOT SCALE DRAWING		

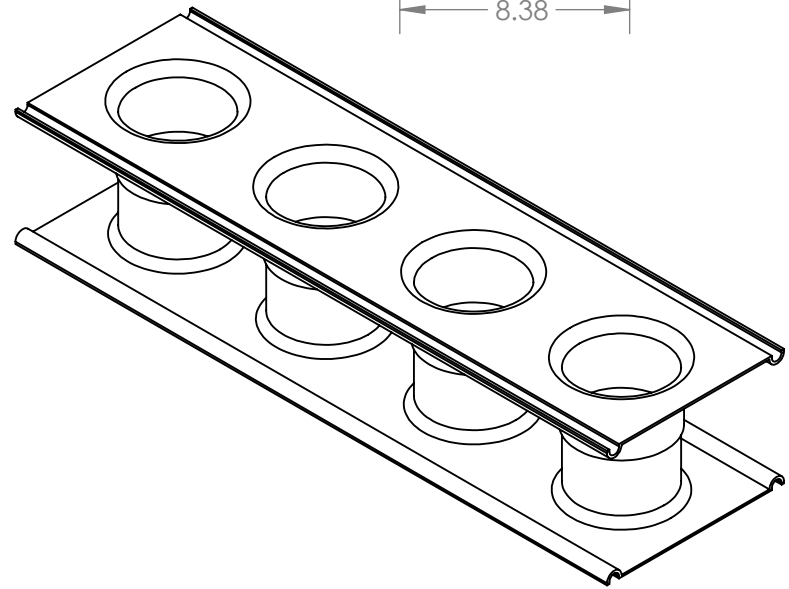
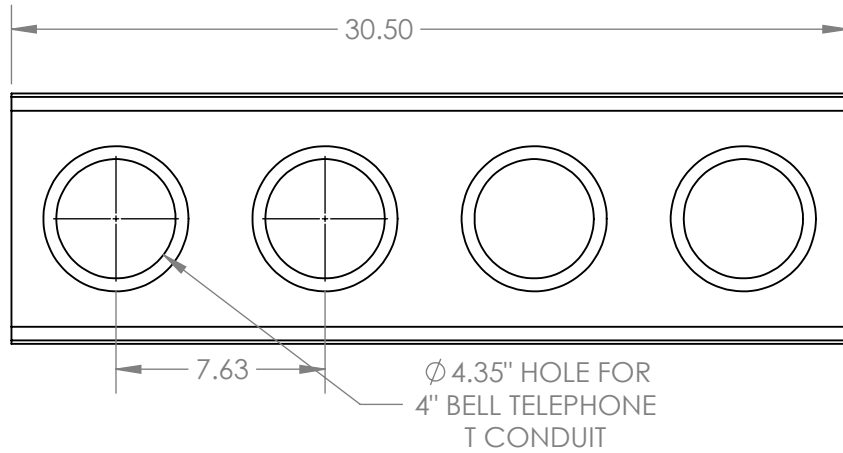
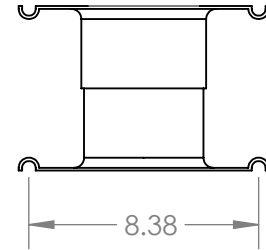
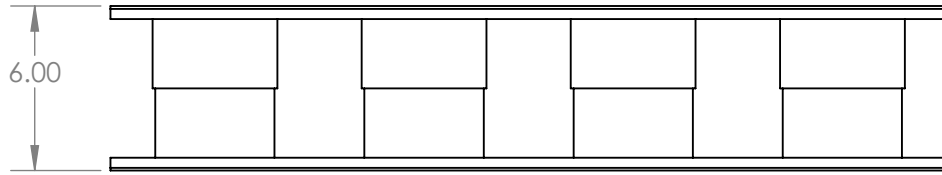
**Formex**<sup>®</sup>  
 manufacturing, inc.

TITLE:  
**TERMINATOR**

SIZE	DWG. NO.	REV
<b>A</b>	FX-3753-A	<b>A</b>

SCALE: 1:7 SHEET 238 OF 314

# T4T4-3030-6SW



**PROPRIETARY AND CONFIDENTIAL**  
 THE INFORMATION CONTAINED IN THIS DRAWING IS THE SOLE PROPERTY OF FORMEX MANUFACTURING. ANY REPRODUCTION IN PART OR AS A WHOLE WITHOUT THE WRITTEN PERMISSION OF FORMEX MANUFACTURING IS PROHIBITED.

UNLESS OTHERWISE SPECIFIED:		NAME	DATE
DIMENSIONS ARE IN INCHES	DRAWN	HKF	6/28/2024
TOLERANCES:	CHECKED		
FRACTIONAL $\pm 1/32"$	ENG APPR.		
ANGULAR: $\pm 2^\circ$	MFG APPR.		
TWO PLACE DECIMAL $\pm 0.03"$	Q.A.		
THREE PLACE DECIMAL $\pm 0.010"$	COMMENTS:		
INTERPRET GEOMETRIC TOLERANCING PER:			
MATERIAL			
ABS			
FINISH			
GRAY / SMOOTH			
DO NOT SCALE DRAWING			

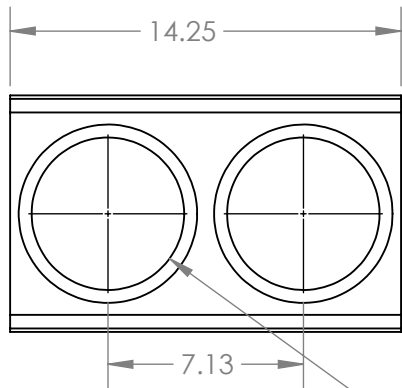
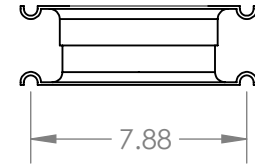
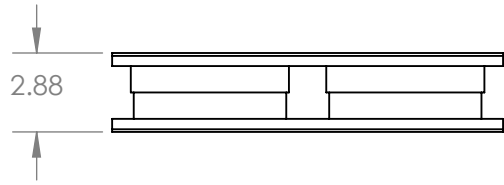
**Formex**<sup>®</sup>  
 manufacturing, inc.

TITLE:  
**TERMINATOR**

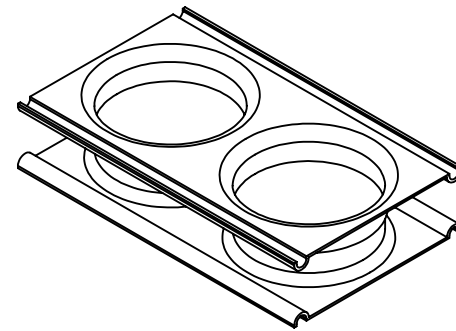
SIZE	DWG. NO.	REV
<b>A</b>	FX-3753-A	<b>A</b>

SCALE: 1:7 SHEET 239 OF 314

# T5A2-1515-2 7/8SW



Ø 5.56" HOLE FOR  
5" IPS CONDUIT



**PROPRIETARY AND CONFIDENTIAL**  
THE INFORMATION CONTAINED IN THIS DRAWING IS THE SOLE PROPERTY OF FORMEX MANUFACTURING. ANY REPRODUCTION IN PART OR AS A WHOLE WITHOUT THE WRITTEN PERMISSION OF FORMEX MANUFACTURING IS PROHIBITED.

UNLESS OTHERWISE SPECIFIED:		NAME	DATE
DIMENSIONS ARE IN INCHES	DRAWN	HKF	6/28/2024
TOLERANCES:	CHECKED		
FRACTIONAL ±1/32"	ENG APPR.		
ANGULAR: ±2°	MFG APPR.		
TWO PLACE DECIMAL ±0.03"	Q.A.		
THREE PLACE DECIMAL ±0.010"	COMMENTS:		
INTERPRET GEOMETRIC TOLERANCING PER:			
MATERIAL			
ABS			
FINISH			
GRAY / SMOOTH			
DO NOT SCALE DRAWING			

**Formex**<sup>®</sup>  
manufacturing, inc.

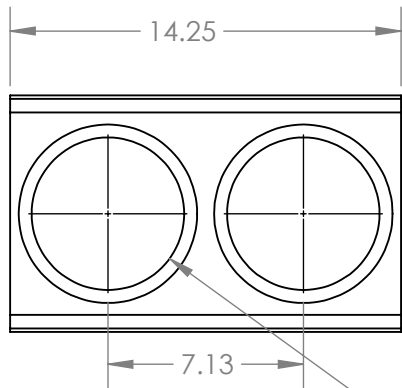
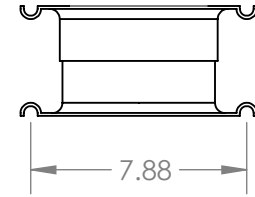
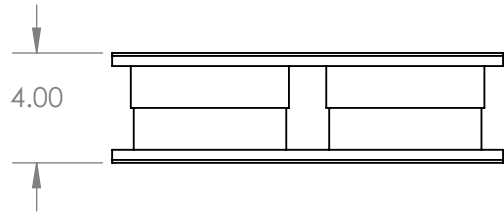
TITLE:  
**TERMINATOR**

SIZE <b>A</b>	DWG. NO. FX-3753-A	REV <b>A</b>
------------------	-----------------------	-----------------

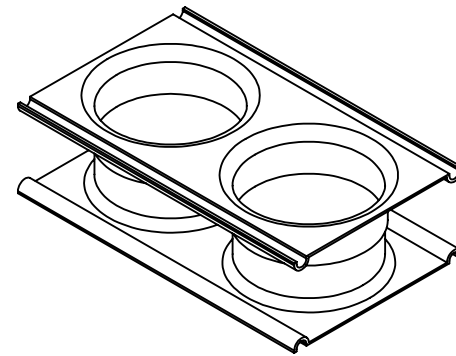
SCALE: 1:7 SHEET 240 OF 314



# T5A2-1515-4SW



Ø 5.56" HOLE FOR  
5" IPS CONDUIT



**PROPRIETARY AND CONFIDENTIAL**  
THE INFORMATION CONTAINED IN THIS DRAWING IS THE SOLE PROPERTY OF FORMEX MANUFACTURING. ANY REPRODUCTION IN PART OR AS A WHOLE WITHOUT THE WRITTEN PERMISSION OF FORMEX MANUFACTURING IS PROHIBITED.

UNLESS OTHERWISE SPECIFIED:		NAME	DATE
DIMENSIONS ARE IN INCHES TOLERANCES: FRACTIONAL ±1/32" ANGULAR: ±2° TWO PLACE DECIMAL ±0.03" THREE PLACE DECIMAL ±0.010"	DRAWN	HKF	6/28/2024
	CHECKED		
	ENG APPR.		
	MFG APPR.		
INTERPRET GEOMETRIC TOLERANCING PER:	Q.A.		
MATERIAL ABS	COMMENTS:		
FINISH GRAY / SMOOTH			
DO NOT SCALE DRAWING			

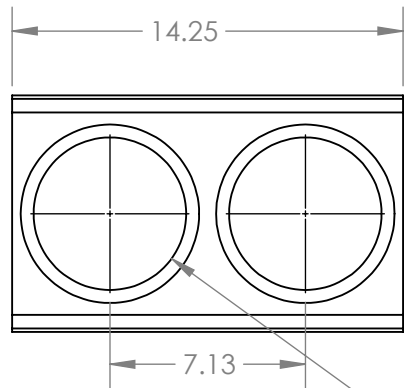
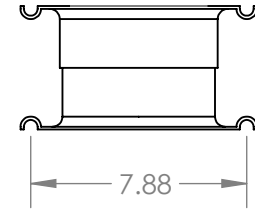
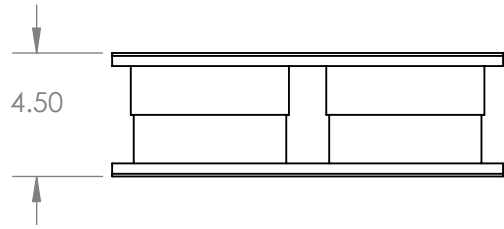
**Formex**<sup>®</sup>  
manufacturing, inc.

TITLE:  
**TERMINATOR**

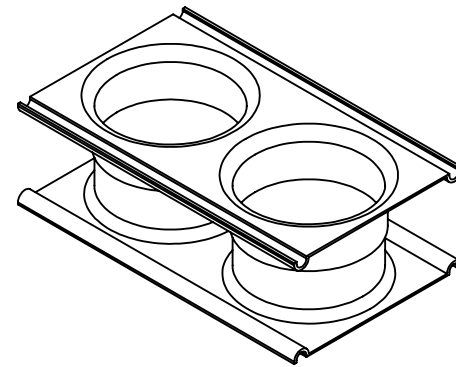
SIZE <b>A</b>	DWG. NO. FX-3753-A	REV <b>A</b>
------------------	-----------------------	-----------------

SCALE: 1:7 SHEET 241 OF 314

# T5A2-1515-4 1/2SW



Ø 5.56" HOLE FOR  
5" IPS CONDUIT



**PROPRIETARY AND CONFIDENTIAL**  
THE INFORMATION CONTAINED IN THIS DRAWING IS THE SOLE PROPERTY OF FORMEX MANUFACTURING. ANY REPRODUCTION IN PART OR AS A WHOLE WITHOUT THE WRITTEN PERMISSION OF FORMEX MANUFACTURING IS PROHIBITED.

UNLESS OTHERWISE SPECIFIED:		NAME	DATE
DIMENSIONS ARE IN INCHES TOLERANCES: FRACTIONAL ±1/32" ANGULAR: ±2° TWO PLACE DECIMAL ±0.03" THREE PLACE DECIMAL ±0.010"	DRAWN	HKF	6/28/2024
	CHECKED		
	ENG APPR.		
	MFG APPR.		
INTERPRET GEOMETRIC TOLERANCING PER:	Q.A.		
MATERIAL ABS	COMMENTS:		
FINISH GRAY / SMOOTH			
DO NOT SCALE DRAWING			

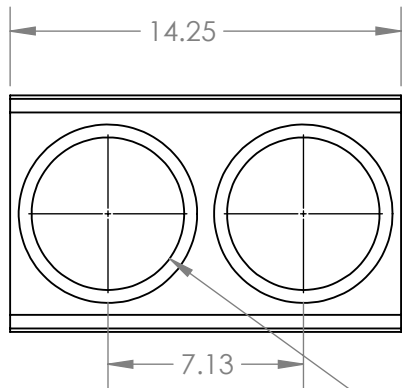
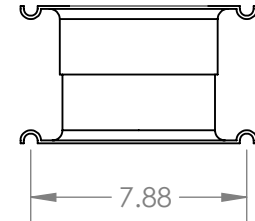
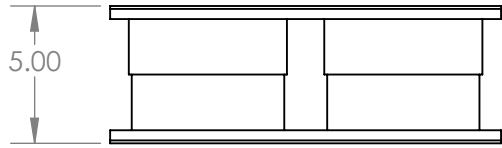
**Formex**<sup>®</sup>  
manufacturing, inc.

TITLE:  
**TERMINATOR**

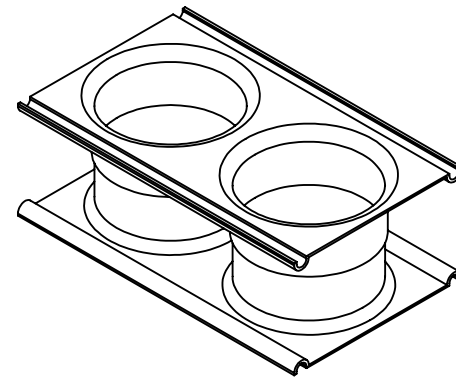
SIZE <b>A</b>	DWG. NO. FX-3753-A	REV <b>A</b>
------------------	-----------------------	-----------------

SCALE: 1:7 SHEET 242 OF 314

# T5A2-1515-5SW



Ø 5.56" HOLE FOR  
5" IPS CONDUIT



**PROPRIETARY AND CONFIDENTIAL**  
THE INFORMATION CONTAINED IN THIS DRAWING IS THE SOLE PROPERTY OF FORMEX MANUFACTURING. ANY REPRODUCTION IN PART OR AS A WHOLE WITHOUT THE WRITTEN PERMISSION OF FORMEX MANUFACTURING IS PROHIBITED.

UNLESS OTHERWISE SPECIFIED:		NAME	DATE
DIMENSIONS ARE IN INCHES	DRAWN	HKF	6/28/2024
TOLERANCES:	CHECKED		
FRACTIONAL ±1/32"	ENG APPR.		
ANGULAR: ±2°	MFG APPR.		
TWO PLACE DECIMAL ±0.03"	Q.A.		
THREE PLACE DECIMAL ±0.010"	COMMENTS:		
INTERPRET GEOMETRIC TOLERANCING PER:			
MATERIAL			
ABS			
FINISH			
GRAY / SMOOTH			
DO NOT SCALE DRAWING			

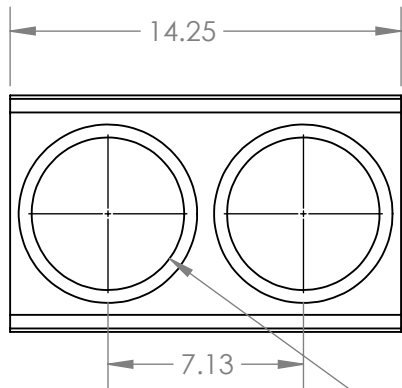
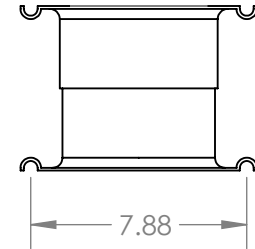
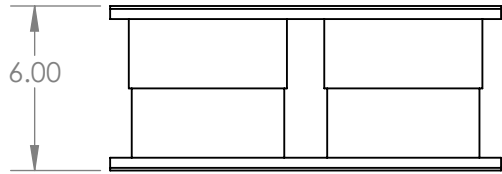
**Formex**<sup>®</sup>  
manufacturing, inc.

TITLE:  
**TERMINATOR**

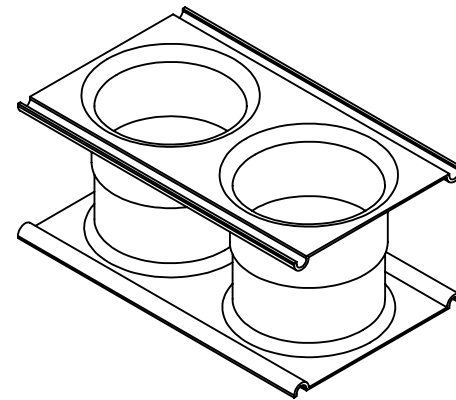
SIZE <b>A</b>	DWG. NO. FX-3753-A	REV <b>A</b>
------------------	-----------------------	-----------------

SCALE: 1:7 SHEET 243 OF 314

# T5A2-1515-6SW



Ø 5.56" HOLE FOR  
5" IPS CONDUIT



**PROPRIETARY AND CONFIDENTIAL**  
THE INFORMATION CONTAINED IN THIS DRAWING IS THE SOLE PROPERTY OF FORMEX MANUFACTURING. ANY REPRODUCTION IN PART OR AS A WHOLE WITHOUT THE WRITTEN PERMISSION OF FORMEX MANUFACTURING IS PROHIBITED.

UNLESS OTHERWISE SPECIFIED:		NAME	DATE
DIMENSIONS ARE IN INCHES	DRAWN	HKF	6/28/2024
TOLERANCES:	CHECKED		
FRACTIONAL ±1/32"	ENG APPR.		
ANGULAR: ±2°	MFG APPR.		
TWO PLACE DECIMAL ±0.03"	Q.A.		
THREE PLACE DECIMAL ±0.010"	COMMENTS:		
INTERPRET GEOMETRIC TOLERANCING PER:			
MATERIAL			
ABS			
FINISH			
GRAY / SMOOTH			
DO NOT SCALE DRAWING			

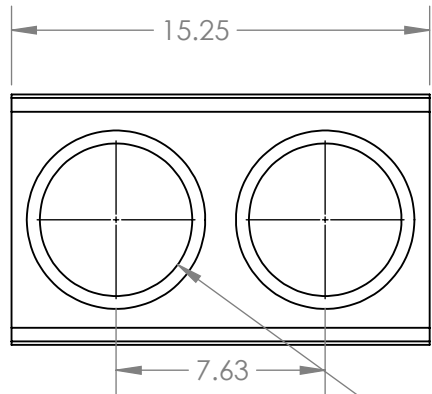
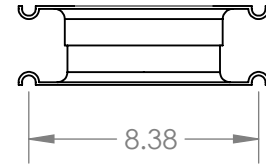
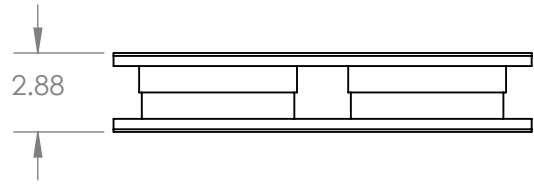
**Formex**<sup>®</sup>  
manufacturing, inc.

TITLE:  
**TERMINATOR**

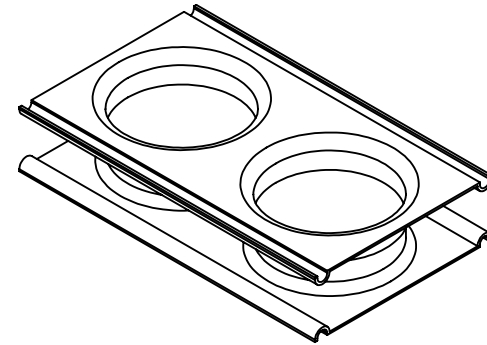
SIZE <b>A</b>	DWG. NO. FX-3753-A	REV <b>A</b>
------------------	-----------------------	-----------------

SCALE: 1:7 SHEET 244 OF 314

# T5A2-2020-2 7/8SW



Ø 5.56" HOLE FOR  
5" IPS CONDUIT



**PROPRIETARY AND CONFIDENTIAL**  
THE INFORMATION CONTAINED IN THIS DRAWING IS THE SOLE PROPERTY OF FORMEX MANUFACTURING. ANY REPRODUCTION IN PART OR AS A WHOLE WITHOUT THE WRITTEN PERMISSION OF FORMEX MANUFACTURING IS PROHIBITED.

UNLESS OTHERWISE SPECIFIED:	NAME	DATE
DIMENSIONS ARE IN INCHES	DRAWN	HKF 6/28/2024
TOLERANCES:	CHECKED	
FRACTIONAL ±1/32"	ENG APPR.	
ANGULAR: ±2°	MFG APPR.	
TWO PLACE DECIMAL ±0.03"	Q.A.	
THREE PLACE DECIMAL ±0.010"	COMMENTS:	
INTERPRET GEOMETRIC TOLERANCING PER:		
MATERIAL		
ABS		
FINISH		
GRAY / SMOOTH		
DO NOT SCALE DRAWING		

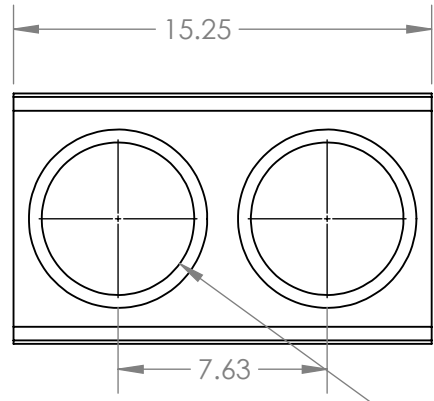
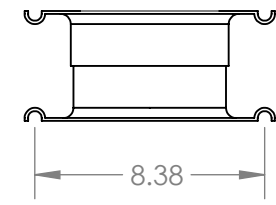
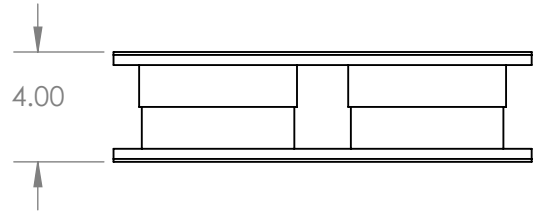
**Formex**<sup>®</sup>  
manufacturing, inc.

TITLE:  
**TERMINATOR**

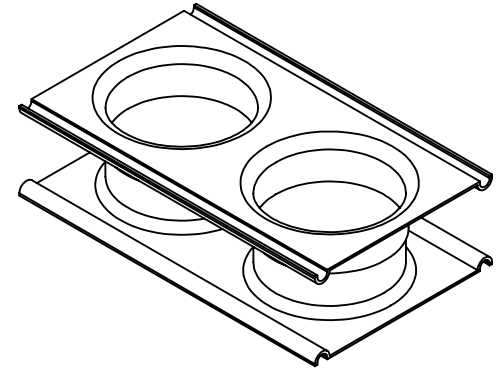
SIZE <b>A</b>	DWG. NO. FX-3753-A	REV <b>A</b>
------------------	-----------------------	-----------------

SCALE: 1:7 SHEET 245 OF 314

# T5A2-2020-4SW



Ø 5.56" HOLE FOR  
5" IPS CONDUIT



**PROPRIETARY AND CONFIDENTIAL**  
THE INFORMATION CONTAINED IN THIS DRAWING IS THE SOLE PROPERTY OF FORMEX MANUFACTURING. ANY REPRODUCTION IN PART OR AS A WHOLE WITHOUT THE WRITTEN PERMISSION OF FORMEX MANUFACTURING IS PROHIBITED.

UNLESS OTHERWISE SPECIFIED:	NAME	DATE
DIMENSIONS ARE IN INCHES	DRAWN	HKF 6/28/2024
TOLERANCES:	CHECKED	
FRACTIONAL ±1/32"	ENG APPR.	
ANGULAR: ±2°	MFG APPR.	
TWO PLACE DECIMAL ±0.03"	Q.A.	
THREE PLACE DECIMAL ±0.010"	COMMENTS:	
INTERPRET GEOMETRIC TOLERANCING PER:		
MATERIAL		
ABS		
FINISH		
GRAY / SMOOTH		
DO NOT SCALE DRAWING		

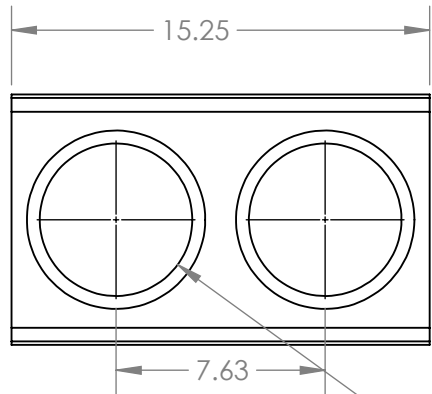
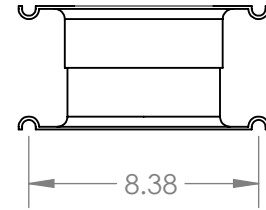
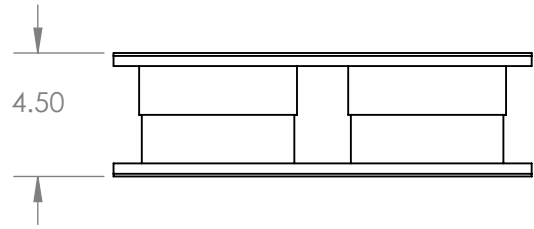
**Formex**<sup>®</sup>  
manufacturing, inc.

TITLE:  
**TERMINATOR**

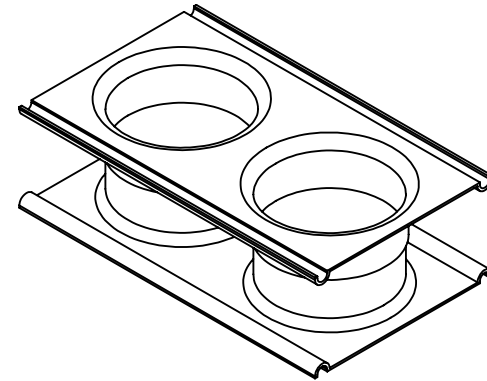
SIZE	DWG. NO.	REV
<b>A</b>	FX-3753-A	<b>A</b>

SCALE: 1:7 SHEET 246 OF 314

# T5A2-2020-4 1/2SW



Ø 5.56" HOLE FOR  
5" IPS CONDUIT



**PROPRIETARY AND CONFIDENTIAL**  
THE INFORMATION CONTAINED IN THIS DRAWING IS THE SOLE PROPERTY OF FORMEX MANUFACTURING. ANY REPRODUCTION IN PART OR AS A WHOLE WITHOUT THE WRITTEN PERMISSION OF FORMEX MANUFACTURING IS PROHIBITED.

UNLESS OTHERWISE SPECIFIED:	NAME	DATE
DIMENSIONS ARE IN INCHES	DRAWN	HKF 6/28/2024
TOLERANCES:	CHECKED	
FRACTIONAL ±1/32"	ENG APPR.	
ANGULAR: ±2°	MFG APPR.	
TWO PLACE DECIMAL ±0.03"	Q.A.	
THREE PLACE DECIMAL ±0.010"	COMMENTS:	
INTERPRET GEOMETRIC TOLERANCING PER:		
MATERIAL		
ABS		
FINISH		
GRAY / SMOOTH		
DO NOT SCALE DRAWING		

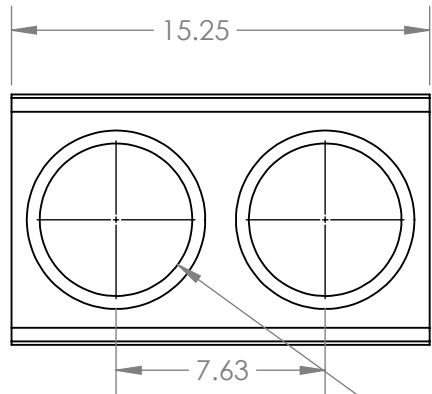
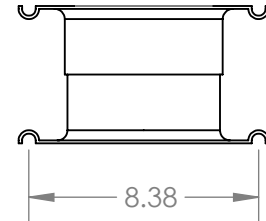
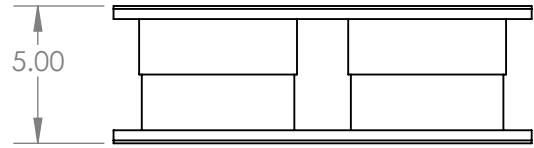
**Formex**<sup>®</sup>  
manufacturing, inc.

TITLE:  
**TERMINATOR**

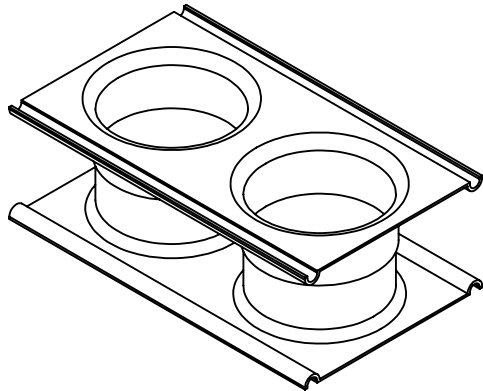
SIZE	DWG. NO.	REV
<b>A</b>	FX-3753-A	<b>A</b>

SCALE: 1:7 SHEET 247 OF 314

# T5A2-2020-5SW



Ø 5.56" HOLE FOR  
5" IPS CONDUIT



**PROPRIETARY AND CONFIDENTIAL**  
THE INFORMATION CONTAINED IN THIS DRAWING IS THE SOLE PROPERTY OF FORMEX MANUFACTURING. ANY REPRODUCTION IN PART OR AS A WHOLE WITHOUT THE WRITTEN PERMISSION OF FORMEX MANUFACTURING IS PROHIBITED.

UNLESS OTHERWISE SPECIFIED:	NAME	DATE
DIMENSIONS ARE IN INCHES	DRAWN	HKF 6/28/2024
TOLERANCES:	CHECKED	
FRACTIONAL ±1/32"	ENG APPR.	
ANGULAR: ±2°	MFG APPR.	
TWO PLACE DECIMAL ±0.03"	Q.A.	
THREE PLACE DECIMAL ±0.010"	COMMENTS:	
INTERPRET GEOMETRIC TOLERANCING PER:		
MATERIAL		
ABS		
FINISH		
GRAY / SMOOTH		
DO NOT SCALE DRAWING		

**Formex**<sup>®</sup>  
manufacturing, inc.

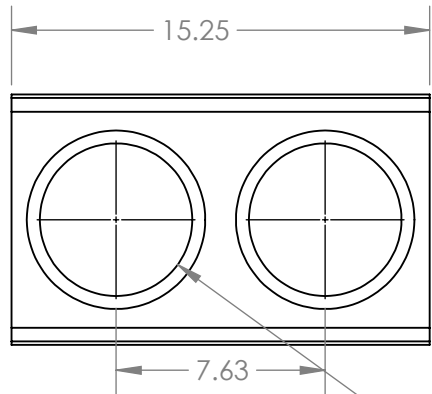
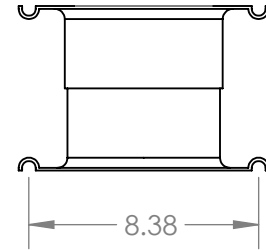
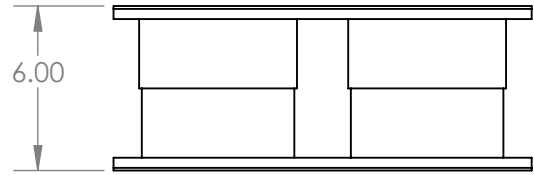
TITLE:  
**TERMINATOR**

SIZE	DWG. NO.	REV
<b>A</b>	FX-3753-A	<b>A</b>

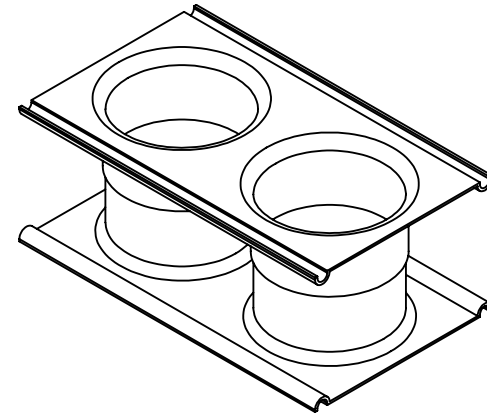
SCALE: 1:7 SHEET 248 OF 314



# T5A2-2020-6SW



Ø 5.56" HOLE FOR  
5" IPS CONDUIT



**PROPRIETARY AND CONFIDENTIAL**  
THE INFORMATION CONTAINED IN THIS DRAWING IS THE SOLE PROPERTY OF FORMEX MANUFACTURING. ANY REPRODUCTION IN PART OR AS A WHOLE WITHOUT THE WRITTEN PERMISSION OF FORMEX MANUFACTURING IS PROHIBITED.

UNLESS OTHERWISE SPECIFIED:	NAME	DATE
DIMENSIONS ARE IN INCHES	DRAWN	HKF 6/28/2024
TOLERANCES:	CHECKED	
FRACTIONAL ±1/32"	ENG APPR.	
ANGULAR: ±2°	MFG APPR.	
TWO PLACE DECIMAL ±0.03"	Q.A.	
THREE PLACE DECIMAL ±0.010"	COMMENTS:	
INTERPRET GEOMETRIC TOLERANCING PER:		
MATERIAL		
ABS		
FINISH		
GRAY / SMOOTH		
DO NOT SCALE DRAWING		

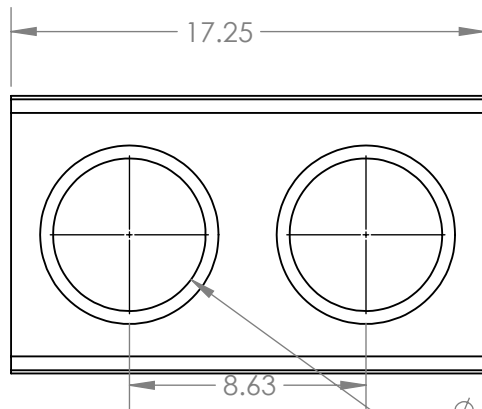
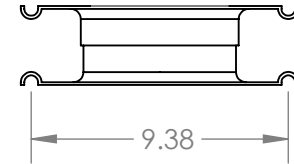
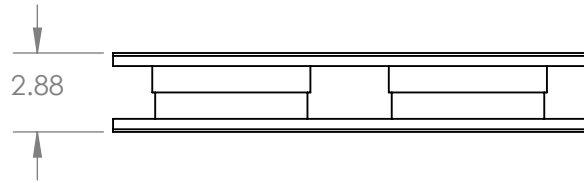
**Formex**<sup>®</sup>  
manufacturing, inc.

TITLE:  
**TERMINATOR**

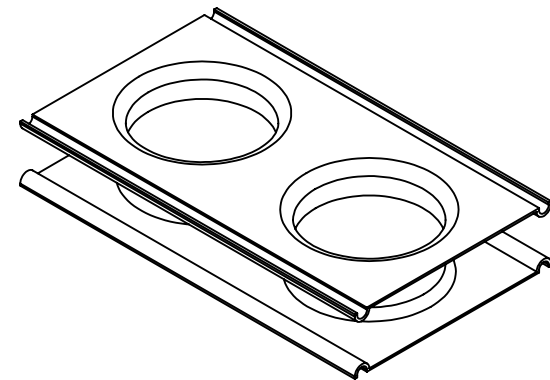
SIZE	DWG. NO.	REV
<b>A</b>	FX-3753-A	<b>A</b>

SCALE: 1:7 SHEET 249 OF 314

# T5A2-3030-2 7/8SW



Ø 5.56" HOLE FOR  
5" IPS CONDUIT



**PROPRIETARY AND CONFIDENTIAL**  
THE INFORMATION CONTAINED IN THIS DRAWING IS THE SOLE PROPERTY OF FORMEX MANUFACTURING. ANY REPRODUCTION IN PART OR AS A WHOLE WITHOUT THE WRITTEN PERMISSION OF FORMEX MANUFACTURING IS PROHIBITED.

UNLESS OTHERWISE SPECIFIED:		NAME	DATE
DIMENSIONS ARE IN INCHES TOLERANCES: FRACTIONAL ±1/32" ANGULAR: ±2° TWO PLACE DECIMAL ±0.03" THREE PLACE DECIMAL ±0.010"	DRAWN	HKF	6/28/2024
	CHECKED		
	ENG APPR.		
	MFG APPR.		
INTERPRET GEOMETRIC TOLERANCING PER:	Q.A.		
MATERIAL ABS	COMMENTS:		
FINISH GRAY / SMOOTH			
DO NOT SCALE DRAWING			

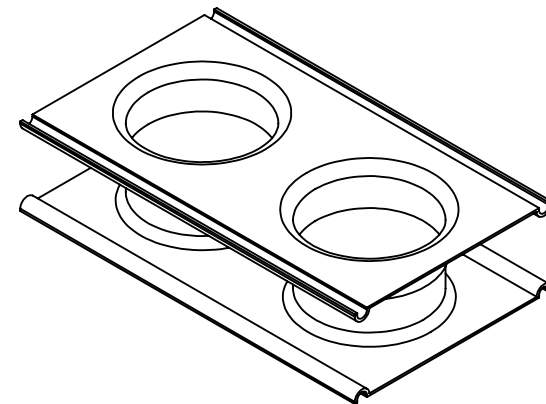
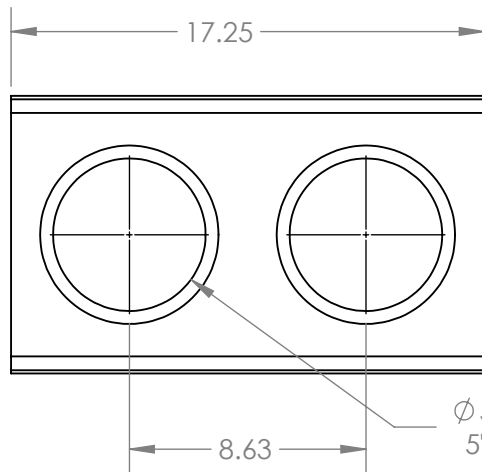
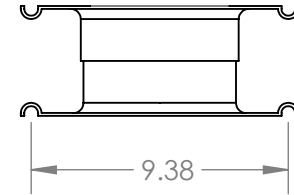
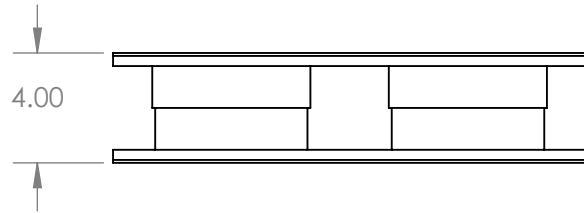
**Formex**<sup>®</sup>  
manufacturing, inc.

TITLE:  
**TERMINATOR**

SIZE <b>A</b>	DWG. NO. FX-3753-A	REV <b>A</b>
------------------	-----------------------	-----------------

SCALE: 1:7 SHEET 250 OF 314

# T5A2-3030-4SW



Ø 5.56" HOLE FOR  
5" IPS CONDUIT

**PROPRIETARY AND CONFIDENTIAL**  
THE INFORMATION CONTAINED IN THIS DRAWING IS THE SOLE PROPERTY OF FORMEX MANUFACTURING. ANY REPRODUCTION IN PART OR AS A WHOLE WITHOUT THE WRITTEN PERMISSION OF FORMEX MANUFACTURING IS PROHIBITED.

UNLESS OTHERWISE SPECIFIED:		NAME	DATE
DIMENSIONS ARE IN INCHES	DRAWN	HKF	6/28/2024
TOLERANCES:	CHECKED		
FRACTIONAL ±1/32"	ENG APPR.		
ANGULAR: ±2°	MFG APPR.		
TWO PLACE DECIMAL ±0.03"	Q.A.		
THREE PLACE DECIMAL ±0.010"	COMMENTS:		
INTERPRET GEOMETRIC TOLERANCING PER:			
MATERIAL			
ABS			
FINISH			
GRAY / SMOOTH			
DO NOT SCALE DRAWING			

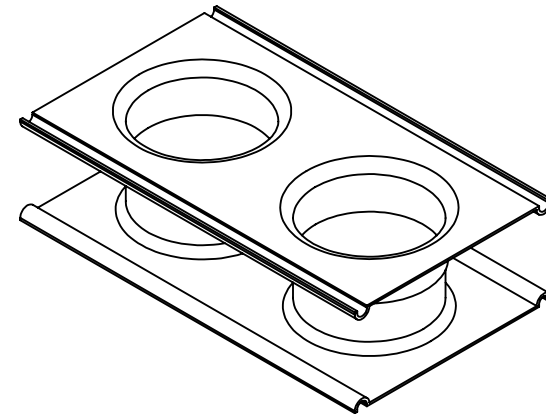
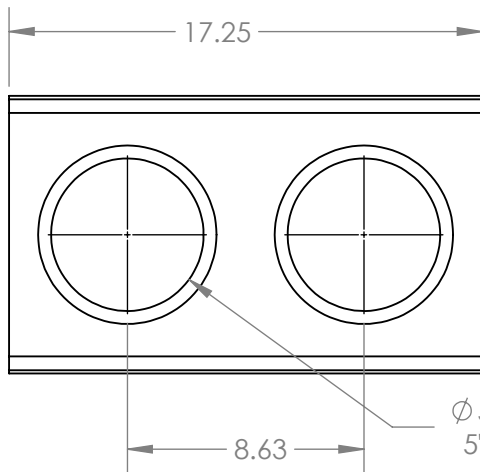
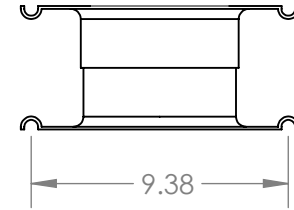
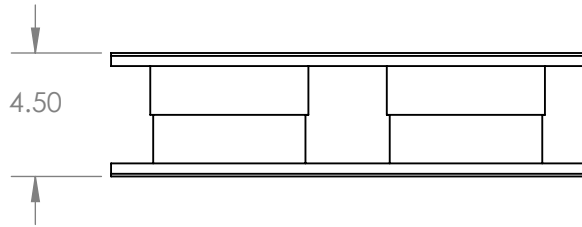
**Formex**<sup>®</sup>  
manufacturing, inc.

TITLE:  
**TERMINATOR**

SIZE <b>A</b>	DWG. NO. FX-3753-A	REV <b>A</b>
------------------	-----------------------	-----------------

SCALE: 1:7 SHEET 251 OF 314

# T5A2-3030-4 1/2SW



Ø 5.56" HOLE FOR  
5" IPS CONDUIT

**PROPRIETARY AND CONFIDENTIAL**  
THE INFORMATION CONTAINED IN THIS DRAWING IS THE SOLE PROPERTY OF FORMEX MANUFACTURING. ANY REPRODUCTION IN PART OR AS A WHOLE WITHOUT THE WRITTEN PERMISSION OF FORMEX MANUFACTURING IS PROHIBITED.

UNLESS OTHERWISE SPECIFIED:		NAME	DATE
DIMENSIONS ARE IN INCHES TOLERANCES: FRACTIONAL $\pm 1/32"$ ANGULAR: $\pm 2^\circ$ TWO PLACE DECIMAL $\pm 0.03"$ THREE PLACE DECIMAL $\pm 0.010"$	DRAWN	HKF	6/28/2024
	CHECKED		
	ENG APPR.		
	MFG APPR.		
INTERPRET GEOMETRIC TOLERANCING PER:	Q.A.		
MATERIAL ABS	COMMENTS:		
FINISH GRAY / SMOOTH			
DO NOT SCALE DRAWING			

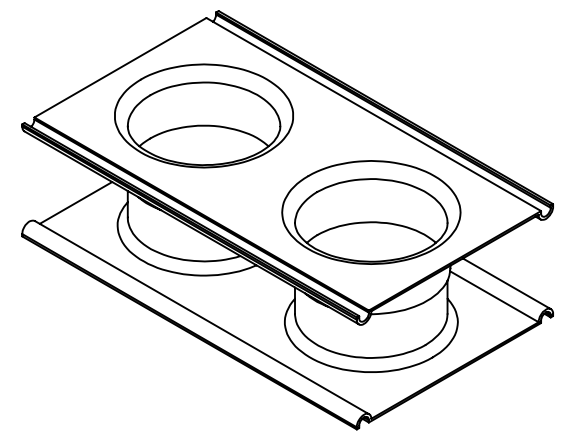
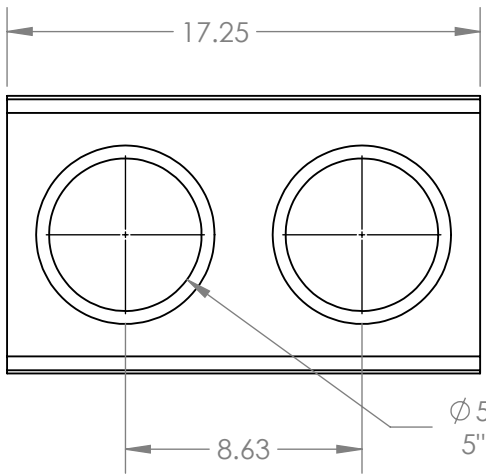
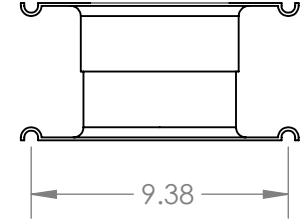
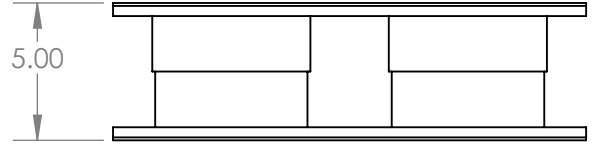
**Formex**<sup>®</sup>  
manufacturing, inc.

TITLE:  
**TERMINATOR**

SIZE <b>A</b>	DWG. NO. FX-3753-A	REV <b>A</b>
------------------	-----------------------	-----------------

SCALE: 1:7 SHEET 252 OF 314

# T5A2-3030-5SW



Ø 5.56" HOLE FOR  
5" IPS CONDUIT

**PROPRIETARY AND CONFIDENTIAL**  
THE INFORMATION CONTAINED IN THIS DRAWING IS THE SOLE PROPERTY OF FORMEX MANUFACTURING. ANY REPRODUCTION IN PART OR AS A WHOLE WITHOUT THE WRITTEN PERMISSION OF FORMEX MANUFACTURING IS PROHIBITED.

UNLESS OTHERWISE SPECIFIED:	NAME	DATE
DIMENSIONS ARE IN INCHES	DRAWN	HKF 6/28/2024
TOLERANCES:	CHECKED	
FRACTIONAL ±1/32"	ENG APPR.	
ANGULAR: ±2°	MFG APPR.	
TWO PLACE DECIMAL ±0.03"	Q.A.	
THREE PLACE DECIMAL ±0.010"	COMMENTS:	
INTERPRET GEOMETRIC TOLERANCING PER:		
MATERIAL		
ABS		
FINISH		
GRAY / SMOOTH		
DO NOT SCALE DRAWING		

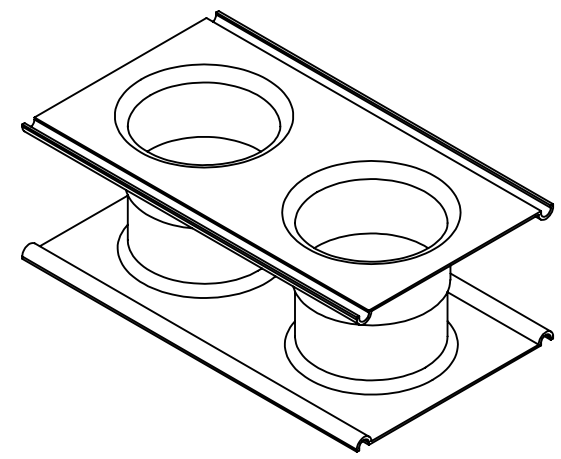
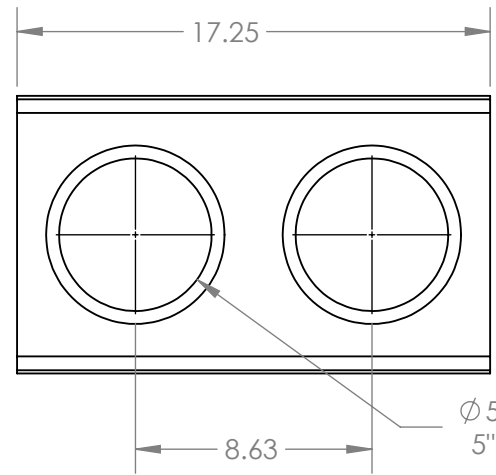
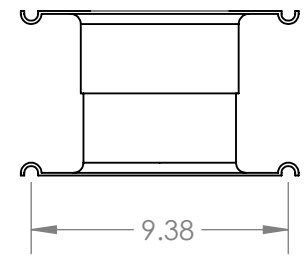
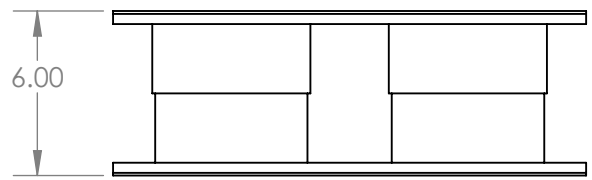
**Formex**<sup>®</sup>  
manufacturing, inc.

TITLE:  
**TERMINATOR**

SIZE	DWG. NO.	REV
<b>A</b>	FX-3753-A	<b>A</b>

SCALE: 1:7 SHEET 253 OF 314

# T5A2-3030-6SW



Ø 5.56" HOLE FOR  
5" IPS CONDUIT

**PROPRIETARY AND CONFIDENTIAL**  
THE INFORMATION CONTAINED IN THIS DRAWING IS THE SOLE PROPERTY OF FORMEX MANUFACTURING. ANY REPRODUCTION IN PART OR AS A WHOLE WITHOUT THE WRITTEN PERMISSION OF FORMEX MANUFACTURING IS PROHIBITED.

UNLESS OTHERWISE SPECIFIED:	NAME	DATE
DIMENSIONS ARE IN INCHES	DRAWN	HKF 6/28/2024
TOLERANCES:	CHECKED	
FRACTIONAL ±1/32"	ENG APPR.	
ANGULAR: ±2°	MFG APPR.	
TWO PLACE DECIMAL ±0.03"	Q.A.	
THREE PLACE DECIMAL ±0.010"	COMMENTS:	
INTERPRET GEOMETRIC TOLERANCING PER:		
MATERIAL		
ABS		
FINISH		
GRAY / SMOOTH		
DO NOT SCALE DRAWING		

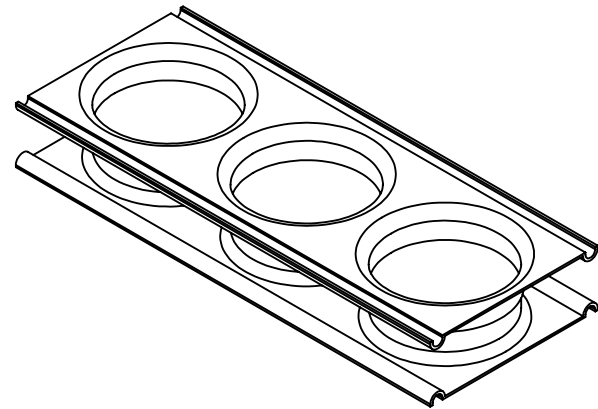
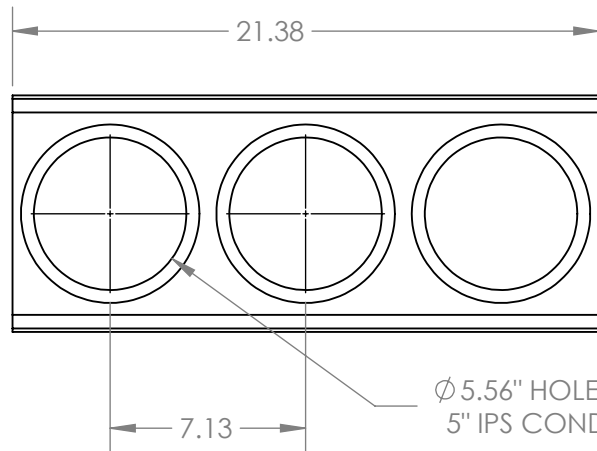
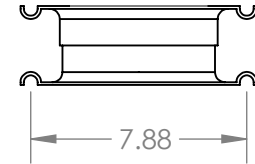
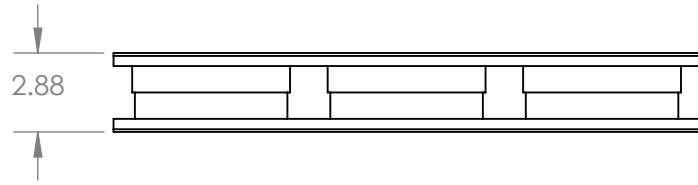
**Formex**<sup>®</sup>  
manufacturing, inc.

TITLE:  
**TERMINATOR**

SIZE <b>A</b>	DWG. NO. FX-3753-A	REV <b>A</b>
------------------	-----------------------	-----------------

SCALE: 1:7 SHEET 254 OF 314

# T5A3-1515-2 7/8SW



**PROPRIETARY AND CONFIDENTIAL**  
 THE INFORMATION CONTAINED IN THIS DRAWING IS THE SOLE PROPERTY OF FORMEX MANUFACTURING. ANY REPRODUCTION IN PART OR AS A WHOLE WITHOUT THE WRITTEN PERMISSION OF FORMEX MANUFACTURING IS PROHIBITED.

UNLESS OTHERWISE SPECIFIED:		NAME	DATE
DIMENSIONS ARE IN INCHES	DRAWN	HKF	6/28/2024
TOLERANCES:	CHECKED		
FRACTIONAL ±1/32"	ENG APPR.		
ANGULAR: ±2°	MFG APPR.		
TWO PLACE DECIMAL ±0.03"	Q.A.		
THREE PLACE DECIMAL ±0.010"	COMMENTS:		
INTERPRET GEOMETRIC TOLERANCING PER:			
MATERIAL			
ABS			
FINISH			
GRAY / SMOOTH			
DO NOT SCALE DRAWING			

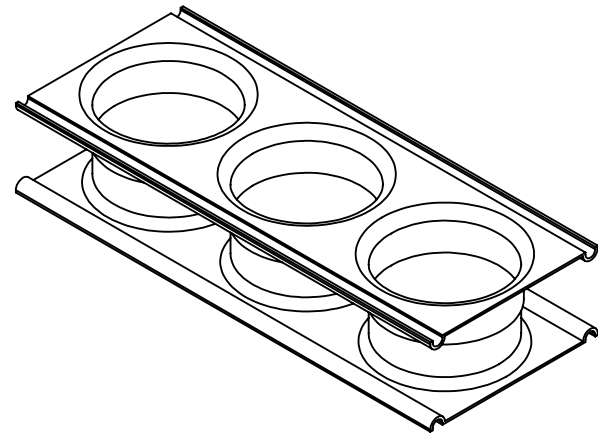
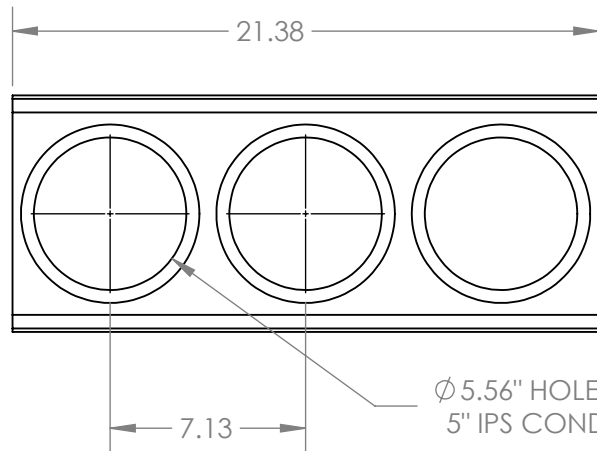
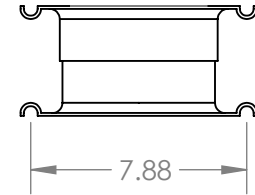
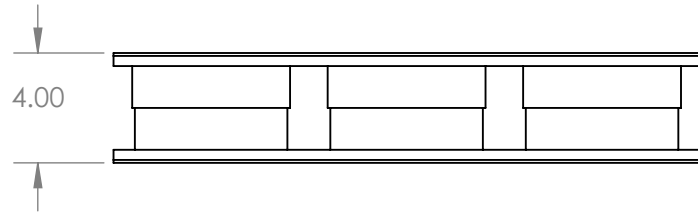
**Formex**<sup>®</sup>  
 manufacturing, inc.

TITLE:  
**TERMINATOR**

SIZE <b>A</b>	DWG. NO. FX-3753-A	REV <b>A</b>
------------------	-----------------------	-----------------

SCALE: 1:7 SHEET 255 OF 314

# T5A3-1515-4SW



**PROPRIETARY AND CONFIDENTIAL**  
 THE INFORMATION CONTAINED IN THIS DRAWING IS THE SOLE PROPERTY OF FORMEX MANUFACTURING. ANY REPRODUCTION IN PART OR AS A WHOLE WITHOUT THE WRITTEN PERMISSION OF FORMEX MANUFACTURING IS PROHIBITED.

UNLESS OTHERWISE SPECIFIED:	NAME	DATE
DIMENSIONS ARE IN INCHES	DRAWN	HKF 6/28/2024
TOLERANCES:	CHECKED	
FRACTIONAL ±1/32"	ENG APPR.	
ANGULAR: ±2°	MFG APPR.	
TWO PLACE DECIMAL ±0.03"	Q.A.	
THREE PLACE DECIMAL ±0.010"	COMMENTS:	
INTERPRET GEOMETRIC TOLERANCING PER:		
MATERIAL		
ABS		
FINISH		
GRAY / SMOOTH		
DO NOT SCALE DRAWING		

**Formex**<sup>®</sup>  
 manufacturing, inc.

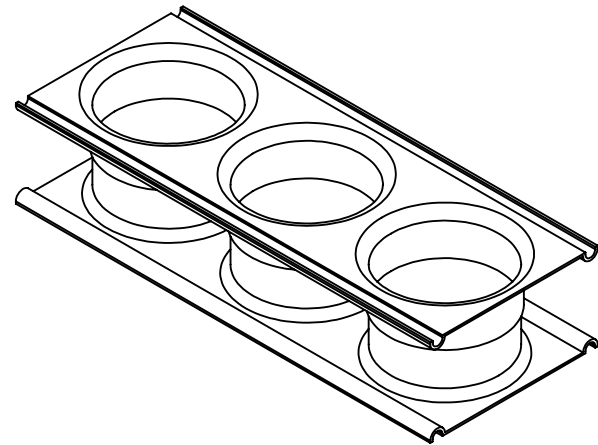
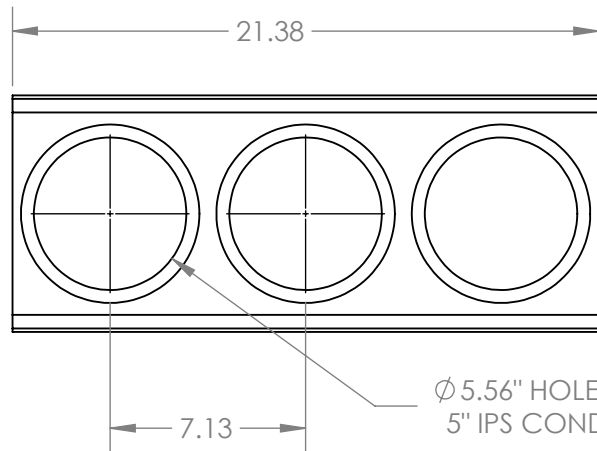
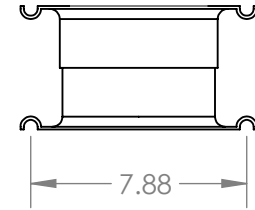
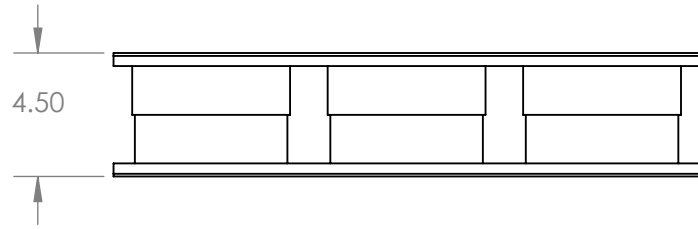
TITLE:  
**TERMINATOR**

SIZE	DWG. NO.	REV
<b>A</b>	FX-3753-A	<b>A</b>

SCALE: 1:7 SHEET 256 OF 314



# T5A3-1515-4 1/2SW



**PROPRIETARY AND CONFIDENTIAL**  
 THE INFORMATION CONTAINED IN THIS DRAWING IS THE SOLE PROPERTY OF FORMEX MANUFACTURING. ANY REPRODUCTION IN PART OR AS A WHOLE WITHOUT THE WRITTEN PERMISSION OF FORMEX MANUFACTURING IS PROHIBITED.

UNLESS OTHERWISE SPECIFIED:	NAME	DATE
DIMENSIONS ARE IN INCHES	DRAWN	HKF 6/28/2024
TOLERANCES:	CHECKED	
FRACTIONAL $\pm 1/32"$	ENG APPR.	
ANGULAR: $\pm 2^\circ$	MFG APPR.	
TWO PLACE DECIMAL $\pm 0.03"$	Q.A.	
THREE PLACE DECIMAL $\pm 0.010"$	COMMENTS:	
INTERPRET GEOMETRIC TOLERANCING PER:		
MATERIAL		
ABS		
FINISH		
GRAY / SMOOTH		
DO NOT SCALE DRAWING		

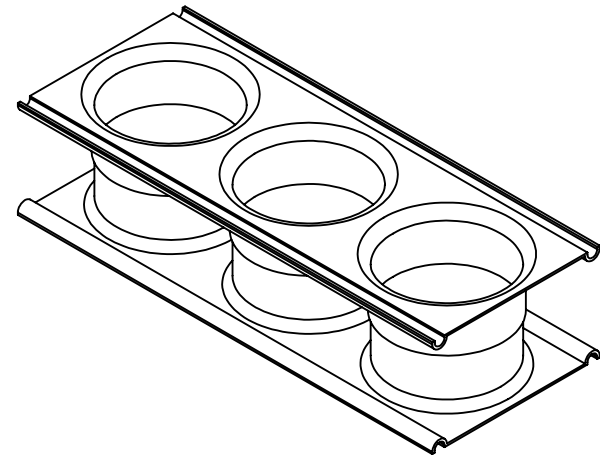
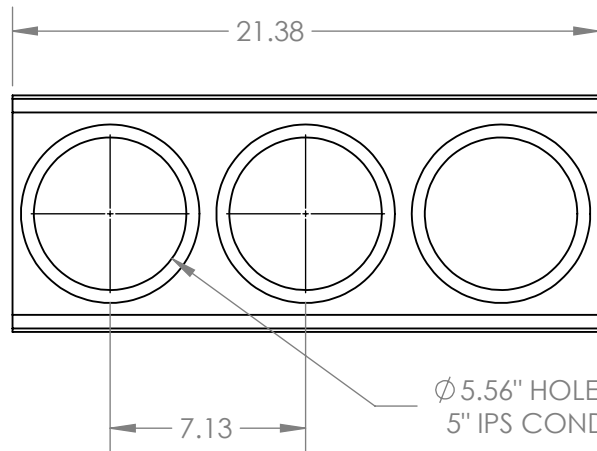
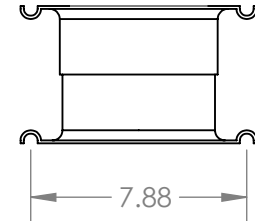
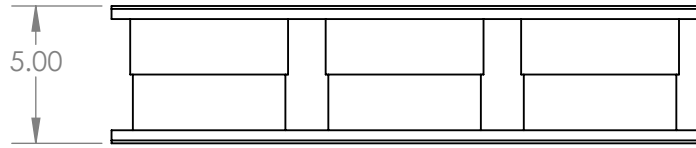
**Formex**<sup>®</sup>  
 manufacturing, inc.

TITLE:  
**TERMINATOR**

SIZE <b>A</b>	DWG. NO. FX-3753-A	REV <b>A</b>
------------------	-----------------------	-----------------

SCALE: 1:7 SHEET 257 OF 314

# T5A3-1515-5SW



**PROPRIETARY AND CONFIDENTIAL**  
 THE INFORMATION CONTAINED IN THIS DRAWING IS THE SOLE PROPERTY OF FORMEX MANUFACTURING. ANY REPRODUCTION IN PART OR AS A WHOLE WITHOUT THE WRITTEN PERMISSION OF FORMEX MANUFACTURING IS PROHIBITED.

UNLESS OTHERWISE SPECIFIED:	NAME	DATE
DIMENSIONS ARE IN INCHES	DRAWN	HKF 6/28/2024
TOLERANCES:	CHECKED	
FRACTIONAL ±1/32"	ENG APPR.	
ANGULAR: ±2°	MFG APPR.	
TWO PLACE DECIMAL ±0.03"	Q.A.	
THREE PLACE DECIMAL ±0.010"	COMMENTS:	
INTERPRET GEOMETRIC TOLERANCING PER:		
MATERIAL		
ABS		
FINISH		
GRAY / SMOOTH		
DO NOT SCALE DRAWING		

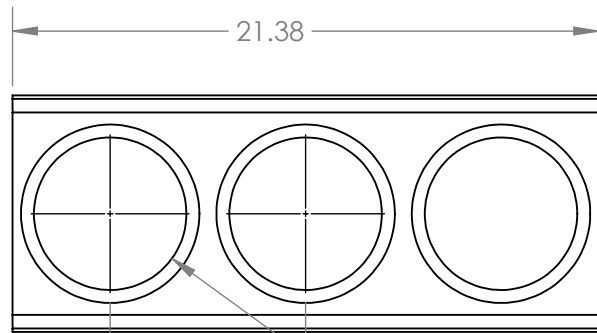
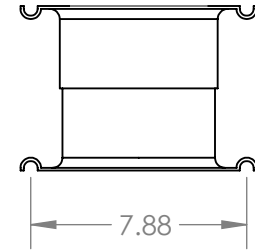
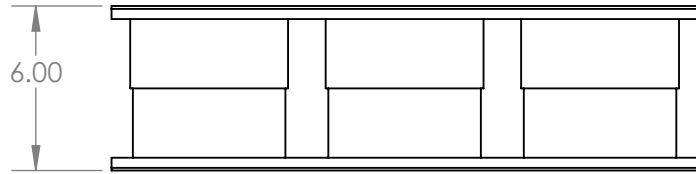
**Formex**<sup>®</sup>  
 manufacturing, inc.

TITLE:  
**TERMINATOR**

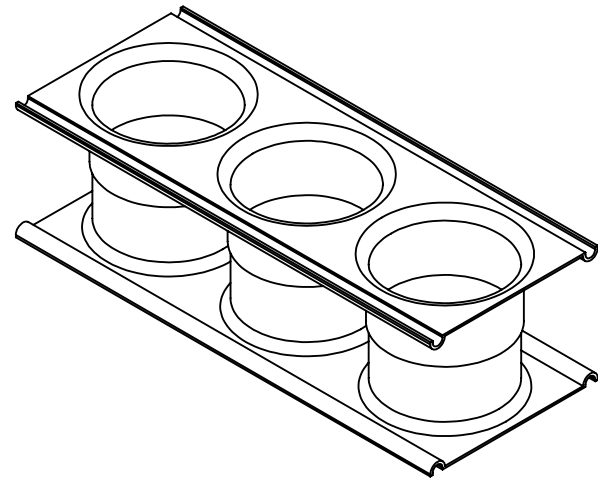
SIZE <b>A</b>	DWG. NO. FX-3753-A	REV <b>A</b>
------------------	-----------------------	-----------------

SCALE: 1:7 SHEET 258 OF 314

# T5A3-1515-6SW



Ø 5.56" HOLE FOR  
5" IPS CONDUIT



**PROPRIETARY AND CONFIDENTIAL**  
THE INFORMATION CONTAINED IN THIS DRAWING IS THE SOLE PROPERTY OF FORMEX MANUFACTURING. ANY REPRODUCTION IN PART OR AS A WHOLE WITHOUT THE WRITTEN PERMISSION OF FORMEX MANUFACTURING IS PROHIBITED.

UNLESS OTHERWISE SPECIFIED:		NAME	DATE
DIMENSIONS ARE IN INCHES TOLERANCES: FRACTIONAL ±1/32" ANGULAR: ±2° TWO PLACE DECIMAL ±0.03" THREE PLACE DECIMAL ±0.010"	DRAWN	HKF	6/28/2024
	CHECKED		
	ENG APPR.		
	MFG APPR.		
INTERPRET GEOMETRIC TOLERANCING PER:	Q.A.		
MATERIAL ABS	COMMENTS:		
FINISH GRAY / SMOOTH			
DO NOT SCALE DRAWING			

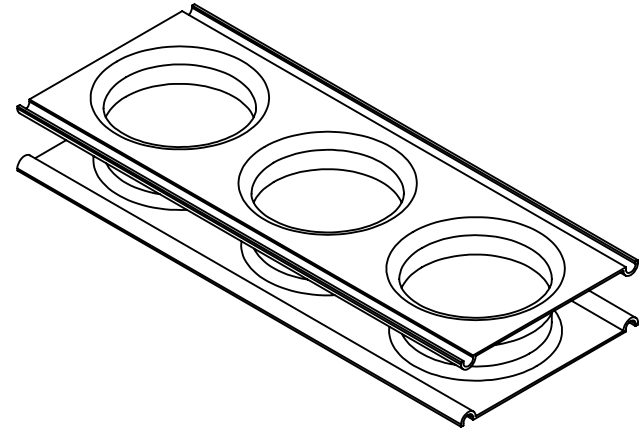
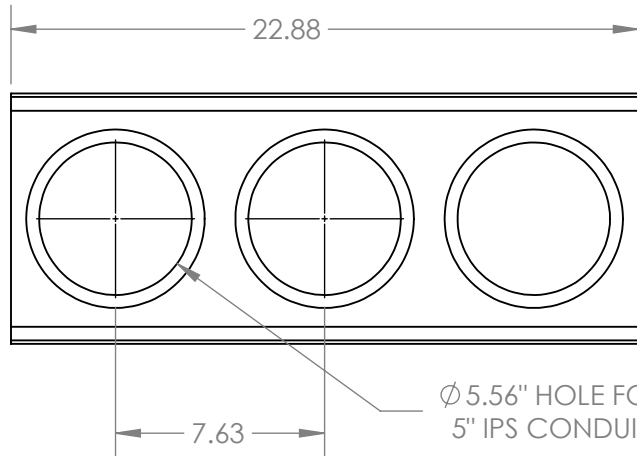
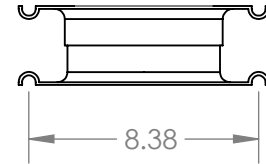
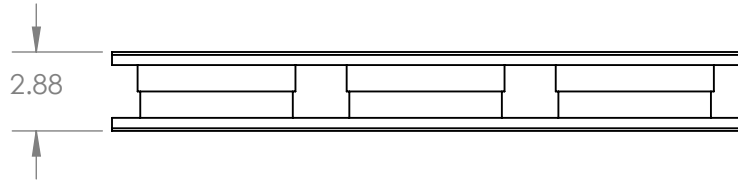
**Formex**<sup>®</sup>  
manufacturing, inc.

TITLE:  
**TERMINATOR**

SIZE <b>A</b>	DWG. NO. FX-3753-A	REV <b>A</b>
------------------	-----------------------	-----------------

SCALE: 1:7 SHEET 259 OF 314

# T5A3-2020-2 7/8SW



**PROPRIETARY AND CONFIDENTIAL**  
 THE INFORMATION CONTAINED IN THIS DRAWING IS THE SOLE PROPERTY OF FORMEX MANUFACTURING. ANY REPRODUCTION IN PART OR AS A WHOLE WITHOUT THE WRITTEN PERMISSION OF FORMEX MANUFACTURING IS PROHIBITED.

UNLESS OTHERWISE SPECIFIED:	NAME	DATE
DIMENSIONS ARE IN INCHES	DRAWN	HKF 6/28/2024
TOLERANCES:	CHECKED	
FRACTIONAL ±1/32"	ENG APPR.	
ANGULAR: ±2°	MFG APPR.	
TWO PLACE DECIMAL ±0.03"	Q.A.	
THREE PLACE DECIMAL ±0.010"	COMMENTS:	
INTERPRET GEOMETRIC TOLERANCING PER:		
MATERIAL		
ABS		
FINISH		
GRAY / SMOOTH		
DO NOT SCALE DRAWING		

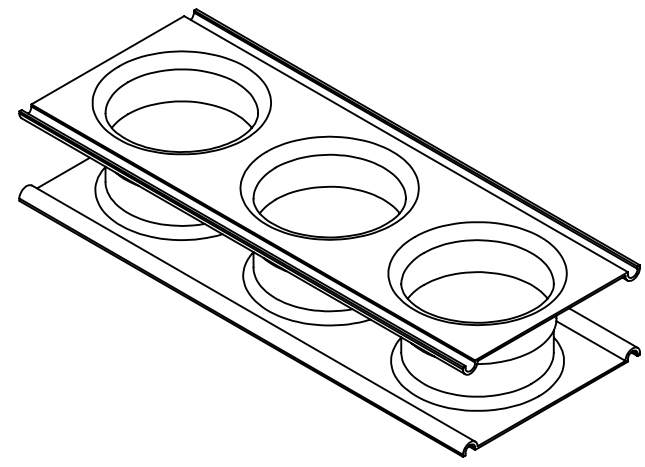
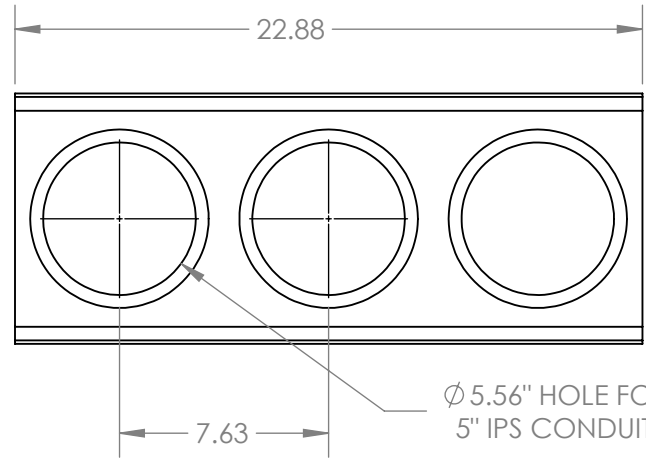
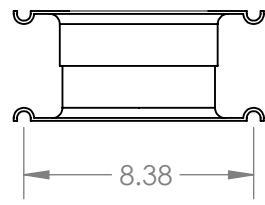
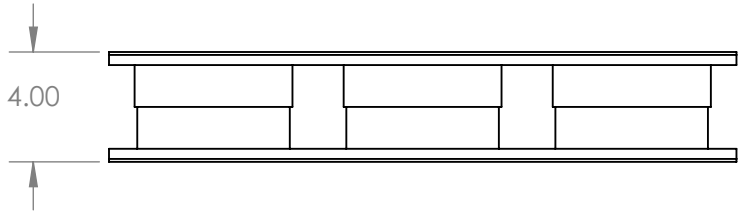
**Formex**<sup>®</sup>  
 manufacturing, inc.

TITLE:  
**TERMINATOR**

SIZE	DWG. NO.	REV
<b>A</b>	FX-3753-A	<b>A</b>

SCALE: 1:7 SHEET 260 OF 314

# T5A3-2020-4SW



**PROPRIETARY AND CONFIDENTIAL**  
 THE INFORMATION CONTAINED IN THIS DRAWING IS THE SOLE PROPERTY OF FORMEX MANUFACTURING. ANY REPRODUCTION IN PART OR AS A WHOLE WITHOUT THE WRITTEN PERMISSION OF FORMEX MANUFACTURING IS PROHIBITED.

UNLESS OTHERWISE SPECIFIED:	NAME	DATE
DIMENSIONS ARE IN INCHES	DRAWN	HKF 6/28/2024
TOLERANCES:	CHECKED	
FRACTIONAL ±1/32"	ENG APPR.	
ANGULAR: ±2°	MFG APPR.	
TWO PLACE DECIMAL ±0.03"	Q.A.	
THREE PLACE DECIMAL ±0.010"	COMMENTS:	
INTERPRET GEOMETRIC TOLERANCING PER:		
MATERIAL		
ABS		
FINISH		
GRAY / SMOOTH		
DO NOT SCALE DRAWING		

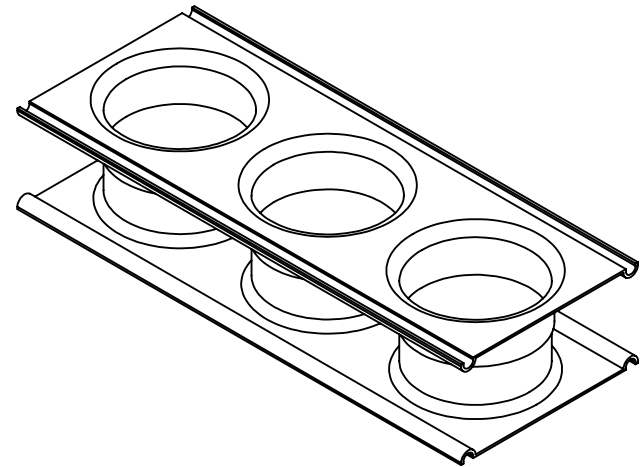
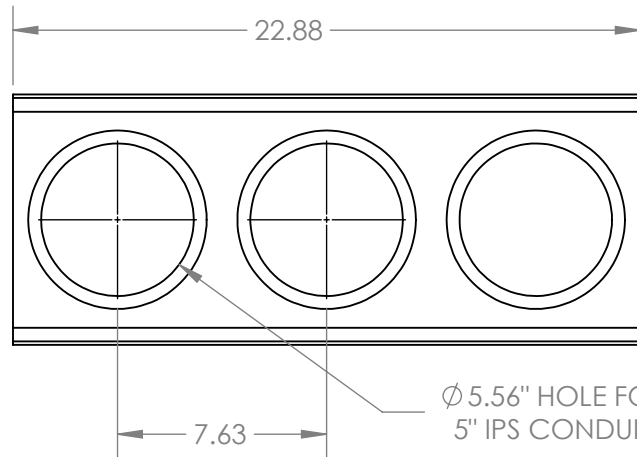
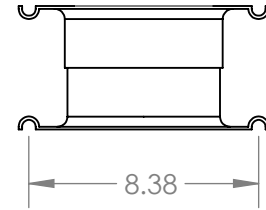
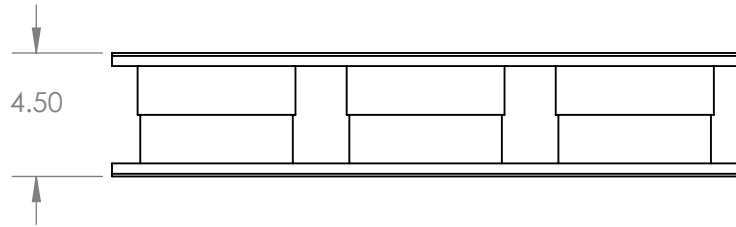
**Formex**<sup>®</sup>  
 manufacturing, inc.

TITLE:  
**TERMINATOR**

SIZE	DWG. NO.	REV
<b>A</b>	FX-3753-A	<b>A</b>

SCALE: 1:7 SHEET 261 OF 314

# T5A3-2020-4 1/2SW



**PROPRIETARY AND CONFIDENTIAL**  
THE INFORMATION CONTAINED IN THIS DRAWING IS THE SOLE PROPERTY OF FORMEX MANUFACTURING. ANY REPRODUCTION IN PART OR AS A WHOLE WITHOUT THE WRITTEN PERMISSION OF FORMEX MANUFACTURING IS PROHIBITED.

UNLESS OTHERWISE SPECIFIED:		NAME	DATE
DIMENSIONS ARE IN INCHES TOLERANCES: FRACTIONAL ±1/32" ANGULAR: ±2° TWO PLACE DECIMAL ±0.03" THREE PLACE DECIMAL ±0.010"	DRAWN	HKF	6/28/2024
	CHECKED		
	ENG APPR.		
	MFG APPR.		
INTERPRET GEOMETRIC TOLERANCING PER:	Q.A.		
MATERIAL ABS	COMMENTS:		
FINISH GRAY / SMOOTH			
DO NOT SCALE DRAWING			

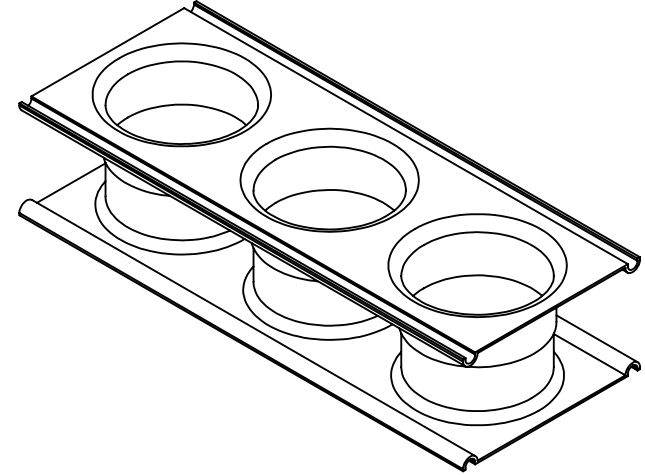
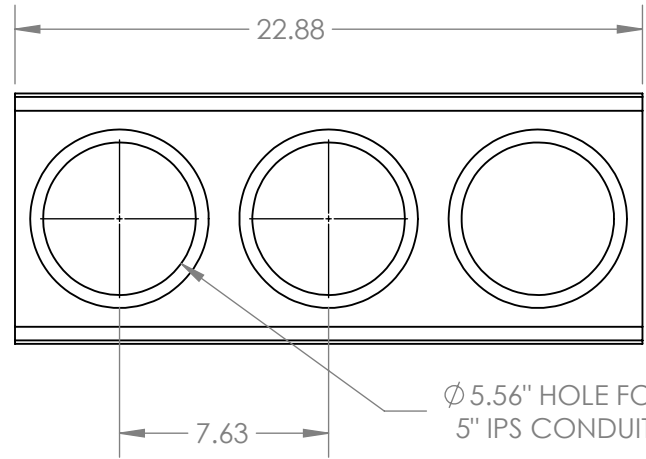
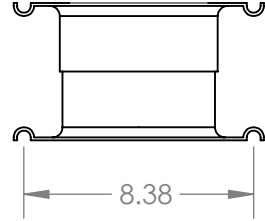
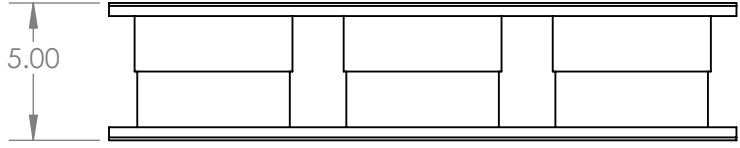
**Formex**<sup>®</sup>  
manufacturing, inc.

TITLE:  
**TERMINATOR**

SIZE <b>A</b>	DWG. NO. FX-3753-A	REV <b>A</b>
------------------	-----------------------	-----------------

SCALE: 1:7 SHEET 262 OF 314

# T5A3-2020-5SW



**PROPRIETARY AND CONFIDENTIAL**  
 THE INFORMATION CONTAINED IN THIS DRAWING IS THE SOLE PROPERTY OF FORMEX MANUFACTURING. ANY REPRODUCTION IN PART OR AS A WHOLE WITHOUT THE WRITTEN PERMISSION OF FORMEX MANUFACTURING IS PROHIBITED.

UNLESS OTHERWISE SPECIFIED:	NAME	DATE
DIMENSIONS ARE IN INCHES	DRAWN	HKF 6/28/2024
TOLERANCES:	CHECKED	
FRACTIONAL ±1/32"	ENG APPR.	
ANGULAR: ±2°	MFG APPR.	
TWO PLACE DECIMAL ±0.03"	Q.A.	
THREE PLACE DECIMAL ±0.010"	COMMENTS:	
INTERPRET GEOMETRIC TOLERANCING PER:		
MATERIAL		
ABS		
FINISH		
GRAY / SMOOTH		
DO NOT SCALE DRAWING		

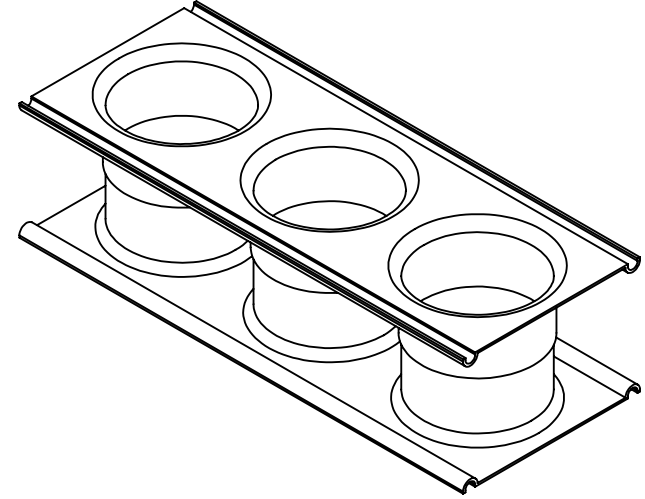
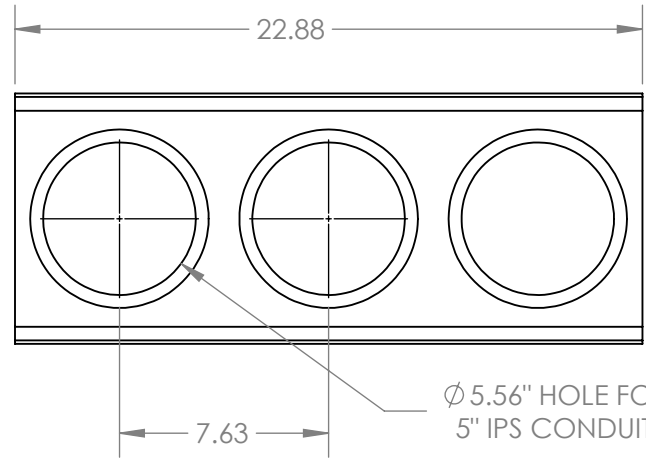
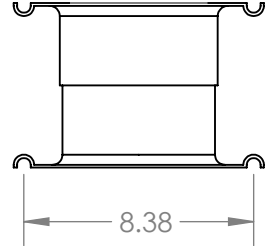
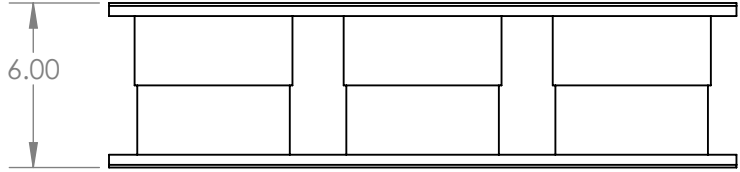
**Formex**<sup>®</sup>  
 manufacturing, inc.

TITLE:  
**TERMINATOR**

SIZE	DWG. NO.	REV
<b>A</b>	FX-3753-A	<b>A</b>

SCALE: 1:7 SHEET 263 OF 314

# T5A3-2020-6SW



**PROPRIETARY AND CONFIDENTIAL**  
 THE INFORMATION CONTAINED IN THIS DRAWING IS THE SOLE PROPERTY OF FORMEX MANUFACTURING. ANY REPRODUCTION IN PART OR AS A WHOLE WITHOUT THE WRITTEN PERMISSION OF FORMEX MANUFACTURING IS PROHIBITED.

UNLESS OTHERWISE SPECIFIED:	NAME	DATE
DIMENSIONS ARE IN INCHES	DRAWN	HKF 6/28/2024
TOLERANCES:	CHECKED	
FRACTIONAL ±1/32"	ENG APPR.	
ANGULAR: ±2°	MFG APPR.	
TWO PLACE DECIMAL ±0.03"	Q.A.	
THREE PLACE DECIMAL ±0.010"	COMMENTS:	
INTERPRET GEOMETRIC TOLERANCING PER:		
MATERIAL		
ABS		
FINISH		
GRAY / SMOOTH		
DO NOT SCALE DRAWING		

**Formex**<sup>®</sup>  
 manufacturing, inc.

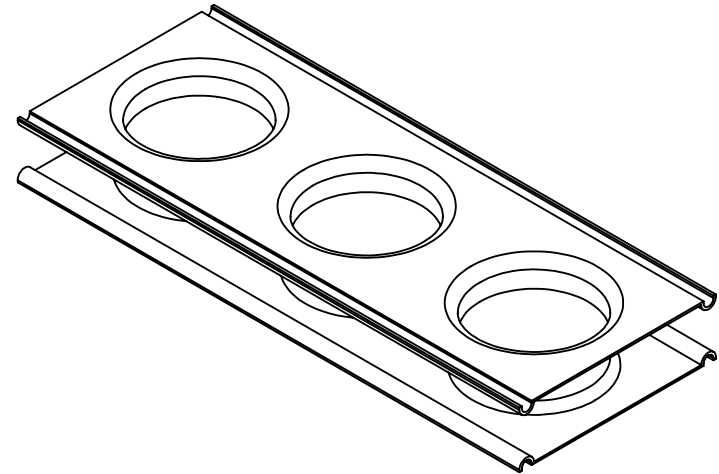
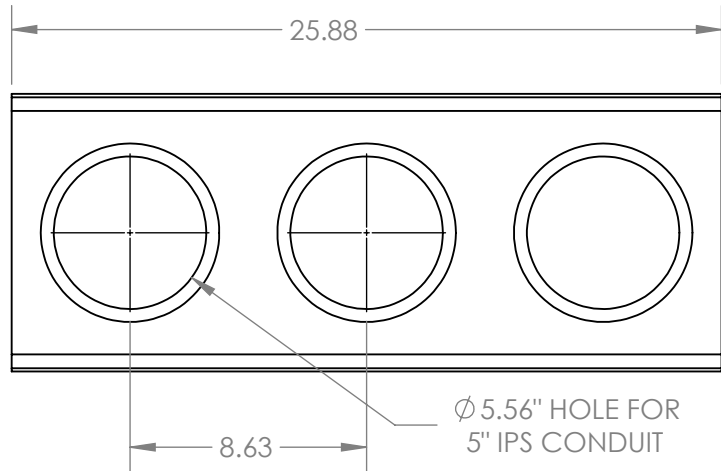
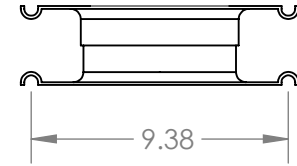
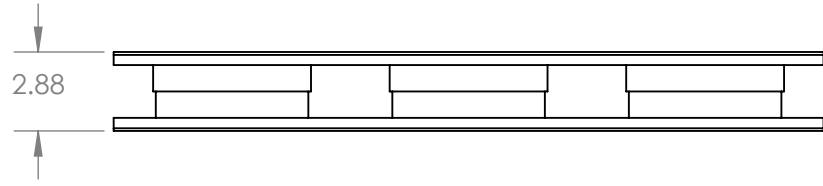
TITLE:  
**TERMINATOR**

SIZE	DWG. NO.	REV
<b>A</b>	FX-3753-A	<b>A</b>

SCALE: 1:7 SHEET 264 OF 314



# T5A3-3030-2 7/8SW



**PROPRIETARY AND CONFIDENTIAL**  
THE INFORMATION CONTAINED IN THIS DRAWING IS THE SOLE PROPERTY OF FORMEX MANUFACTURING. ANY REPRODUCTION IN PART OR AS A WHOLE WITHOUT THE WRITTEN PERMISSION OF FORMEX MANUFACTURING IS PROHIBITED.

UNLESS OTHERWISE SPECIFIED:	NAME	DATE
DIMENSIONS ARE IN INCHES	DRAWN	HKF 6/28/2024
TOLERANCES:	CHECKED	
FRACTIONAL ±1/32"	ENG APPR.	
ANGULAR: ±2°	MFG APPR.	
TWO PLACE DECIMAL ±0.03"	Q.A.	
THREE PLACE DECIMAL ±0.010"	COMMENTS:	
INTERPRET GEOMETRIC TOLERANCING PER:		
MATERIAL		
ABS		
FINISH		
GRAY / SMOOTH		
DO NOT SCALE DRAWING		

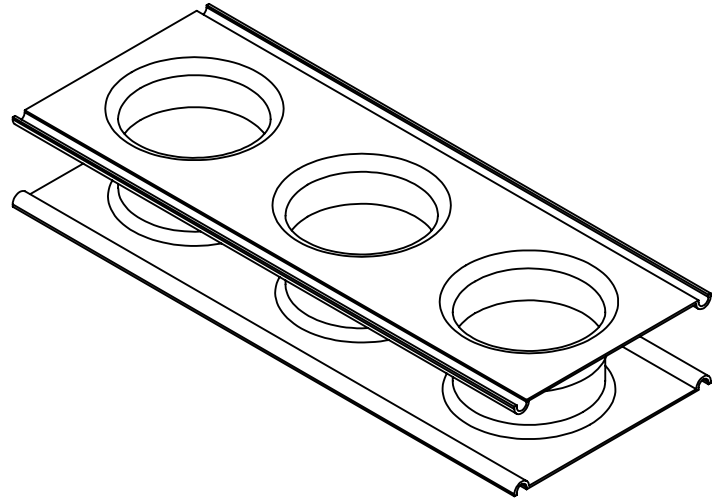
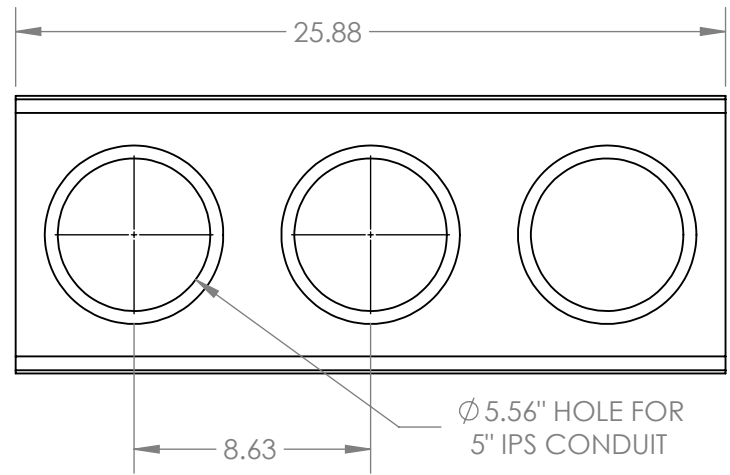
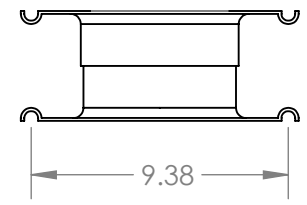
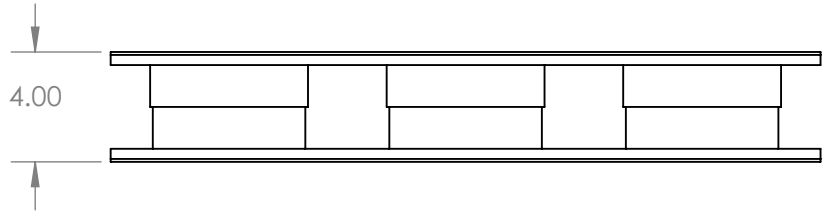
**Formex**<sup>®</sup>  
manufacturing, inc.

TITLE:  
**TERMINATOR**

SIZE <b>A</b>	DWG. NO. FX-3753-A	REV <b>A</b>
------------------	-----------------------	-----------------

SCALE: 1:7 SHEET 265 OF 314

# T5A3-3030-4SW



**PROPRIETARY AND CONFIDENTIAL**  
 THE INFORMATION CONTAINED IN THIS DRAWING IS THE SOLE PROPERTY OF FORMEX MANUFACTURING. ANY REPRODUCTION IN PART OR AS A WHOLE WITHOUT THE WRITTEN PERMISSION OF FORMEX MANUFACTURING IS PROHIBITED.

UNLESS OTHERWISE SPECIFIED:	NAME	DATE
DIMENSIONS ARE IN INCHES	DRAWN	HKF 6/28/2024
TOLERANCES:	CHECKED	
FRACTIONAL ±1/32"	ENG APPR.	
ANGULAR: ±2°	MFG APPR.	
TWO PLACE DECIMAL ±0.03"	Q.A.	
THREE PLACE DECIMAL ±0.010"	COMMENTS:	
INTERPRET GEOMETRIC TOLERANCING PER:		
MATERIAL		
ABS		
FINISH		
GRAY / SMOOTH		
DO NOT SCALE DRAWING		

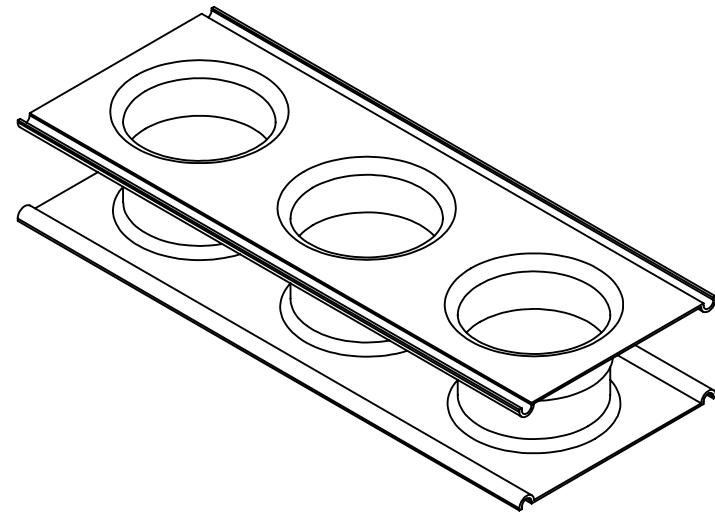
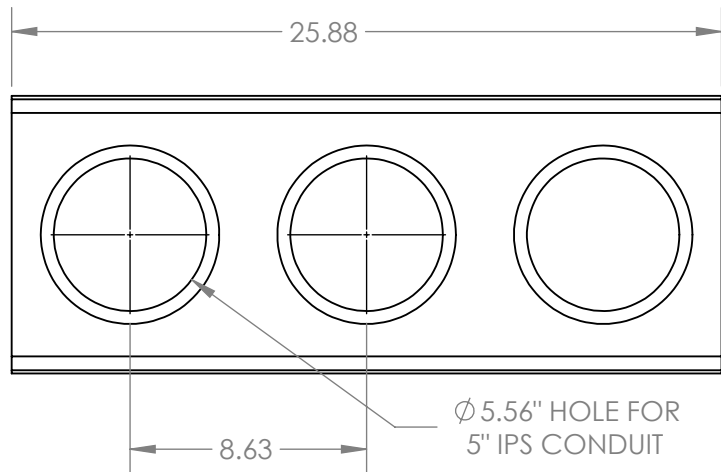
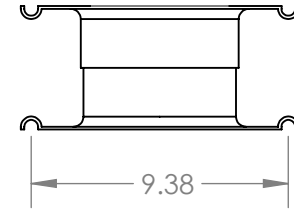
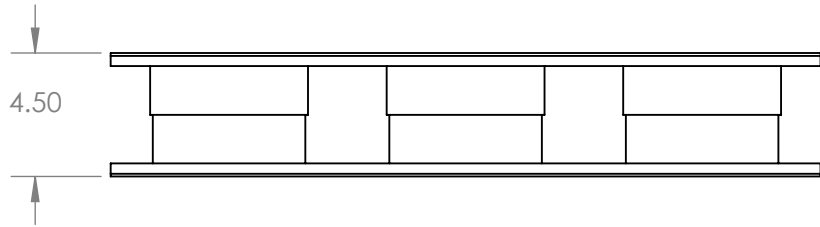
**Formex**<sup>®</sup>  
 manufacturing, inc.

TITLE:  
**TERMINATOR**

SIZE	DWG. NO.	REV
<b>A</b>	FX-3753-A	<b>A</b>

SCALE: 1:7 SHEET 266 OF 314

# T5A3-3030-4 1/2SW



**PROPRIETARY AND CONFIDENTIAL**  
 THE INFORMATION CONTAINED IN THIS DRAWING IS THE SOLE PROPERTY OF FORMEX MANUFACTURING. ANY REPRODUCTION IN PART OR AS A WHOLE WITHOUT THE WRITTEN PERMISSION OF FORMEX MANUFACTURING IS PROHIBITED.

UNLESS OTHERWISE SPECIFIED:	NAME	DATE
DIMENSIONS ARE IN INCHES	DRAWN	HKF 6/28/2024
TOLERANCES:	CHECKED	
FRACTIONAL ±1/32"	ENG APPR.	
ANGULAR: ±2°	MFG APPR.	
TWO PLACE DECIMAL ±0.03"	Q.A.	
THREE PLACE DECIMAL ±0.010"	COMMENTS:	
INTERPRET GEOMETRIC TOLERANCING PER:		
MATERIAL		
ABS		
FINISH		
GRAY / SMOOTH		
DO NOT SCALE DRAWING		

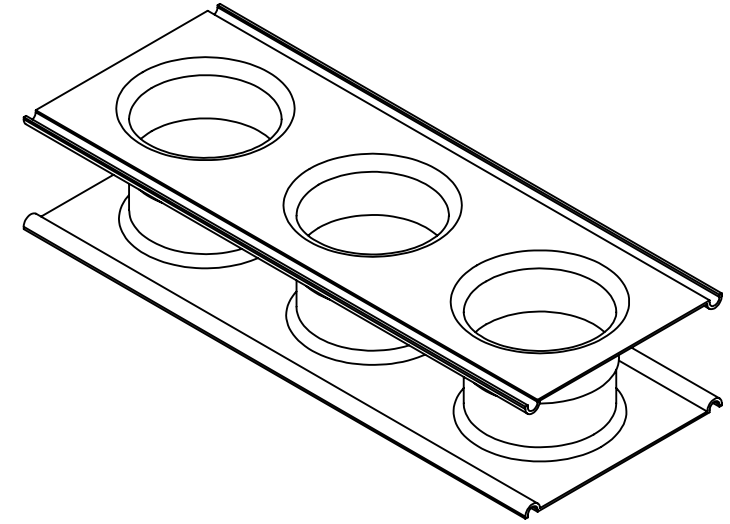
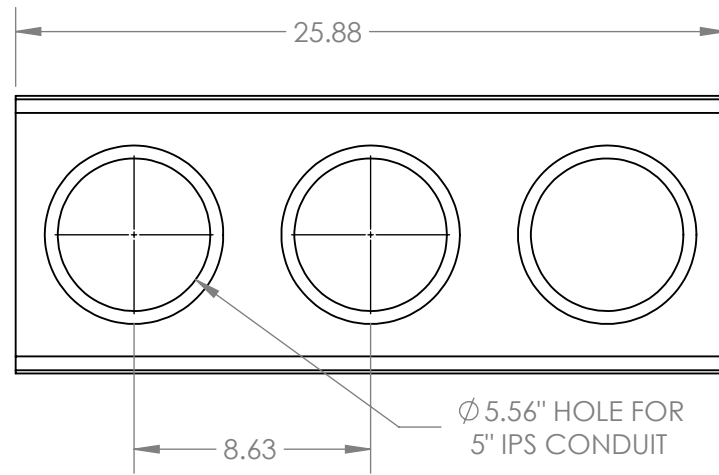
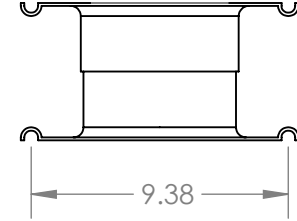
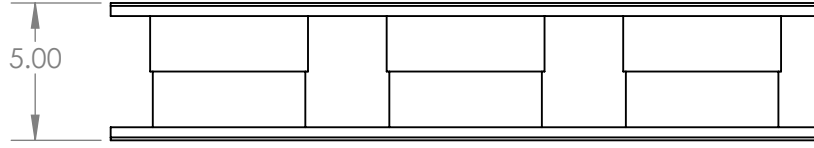
**Formex**<sup>®</sup>  
 manufacturing, inc.

TITLE:  
**TERMINATOR**

SIZE	DWG. NO.	REV
<b>A</b>	FX-3753-A	<b>A</b>

SCALE: 1:7 SHEET 267 OF 314

# T5A3-3030-5SW



**PROPRIETARY AND CONFIDENTIAL**  
 THE INFORMATION CONTAINED IN THIS DRAWING IS THE SOLE PROPERTY OF FORMEX MANUFACTURING. ANY REPRODUCTION IN PART OR AS A WHOLE WITHOUT THE WRITTEN PERMISSION OF FORMEX MANUFACTURING IS PROHIBITED.

UNLESS OTHERWISE SPECIFIED:	NAME	DATE
DIMENSIONS ARE IN INCHES	DRAWN	HKF 6/28/2024
TOLERANCES:	CHECKED	
FRACTIONAL ±1/32"	ENG APPR.	
ANGULAR: ±2°	MFG APPR.	
TWO PLACE DECIMAL ±0.03"	Q.A.	
THREE PLACE DECIMAL ±0.010"	COMMENTS:	
INTERPRET GEOMETRIC TOLERANCING PER:		
MATERIAL		
ABS		
FINISH		
GRAY / SMOOTH		
DO NOT SCALE DRAWING		

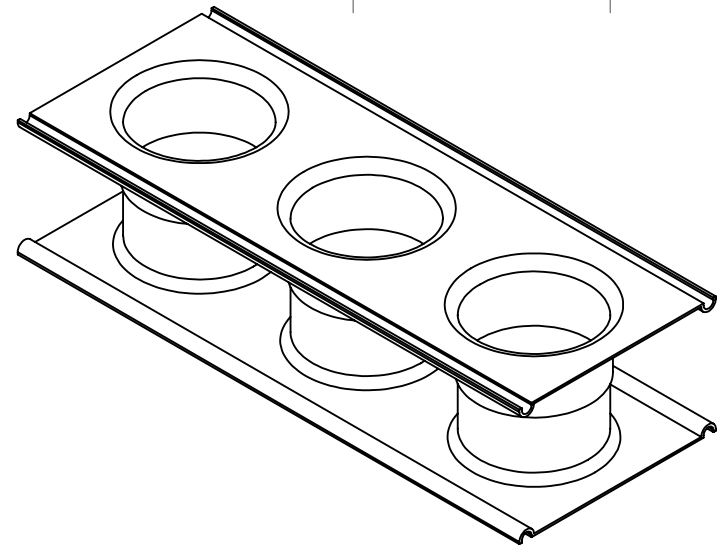
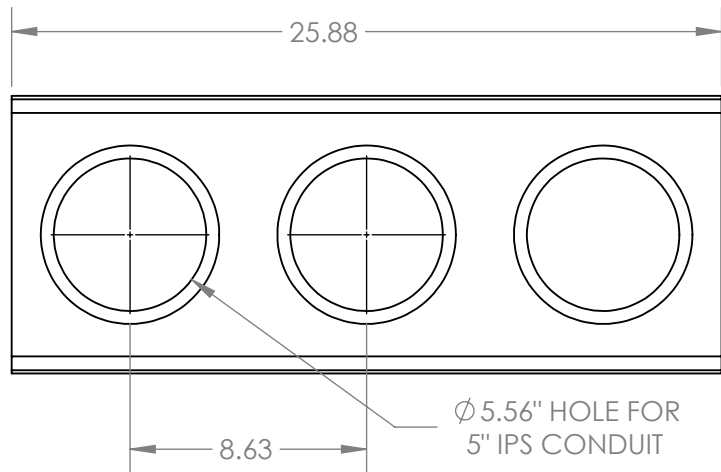
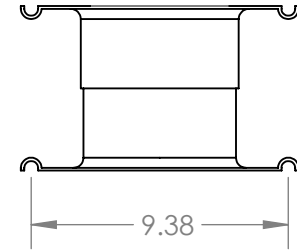
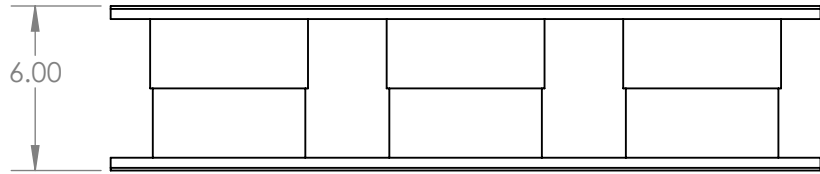
**Formex**<sup>®</sup>  
 manufacturing, inc.

TITLE:  
**TERMINATOR**

SIZE	DWG. NO.	REV
<b>A</b>	FX-3753-A	<b>A</b>

SCALE: 1:7 SHEET 268 OF 314

# T5A3-3030-6SW



**PROPRIETARY AND CONFIDENTIAL**  
 THE INFORMATION CONTAINED IN THIS DRAWING IS THE SOLE PROPERTY OF FORMEX MANUFACTURING. ANY REPRODUCTION IN PART OR AS A WHOLE WITHOUT THE WRITTEN PERMISSION OF FORMEX MANUFACTURING IS PROHIBITED.

UNLESS OTHERWISE SPECIFIED:	NAME	DATE
DIMENSIONS ARE IN INCHES	DRAWN	HKF 6/28/2024
TOLERANCES:	CHECKED	
FRACTIONAL ±1/32"	ENG APPR.	
ANGULAR: ±2°	MFG APPR.	
TWO PLACE DECIMAL ±0.03"	Q.A.	
THREE PLACE DECIMAL ±0.010"	COMMENTS:	
INTERPRET GEOMETRIC TOLERANCING PER:		
MATERIAL		
ABS		
FINISH		
GRAY / SMOOTH		
DO NOT SCALE DRAWING		

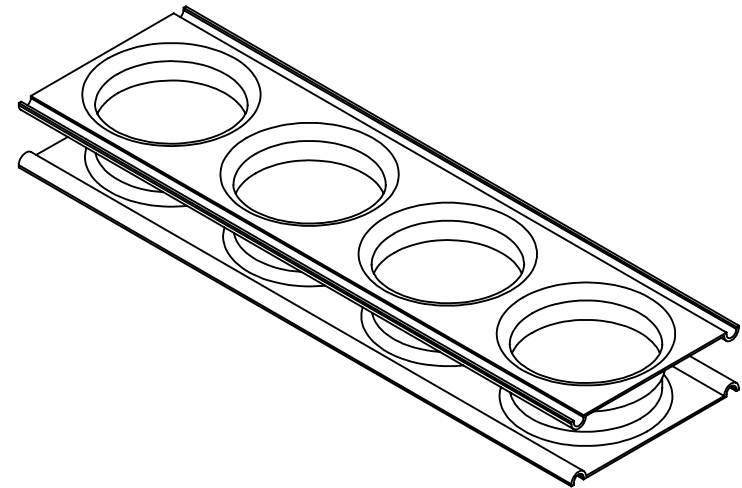
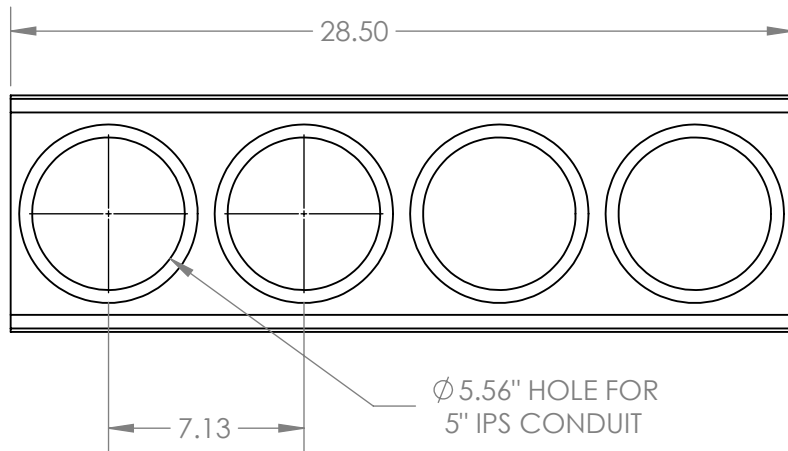
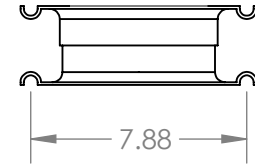
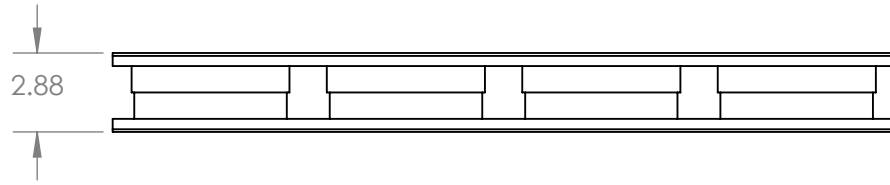
**Formex**<sup>®</sup>  
 manufacturing, inc.

TITLE:  
**TERMINATOR**

SIZE	DWG. NO.	REV
<b>A</b>	FX-3753-A	<b>A</b>

SCALE: 1:7 SHEET 269 OF 314

# T5A4-1515-2 7/8SW



**PROPRIETARY AND CONFIDENTIAL**  
 THE INFORMATION CONTAINED IN THIS DRAWING IS THE SOLE PROPERTY OF FORMEX MANUFACTURING. ANY REPRODUCTION IN PART OR AS A WHOLE WITHOUT THE WRITTEN PERMISSION OF FORMEX MANUFACTURING IS PROHIBITED.

UNLESS OTHERWISE SPECIFIED:		NAME	DATE
DIMENSIONS ARE IN INCHES	DRAWN	HKF	6/28/2024
TOLERANCES:	CHECKED		
FRACTIONAL $\pm 1/32"$	ENG APPR.		
ANGULAR: $\pm 2^\circ$	MFG APPR.		
TWO PLACE DECIMAL $\pm 0.03"$	Q.A.		
THREE PLACE DECIMAL $\pm 0.010"$	COMMENTS:		
INTERPRET GEOMETRIC TOLERANCING PER:			
MATERIAL			
ABS			
FINISH			
GRAY / SMOOTH			
DO NOT SCALE DRAWING			

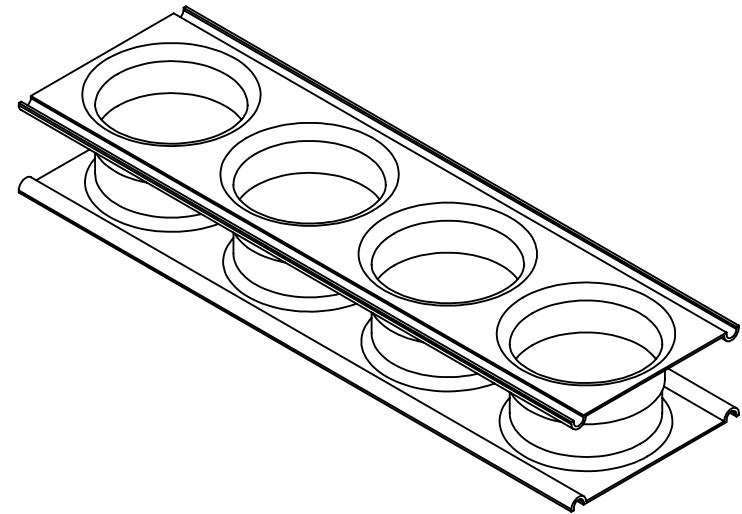
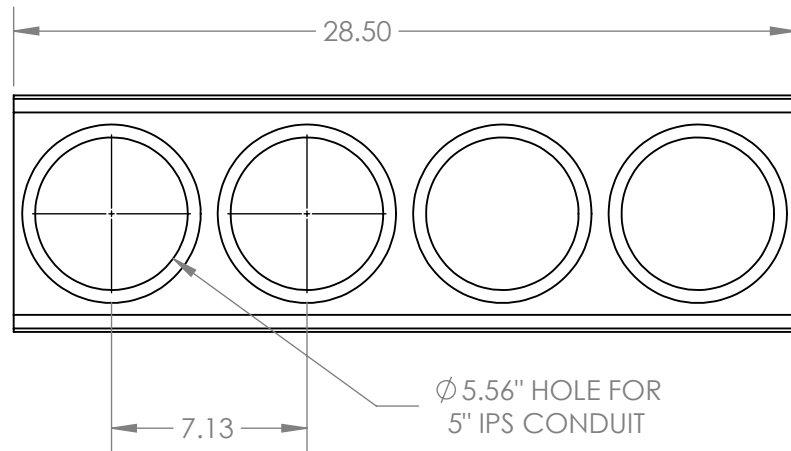
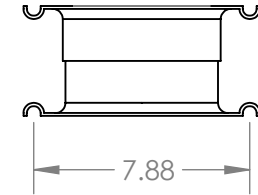
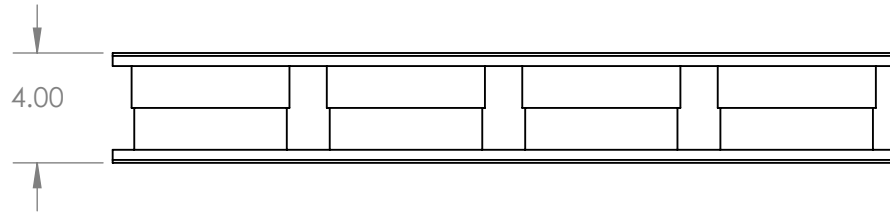
**Formex**<sup>®</sup>  
 manufacturing, inc.

TITLE:  
**TERMINATOR**

SIZE	DWG. NO.	REV
<b>A</b>	FX-3753-A	<b>A</b>

SCALE: 1:7 SHEET 270 OF 314

# T5A4-1515-4SW



**PROPRIETARY AND CONFIDENTIAL**  
 THE INFORMATION CONTAINED IN THIS DRAWING IS THE SOLE PROPERTY OF FORMEX MANUFACTURING. ANY REPRODUCTION IN PART OR AS A WHOLE WITHOUT THE WRITTEN PERMISSION OF FORMEX MANUFACTURING IS PROHIBITED.

UNLESS OTHERWISE SPECIFIED:	NAME	DATE
DIMENSIONS ARE IN INCHES	DRAWN	HKF 6/28/2024
TOLERANCES:	CHECKED	
FRACTIONAL ±1/32"	ENG APPR.	
ANGULAR: ±2°	MFG APPR.	
TWO PLACE DECIMAL ±0.03"	Q.A.	
THREE PLACE DECIMAL ±0.010"	COMMENTS:	
INTERPRET GEOMETRIC TOLERANCING PER:		
MATERIAL		
ABS		
FINISH		
GRAY / SMOOTH		
DO NOT SCALE DRAWING		

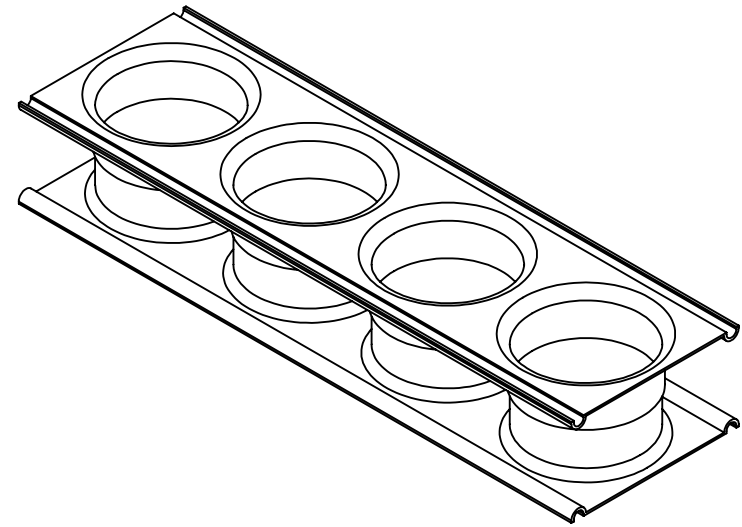
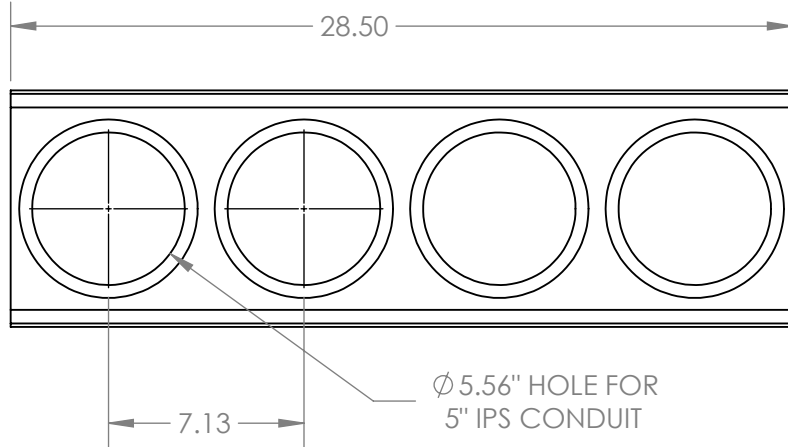
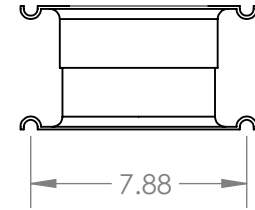
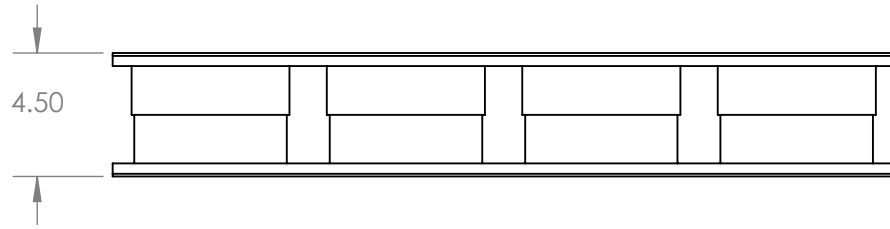
**Formex**<sup>®</sup>  
 manufacturing, inc.

TITLE:  
**TERMINATOR**

SIZE	DWG. NO.	REV
<b>A</b>	FX-3753-A	<b>A</b>

SCALE: 1:7 SHEET 271 OF 314

# T5A4-1515-4 1/2SW



**PROPRIETARY AND CONFIDENTIAL**  
 THE INFORMATION CONTAINED IN THIS DRAWING IS THE SOLE PROPERTY OF FORMEX MANUFACTURING. ANY REPRODUCTION IN PART OR AS A WHOLE WITHOUT THE WRITTEN PERMISSION OF FORMEX MANUFACTURING IS PROHIBITED.

UNLESS OTHERWISE SPECIFIED:		NAME	DATE
DIMENSIONS ARE IN INCHES	DRAWN	HKF	6/28/2024
TOLERANCES:	CHECKED		
FRACTIONAL ±1/32"	ENG APPR.		
ANGULAR: ±2°	MFG APPR.		
TWO PLACE DECIMAL ±0.03"	Q.A.		
THREE PLACE DECIMAL ±0.010"	COMMENTS:		
INTERPRET GEOMETRIC TOLERANCING PER:			
MATERIAL			
ABS			
FINISH			
GRAY / SMOOTH			
DO NOT SCALE DRAWING			

**Formex**<sup>®</sup>  
 manufacturing, inc.

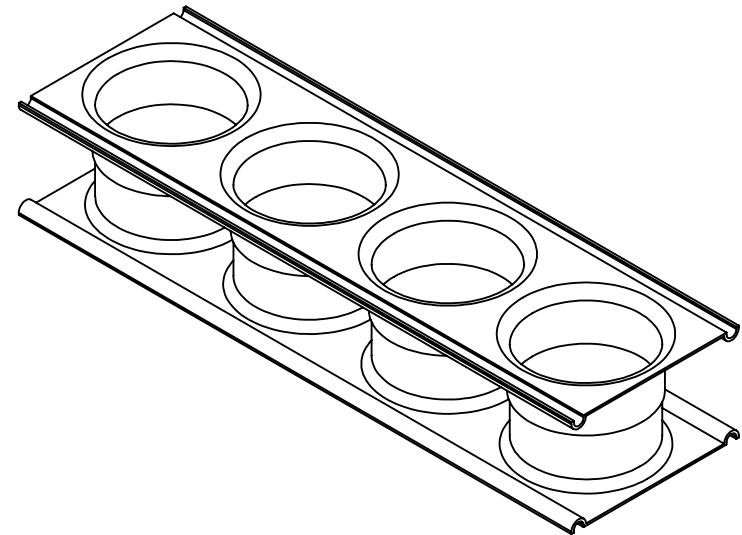
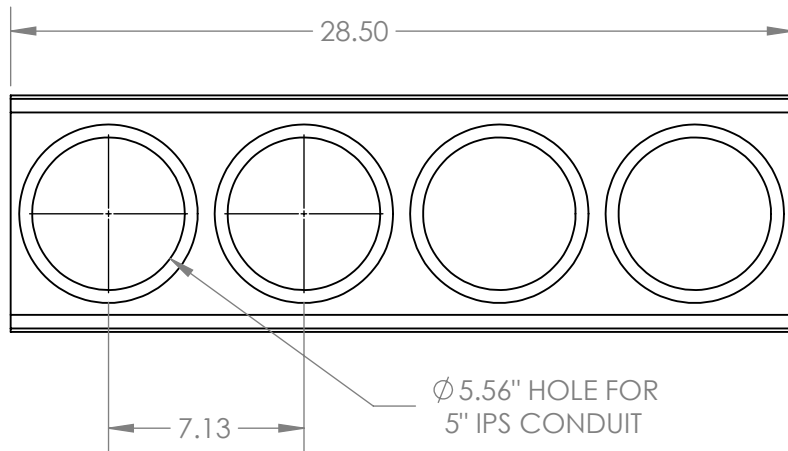
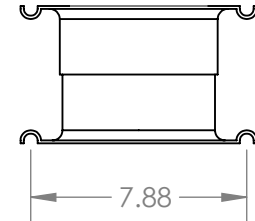
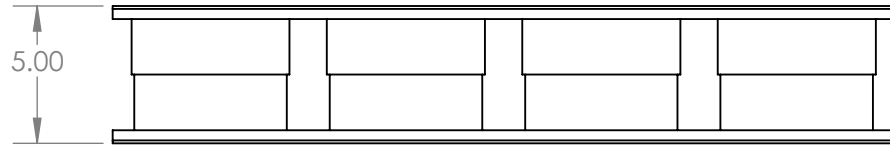
TITLE:  
**TERMINATOR**

SIZE <b>A</b>	DWG. NO. FX-3753-A	REV <b>A</b>
------------------	-----------------------	-----------------

SCALE: 1:7 SHEET 272 OF 314



# T5A4-1515-5SW



**PROPRIETARY AND CONFIDENTIAL**  
 THE INFORMATION CONTAINED IN THIS DRAWING IS THE SOLE PROPERTY OF FORMEX MANUFACTURING. ANY REPRODUCTION IN PART OR AS A WHOLE WITHOUT THE WRITTEN PERMISSION OF FORMEX MANUFACTURING IS PROHIBITED.

UNLESS OTHERWISE SPECIFIED:	NAME	DATE
DIMENSIONS ARE IN INCHES	DRAWN	HKF 6/28/2024
TOLERANCES:	CHECKED	
FRACTIONAL ±1/32"	ENG APPR.	
ANGULAR: ±2°	MFG APPR.	
TWO PLACE DECIMAL ±0.03"	Q.A.	
THREE PLACE DECIMAL ±0.010"	COMMENTS:	
INTERPRET GEOMETRIC TOLERANCING PER:		
MATERIAL		
ABS		
FINISH		
GRAY / SMOOTH		
DO NOT SCALE DRAWING		

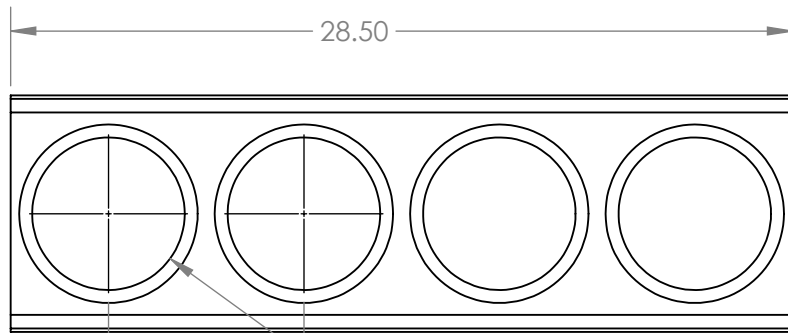
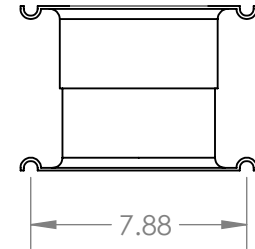
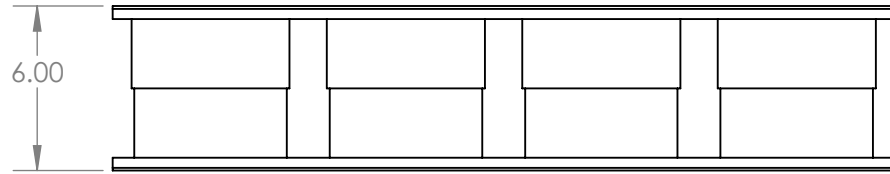
**Formex**<sup>®</sup>  
 manufacturing, inc.

TITLE:  
**TERMINATOR**

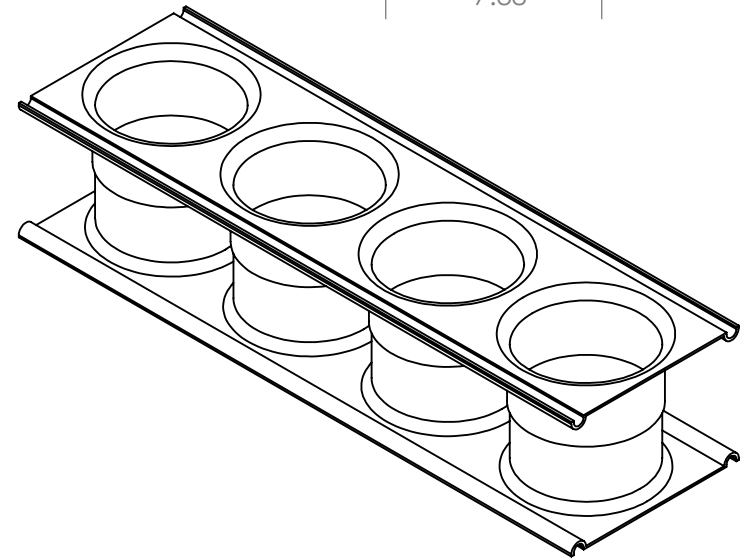
SIZE	DWG. NO.	REV
<b>A</b>	FX-3753-A	<b>A</b>

SCALE: 1:7 SHEET 273 OF 314

# T5A4-1515-6SW



7.13 —  $\text{Ø} 5.56''$  HOLE FOR 5" IPS CONDUIT



**PROPRIETARY AND CONFIDENTIAL**  
 THE INFORMATION CONTAINED IN THIS DRAWING IS THE SOLE PROPERTY OF FORMEX MANUFACTURING. ANY REPRODUCTION IN PART OR AS A WHOLE WITHOUT THE WRITTEN PERMISSION OF FORMEX MANUFACTURING IS PROHIBITED.

UNLESS OTHERWISE SPECIFIED:	NAME	DATE
DIMENSIONS ARE IN INCHES	DRAWN	HKF 6/28/2024
TOLERANCES:	CHECKED	
FRACTIONAL $\pm 1/32''$	ENG APPR.	
ANGULAR: $\pm 2^\circ$	MFG APPR.	
TWO PLACE DECIMAL $\pm 0.03''$	Q.A.	
THREE PLACE DECIMAL $\pm 0.010''$	COMMENTS:	
INTERPRET GEOMETRIC TOLERANCING PER:		
MATERIAL		
ABS		
FINISH		
GRAY / SMOOTH		
DO NOT SCALE DRAWING		

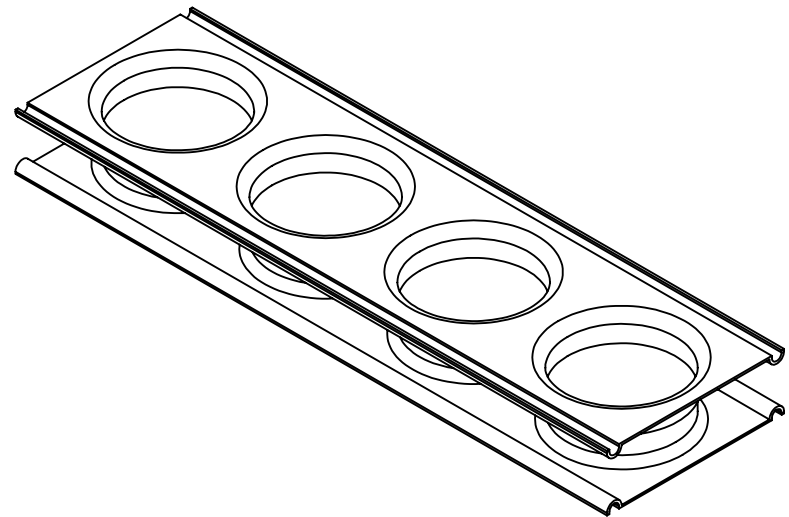
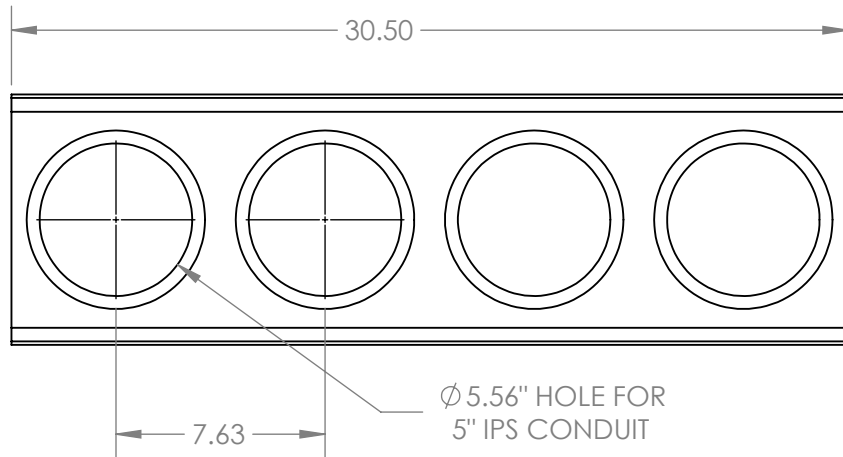
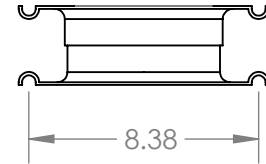
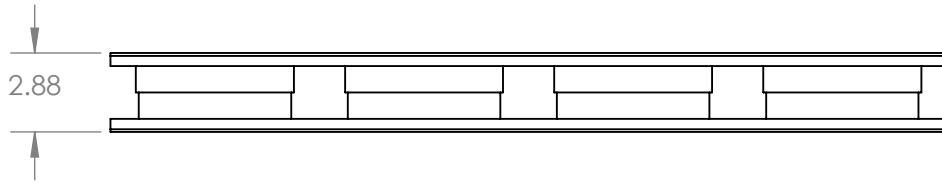
**Formex**<sup>®</sup>  
 manufacturing, inc.

TITLE:  
**TERMINATOR**

SIZE	DWG. NO.	REV
<b>A</b>	FX-3753-A	<b>A</b>

SCALE: 1:7 SHEET 274 OF 314

# T5A4-2020-2 7/8SW



**PROPRIETARY AND CONFIDENTIAL**  
 THE INFORMATION CONTAINED IN THIS DRAWING IS THE SOLE PROPERTY OF FORMEX MANUFACTURING. ANY REPRODUCTION IN PART OR AS A WHOLE WITHOUT THE WRITTEN PERMISSION OF FORMEX MANUFACTURING IS PROHIBITED.

UNLESS OTHERWISE SPECIFIED:		NAME	DATE
DIMENSIONS ARE IN INCHES	DRAWN	HKF	6/28/2024
TOLERANCES:	CHECKED		
FRACTIONAL $\pm 1/32"$	ENG APPR.		
ANGULAR: $\pm 2^\circ$	MFG APPR.		
TWO PLACE DECIMAL $\pm 0.03"$	Q.A.		
THREE PLACE DECIMAL $\pm 0.010"$	COMMENTS:		
INTERPRET GEOMETRIC TOLERANCING PER:			
MATERIAL			
ABS			
FINISH			
GRAY / SMOOTH			
DO NOT SCALE DRAWING			

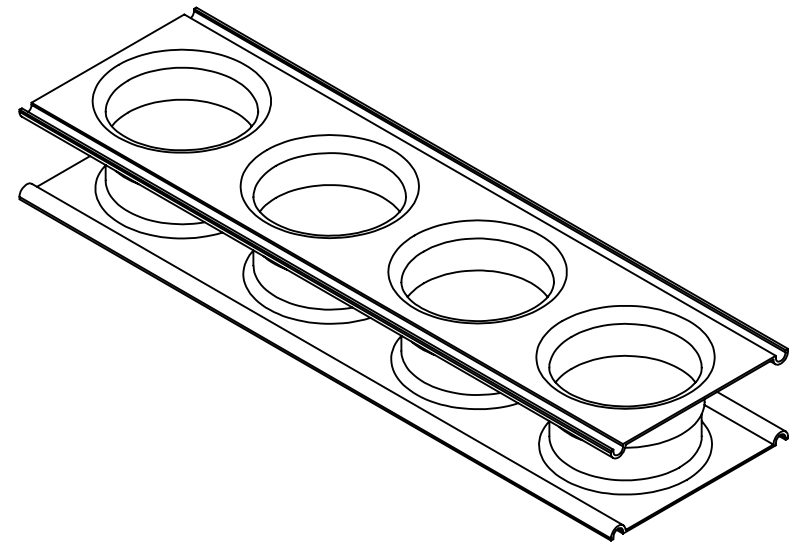
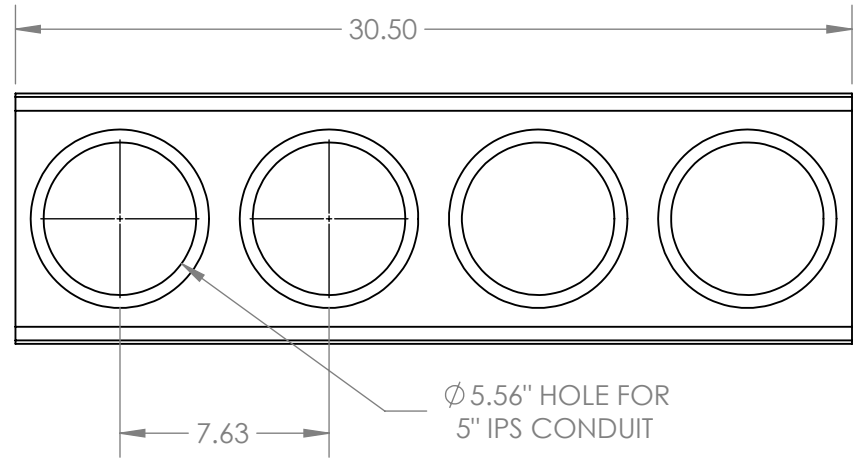
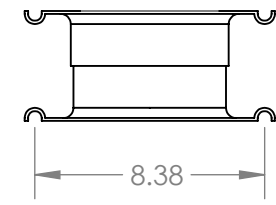
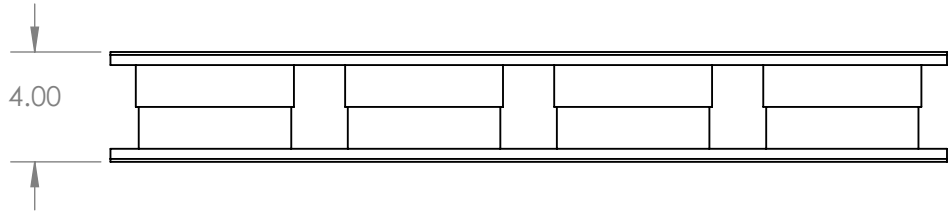
**Formex**<sup>®</sup>  
 manufacturing, inc.

TITLE:  
**TERMINATOR**

SIZE <b>A</b>	DWG. NO. FX-3753-A	REV <b>A</b>
------------------	-----------------------	-----------------

SCALE: 1:7 SHEET 275 OF 314

# T5A4-2020-4SW



**PROPRIETARY AND CONFIDENTIAL**  
 THE INFORMATION CONTAINED IN THIS DRAWING IS THE SOLE PROPERTY OF FORMEX MANUFACTURING. ANY REPRODUCTION IN PART OR AS A WHOLE WITHOUT THE WRITTEN PERMISSION OF FORMEX MANUFACTURING IS PROHIBITED.

UNLESS OTHERWISE SPECIFIED:	NAME	DATE
DIMENSIONS ARE IN INCHES	DRAWN	HKF 6/28/2024
TOLERANCES:	CHECKED	
FRACTIONAL ±1/32"	ENG APPR.	
ANGULAR: ±2°	MFG APPR.	
TWO PLACE DECIMAL ±0.03"	Q.A.	
THREE PLACE DECIMAL ±0.010"	COMMENTS:	
INTERPRET GEOMETRIC TOLERANCING PER:		
MATERIAL		
ABS		
FINISH		
GRAY / SMOOTH		
DO NOT SCALE DRAWING		

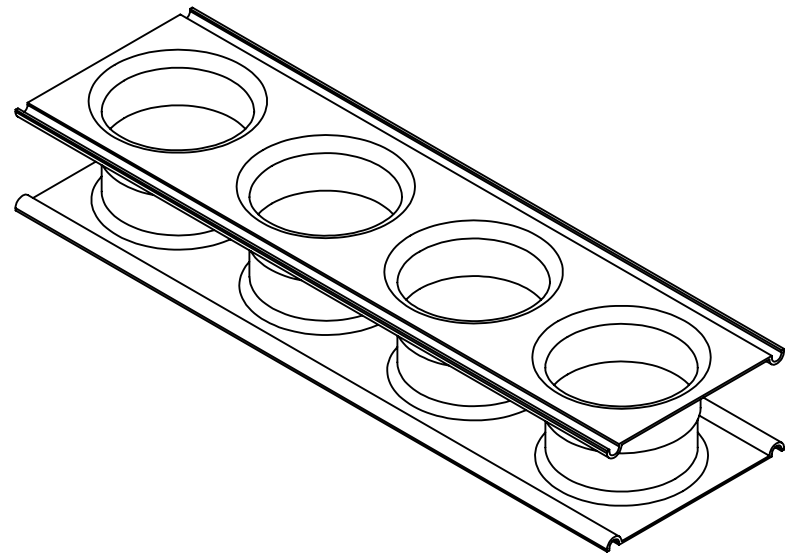
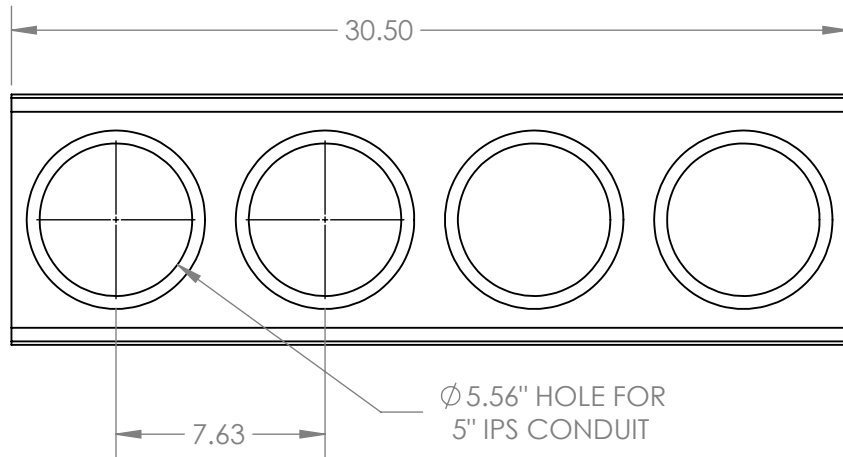
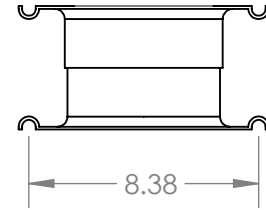
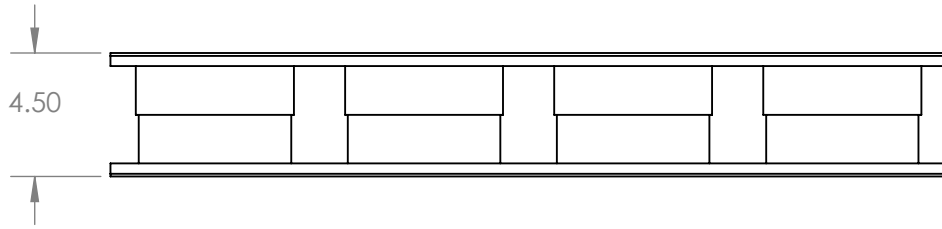
**Formex**<sup>®</sup>  
 manufacturing, inc.

TITLE:  
**TERMINATOR**

SIZE	DWG. NO.	REV
<b>A</b>	FX-3753-A	<b>A</b>

SCALE: 1:7 SHEET 276 OF 314

# T5A4-2020-4 1/2SW



**PROPRIETARY AND CONFIDENTIAL**  
 THE INFORMATION CONTAINED IN THIS DRAWING IS THE SOLE PROPERTY OF FORMEX MANUFACTURING. ANY REPRODUCTION IN PART OR AS A WHOLE WITHOUT THE WRITTEN PERMISSION OF FORMEX MANUFACTURING IS PROHIBITED.

UNLESS OTHERWISE SPECIFIED:		NAME	DATE
DIMENSIONS ARE IN INCHES	DRAWN	HKF	6/28/2024
TOLERANCES:	CHECKED		
FRACTIONAL $\pm 1/32"$	ENG APPR.		
ANGULAR: $\pm 2^\circ$	MFG APPR.		
TWO PLACE DECIMAL $\pm 0.03"$	Q.A.		
THREE PLACE DECIMAL $\pm 0.010"$	COMMENTS:		
INTERPRET GEOMETRIC TOLERANCING PER:			
MATERIAL			
ABS			
FINISH			
GRAY / SMOOTH			
DO NOT SCALE DRAWING			

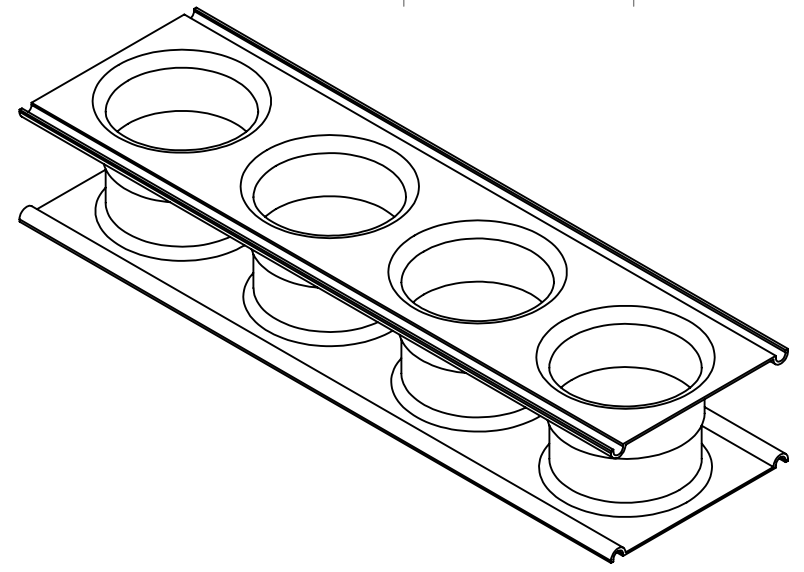
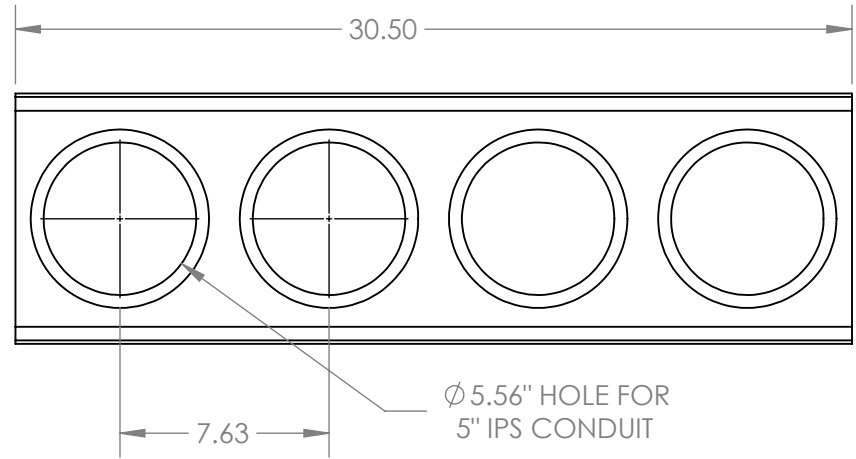
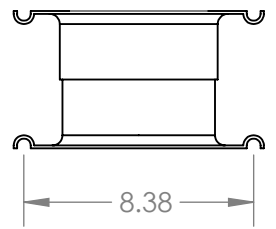
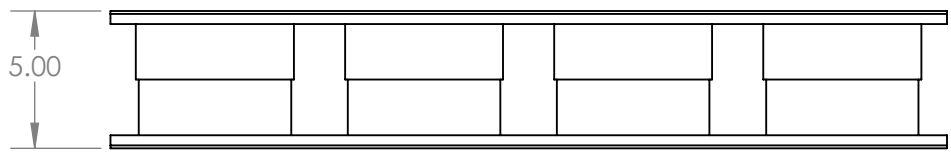
**Formex**<sup>®</sup>  
 manufacturing, inc.

TITLE:  
**TERMINATOR**

SIZE	DWG. NO.	REV
<b>A</b>	FX-3753-A	<b>A</b>

SCALE: 1:7 SHEET 277 OF 314

# T5A4-2020-5SW



**PROPRIETARY AND CONFIDENTIAL**  
 THE INFORMATION CONTAINED IN THIS DRAWING IS THE SOLE PROPERTY OF FORMEX MANUFACTURING. ANY REPRODUCTION IN PART OR AS A WHOLE WITHOUT THE WRITTEN PERMISSION OF FORMEX MANUFACTURING IS PROHIBITED.

UNLESS OTHERWISE SPECIFIED:	NAME	DATE
DIMENSIONS ARE IN INCHES	DRAWN	HKF 6/28/2024
TOLERANCES:	CHECKED	
FRACTIONAL ±1/32"	ENG APPR.	
ANGULAR: ±2°	MFG APPR.	
TWO PLACE DECIMAL ±0.03"	Q.A.	
THREE PLACE DECIMAL ±0.010"	COMMENTS:	
INTERPRET GEOMETRIC TOLERANCING PER:		
MATERIAL		
ABS		
FINISH		
GRAY / SMOOTH		
DO NOT SCALE DRAWING		

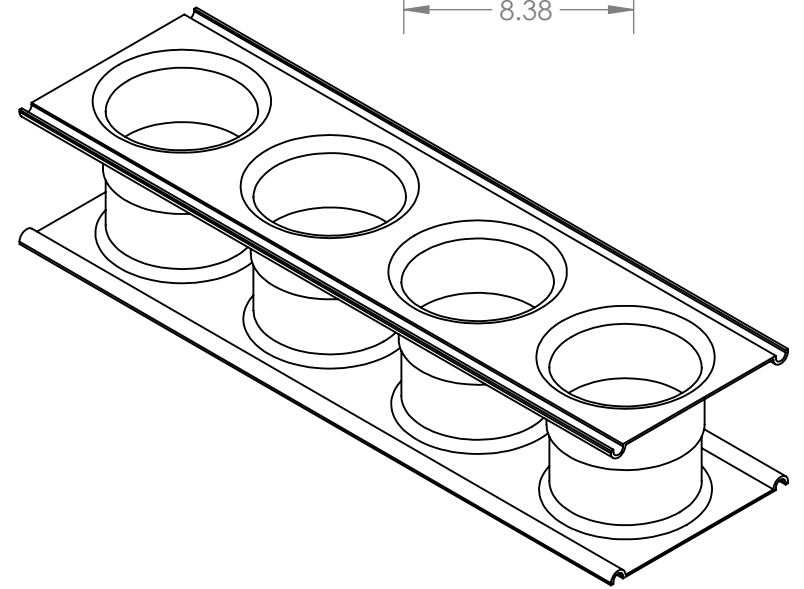
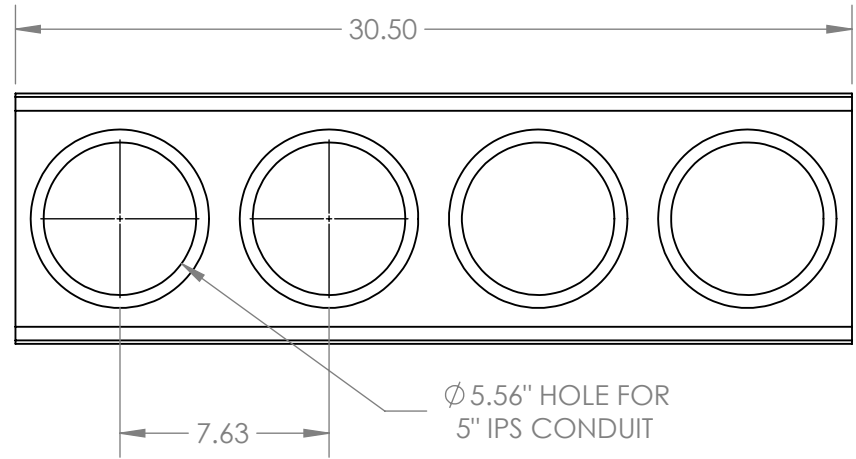
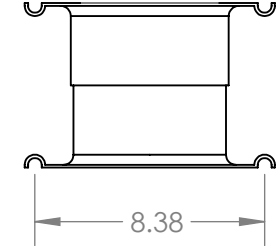
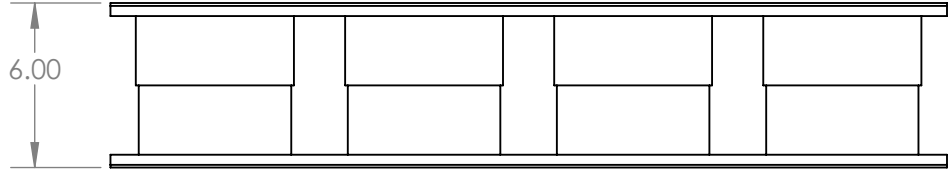
**Formex**<sup>®</sup>  
 manufacturing, inc.

TITLE:  
**TERMINATOR**

SIZE	DWG. NO.	REV
<b>A</b>	FX-3753-A	<b>A</b>

SCALE: 1:7 SHEET 278 OF 314

# T5A4-2020-6SW



**PROPRIETARY AND CONFIDENTIAL**  
 THE INFORMATION CONTAINED IN THIS DRAWING IS THE SOLE PROPERTY OF FORMEX MANUFACTURING. ANY REPRODUCTION IN PART OR AS A WHOLE WITHOUT THE WRITTEN PERMISSION OF FORMEX MANUFACTURING IS PROHIBITED.

UNLESS OTHERWISE SPECIFIED:	NAME	DATE
DIMENSIONS ARE IN INCHES	DRAWN	HKF 6/28/2024
TOLERANCES:	CHECKED	
FRACTIONAL ±1/32"	ENG APPR.	
ANGULAR: ±2°	MFG APPR.	
TWO PLACE DECIMAL ±0.03"	Q.A.	
THREE PLACE DECIMAL ±0.010"	COMMENTS:	
INTERPRET GEOMETRIC TOLERANCING PER:		
MATERIAL		
ABS		
FINISH		
GRAY / SMOOTH		
DO NOT SCALE DRAWING		

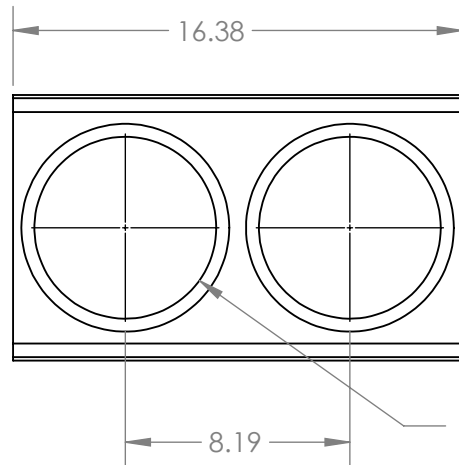
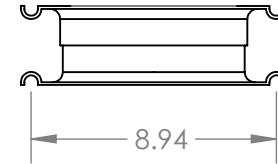
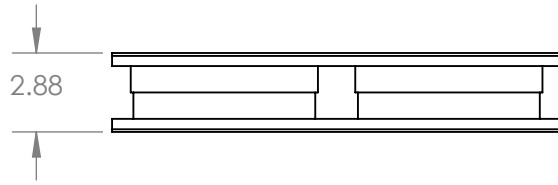
**Formex**<sup>®</sup>  
 manufacturing, inc.

TITLE:  
**TERMINATOR**

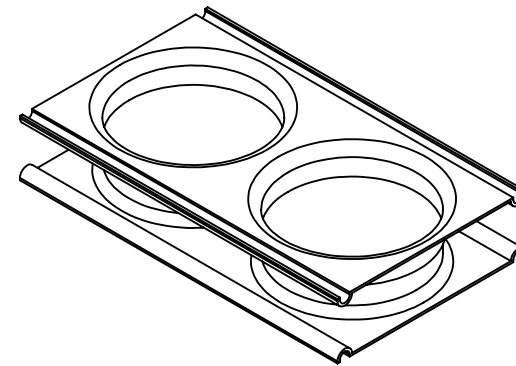
SIZE	DWG. NO.	REV
<b>A</b>	FX-3753-A	<b>A</b>

SCALE: 1:7 SHEET 279 OF 314

# T6A2-1515-2 7/8SW



Ø 6.63" HOLE FOR  
6" IPS CONDUIT



**PROPRIETARY AND CONFIDENTIAL**  
THE INFORMATION CONTAINED IN THIS DRAWING IS THE SOLE PROPERTY OF FORMEX MANUFACTURING. ANY REPRODUCTION IN PART OR AS A WHOLE WITHOUT THE WRITTEN PERMISSION OF FORMEX MANUFACTURING IS PROHIBITED.

UNLESS OTHERWISE SPECIFIED:		NAME	DATE
DIMENSIONS ARE IN INCHES TOLERANCES: FRACTIONAL ±1/32" ANGULAR: ±2° TWO PLACE DECIMAL ±0.03" THREE PLACE DECIMAL ±0.010"	DRAWN	HKF	6/28/2024
	CHECKED		
	ENG APPR.		
	MFG APPR.		
INTERPRET GEOMETRIC TOLERANCING PER:	Q.A.		
MATERIAL ABS	COMMENTS:		
FINISH GRAY / SMOOTH			
DO NOT SCALE DRAWING			

**Formex**<sup>®</sup>  
manufacturing, inc.

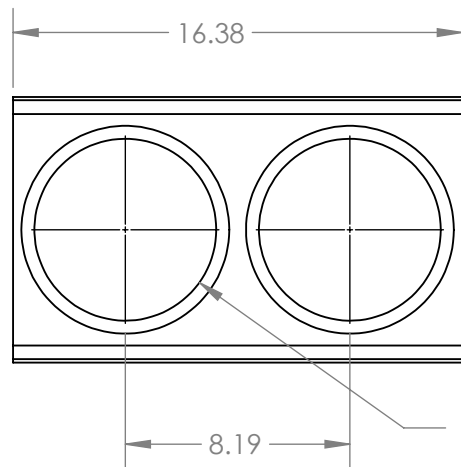
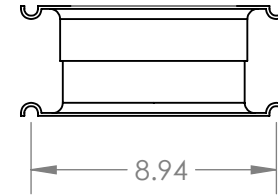
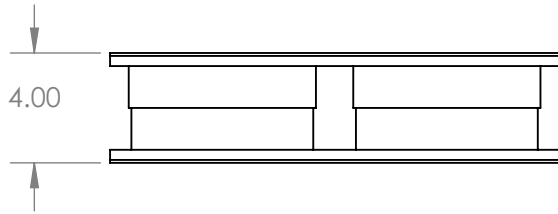
TITLE:  
**TERMINATOR**

SIZE <b>A</b>	DWG. NO. FX-3753-A	REV <b>A</b>
------------------	-----------------------	-----------------

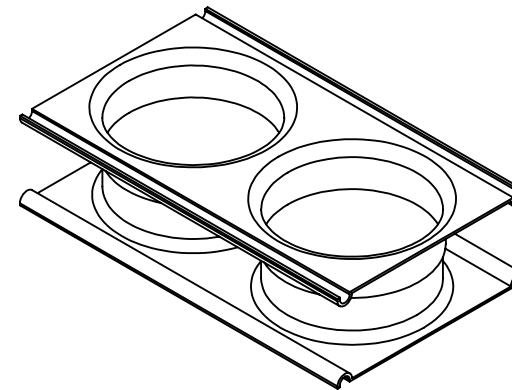
SCALE: 1:7 SHEET 280 OF 314



# T6A2-1515-4SW



Ø 6.63" HOLE FOR  
6" IPS CONDUIT



**PROPRIETARY AND CONFIDENTIAL**  
THE INFORMATION CONTAINED IN THIS DRAWING IS THE SOLE PROPERTY OF FORMEX MANUFACTURING. ANY REPRODUCTION IN PART OR AS A WHOLE WITHOUT THE WRITTEN PERMISSION OF FORMEX MANUFACTURING IS PROHIBITED.

UNLESS OTHERWISE SPECIFIED:		NAME	DATE
DIMENSIONS ARE IN INCHES TOLERANCES: FRACTIONAL ±1/32" ANGULAR: ±2° TWO PLACE DECIMAL ±0.03" THREE PLACE DECIMAL ±0.010"	DRAWN	HKF	6/28/2024
	CHECKED		
	ENG APPR.		
	MFG APPR.		
INTERPRET GEOMETRIC TOLERANCING PER:	Q.A.		
MATERIAL ABS	COMMENTS:		
FINISH GRAY / SMOOTH			
DO NOT SCALE DRAWING			

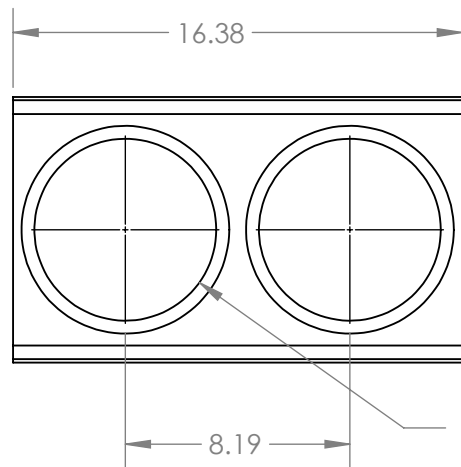
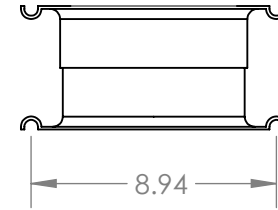
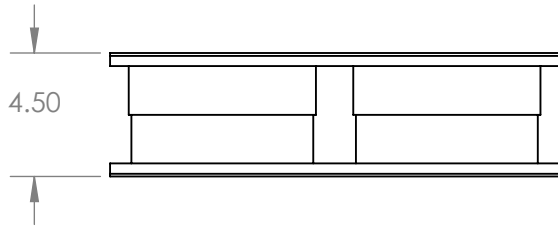
**Formex**<sup>®</sup>  
manufacturing, inc.

TITLE:  
**TERMINATOR**

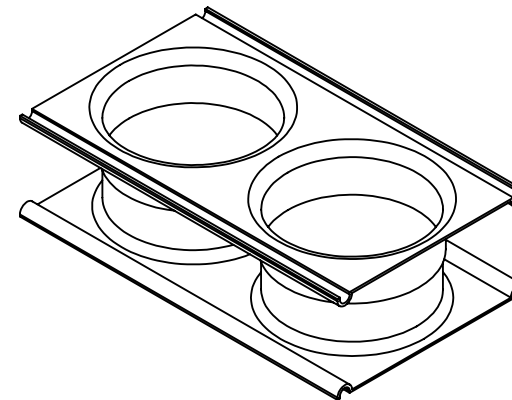
SIZE <b>A</b>	DWG. NO. FX-3753-A	REV <b>A</b>
------------------	-----------------------	-----------------

SCALE: 1:7 SHEET 281 OF 314

# T6A2-1515-4 1/2SW



Ø 6.63" HOLE FOR  
6" IPS CONDUIT



**PROPRIETARY AND CONFIDENTIAL**  
THE INFORMATION CONTAINED IN THIS DRAWING IS THE SOLE PROPERTY OF FORMEX MANUFACTURING. ANY REPRODUCTION IN PART OR AS A WHOLE WITHOUT THE WRITTEN PERMISSION OF FORMEX MANUFACTURING IS PROHIBITED.

UNLESS OTHERWISE SPECIFIED:		NAME	DATE
DIMENSIONS ARE IN INCHES TOLERANCES: FRACTIONAL ±1/32" ANGULAR: ±2° TWO PLACE DECIMAL ±0.03" THREE PLACE DECIMAL ±0.010"	DRAWN	HKF	6/28/2024
	CHECKED		
	ENG APPR.		
	MFG APPR.		
INTERPRET GEOMETRIC TOLERANCING PER:	Q.A.		
MATERIAL ABS	COMMENTS:		
FINISH GRAY / SMOOTH			
DO NOT SCALE DRAWING			

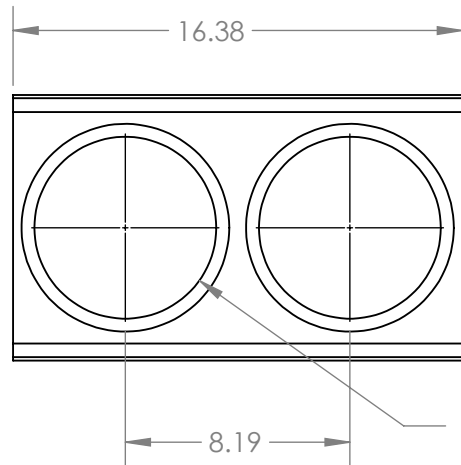
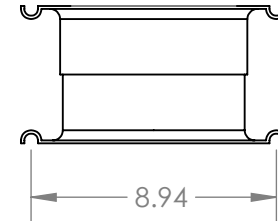
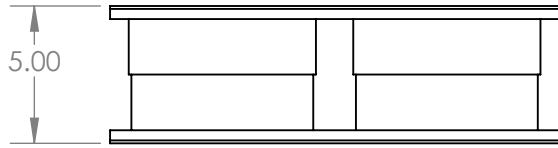
**Formex**<sup>®</sup>  
manufacturing, inc.

TITLE:  
**TERMINATOR**

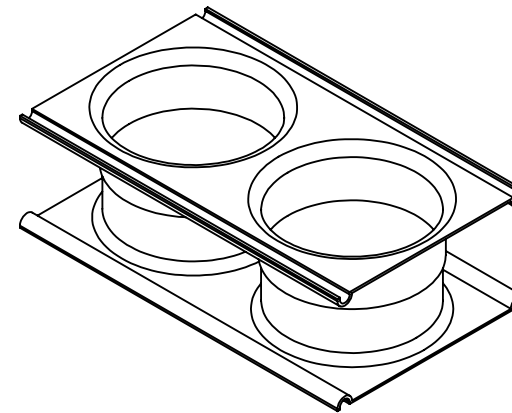
SIZE <b>A</b>	DWG. NO. FX-3753-A	REV <b>A</b>
------------------	-----------------------	-----------------

SCALE: 1:7 SHEET 282 OF 314

# T6A2-1515-5SW



Ø 6.63" HOLE FOR  
6" IPS CONDUIT



**PROPRIETARY AND CONFIDENTIAL**  
THE INFORMATION CONTAINED IN THIS DRAWING IS THE SOLE PROPERTY OF FORMEX MANUFACTURING. ANY REPRODUCTION IN PART OR AS A WHOLE WITHOUT THE WRITTEN PERMISSION OF FORMEX MANUFACTURING IS PROHIBITED.

UNLESS OTHERWISE SPECIFIED:		NAME	DATE
DIMENSIONS ARE IN INCHES TOLERANCES: FRACTIONAL ±1/32" ANGULAR: ±2° TWO PLACE DECIMAL ±0.03" THREE PLACE DECIMAL ±0.010"	DRAWN	HKF	6/28/2024
	CHECKED		
	ENG APPR.		
	MFG APPR.		
INTERPRET GEOMETRIC TOLERANCING PER:	Q.A.		
MATERIAL ABS	COMMENTS:		
FINISH GRAY / SMOOTH			
DO NOT SCALE DRAWING			

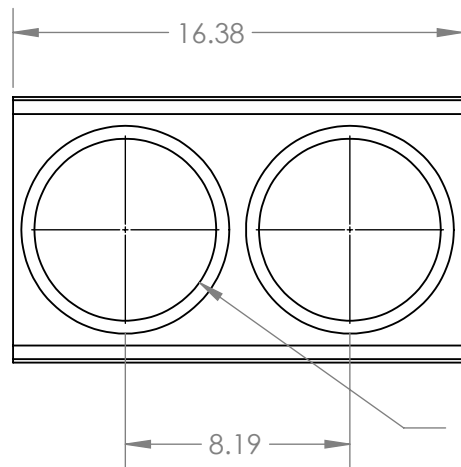
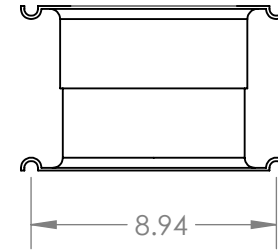
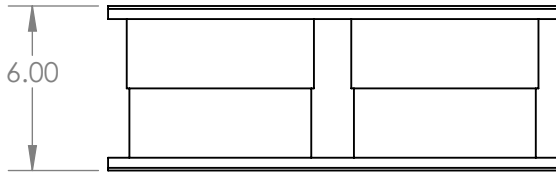
**Formex**<sup>®</sup>  
manufacturing, inc.

TITLE:  
**TERMINATOR**

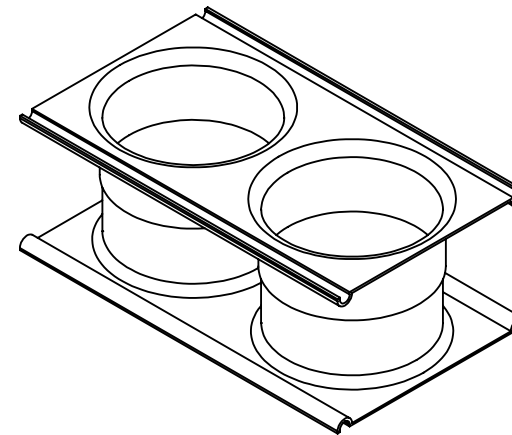
SIZE <b>A</b>	DWG. NO. FX-3753-A	REV <b>A</b>
------------------	-----------------------	-----------------

SCALE: 1:7 SHEET 283 OF 314

# T6A2-1515-6SW



Ø 6.63" HOLE FOR  
6" IPS CONDUIT



**PROPRIETARY AND CONFIDENTIAL**  
THE INFORMATION CONTAINED IN THIS DRAWING IS THE SOLE PROPERTY OF FORMEX MANUFACTURING. ANY REPRODUCTION IN PART OR AS A WHOLE WITHOUT THE WRITTEN PERMISSION OF FORMEX MANUFACTURING IS PROHIBITED.

UNLESS OTHERWISE SPECIFIED:		NAME	DATE
DIMENSIONS ARE IN INCHES	DRAWN	HKF	6/28/2024
TOLERANCES:	CHECKED		
FRACTIONAL ±1/32"	ENG APPR.		
ANGULAR: ±2°	MFG APPR.		
TWO PLACE DECIMAL ±0.03"	Q.A.		
THREE PLACE DECIMAL ±0.010"	COMMENTS:		
INTERPRET GEOMETRIC TOLERANCING PER:			
MATERIAL			
ABS			
FINISH			
GRAY / SMOOTH			
DO NOT SCALE DRAWING			

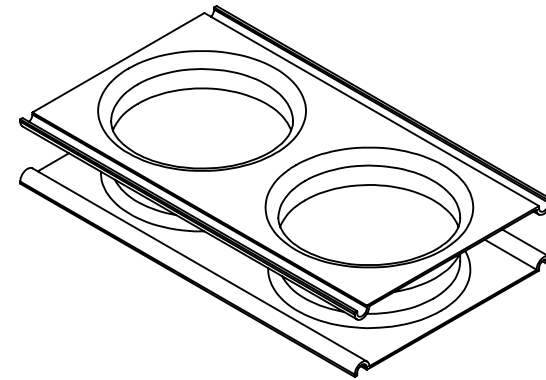
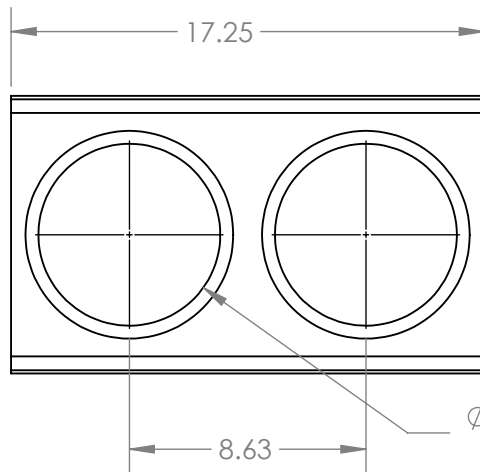
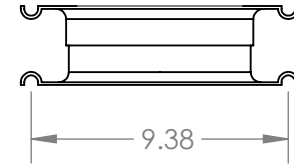
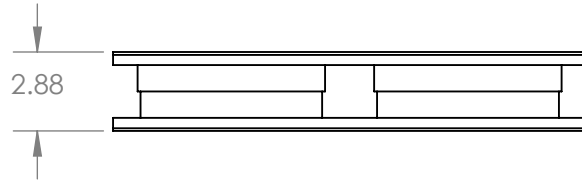
**Formex**<sup>®</sup>  
manufacturing, inc.

TITLE:  
**TERMINATOR**

SIZE <b>A</b>	DWG. NO. FX-3753-A	REV <b>A</b>
------------------	-----------------------	-----------------

SCALE: 1:7 SHEET 284 OF 314

# T6A2-2020-2 7/8SW



**PROPRIETARY AND CONFIDENTIAL**  
THE INFORMATION CONTAINED IN THIS DRAWING IS THE SOLE PROPERTY OF FORMEX MANUFACTURING. ANY REPRODUCTION IN PART OR AS A WHOLE WITHOUT THE WRITTEN PERMISSION OF FORMEX MANUFACTURING IS PROHIBITED.

UNLESS OTHERWISE SPECIFIED:		NAME	DATE
DIMENSIONS ARE IN INCHES TOLERANCES: FRACTIONAL ±1/32" ANGULAR: ±2° TWO PLACE DECIMAL ±0.03" THREE PLACE DECIMAL ±0.010"	DRAWN	HKF	6/28/2024
	CHECKED		
	ENG APPR.		
	MFG APPR.		
INTERPRET GEOMETRIC TOLERANCING PER:	Q.A.		
MATERIAL ABS	COMMENTS:		
FINISH GRAY / SMOOTH			
DO NOT SCALE DRAWING			

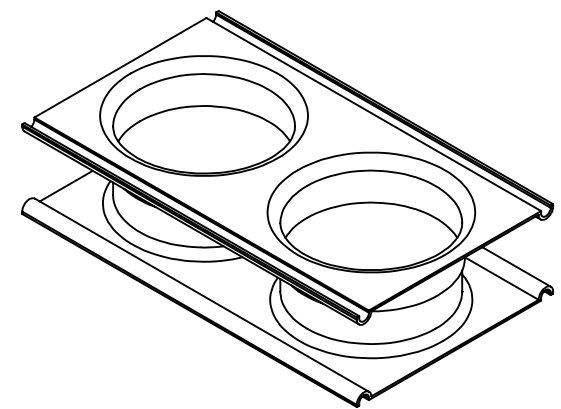
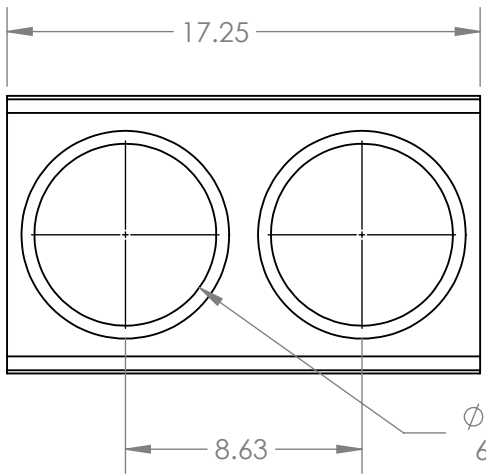
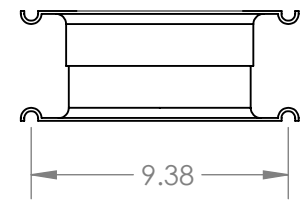
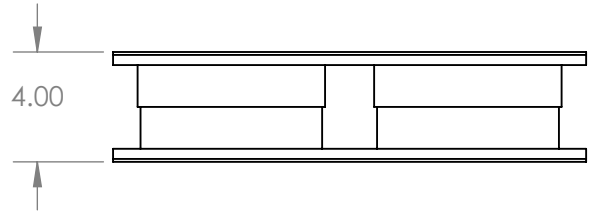
**Formex**<sup>®</sup>  
manufacturing, inc.

TITLE:  
**TERMINATOR**

SIZE <b>A</b>	DWG. NO. FX-3753-A	REV <b>A</b>
------------------	-----------------------	-----------------

SCALE: 1:7 SHEET 285 OF 314

# T6A2-2020-4SW



**PROPRIETARY AND CONFIDENTIAL**  
 THE INFORMATION CONTAINED IN THIS DRAWING IS THE SOLE PROPERTY OF FORMEX MANUFACTURING. ANY REPRODUCTION IN PART OR AS A WHOLE WITHOUT THE WRITTEN PERMISSION OF FORMEX MANUFACTURING IS PROHIBITED.

UNLESS OTHERWISE SPECIFIED:	NAME	DATE
DIMENSIONS ARE IN INCHES	DRAWN	HKF 6/28/2024
TOLERANCES:	CHECKED	
FRACTIONAL: ±1/32"	ENG APPR.	
ANGULAR: ±2°	MFG APPR.	
TWO PLACE DECIMAL ±0.03"	Q.A.	
THREE PLACE DECIMAL ±0.010"	COMMENTS:	
INTERPRET GEOMETRIC TOLERANCING PER:		
MATERIAL		
ABS		
FINISH		
GRAY / SMOOTH		
DO NOT SCALE DRAWING		

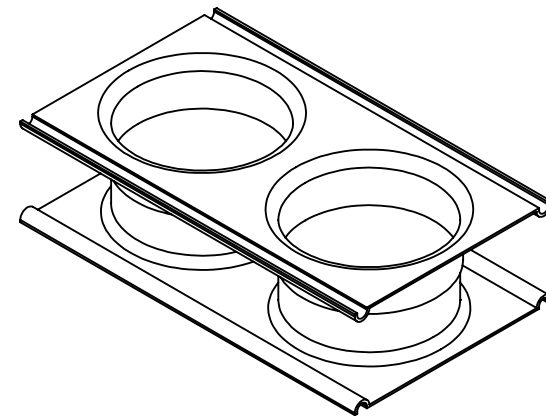
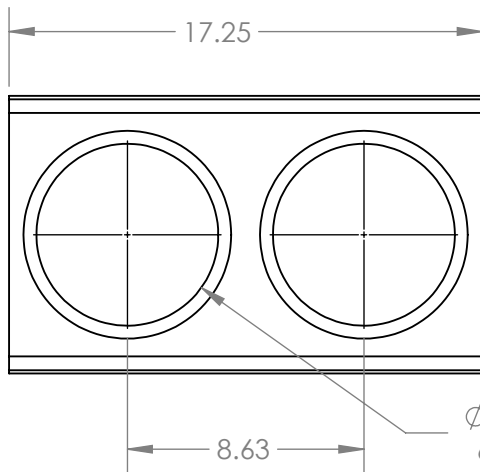
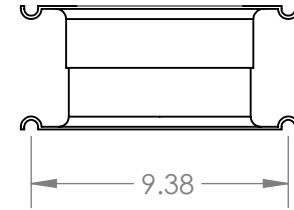
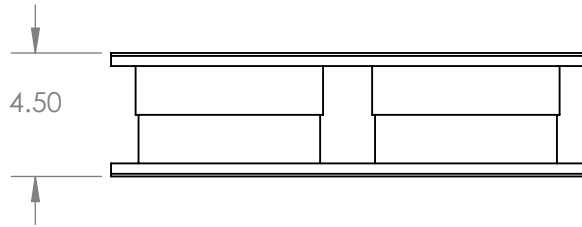
**Formex**<sup>®</sup>  
 manufacturing, inc.

TITLE:  
**TERMINATOR**

SIZE	DWG. NO.	REV
<b>A</b>	FX-3753-A	<b>A</b>

SCALE: 1:7 SHEET 286 OF 314

# T6A2-2020-4 1/2SW



Ø 6.63" HOLE FOR  
6" IPS CONDUIT

**PROPRIETARY AND CONFIDENTIAL**  
THE INFORMATION CONTAINED IN THIS DRAWING IS THE SOLE PROPERTY OF FORMEX MANUFACTURING. ANY REPRODUCTION IN PART OR AS A WHOLE WITHOUT THE WRITTEN PERMISSION OF FORMEX MANUFACTURING IS PROHIBITED.

UNLESS OTHERWISE SPECIFIED:		NAME	DATE
DIMENSIONS ARE IN INCHES TOLERANCES: FRACTIONAL ±1/32" ANGULAR: ±2° TWO PLACE DECIMAL ±0.03" THREE PLACE DECIMAL ±0.010"	DRAWN	HKF	6/28/2024
	CHECKED		
	ENG APPR.		
	MFG APPR.		
INTERPRET GEOMETRIC TOLERANCING PER:	Q.A.		
MATERIAL ABS	COMMENTS:		
FINISH GRAY / SMOOTH			
DO NOT SCALE DRAWING			

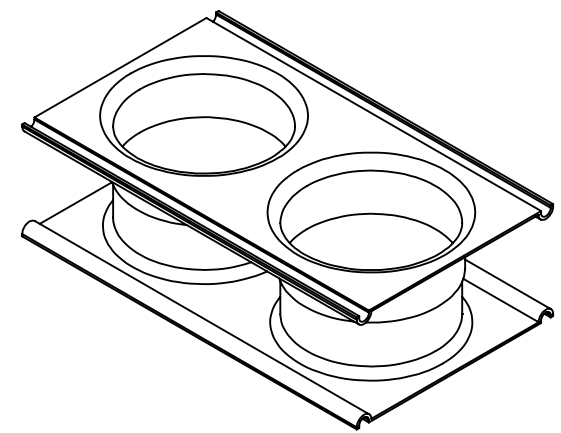
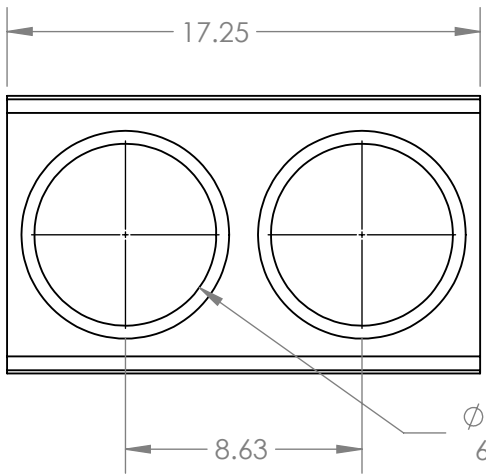
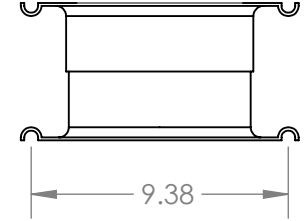
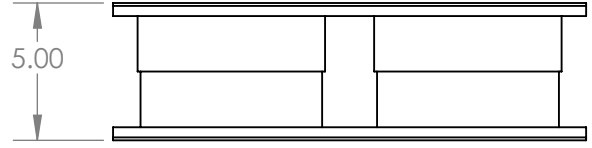
**Formex**<sup>®</sup>  
manufacturing, inc.

TITLE:  
**TERMINATOR**

SIZE <b>A</b>	DWG. NO. FX-3753-A	REV <b>A</b>
------------------	-----------------------	-----------------

SCALE: 1:7 SHEET 287 OF 314

# T6A2-2020-5SW



**PROPRIETARY AND CONFIDENTIAL**  
 THE INFORMATION CONTAINED IN THIS DRAWING IS THE SOLE PROPERTY OF FORMEX MANUFACTURING. ANY REPRODUCTION IN PART OR AS A WHOLE WITHOUT THE WRITTEN PERMISSION OF FORMEX MANUFACTURING IS PROHIBITED.

UNLESS OTHERWISE SPECIFIED:	NAME	DATE
DIMENSIONS ARE IN INCHES	DRAWN	HKF 6/28/2024
TOLERANCES:	CHECKED	
FRACTIONAL ±1/32"	ENG APPR.	
ANGULAR: ±2°	MFG APPR.	
TWO PLACE DECIMAL ±0.03"	Q.A.	
THREE PLACE DECIMAL ±0.010"	COMMENTS:	
INTERPRET GEOMETRIC TOLERANCING PER:		
MATERIAL		
ABS		
FINISH		
GRAY / SMOOTH		
DO NOT SCALE DRAWING		

**Formex**<sup>®</sup>  
 manufacturing, inc.

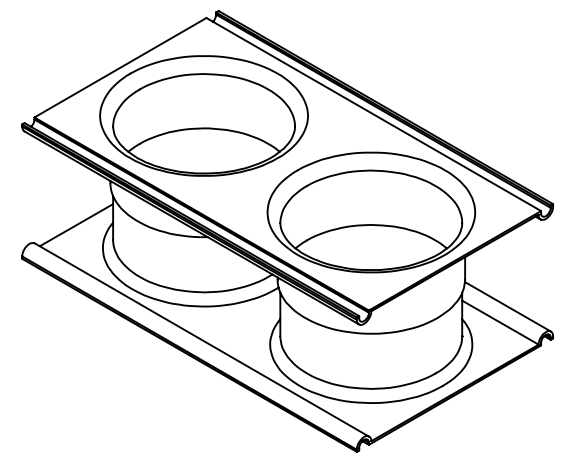
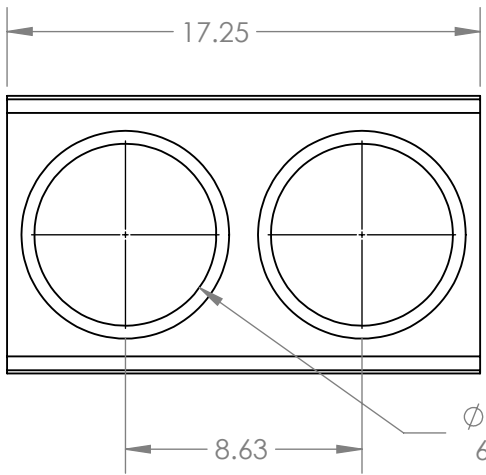
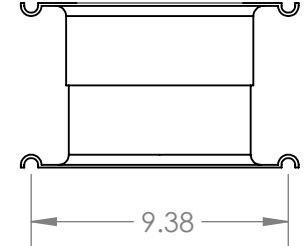
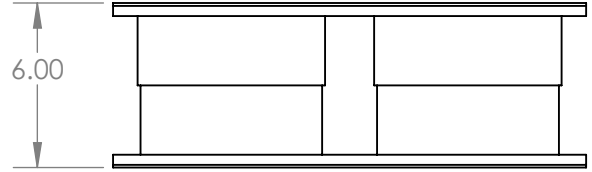
TITLE:  
**TERMINATOR**

SIZE	DWG. NO.	REV
<b>A</b>	FX-3753-A	<b>A</b>

SCALE: 1:7 SHEET 288 OF 314



# T6A2-2020-6SW



**PROPRIETARY AND CONFIDENTIAL**  
 THE INFORMATION CONTAINED IN THIS DRAWING IS THE SOLE PROPERTY OF FORMEX MANUFACTURING. ANY REPRODUCTION IN PART OR AS A WHOLE WITHOUT THE WRITTEN PERMISSION OF FORMEX MANUFACTURING IS PROHIBITED.

UNLESS OTHERWISE SPECIFIED:	NAME	DATE
DIMENSIONS ARE IN INCHES	DRAWN	HKF 6/28/2024
TOLERANCES:	CHECKED	
FRACTIONAL ±1/32"	ENG APPR.	
ANGULAR: ±2°	MFG APPR.	
TWO PLACE DECIMAL ±0.03"	Q.A.	
THREE PLACE DECIMAL ±0.010"	COMMENTS:	
INTERPRET GEOMETRIC TOLERANCING PER:		
MATERIAL		
ABS		
FINISH		
GRAY / SMOOTH		
DO NOT SCALE DRAWING		

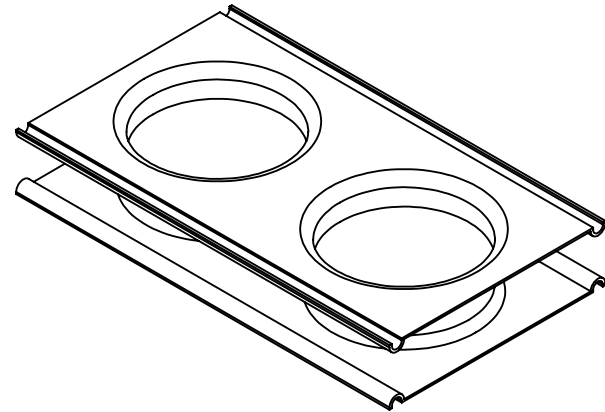
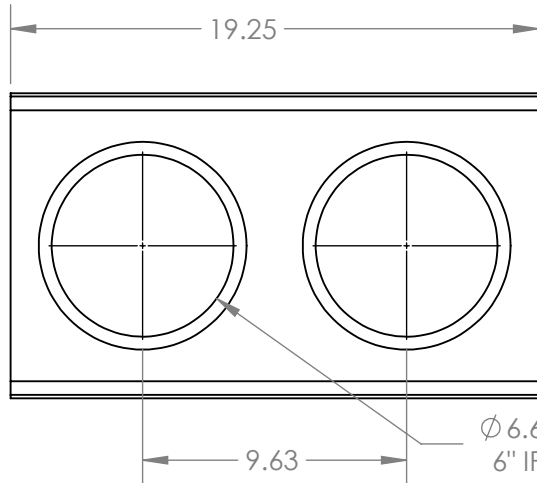
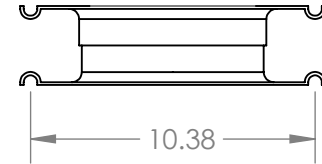
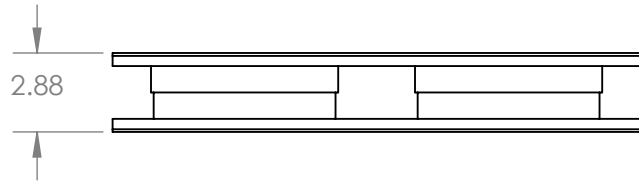
**Formex**<sup>®</sup>  
 manufacturing, inc.

TITLE:  
**TERMINATOR**

SIZE	DWG. NO.	REV
<b>A</b>	FX-3753-A	<b>A</b>

SCALE: 1:7 SHEET 289 OF 314

# T6A2-3030-2 7/8SW



**PROPRIETARY AND CONFIDENTIAL**  
THE INFORMATION CONTAINED IN THIS DRAWING IS THE SOLE PROPERTY OF FORMEX MANUFACTURING. ANY REPRODUCTION IN PART OR AS A WHOLE WITHOUT THE WRITTEN PERMISSION OF FORMEX MANUFACTURING IS PROHIBITED.

UNLESS OTHERWISE SPECIFIED:		NAME	DATE
DIMENSIONS ARE IN INCHES TOLERANCES: FRACTIONAL ±1/32" ANGULAR: ±2° TWO PLACE DECIMAL ±0.03" THREE PLACE DECIMAL ±0.010"	DRAWN	HKF	6/28/2024
	CHECKED		
	ENG APPR.		
	MFG APPR.		
INTERPRET GEOMETRIC TOLERANCING PER:	Q.A.		
MATERIAL ABS	COMMENTS:		
FINISH GRAY / SMOOTH			
DO NOT SCALE DRAWING			

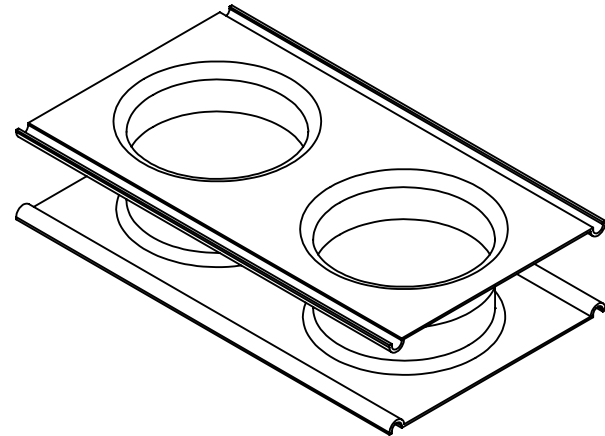
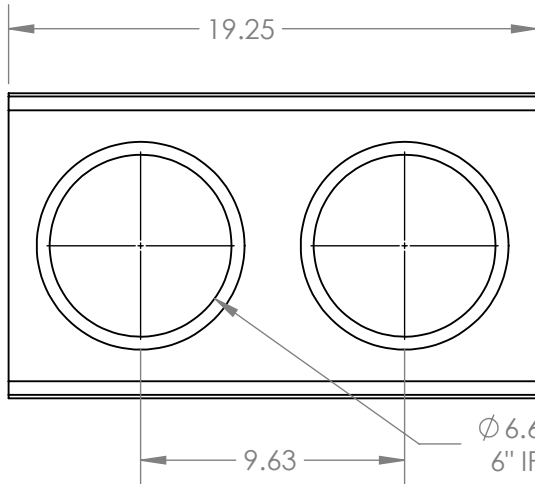
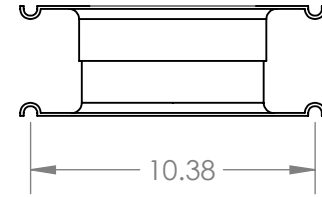
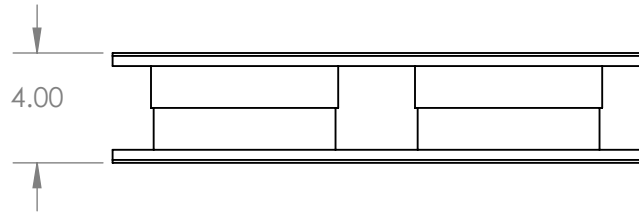
**Formex**<sup>®</sup>  
manufacturing, inc.

TITLE:  
**TERMINATOR**

SIZE <b>A</b>	DWG. NO. FX-3753-A	REV <b>A</b>
------------------	-----------------------	-----------------

SCALE: 1:7 SHEET 290 OF 314

# T6A2-3030-4SW



**PROPRIETARY AND CONFIDENTIAL**  
THE INFORMATION CONTAINED IN THIS DRAWING IS THE SOLE PROPERTY OF FORMEX MANUFACTURING. ANY REPRODUCTION IN PART OR AS A WHOLE WITHOUT THE WRITTEN PERMISSION OF FORMEX MANUFACTURING IS PROHIBITED.

UNLESS OTHERWISE SPECIFIED:		NAME	DATE
DIMENSIONS ARE IN INCHES TOLERANCES: FRACTIONAL ±1/32" ANGULAR: ±2° TWO PLACE DECIMAL ±0.03" THREE PLACE DECIMAL ±0.010"	DRAWN	HKF	6/28/2024
	CHECKED		
	ENG APPR.		
	MFG APPR.		
INTERPRET GEOMETRIC TOLERANCING PER:	Q.A.		
MATERIAL ABS	COMMENTS:		
FINISH GRAY / SMOOTH			
DO NOT SCALE DRAWING			

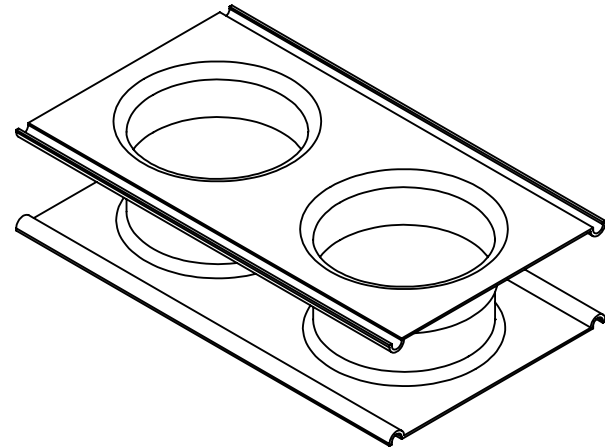
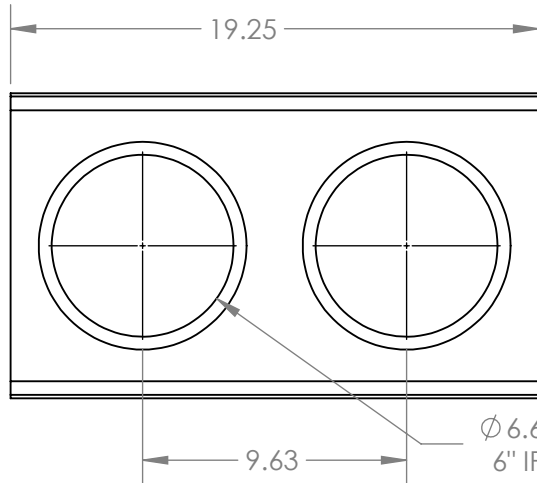
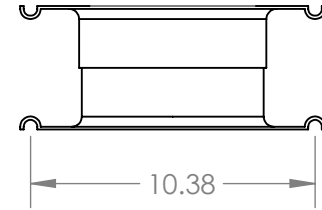
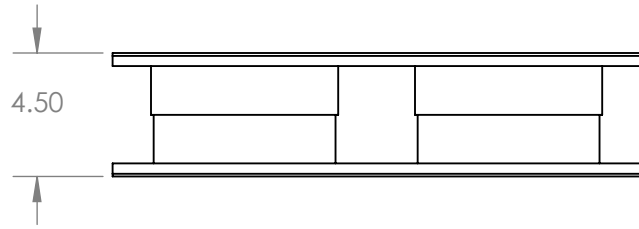
**Formex**<sup>®</sup>  
manufacturing, inc.

TITLE:  
**TERMINATOR**

SIZE <b>A</b>	DWG. NO. FX-3753-A	REV <b>A</b>
------------------	-----------------------	-----------------

SCALE: 1:7 SHEET 291 OF 314

# T6A2-3030-4 1/2SW



**PROPRIETARY AND CONFIDENTIAL**  
THE INFORMATION CONTAINED IN THIS DRAWING IS THE SOLE PROPERTY OF FORMEX MANUFACTURING. ANY REPRODUCTION IN PART OR AS A WHOLE WITHOUT THE WRITTEN PERMISSION OF FORMEX MANUFACTURING IS PROHIBITED.

UNLESS OTHERWISE SPECIFIED:		NAME	DATE
DIMENSIONS ARE IN INCHES TOLERANCES: FRACTIONAL ±1/32" ANGULAR: ±2° TWO PLACE DECIMAL ±0.03" THREE PLACE DECIMAL ±0.010"	DRAWN	HKF	6/28/2024
	CHECKED		
	ENG APPR.		
	MFG APPR.		
INTERPRET GEOMETRIC TOLERANCING PER:	Q.A.		
MATERIAL ABS	COMMENTS:		
FINISH GRAY / SMOOTH			
DO NOT SCALE DRAWING			

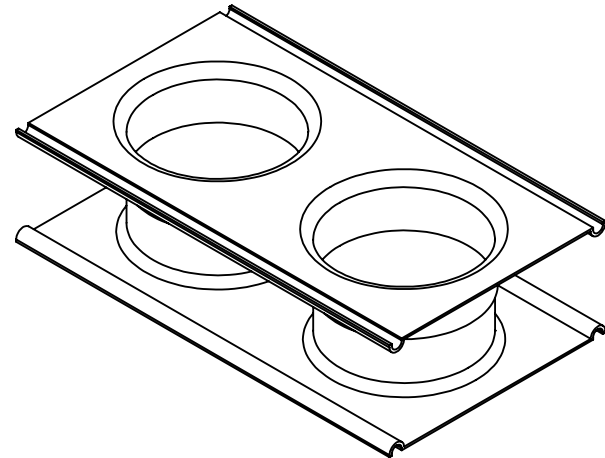
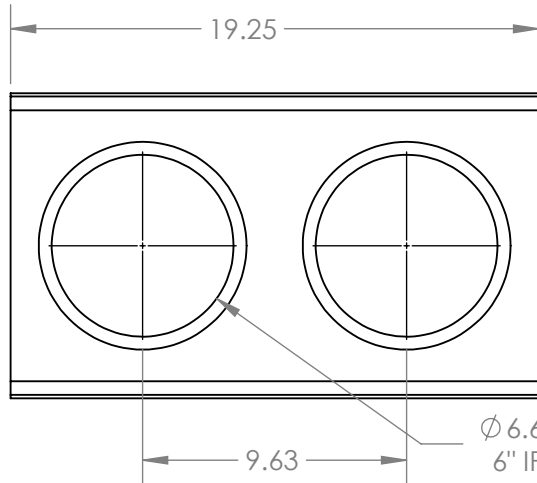
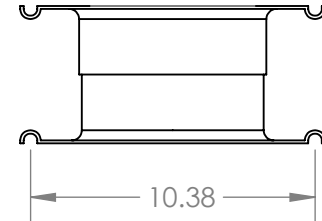
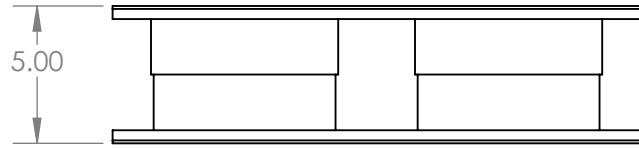
**Formex**<sup>®</sup>  
manufacturing, inc.

TITLE:  
**TERMINATOR**

SIZE <b>A</b>	DWG. NO. FX-3753-A	REV <b>A</b>
------------------	-----------------------	-----------------

SCALE: 1:7 SHEET 292 OF 314

# T6A2-3030-5SW



**PROPRIETARY AND CONFIDENTIAL**  
THE INFORMATION CONTAINED IN THIS DRAWING IS THE SOLE PROPERTY OF FORMEX MANUFACTURING. ANY REPRODUCTION IN PART OR AS A WHOLE WITHOUT THE WRITTEN PERMISSION OF FORMEX MANUFACTURING IS PROHIBITED.

UNLESS OTHERWISE SPECIFIED:		NAME	DATE
DIMENSIONS ARE IN INCHES	DRAWN	HKF	6/28/2024
TOLERANCES:	CHECKED		
FRACTIONAL ±1/32"	ENG APPR.		
ANGULAR: ±2°	MFG APPR.		
TWO PLACE DECIMAL ±0.03"	Q.A.		
THREE PLACE DECIMAL ±0.010"	COMMENTS:		
INTERPRET GEOMETRIC TOLERANCING PER:			
MATERIAL			
ABS			
FINISH			
GRAY / SMOOTH			
DO NOT SCALE DRAWING			

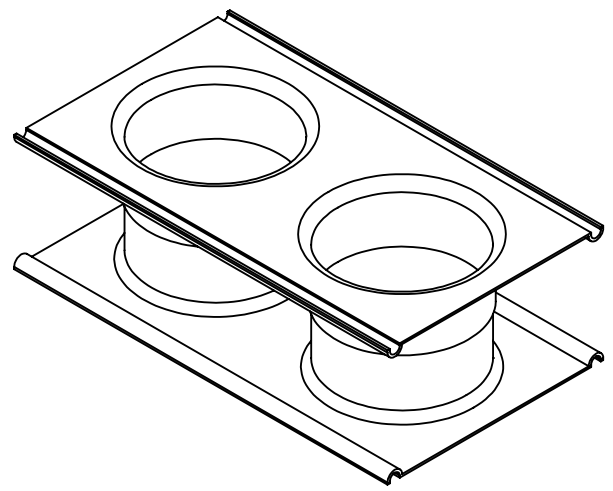
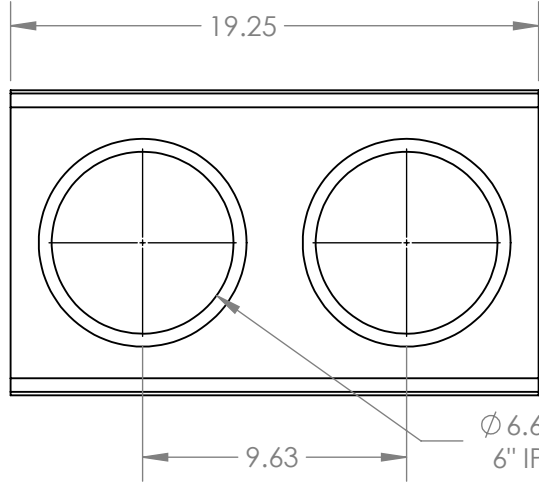
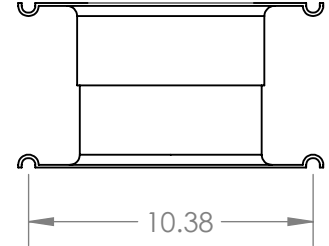
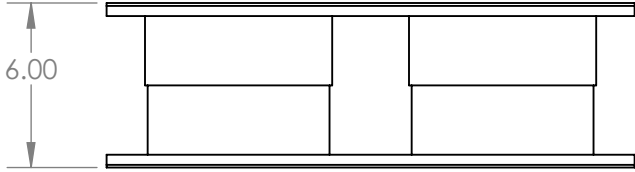
**Formex**<sup>®</sup>  
manufacturing, inc.

TITLE:  
**TERMINATOR**

SIZE <b>A</b>	DWG. NO. FX-3753-A	REV <b>A</b>
------------------	-----------------------	-----------------

SCALE: 1:7 SHEET 293 OF 314

# T6A2-3030-6SW



**PROPRIETARY AND CONFIDENTIAL**  
THE INFORMATION CONTAINED IN THIS DRAWING IS THE SOLE PROPERTY OF FORMEX MANUFACTURING. ANY REPRODUCTION IN PART OR AS A WHOLE WITHOUT THE WRITTEN PERMISSION OF FORMEX MANUFACTURING IS PROHIBITED.

UNLESS OTHERWISE SPECIFIED:	NAME	DATE
DIMENSIONS ARE IN INCHES	DRAWN	HKF 6/28/2024
TOLERANCES:	CHECKED	
FRACTIONAL ±1/32"	ENG APPR.	
ANGULAR: ±2°	MFG APPR.	
TWO PLACE DECIMAL ±0.03"	Q.A.	
THREE PLACE DECIMAL ±0.010"	COMMENTS:	
INTERPRET GEOMETRIC TOLERANCING PER:		
MATERIAL		
ABS		
FINISH		
GRAY / SMOOTH		
DO NOT SCALE DRAWING		

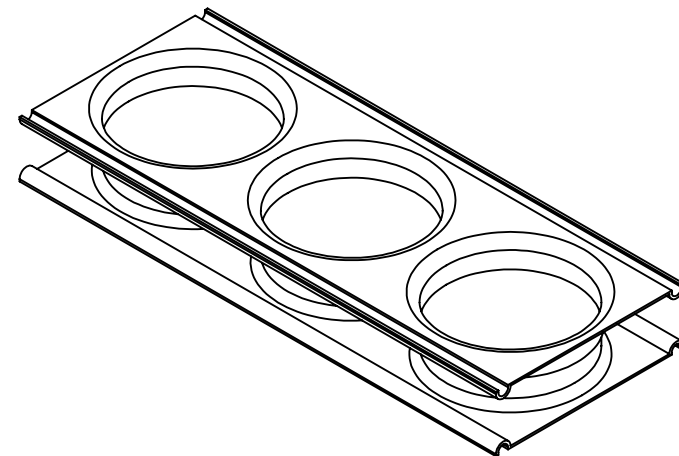
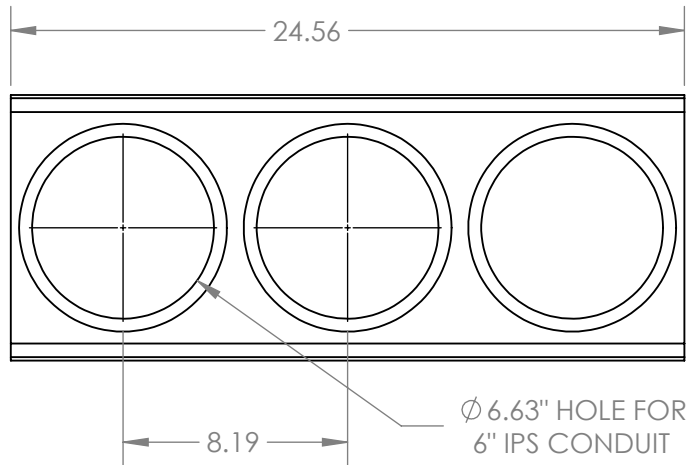
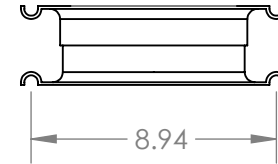
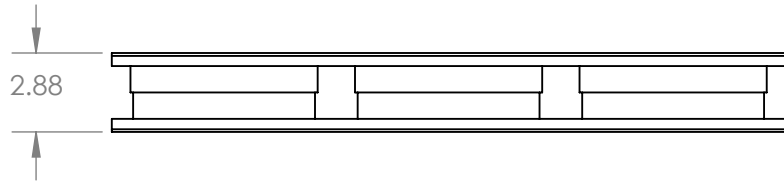
**Formex**<sup>®</sup>  
manufacturing, inc.

TITLE:  
**TERMINATOR**

SIZE	DWG. NO.	REV
<b>A</b>	FX-3753-A	<b>A</b>

SCALE: 1:7 SHEET 294 OF 314

# T6A3-1515-2 7/8SW



**PROPRIETARY AND CONFIDENTIAL**  
THE INFORMATION CONTAINED IN THIS DRAWING IS THE SOLE PROPERTY OF FORMEX MANUFACTURING. ANY REPRODUCTION IN PART OR AS A WHOLE WITHOUT THE WRITTEN PERMISSION OF FORMEX MANUFACTURING IS PROHIBITED.

UNLESS OTHERWISE SPECIFIED:		NAME	DATE
DIMENSIONS ARE IN INCHES TOLERANCES: FRACTIONAL $\pm 1/32"$ ANGULAR: $\pm 2^\circ$ TWO PLACE DECIMAL $\pm 0.03"$ THREE PLACE DECIMAL $\pm 0.010"$	DRAWN	HKF	6/28/2024
	CHECKED		
	ENG APPR.		
	MFG APPR.		
INTERPRET GEOMETRIC TOLERANCING PER:	Q.A.		
MATERIAL ABS	COMMENTS:		
FINISH GRAY / SMOOTH			
DO NOT SCALE DRAWING			

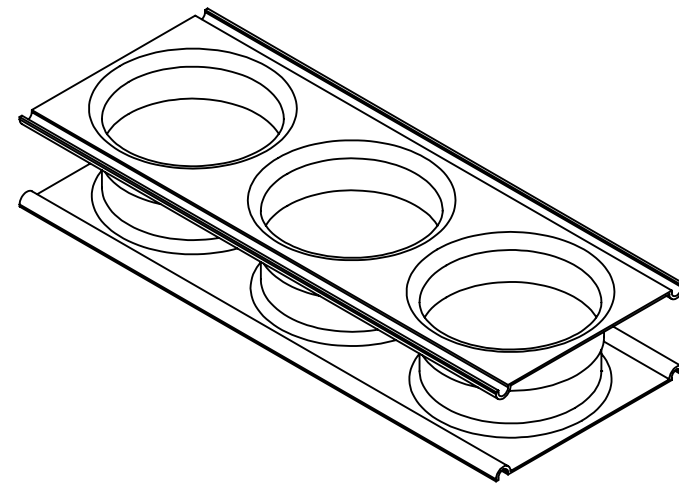
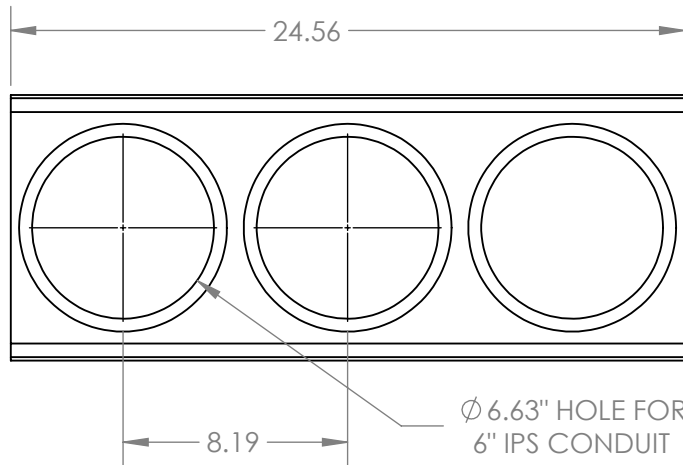
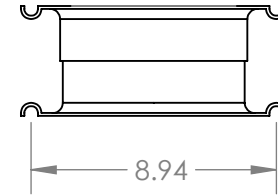
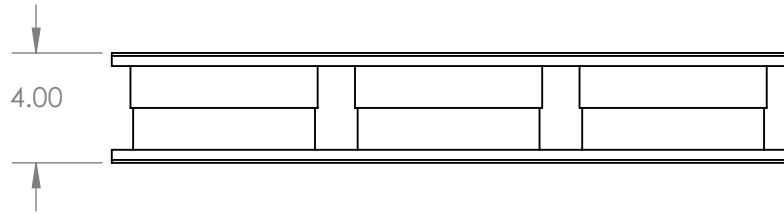
**Formex**<sup>®</sup>  
manufacturing, inc.

TITLE:  
**TERMINATOR**

SIZE <b>A</b>	DWG. NO. FX-3753-A	REV <b>A</b>
------------------	-----------------------	-----------------

SCALE: 1:7 SHEET 295 OF 314

# T6A3-1515-4SW



**PROPRIETARY AND CONFIDENTIAL**  
 THE INFORMATION CONTAINED IN THIS DRAWING IS THE SOLE PROPERTY OF FORMEX MANUFACTURING. ANY REPRODUCTION IN PART OR AS A WHOLE WITHOUT THE WRITTEN PERMISSION OF FORMEX MANUFACTURING IS PROHIBITED.

UNLESS OTHERWISE SPECIFIED:	NAME	DATE
DIMENSIONS ARE IN INCHES	DRAWN	HKF 6/28/2024
TOLERANCES:	CHECKED	
FRACTIONAL ±1/32"	ENG APPR.	
ANGULAR: ±2°	MFG APPR.	
TWO PLACE DECIMAL ±0.03"	Q.A.	
THREE PLACE DECIMAL ±0.010"	COMMENTS:	
INTERPRET GEOMETRIC TOLERANCING PER:		
MATERIAL		
ABS		
FINISH		
GRAY / SMOOTH		
DO NOT SCALE DRAWING		

**Formex**<sup>®</sup>  
 manufacturing, inc.

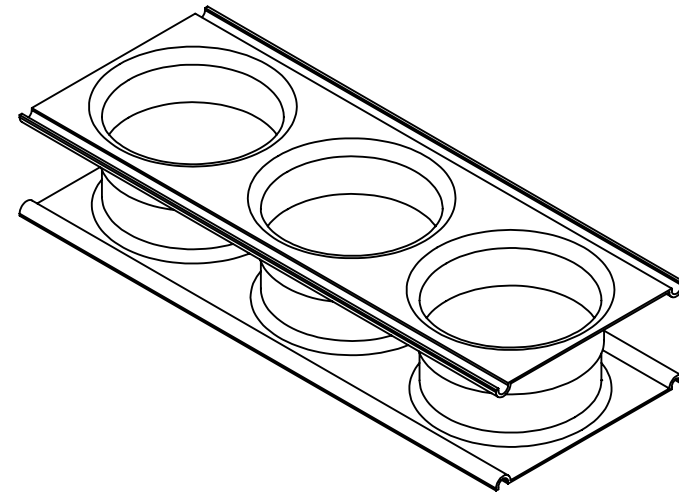
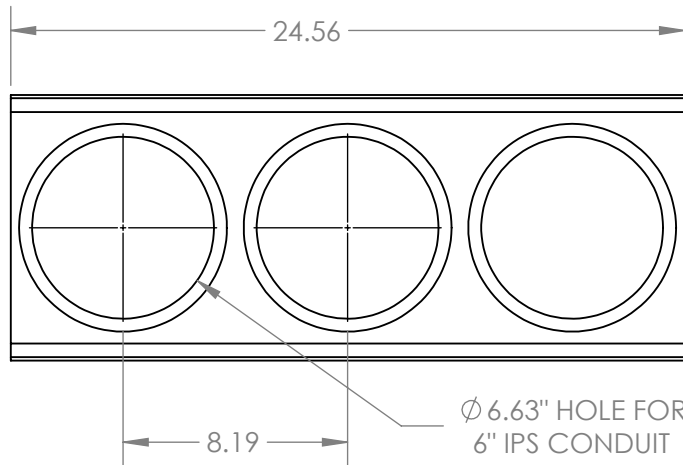
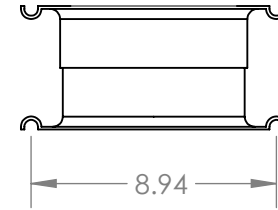
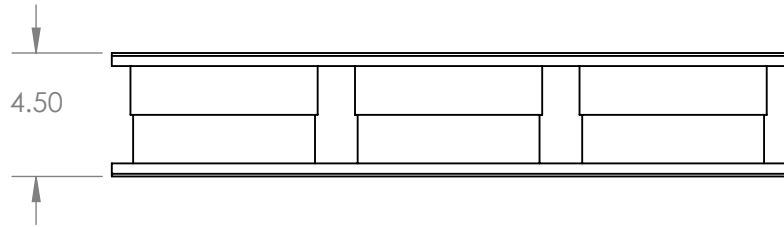
TITLE:  
**TERMINATOR**

SIZE	DWG. NO.	REV
<b>A</b>	FX-3753-A	<b>A</b>

SCALE: 1:7 SHEET 296 OF 314



# T6A3-1515-4 1/2SW



**PROPRIETARY AND CONFIDENTIAL**  
 THE INFORMATION CONTAINED IN THIS DRAWING IS THE SOLE PROPERTY OF FORMEX MANUFACTURING. ANY REPRODUCTION IN PART OR AS A WHOLE WITHOUT THE WRITTEN PERMISSION OF FORMEX MANUFACTURING IS PROHIBITED.

UNLESS OTHERWISE SPECIFIED:	NAME	DATE
DIMENSIONS ARE IN INCHES	DRAWN	HKF 6/28/2024
TOLERANCES:	CHECKED	
FRACTIONAL ±1/32"	ENG APPR.	
ANGULAR: ±2°	MFG APPR.	
TWO PLACE DECIMAL ±0.03"	Q.A.	
THREE PLACE DECIMAL ±0.010"	COMMENTS:	
INTERPRET GEOMETRIC TOLERANCING PER:		
MATERIAL		
ABS		
FINISH		
GRAY / SMOOTH		
DO NOT SCALE DRAWING		

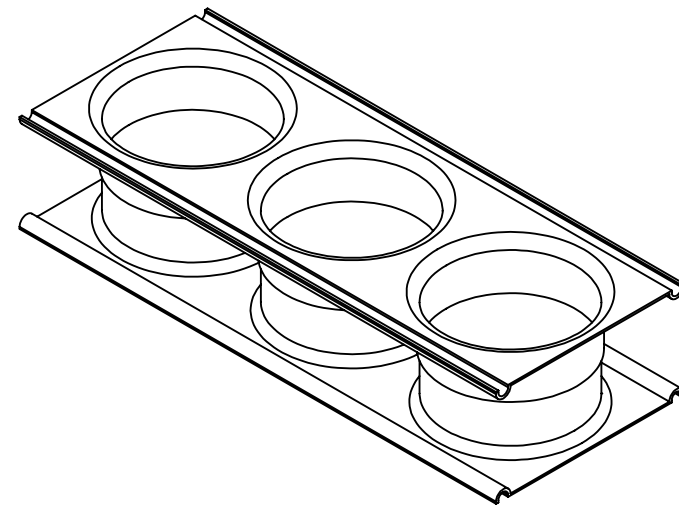
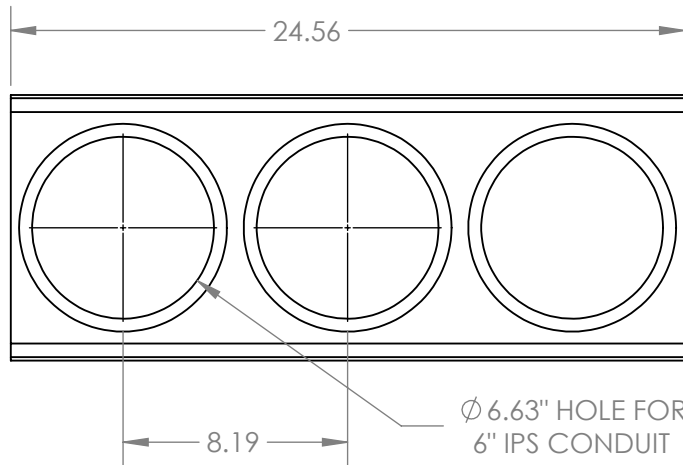
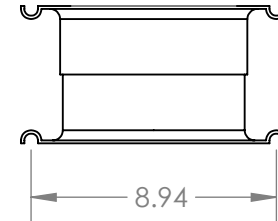
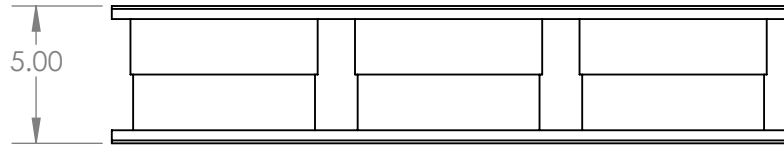
**Formex**<sup>®</sup>  
 manufacturing, inc.

TITLE:  
**TERMINATOR**

SIZE	DWG. NO.	REV
<b>A</b>	FX-3753-A	<b>A</b>

SCALE: 1:7 SHEET 297 OF 314

# T6A3-1515-5SW



**PROPRIETARY AND CONFIDENTIAL**  
 THE INFORMATION CONTAINED IN THIS DRAWING IS THE SOLE PROPERTY OF FORMEX MANUFACTURING. ANY REPRODUCTION IN PART OR AS A WHOLE WITHOUT THE WRITTEN PERMISSION OF FORMEX MANUFACTURING IS PROHIBITED.

UNLESS OTHERWISE SPECIFIED:		NAME	DATE
DIMENSIONS ARE IN INCHES TOLERANCES: FRACTIONAL $\pm 1/32"$ ANGULAR: $\pm 2^\circ$ TWO PLACE DECIMAL $\pm 0.03"$ THREE PLACE DECIMAL $\pm 0.010"$	DRAWN	HKF	6/28/2024
	CHECKED		
	ENG APPR.		
	MFG APPR.		
	Q.A.		
INTERPRET GEOMETRIC TOLERANCING PER:	COMMENTS:		
MATERIAL ABS			
FINISH GRAY / SMOOTH			
DO NOT SCALE DRAWING			

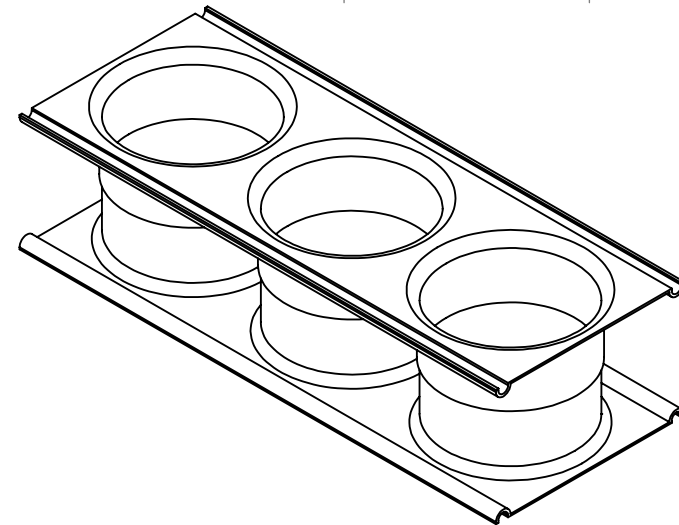
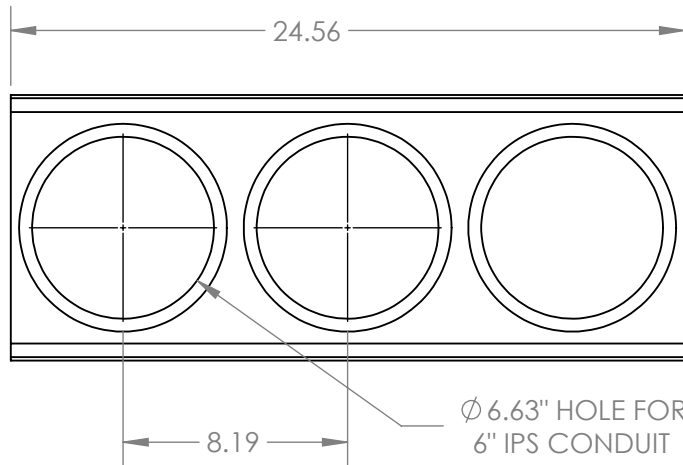
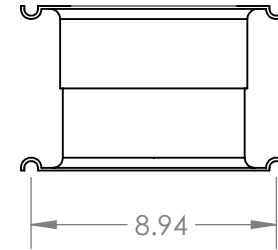
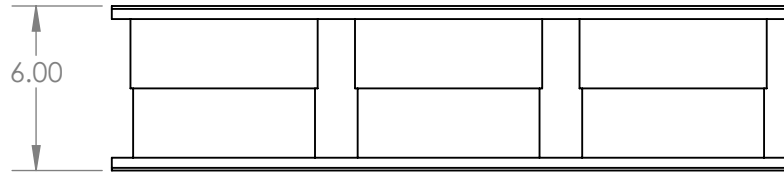
**Formex**<sup>®</sup>  
 manufacturing, inc.

TITLE:  
**TERMINATOR**

SIZE <b>A</b>	DWG. NO. FX-3753-A	REV <b>A</b>
------------------	-----------------------	-----------------

SCALE: 1:7 SHEET 298 OF 314

# T6A3-1515-6SW



**PROPRIETARY AND CONFIDENTIAL**  
 THE INFORMATION CONTAINED IN THIS DRAWING IS THE SOLE PROPERTY OF FORMEX MANUFACTURING. ANY REPRODUCTION IN PART OR AS A WHOLE WITHOUT THE WRITTEN PERMISSION OF FORMEX MANUFACTURING IS PROHIBITED.

UNLESS OTHERWISE SPECIFIED:	NAME	DATE
DIMENSIONS ARE IN INCHES	DRAWN	HKF 6/28/2024
TOLERANCES:	CHECKED	
FRACTIONAL ±1/32"	ENG APPR.	
ANGULAR: ±2°	MFG APPR.	
TWO PLACE DECIMAL ±0.03"	Q.A.	
THREE PLACE DECIMAL ±0.010"	COMMENTS:	
INTERPRET GEOMETRIC TOLERANCING PER:		
MATERIAL		
ABS		
FINISH		
GRAY / SMOOTH		
DO NOT SCALE DRAWING		

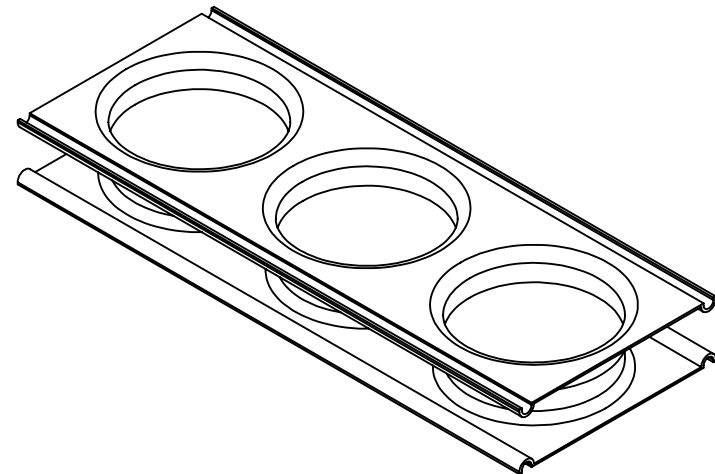
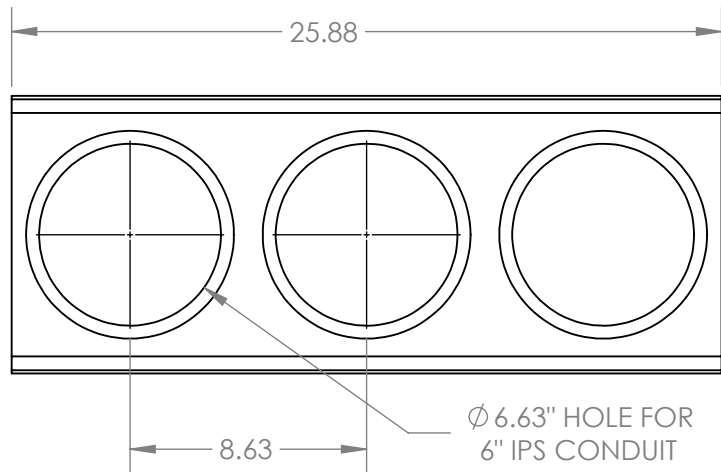
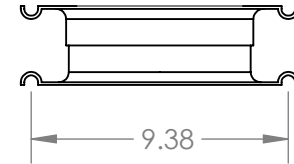
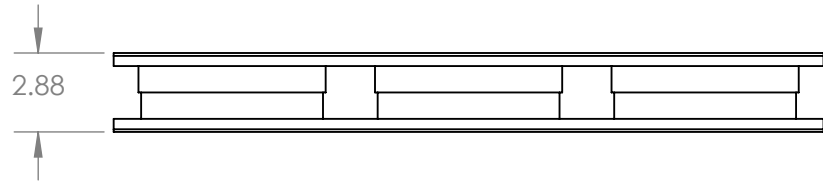
**Formex**<sup>®</sup>  
 manufacturing, inc.

TITLE:  
**TERMINATOR**

SIZE	DWG. NO.	REV
<b>A</b>	FX-3753-A	<b>A</b>

SCALE: 1:7 SHEET 299 OF 314

# T6A3-2020-2 7/8SW



**PROPRIETARY AND CONFIDENTIAL**  
THE INFORMATION CONTAINED IN THIS DRAWING IS THE SOLE PROPERTY OF FORMEX MANUFACTURING. ANY REPRODUCTION IN PART OR AS A WHOLE WITHOUT THE WRITTEN PERMISSION OF FORMEX MANUFACTURING IS PROHIBITED.

UNLESS OTHERWISE SPECIFIED:		NAME	DATE
DIMENSIONS ARE IN INCHES TOLERANCES: FRACTIONAL ±1/32" ANGULAR: ±2° TWO PLACE DECIMAL ±0.03" THREE PLACE DECIMAL ±0.010"	DRAWN	HKF	6/28/2024
	CHECKED		
	ENG APPR.		
	MFG APPR.		
INTERPRET GEOMETRIC TOLERANCING PER:	Q.A.		
MATERIAL ABS	COMMENTS:		
FINISH GRAY / SMOOTH			
DO NOT SCALE DRAWING			

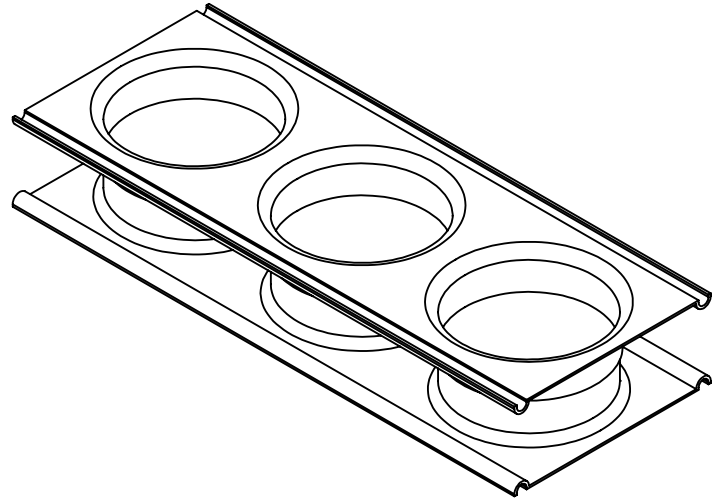
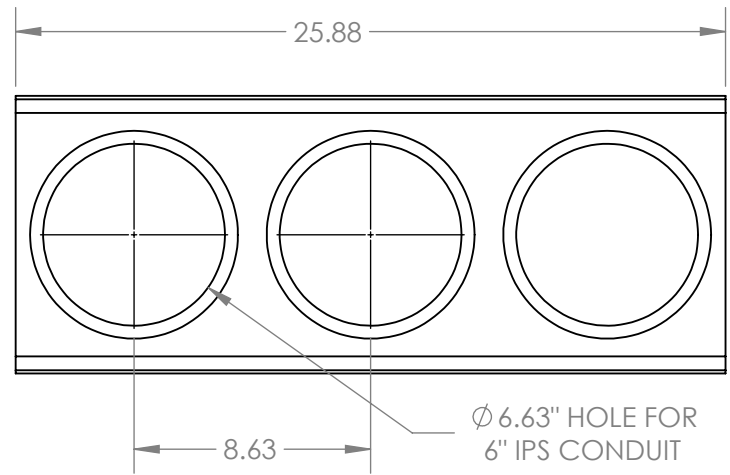
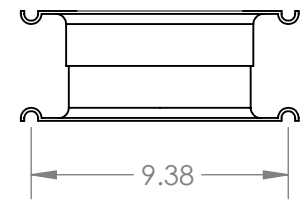
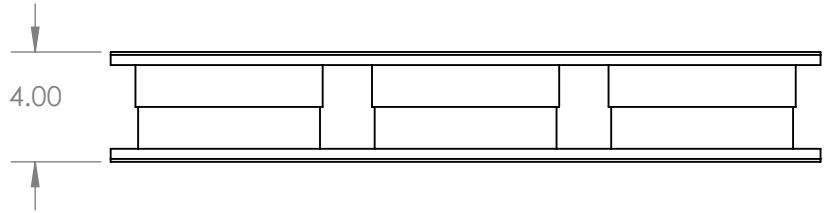
**Formex**<sup>®</sup>  
manufacturing, inc.

TITLE:  
**TERMINATOR**

SIZE <b>A</b>	DWG. NO. FX-3753-A	REV <b>A</b>
------------------	-----------------------	-----------------

SCALE: 1:7 SHEET 300 OF 314

# T6A3-2020-4SW



**PROPRIETARY AND CONFIDENTIAL**  
 THE INFORMATION CONTAINED IN THIS DRAWING IS THE SOLE PROPERTY OF FORMEX MANUFACTURING. ANY REPRODUCTION IN PART OR AS A WHOLE WITHOUT THE WRITTEN PERMISSION OF FORMEX MANUFACTURING IS PROHIBITED.

UNLESS OTHERWISE SPECIFIED:	NAME	DATE
DIMENSIONS ARE IN INCHES	DRAWN	HKF 6/28/2024
TOLERANCES:	CHECKED	
FRACTIONAL ±1/32"	ENG APPR.	
ANGULAR: ±2°	MFG APPR.	
TWO PLACE DECIMAL ±0.03"	Q.A.	
THREE PLACE DECIMAL ±0.010"	COMMENTS:	
INTERPRET GEOMETRIC TOLERANCING PER:		
MATERIAL		
ABS		
FINISH		
GRAY / SMOOTH		
DO NOT SCALE DRAWING		

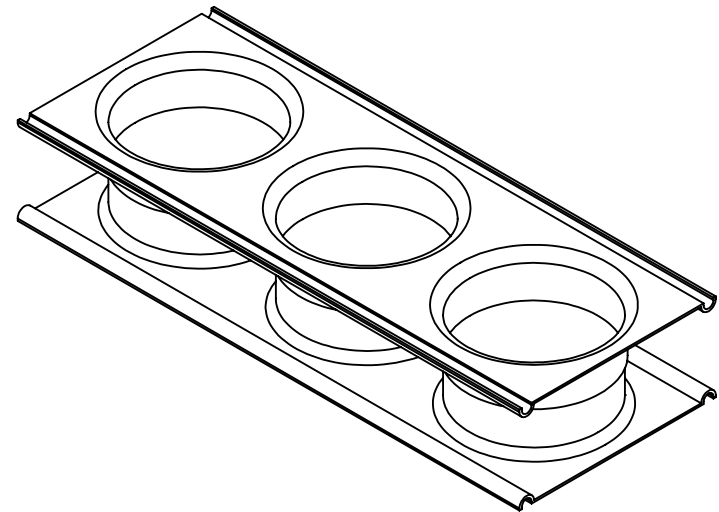
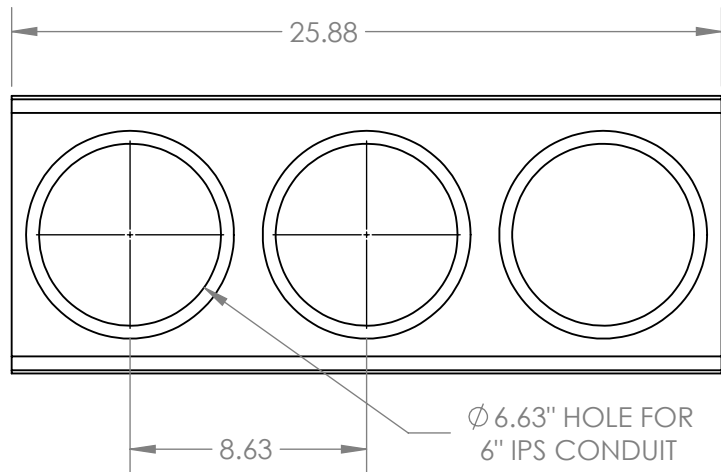
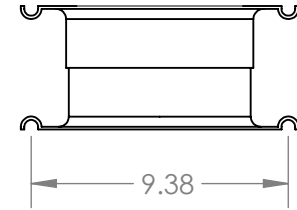
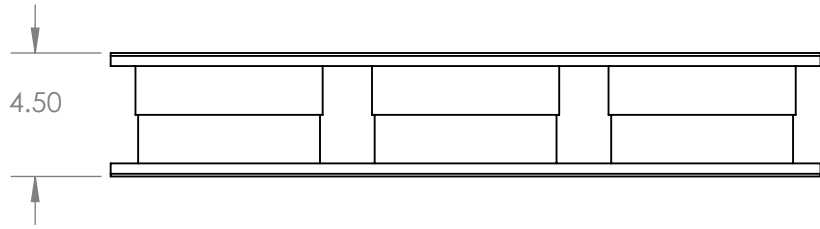
**Formex**<sup>®</sup>  
 manufacturing, inc.

TITLE:  
**TERMINATOR**

SIZE	DWG. NO.	REV
<b>A</b>	FX-3753-A	<b>A</b>

SCALE: 1:7 SHEET 301 OF 314

# T6A3-2020-4 1/2SW



**PROPRIETARY AND CONFIDENTIAL**  
 THE INFORMATION CONTAINED IN THIS DRAWING IS THE SOLE PROPERTY OF FORMEX MANUFACTURING. ANY REPRODUCTION IN PART OR AS A WHOLE WITHOUT THE WRITTEN PERMISSION OF FORMEX MANUFACTURING IS PROHIBITED.

UNLESS OTHERWISE SPECIFIED:	NAME	DATE
DIMENSIONS ARE IN INCHES	DRAWN	HKF 6/28/2024
TOLERANCES:	CHECKED	
FRACTIONAL ±1/32"	ENG APPR.	
ANGULAR: ±2°	MFG APPR.	
TWO PLACE DECIMAL ±0.03"	Q.A.	
THREE PLACE DECIMAL ±0.010"	COMMENTS:	
INTERPRET GEOMETRIC TOLERANCING PER:		
MATERIAL		
ABS		
FINISH		
GRAY / SMOOTH		
DO NOT SCALE DRAWING		

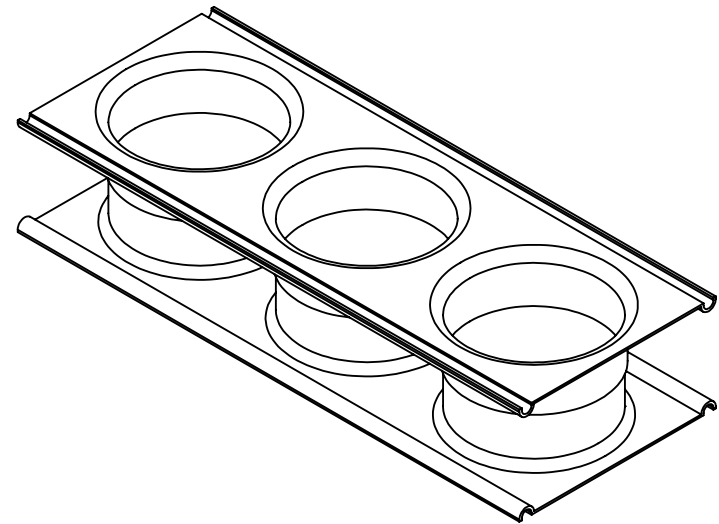
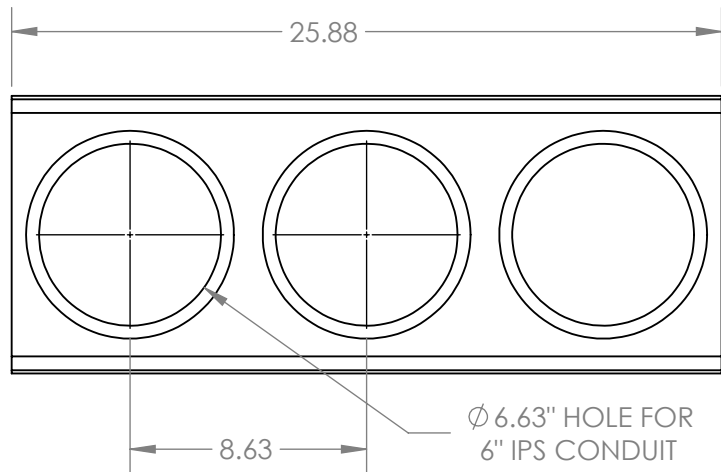
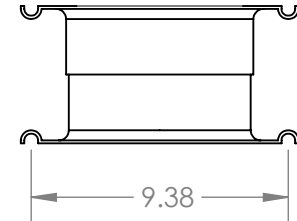
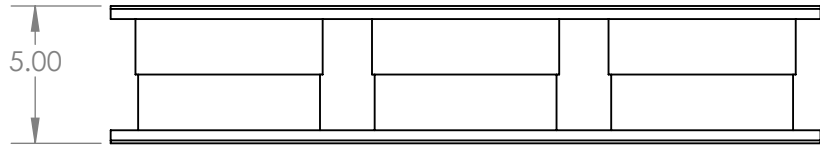
**Formex**<sup>®</sup>  
 manufacturing, inc.

TITLE:  
**TERMINATOR**

SIZE	DWG. NO.	REV
<b>A</b>	FX-3753-A	<b>A</b>

SCALE: 1:7 SHEET 302 OF 314

# T6A3-2020-5SW



**PROPRIETARY AND CONFIDENTIAL**  
THE INFORMATION CONTAINED IN THIS DRAWING IS THE SOLE PROPERTY OF FORMEX MANUFACTURING. ANY REPRODUCTION IN PART OR AS A WHOLE WITHOUT THE WRITTEN PERMISSION OF FORMEX MANUFACTURING IS PROHIBITED.

UNLESS OTHERWISE SPECIFIED:	NAME	DATE
DIMENSIONS ARE IN INCHES	DRAWN	HKF 6/28/2024
TOLERANCES:	CHECKED	
FRACTIONAL ±1/32"	ENG APPR.	
ANGULAR: ±2°	MFG APPR.	
TWO PLACE DECIMAL ±0.03"	Q.A.	
THREE PLACE DECIMAL ±0.010"	COMMENTS:	
INTERPRET GEOMETRIC TOLERANCING PER:		
MATERIAL		
ABS		
FINISH		
GRAY / SMOOTH		
DO NOT SCALE DRAWING		

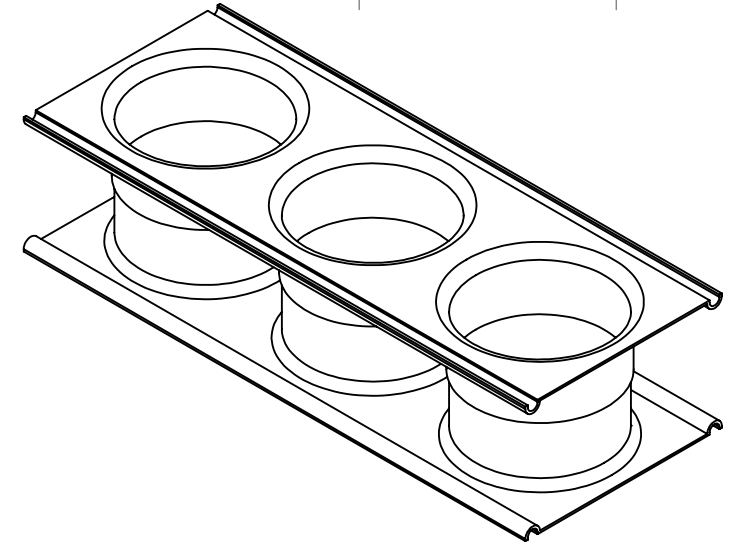
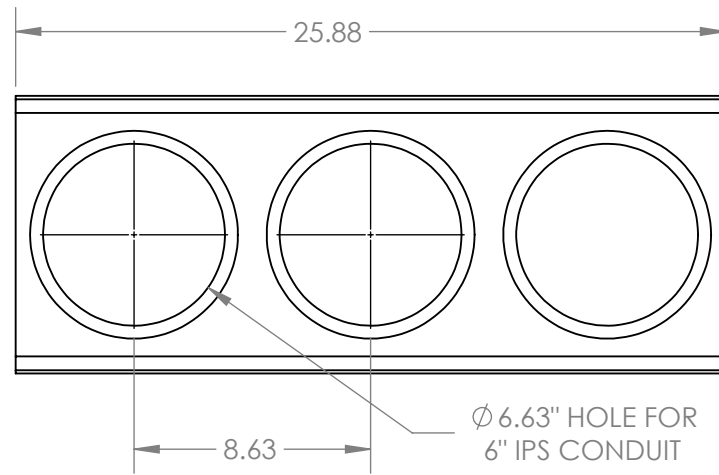
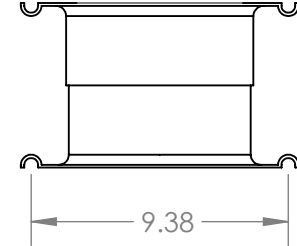
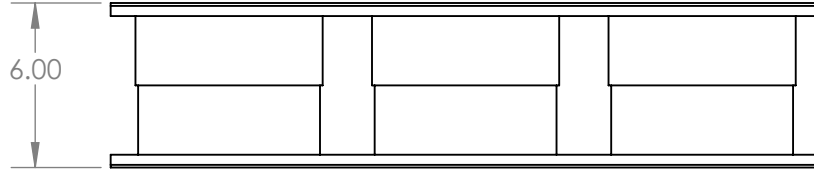
**Formex**<sup>®</sup>  
manufacturing, inc.

TITLE:  
**TERMINATOR**

SIZE <b>A</b>	DWG. NO. FX-3753-A	REV <b>A</b>
------------------	-----------------------	-----------------

SCALE: 1:7 SHEET 303 OF 314

# T6A3-2020-6SW



**PROPRIETARY AND CONFIDENTIAL**  
 THE INFORMATION CONTAINED IN THIS DRAWING IS THE SOLE PROPERTY OF FORMEX MANUFACTURING. ANY REPRODUCTION IN PART OR AS A WHOLE WITHOUT THE WRITTEN PERMISSION OF FORMEX MANUFACTURING IS PROHIBITED.

UNLESS OTHERWISE SPECIFIED:	NAME	DATE
DIMENSIONS ARE IN INCHES	DRAWN	HKF 6/28/2024
TOLERANCES:	CHECKED	
FRACTIONAL ±1/32"	ENG APPR.	
ANGULAR: ±2°	MFG APPR.	
TWO PLACE DECIMAL ±0.03"	Q.A.	
THREE PLACE DECIMAL ±0.010"	COMMENTS:	
INTERPRET GEOMETRIC TOLERANCING PER:		
MATERIAL		
ABS		
FINISH		
GRAY / SMOOTH		
DO NOT SCALE DRAWING		

**Formex**<sup>®</sup>  
 manufacturing, inc.

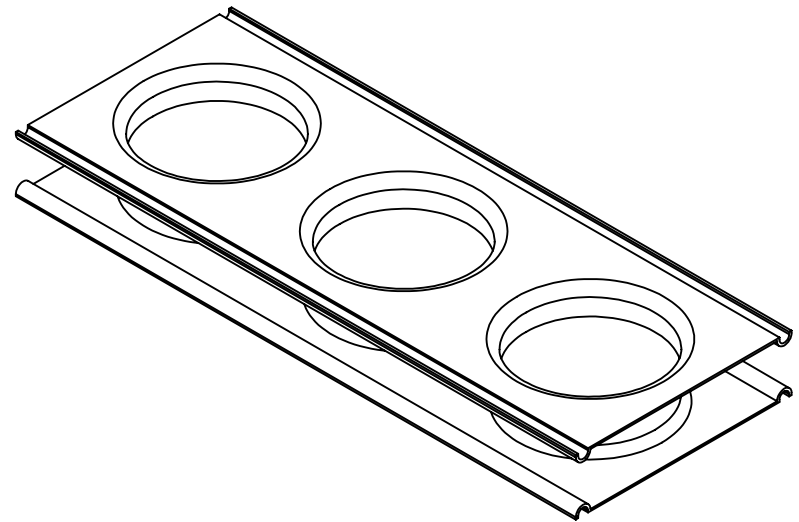
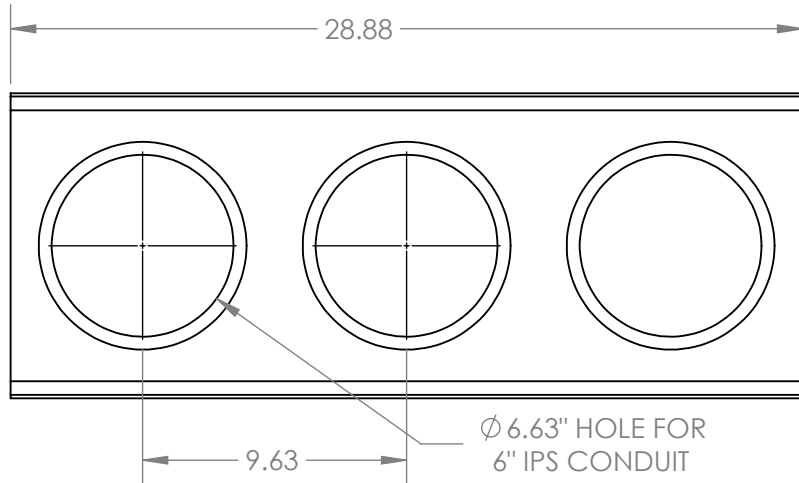
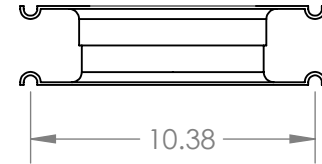
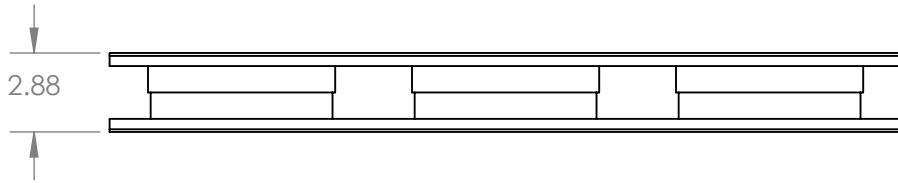
TITLE:  
**TERMINATOR**

SIZE	DWG. NO.	REV
<b>A</b>	FX-3753-A	<b>A</b>

SCALE: 1:7 SHEET 304 OF 314



# T6A3-3030-2 7/8SW



**PROPRIETARY AND CONFIDENTIAL**  
 THE INFORMATION CONTAINED IN THIS DRAWING IS THE SOLE PROPERTY OF FORMEX MANUFACTURING. ANY REPRODUCTION IN PART OR AS A WHOLE WITHOUT THE WRITTEN PERMISSION OF FORMEX MANUFACTURING IS PROHIBITED.

UNLESS OTHERWISE SPECIFIED:		NAME	DATE
DIMENSIONS ARE IN INCHES TOLERANCES: FRACTIONAL $\pm 1/32"$ ANGULAR: $\pm 2^\circ$ TWO PLACE DECIMAL $\pm 0.03"$ THREE PLACE DECIMAL $\pm 0.010"$	DRAWN	HKF	6/28/2024
	CHECKED		
	ENG APPR.		
	MFG APPR.		
	Q.A.		
INTERPRET GEOMETRIC TOLERANCING PER:	COMMENTS:		
MATERIAL ABS			
FINISH GRAY / SMOOTH			
DO NOT SCALE DRAWING			

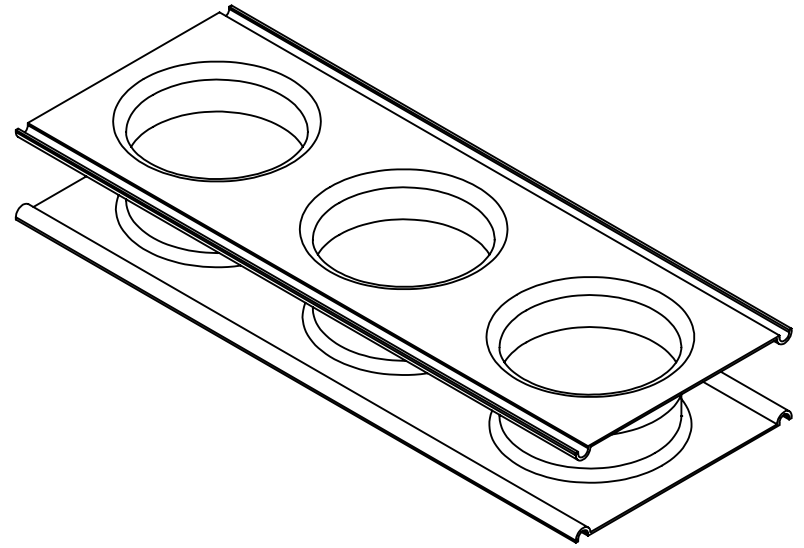
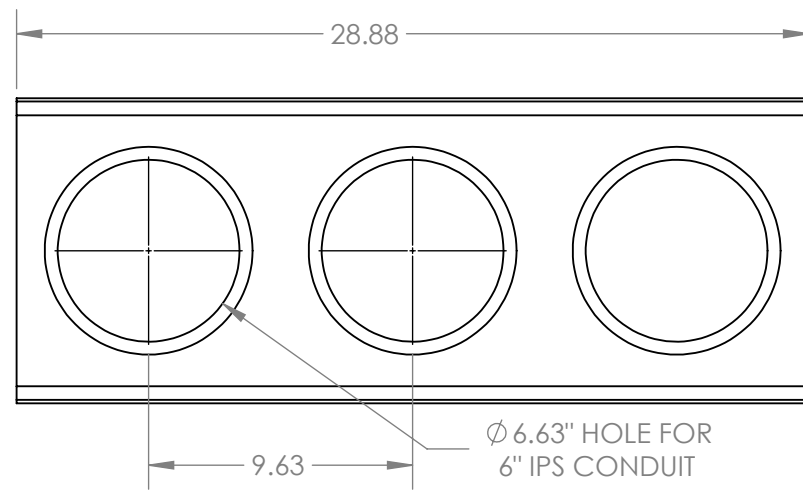
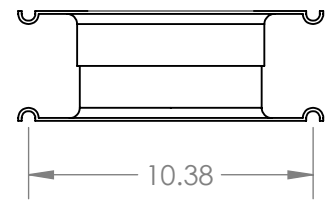
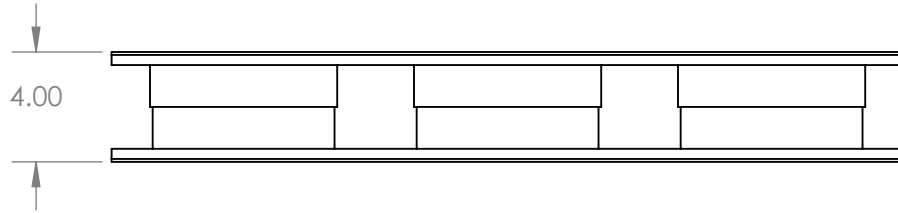
**Formex**<sup>®</sup>  
 manufacturing, inc.

TITLE:  
**TERMINATOR**

SIZE <b>A</b>	DWG. NO. FX-3753-A	REV <b>A</b>
------------------	-----------------------	-----------------

SCALE: 1:7 SHEET 305 OF 314

# T6A3-3030-4SW



**PROPRIETARY AND CONFIDENTIAL**  
 THE INFORMATION CONTAINED IN THIS DRAWING IS THE SOLE PROPERTY OF FORMEX MANUFACTURING. ANY REPRODUCTION IN PART OR AS A WHOLE WITHOUT THE WRITTEN PERMISSION OF FORMEX MANUFACTURING IS PROHIBITED.

UNLESS OTHERWISE SPECIFIED:		NAME	DATE
DIMENSIONS ARE IN INCHES	DRAWN	HKF	6/28/2024
TOLERANCES:	CHECKED		
FRACTIONAL ±1/32"	ENG APPR.		
ANGULAR: ±2°	MFG APPR.		
TWO PLACE DECIMAL ±0.03"	Q.A.		
THREE PLACE DECIMAL ±0.010"	COMMENTS:		
INTERPRET GEOMETRIC TOLERANCING PER:			
MATERIAL			
ABS			
FINISH			
GRAY / SMOOTH			
DO NOT SCALE DRAWING			

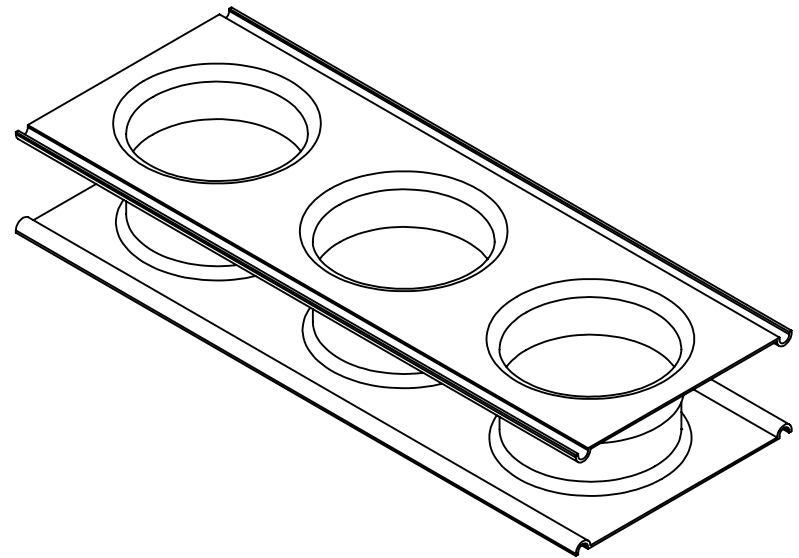
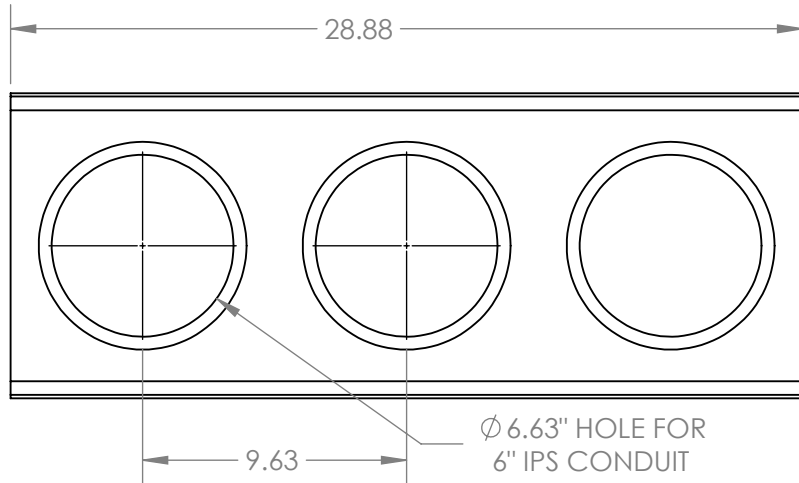
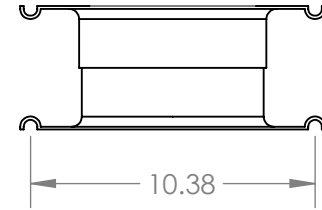
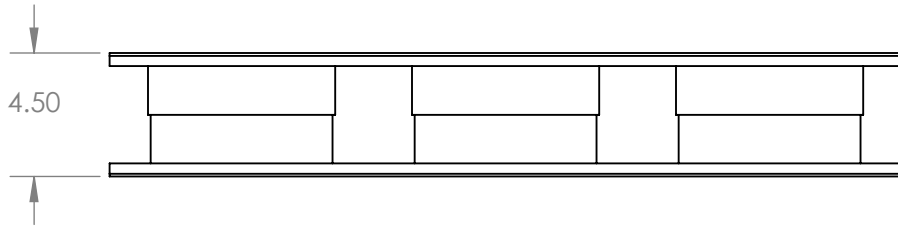
**Formex**<sup>®</sup>  
 manufacturing, inc.

TITLE:  
**TERMINATOR**

SIZE <b>A</b>	DWG. NO. FX-3753-A	REV <b>A</b>
------------------	-----------------------	-----------------

SCALE: 1:7 SHEET 306 OF 314

# T6A3-3030-4 1/2SW



**PROPRIETARY AND CONFIDENTIAL**  
 THE INFORMATION CONTAINED IN THIS DRAWING IS THE SOLE PROPERTY OF FORMEX MANUFACTURING. ANY REPRODUCTION IN PART OR AS A WHOLE WITHOUT THE WRITTEN PERMISSION OF FORMEX MANUFACTURING IS PROHIBITED.

UNLESS OTHERWISE SPECIFIED:	NAME	DATE
DIMENSIONS ARE IN INCHES	DRAWN	HKF 6/28/2024
TOLERANCES:	CHECKED	
FRACTIONAL: ±1/32"	ENG APPR.	
ANGULAR: ±2°	MFG APPR.	
TWO PLACE DECIMAL ±0.03"	Q.A.	
THREE PLACE DECIMAL ±0.010"	COMMENTS:	
INTERPRET GEOMETRIC TOLERANCING PER:		
MATERIAL		
ABS		
FINISH		
GRAY / SMOOTH		
DO NOT SCALE DRAWING		

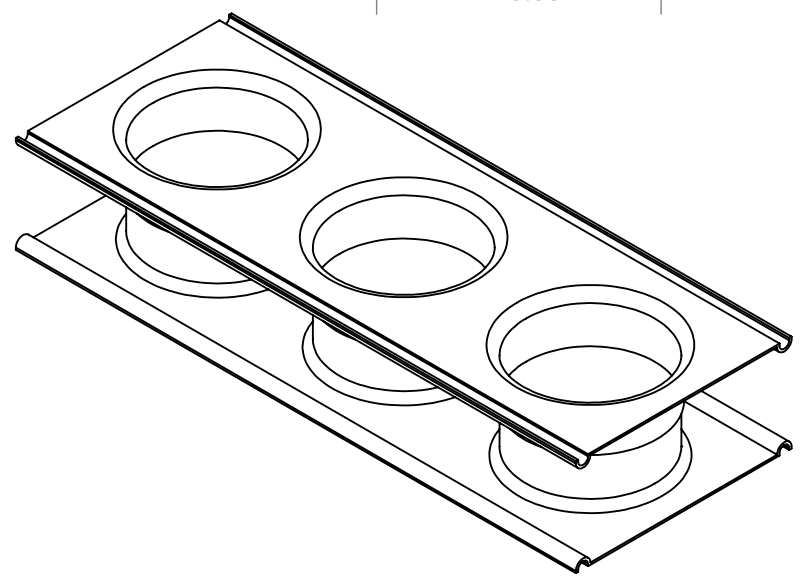
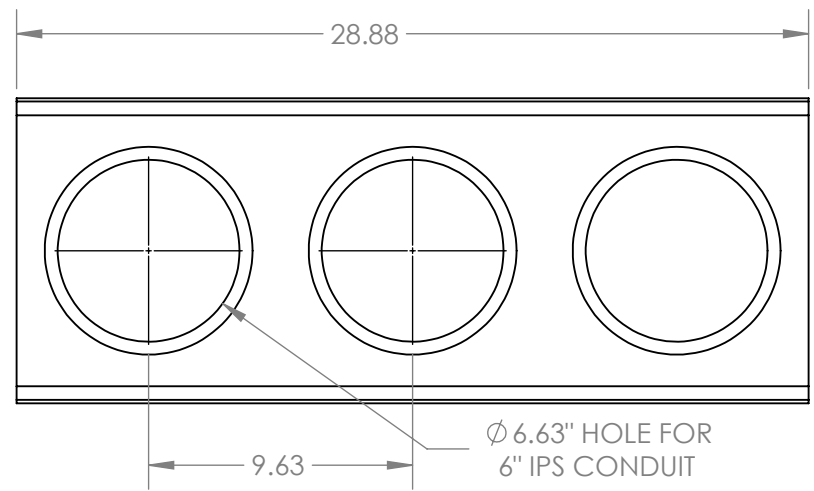
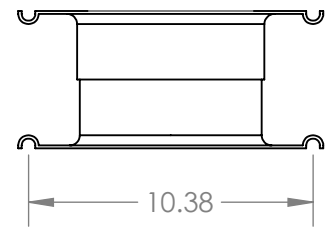
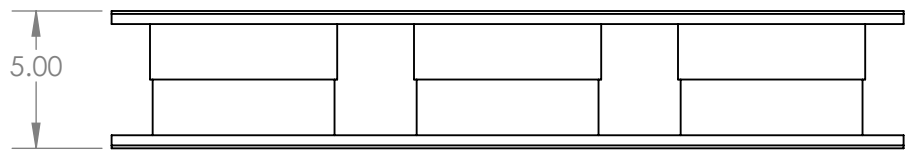
**Formex**<sup>®</sup>  
 manufacturing, inc.

TITLE:  
**TERMINATOR**

SIZE	DWG. NO.	REV
<b>A</b>	FX-3753-A	<b>A</b>

SCALE: 1:7 SHEET 307 OF 314

# T6A3-3030-5SW



**PROPRIETARY AND CONFIDENTIAL**  
 THE INFORMATION CONTAINED IN THIS DRAWING IS THE SOLE PROPERTY OF FORMEX MANUFACTURING. ANY REPRODUCTION IN PART OR AS A WHOLE WITHOUT THE WRITTEN PERMISSION OF FORMEX MANUFACTURING IS PROHIBITED.

UNLESS OTHERWISE SPECIFIED:	NAME	DATE
DIMENSIONS ARE IN INCHES	DRAWN	HKF 6/28/2024
TOLERANCES:	CHECKED	
FRACTIONAL ±1/32"	ENG APPR.	
ANGULAR: ±2°	MFG APPR.	
TWO PLACE DECIMAL ±0.03"	Q.A.	
THREE PLACE DECIMAL ±0.010"	COMMENTS:	
INTERPRET GEOMETRIC TOLERANCING PER:		
MATERIAL		
ABS		
FINISH		
GRAY / SMOOTH		
DO NOT SCALE DRAWING		

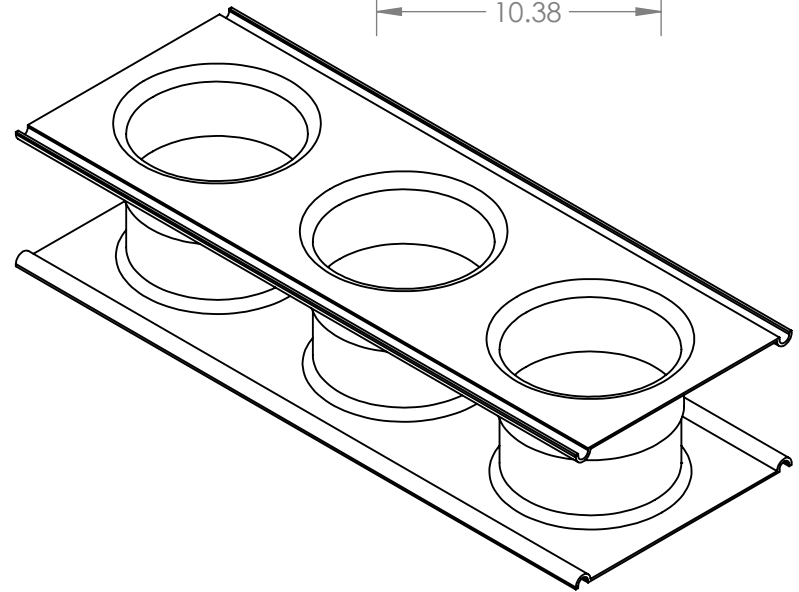
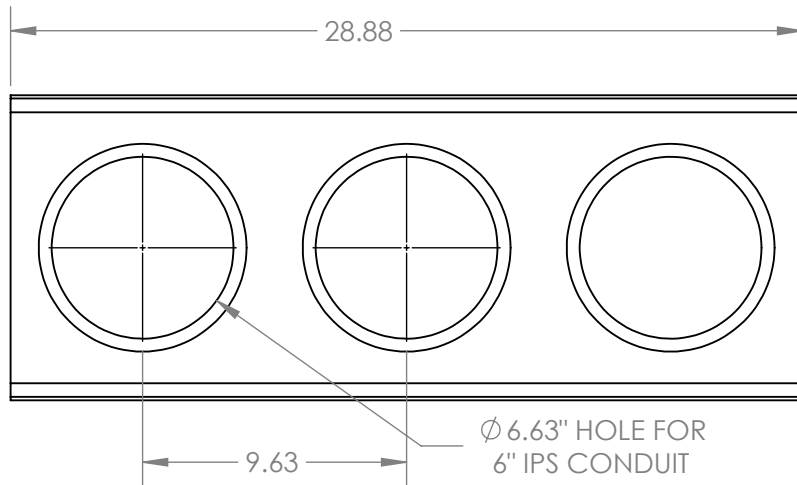
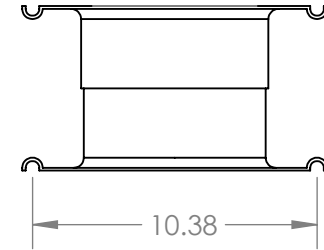
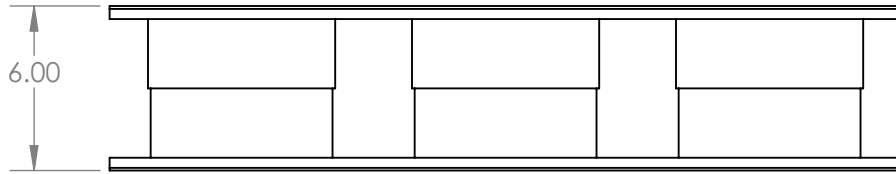
**Formex**<sup>®</sup>  
 manufacturing, inc.

TITLE:  
**TERMINATOR**

SIZE	DWG. NO.	REV
<b>A</b>	FX-3753-A	<b>A</b>

SCALE: 1:7 SHEET 308 OF 314

# T6A3-3030-6SW



**PROPRIETARY AND CONFIDENTIAL**  
 THE INFORMATION CONTAINED IN THIS DRAWING IS THE SOLE PROPERTY OF FORMEX MANUFACTURING. ANY REPRODUCTION IN PART OR AS A WHOLE WITHOUT THE WRITTEN PERMISSION OF FORMEX MANUFACTURING IS PROHIBITED.

UNLESS OTHERWISE SPECIFIED:	NAME	DATE
DIMENSIONS ARE IN INCHES	DRAWN	HKF 6/28/2024
TOLERANCES:	CHECKED	
FRACTIONAL ±1/32"	ENG APPR.	
ANGULAR: ±2°	MFG APPR.	
TWO PLACE DECIMAL ±0.03"	Q.A.	
THREE PLACE DECIMAL ±0.010"	COMMENTS:	
INTERPRET GEOMETRIC TOLERANCING PER:		
MATERIAL		
ABS		
FINISH		
GRAY / SMOOTH		
DO NOT SCALE DRAWING		

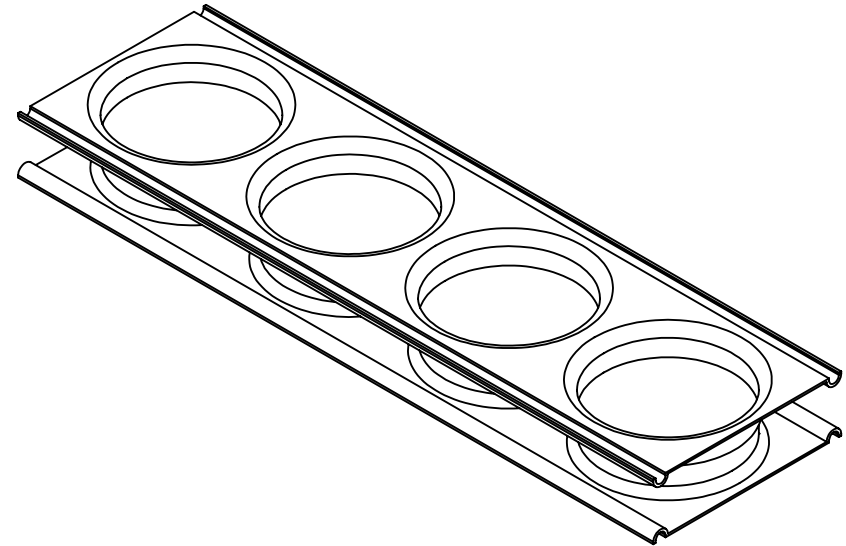
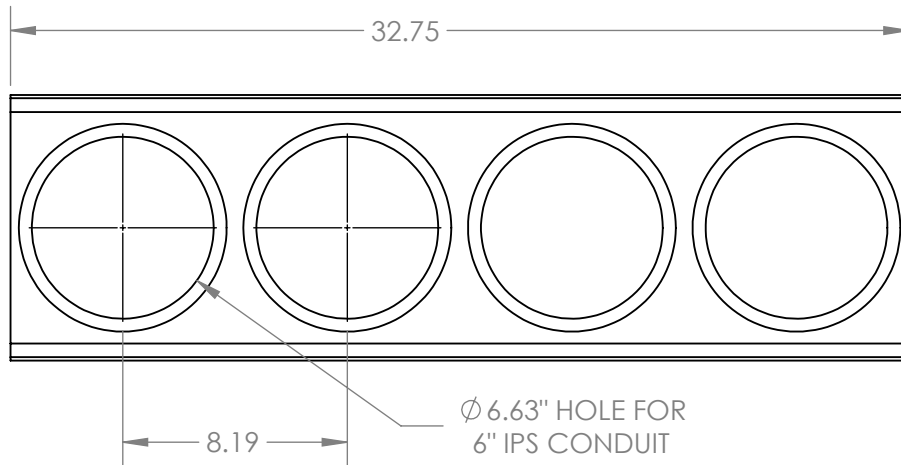
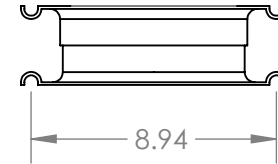
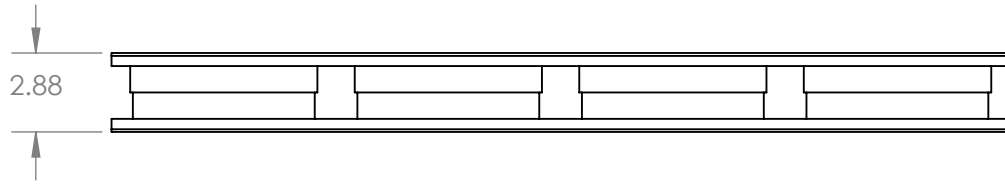
**Formex**<sup>®</sup>  
 manufacturing, inc.

TITLE:  
**TERMINATOR**

SIZE	DWG. NO.	REV
<b>A</b>	FX-3753-A	<b>A</b>

SCALE: 1:7 SHEET 309 OF 314

# T6A4-1515-2 7/8SW



**PROPRIETARY AND CONFIDENTIAL**  
 THE INFORMATION CONTAINED IN THIS DRAWING IS THE SOLE PROPERTY OF FORMEX MANUFACTURING. ANY REPRODUCTION IN PART OR AS A WHOLE WITHOUT THE WRITTEN PERMISSION OF FORMEX MANUFACTURING IS PROHIBITED.

UNLESS OTHERWISE SPECIFIED:		NAME	DATE
DIMENSIONS ARE IN INCHES	DRAWN	HKF	6/28/2024
TOLERANCES:	CHECKED		
FRACTIONAL $\pm 1/32"$	ENG APPR.		
ANGULAR: $\pm 2^\circ$	MFG APPR.		
TWO PLACE DECIMAL $\pm 0.03"$	Q.A.		
THREE PLACE DECIMAL $\pm 0.010"$	COMMENTS:		
INTERPRET GEOMETRIC TOLERANCING PER:			
MATERIAL			
ABS			
FINISH			
GRAY / SMOOTH			
DO NOT SCALE DRAWING			

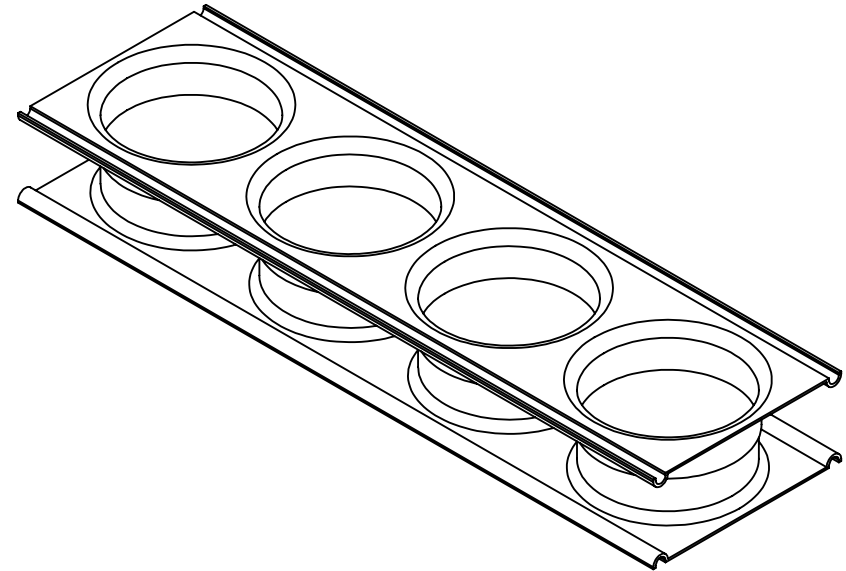
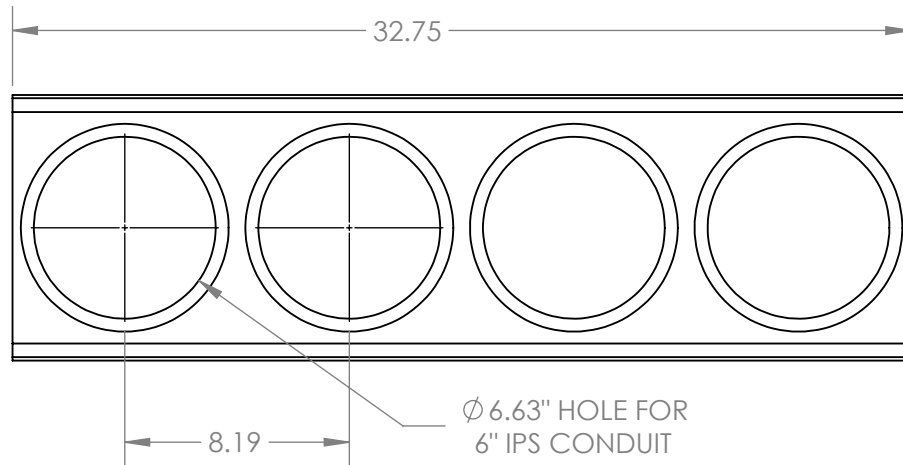
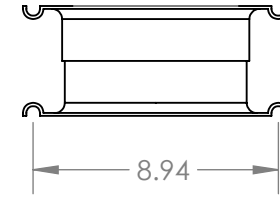
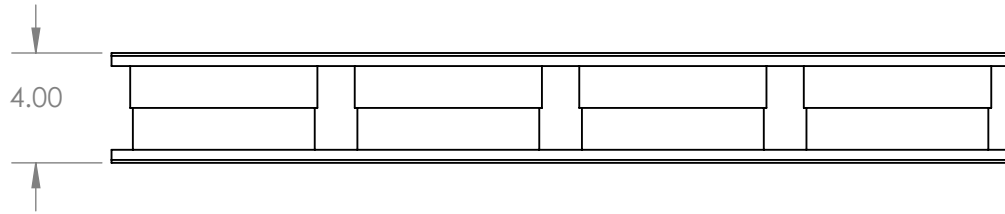
**Formex**<sup>®</sup>  
 manufacturing, inc.

TITLE:  
**TERMINATOR**

SIZE	DWG. NO.	REV
<b>A</b>	FX-3753-A	<b>A</b>

SCALE: 1:7 SHEET 310 OF 314

# T6A4-1515-4SW



**PROPRIETARY AND CONFIDENTIAL**  
 THE INFORMATION CONTAINED IN THIS DRAWING IS THE SOLE PROPERTY OF FORMEX MANUFACTURING. ANY REPRODUCTION IN PART OR AS A WHOLE WITHOUT THE WRITTEN PERMISSION OF FORMEX MANUFACTURING IS PROHIBITED.

UNLESS OTHERWISE SPECIFIED:		NAME	DATE
DIMENSIONS ARE IN INCHES	DRAWN	HKF	6/28/2024
TOLERANCES:	CHECKED		
FRACTIONAL $\pm 1/32"$	ENG APPR.		
ANGULAR: $\pm 2^\circ$	MFG APPR.		
TWO PLACE DECIMAL $\pm 0.03"$	Q.A.		
THREE PLACE DECIMAL $\pm 0.010"$	COMMENTS:		
INTERPRET GEOMETRIC TOLERANCING PER:			
MATERIAL			
ABS			
FINISH			
GRAY / SMOOTH			
DO NOT SCALE DRAWING			

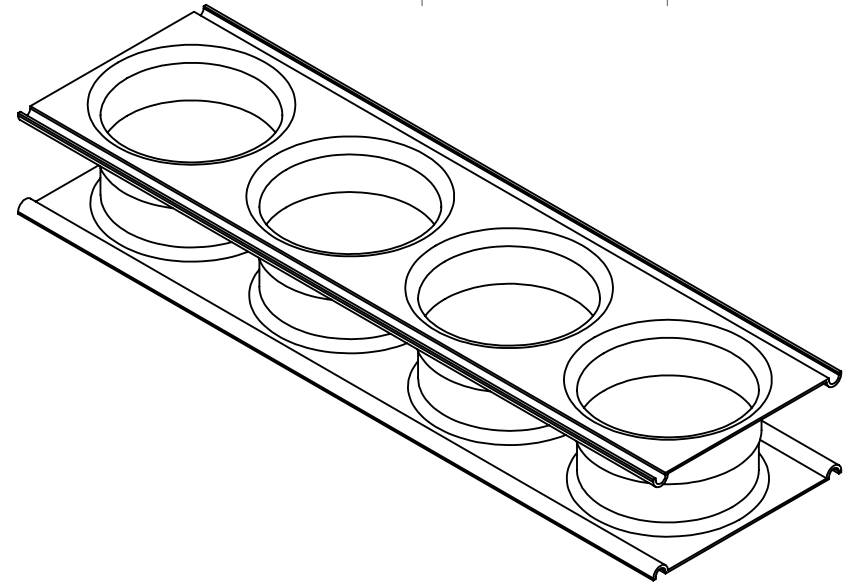
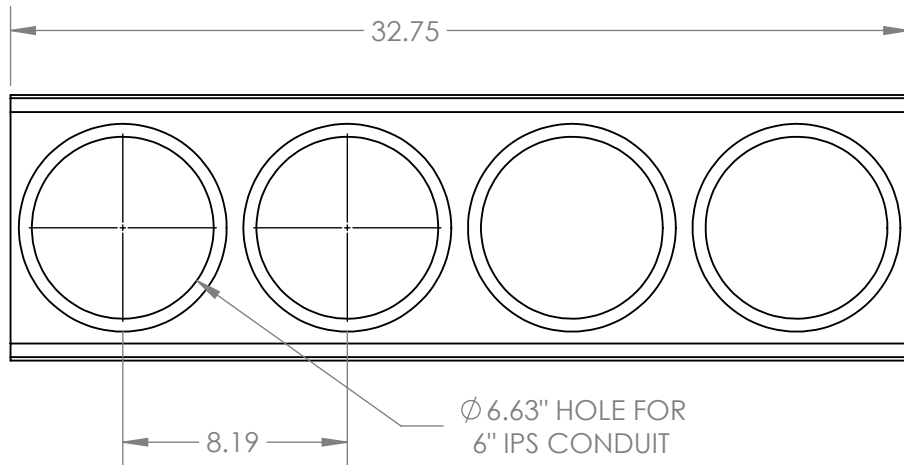
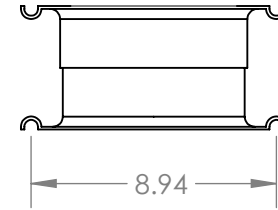
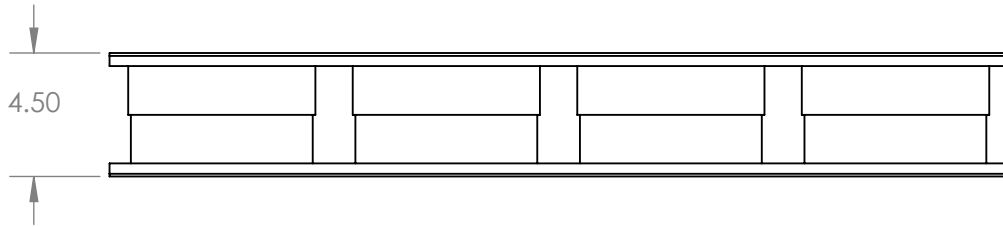
**Formex**<sup>®</sup>  
 manufacturing, inc.

TITLE:  
**TERMINATOR**

SIZE	DWG. NO.	REV
<b>A</b>	FX-3753-A	<b>A</b>

SCALE: 1:7 SHEET 311 OF 314

# T6A4-1515-4 1/2SW



**PROPRIETARY AND CONFIDENTIAL**  
 THE INFORMATION CONTAINED IN THIS DRAWING IS THE SOLE PROPERTY OF FORMEX MANUFACTURING. ANY REPRODUCTION IN PART OR AS A WHOLE WITHOUT THE WRITTEN PERMISSION OF FORMEX MANUFACTURING IS PROHIBITED.

UNLESS OTHERWISE SPECIFIED:		NAME	DATE
DIMENSIONS ARE IN INCHES TOLERANCES: FRACTIONAL ±1/32" ANGULAR: ±2° TWO PLACE DECIMAL ±0.03" THREE PLACE DECIMAL ±0.010"	DRAWN	HKF	6/28/2024
	CHECKED		
	ENG APPR.		
	MFG APPR.		
INTERPRET GEOMETRIC TOLERANCING PER:	Q.A.		
MATERIAL ABS	COMMENTS:		
FINISH GRAY / SMOOTH			
DO NOT SCALE DRAWING			

**Formex**<sup>®</sup>  
 manufacturing, inc.

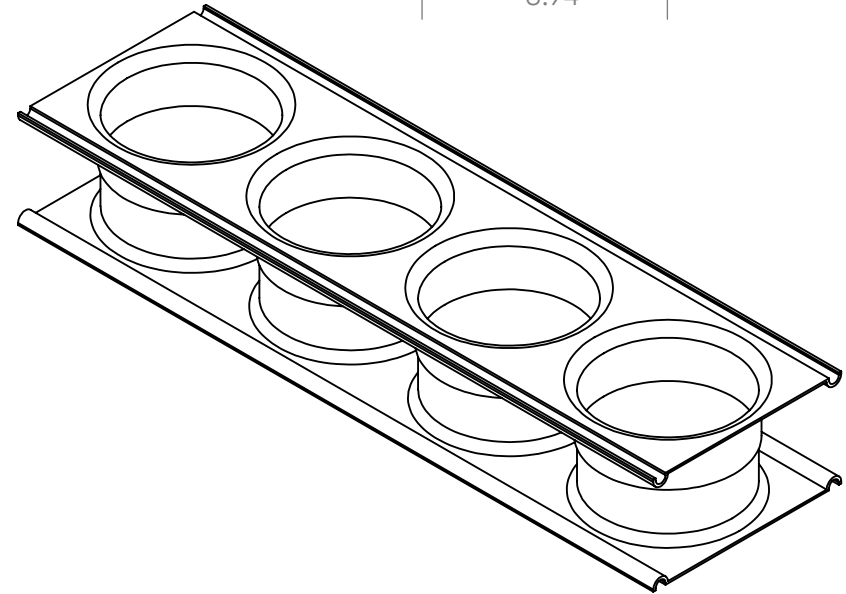
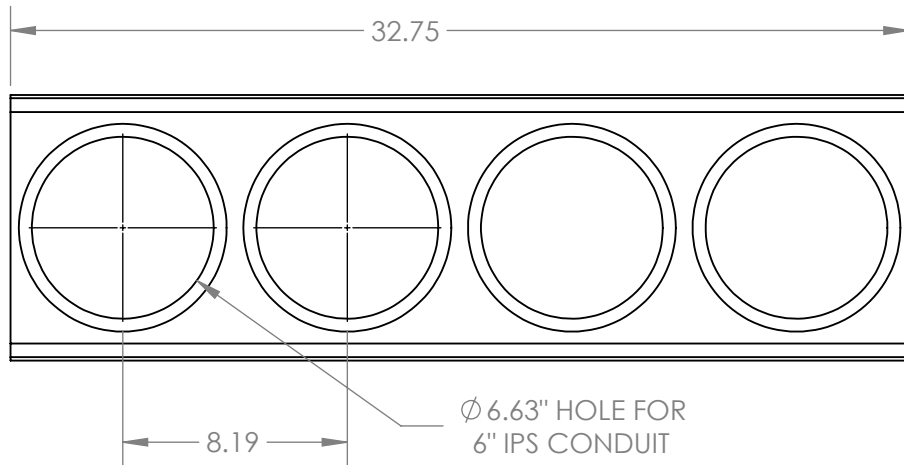
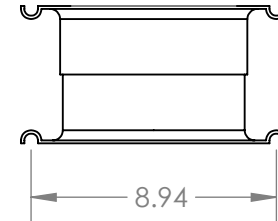
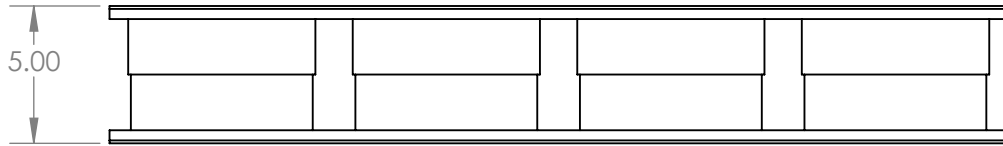
TITLE:  
**TERMINATOR**

SIZE <b>A</b>	DWG. NO. FX-3753-A	REV <b>A</b>
------------------	-----------------------	-----------------

SCALE: 1:7 SHEET 312 OF 314



# T6A4-1515-5SW



**PROPRIETARY AND CONFIDENTIAL**  
 THE INFORMATION CONTAINED IN THIS DRAWING IS THE SOLE PROPERTY OF FORMEX MANUFACTURING. ANY REPRODUCTION IN PART OR AS A WHOLE WITHOUT THE WRITTEN PERMISSION OF FORMEX MANUFACTURING IS PROHIBITED.

UNLESS OTHERWISE SPECIFIED:		NAME	DATE
DIMENSIONS ARE IN INCHES TOLERANCES: FRACTIONAL $\pm 1/32"$ ANGULAR: $\pm 2^\circ$ TWO PLACE DECIMAL $\pm 0.03"$ THREE PLACE DECIMAL $\pm 0.010"$	DRAWN	HKF	6/28/2024
	CHECKED		
	ENG APPR.		
	MFG APPR.		
INTERPRET GEOMETRIC TOLERANCING PER:	Q.A.		
MATERIAL ABS	COMMENTS:		
FINISH GRAY / SMOOTH			
DO NOT SCALE DRAWING			

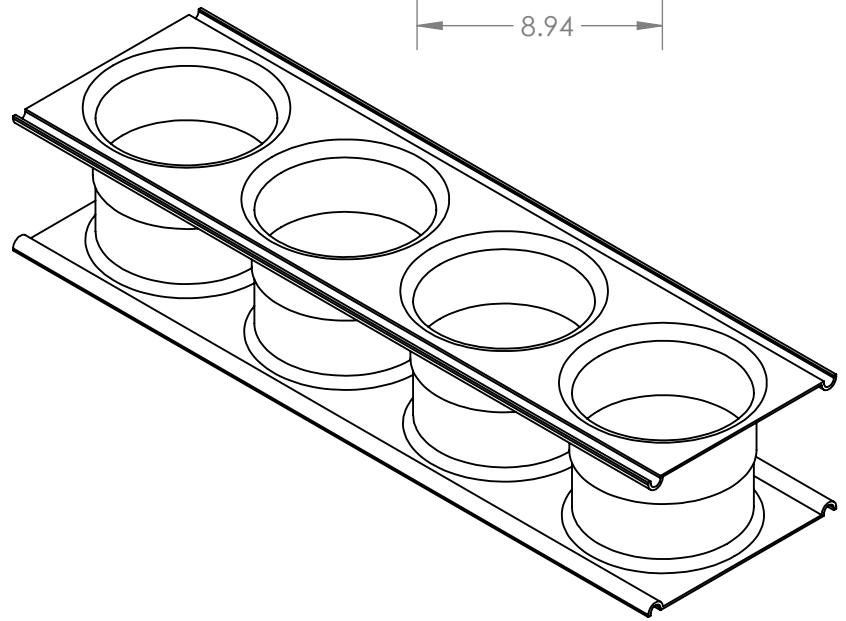
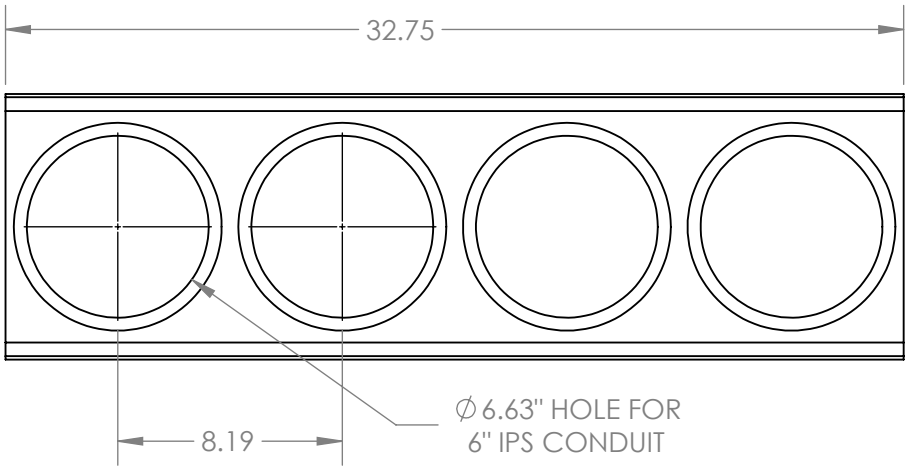
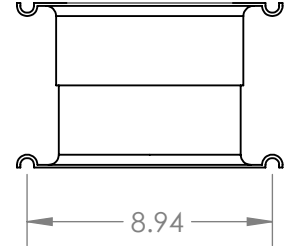
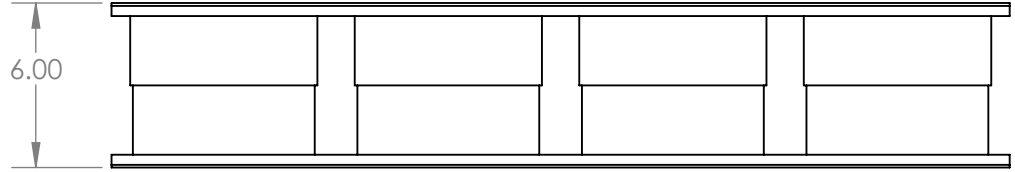
**Formex**<sup>®</sup>  
 manufacturing, inc.

TITLE:  
**TERMINATOR**

SIZE <b>A</b>	DWG. NO. FX-3753-A	REV <b>A</b>
------------------	-----------------------	-----------------

SCALE: 1:7 SHEET 313 OF 314

# T6A4-1515-6SW



**PROPRIETARY AND CONFIDENTIAL**  
 THE INFORMATION CONTAINED IN THIS DRAWING IS THE SOLE PROPERTY OF FORMEX MANUFACTURING. ANY REPRODUCTION IN PART OR AS A WHOLE WITHOUT THE WRITTEN PERMISSION OF FORMEX MANUFACTURING IS PROHIBITED.

UNLESS OTHERWISE SPECIFIED:	NAME	DATE
DIMENSIONS ARE IN INCHES	DRAWN	HKF 6/28/2024
TOLERANCES:	CHECKED	
FRACTIONAL ±1/32"	ENG APPR.	
ANGULAR: ±2°	MFG APPR.	
TWO PLACE DECIMAL ±0.03"	Q.A.	
THREE PLACE DECIMAL ±0.010"	COMMENTS:	
INTERPRET GEOMETRIC TOLERANCING PER:		
MATERIAL		
ABS		
FINISH		
GRAY / SMOOTH		
DO NOT SCALE DRAWING		

**Formex**<sup>®</sup>  
 manufacturing, inc.

TITLE:  
**TERMINATOR**

SIZE	DWG. NO.	REV
<b>A</b>	FX-3753-A	<b>A</b>

SCALE: 1:7 SHEET 314 OF 314